



US00D344112S

# United States Patent [19]

[11] Patent Number: **Des. 344,112**

Smith

[45] Date of Patent: **\*\* Feb. 8, 1994**

[54] **PHYSICAL EXERCISER**

[76] Inventor: **Gary H. Smith**, 40 North State, Apt. 8D, Salt Lake City, Utah 84103

[\*\*] Term: **14 Years**

[21] Appl. No.: **896,475**

[22] Filed: **Jun. 8, 1992**

[52] U.S. Cl. .... **D21/195**

[58] Field of Search ..... 482/51, 57, 62, 72, 482/95, 96, 137; D21/191, 194, 195

[56] **References Cited**

**U.S. PATENT DOCUMENTS**

D. 193,437	8/1962	Pelham .....	D21/195
D. 216,903	3/1970	Rubel .....	D21/195
2,145,940	2/1939	Marlowe .....	482/72
2,642,288	6/1953	Bell .....	482/96
3,380,737	4/1968	Elia .....	482/95

4,300,760	11/1981	Bobroff .....	482/96
4,641,833	2/1987	Trethewey .....	482/72
4,743,010	5/1988	Geraci .....	482/95

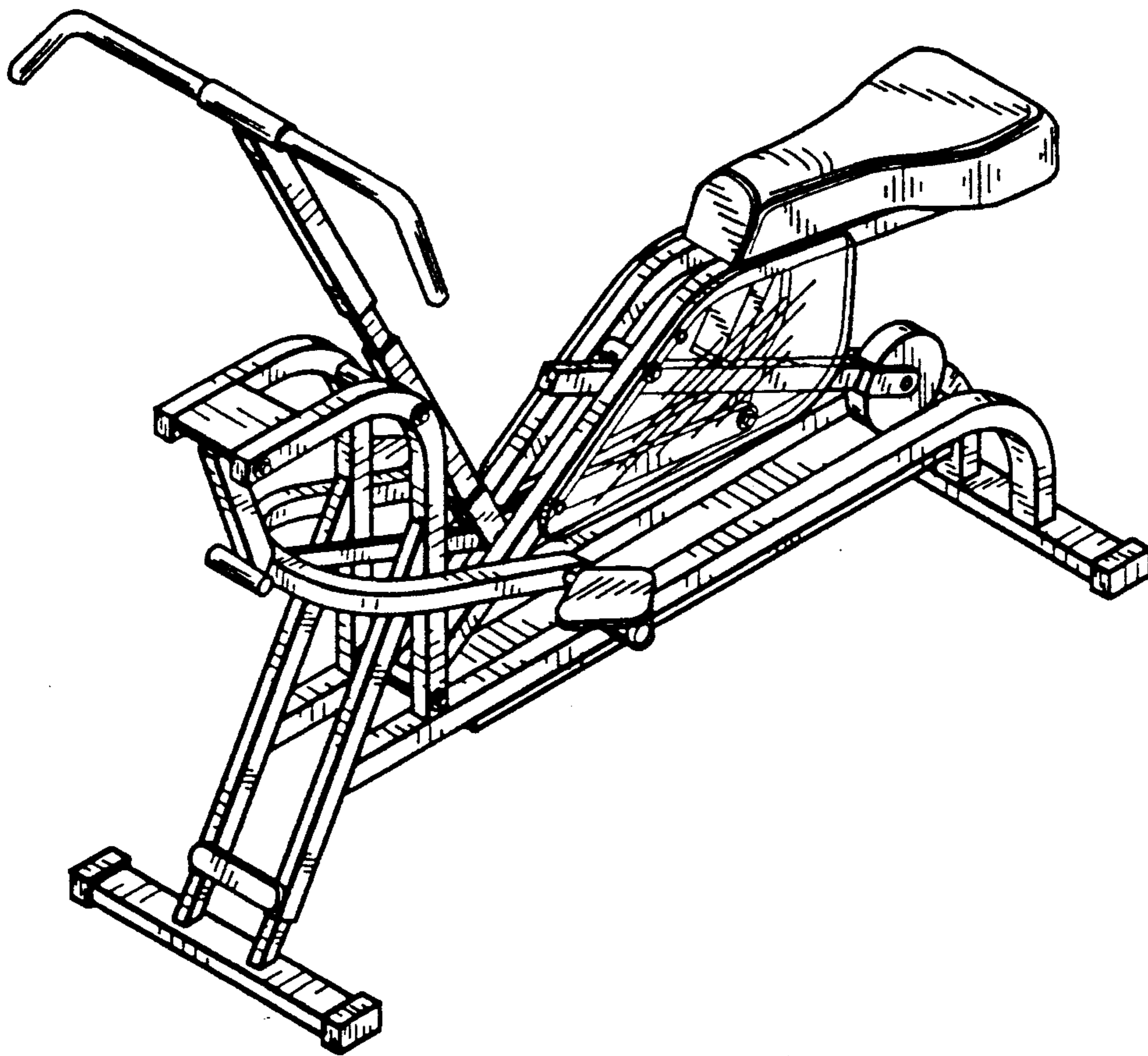
*Primary Examiner*—Bernard Ansher  
*Assistant Examiner*—Philip Hyder  
*Attorney, Agent, or Firm*—Thorpe, North & Western

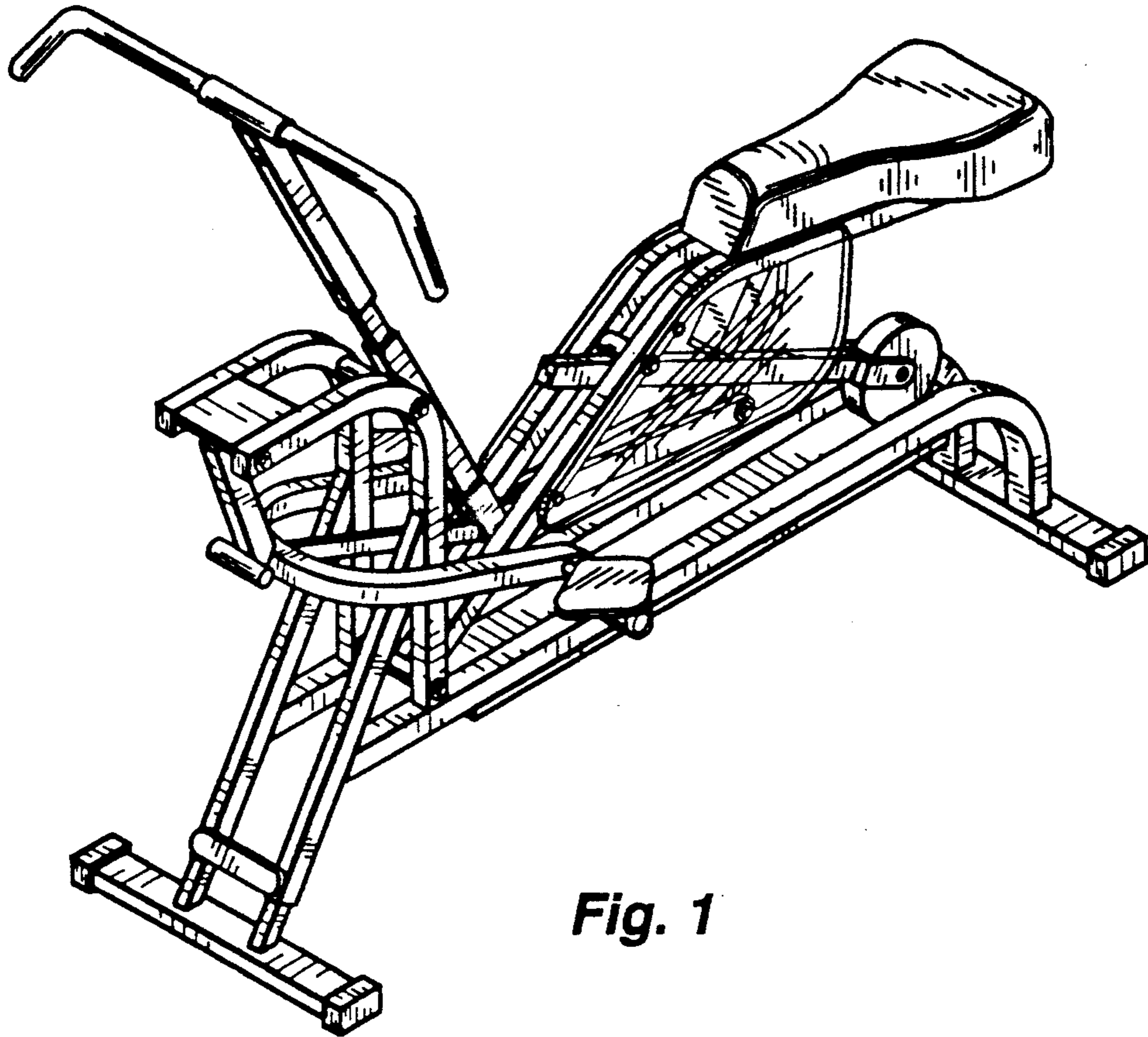
[57] **CLAIM**

The ornamental design for a physical exerciser, as shown and described.

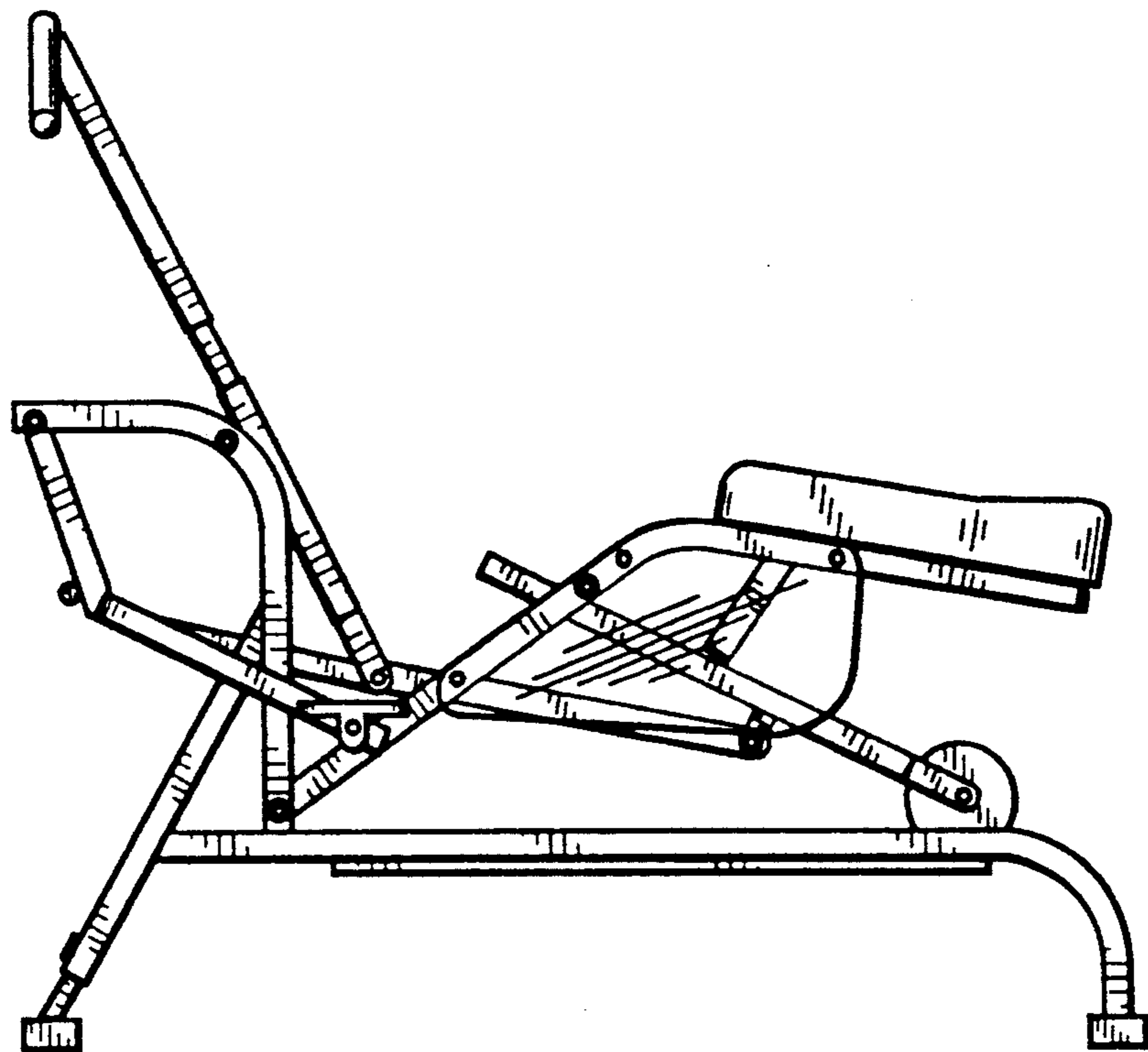
**DESCRIPTION**

FIG. 1 is a perspective view of the physical exerciser showing my new design;  
FIG. 2 is a right side view thereof;  
FIG. 3 is a front view thereof;  
FIG. 4 is a rear view thereof;  
FIG. 5 is a top plan view thereof; and,  
FIG. 6 is a bottom plan view thereof.

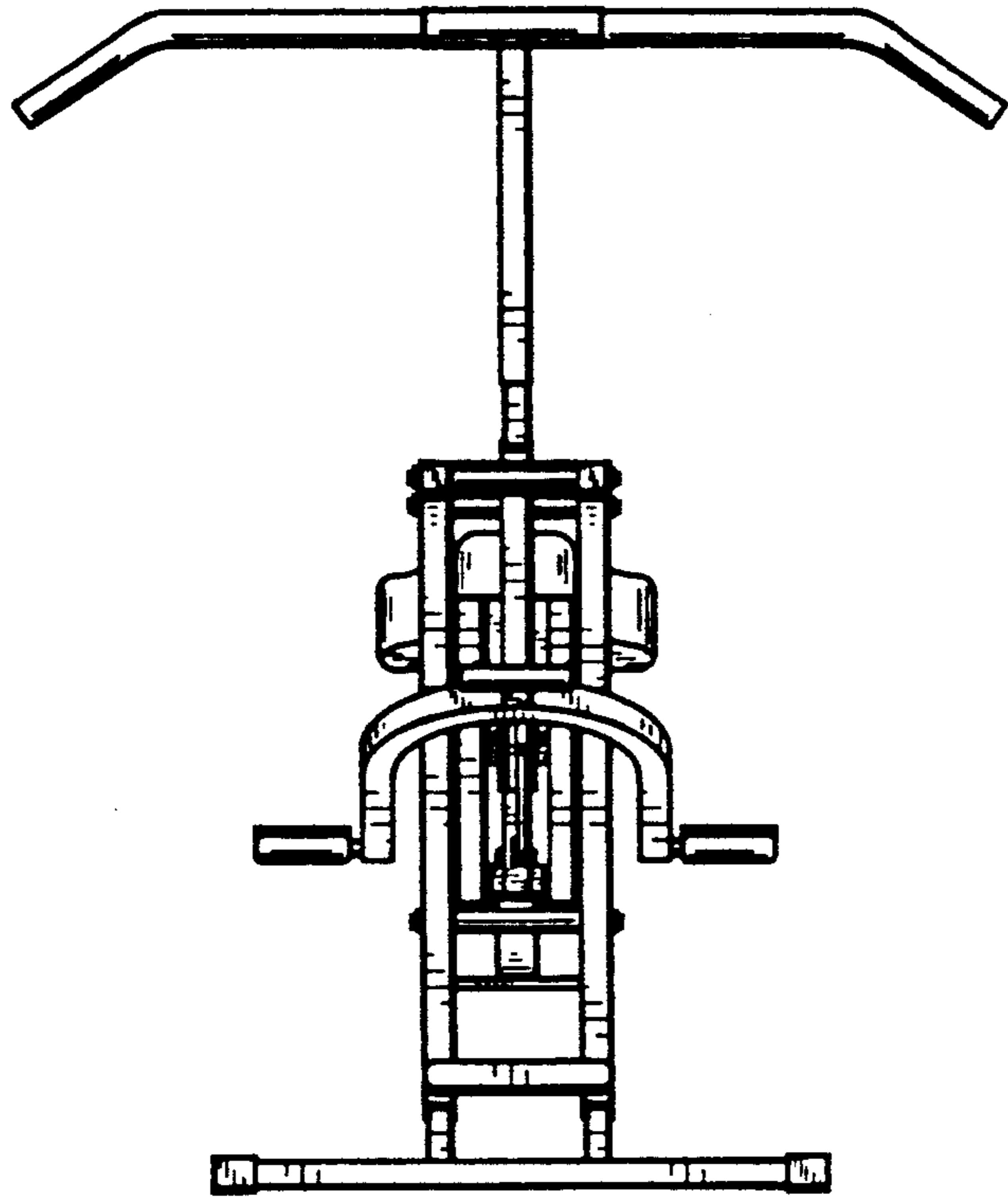




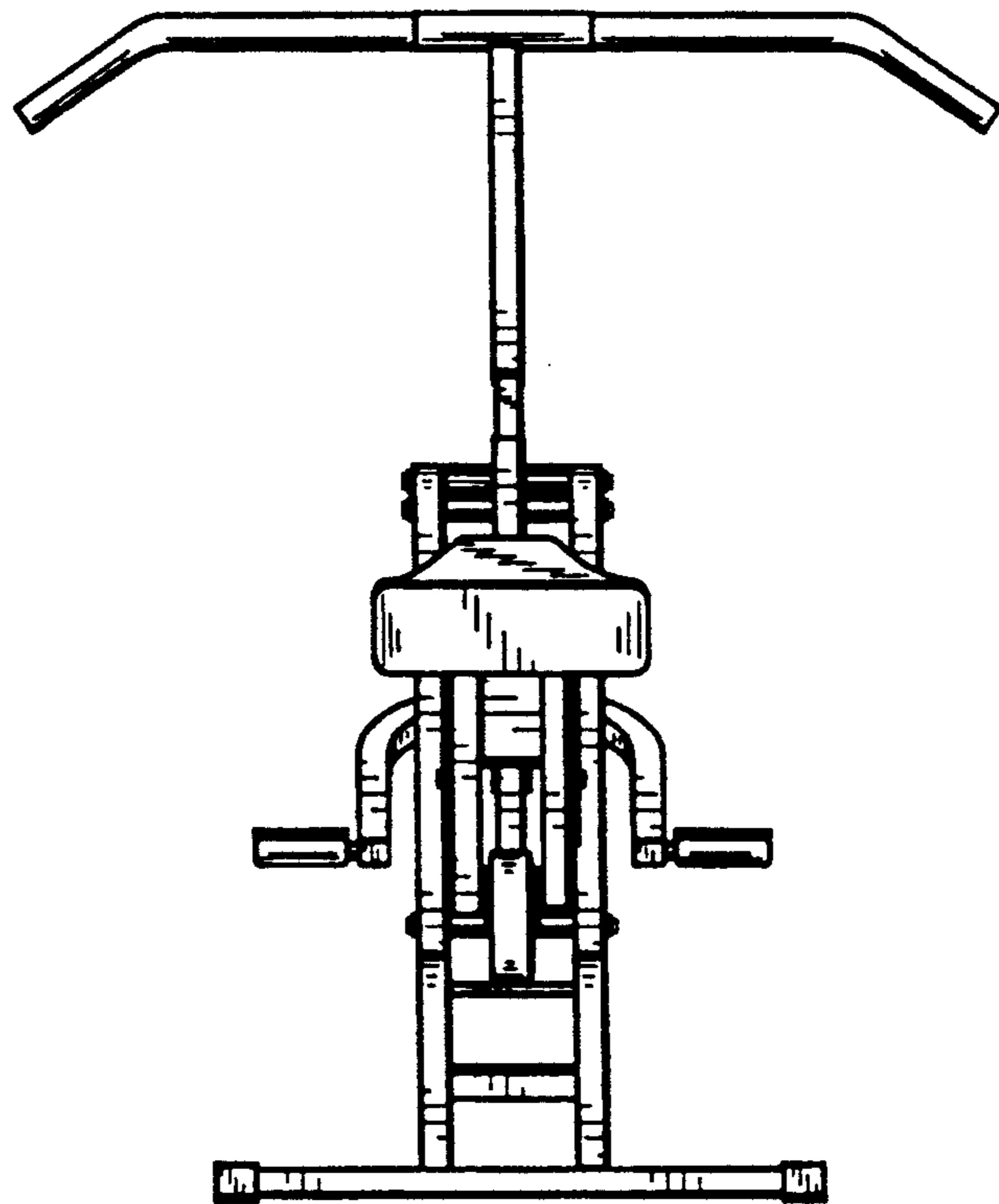
*Fig. 1*



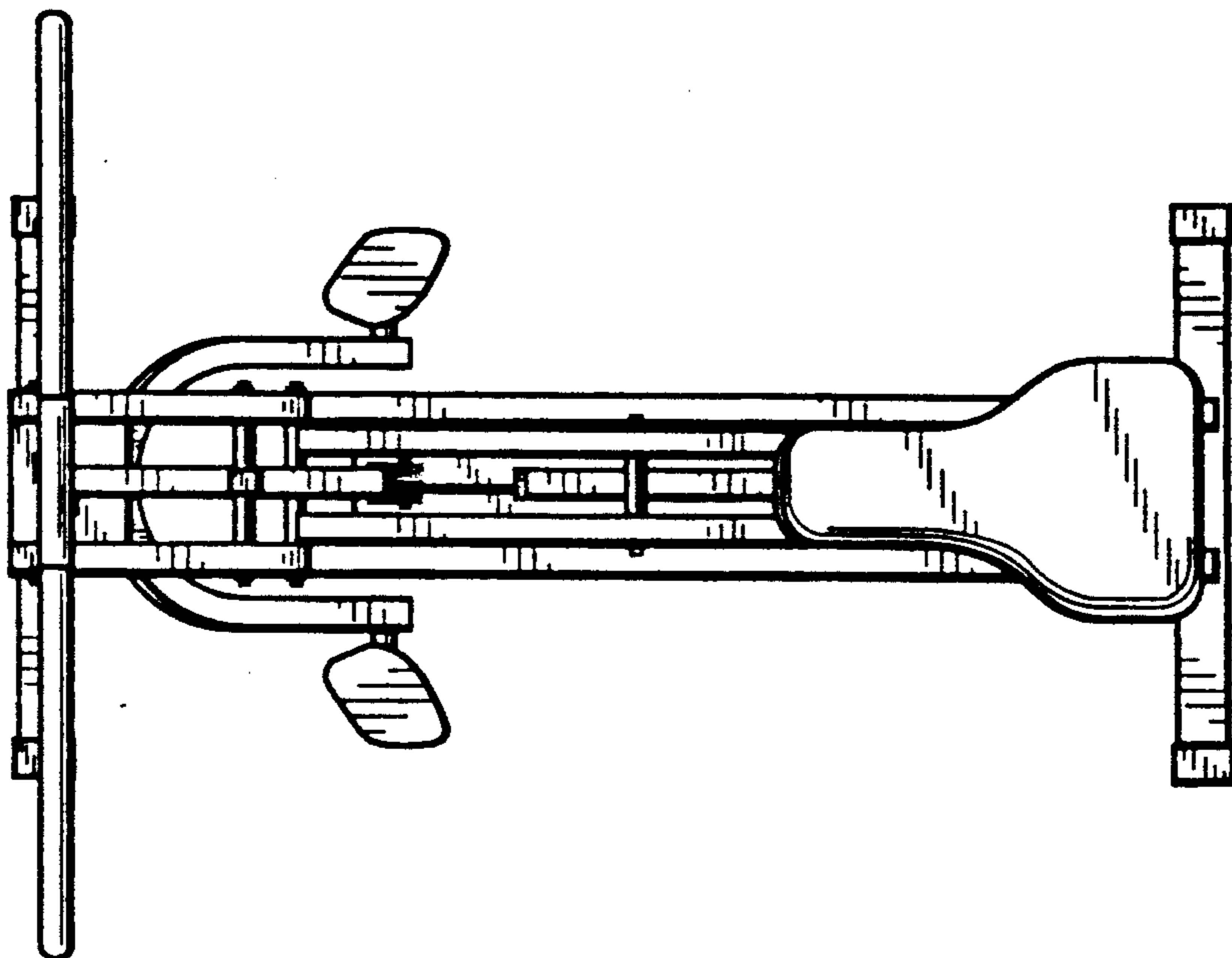
*Fig. 2*



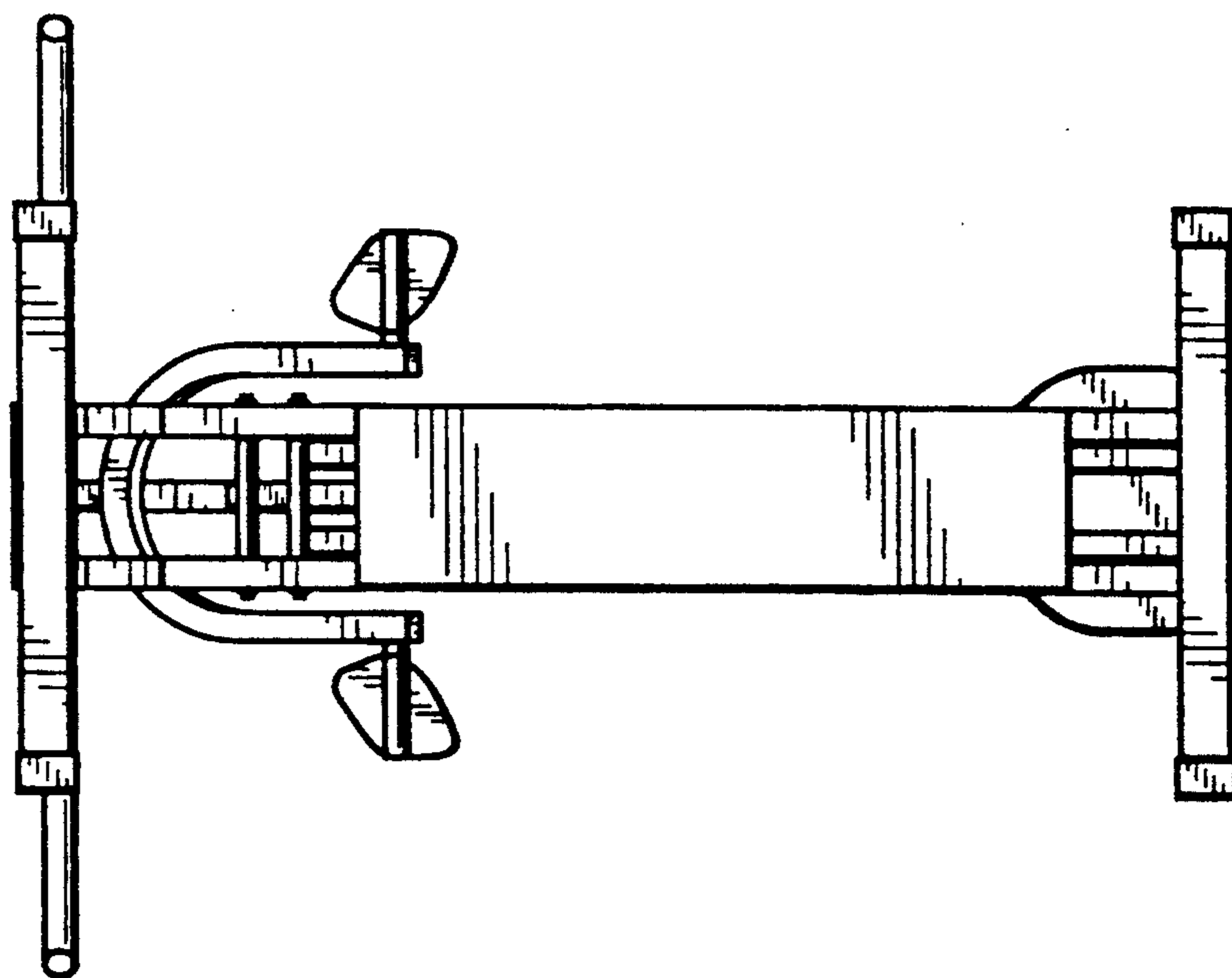
**Fig. 3**



**Fig. 4**



*Fig. 5*



*Fig. 6*

UNITED STATES PATENT AND TRADEMARK OFFICE  
**CERTIFICATE OF CORRECTION**

PATENT NO. : Des. 344,112

Page 1 of 5

DATED : February 8, 1994

INVENTOR(S) : Gary J. Smith

It is certified that error appears in the above-identified patent and that said Letters Patent is hereby corrected as shown below:

The Drawing Sheets consisting of Figs. 1-6, should be deleted to be replaced with the drawing sheets, consisting of Figs. 1-6, as shown on the attached pages.

The title page, should be deleted to appear as per attached title page.

Signed and Sealed this  
Twenty-sixth Day of December, 1995

Attest:



BRUCE LEHMAN

Attesting Officer

Commissioner of Patents and Trademarks

# United States Patent [19] Smith

[11] Patent Number: Des. 344,112

[45] Date of Patent: \*\* Feb. 8, 1994

[54] **PHYSICAL EXERCISER**

[76] Inventor: **Gary H. Smith, 40 North State, Apt. 8D, Salt Lake City, Utah 84103**

[\*\*] Term: **14 Years**

[21] Appl. No.: **896,475**

[22] Filed: **Jun. 8, 1992**

[52] U.S. Cl. .... **D21/195**

[58] Field of Search ..... **482/51, 57, 62, 72, 482/95, 96, 137; D21/191, 194, 195**

4,300,760 11/1981 Bobroff ..... 482/96  
 4,641,833 2/1987 Trethewey ..... 482/72  
 4,743,010 5/1988 Geraci ..... 482/95

*Primary Examiner*—Bernard Ansher  
*Assistant Examiner*—Philip Hyder  
*Attorney, Agent, or Firm*—Thorpe, North & Western

[57] **CLAIM**

The ornamental design for a physical exerciser, as shown and described.

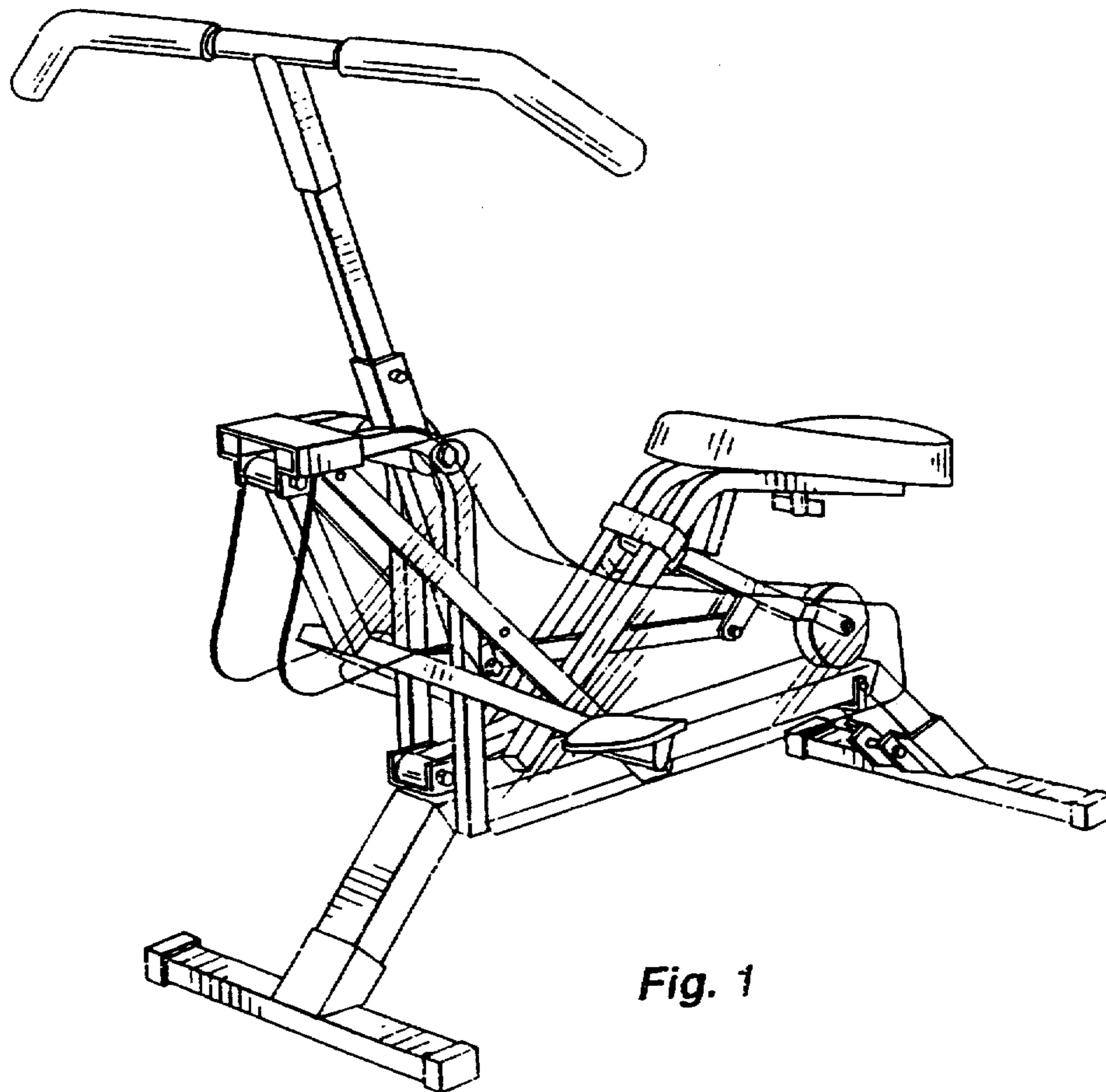
**DESCRIPTION**

FIG. 1 is a perspective view of the physical exerciser showing my new design;  
 FIG. 2 is a right side view thereof;  
 FIG. 3 is a front view thereof;  
 FIG. 4 is a rear view thereof;  
 FIG. 5 is a top plan view thereof; and,  
 FIG. 6 is a bottom plan view thereof.

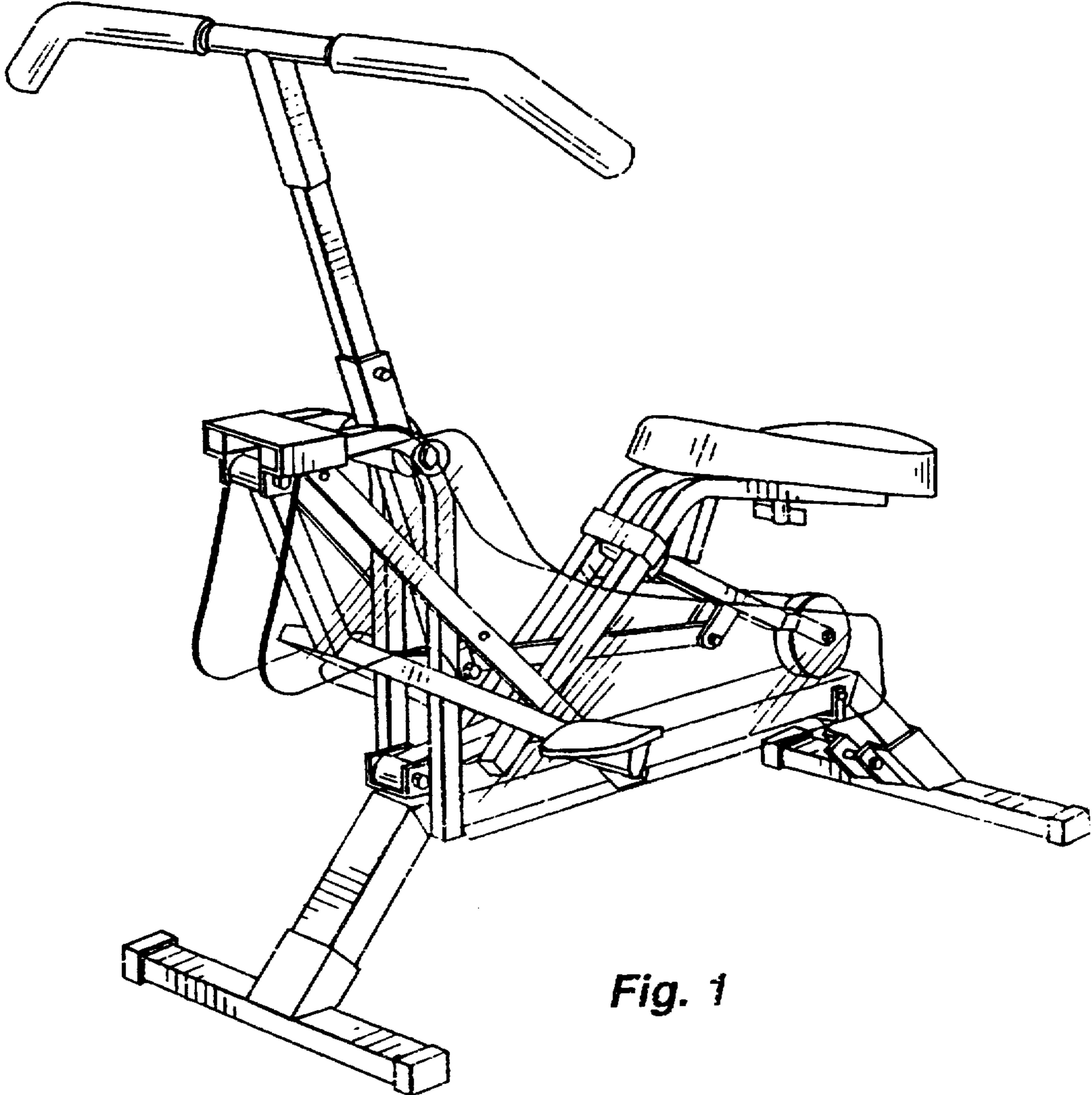
[56] **References Cited**

**U.S. PATENT DOCUMENTS**

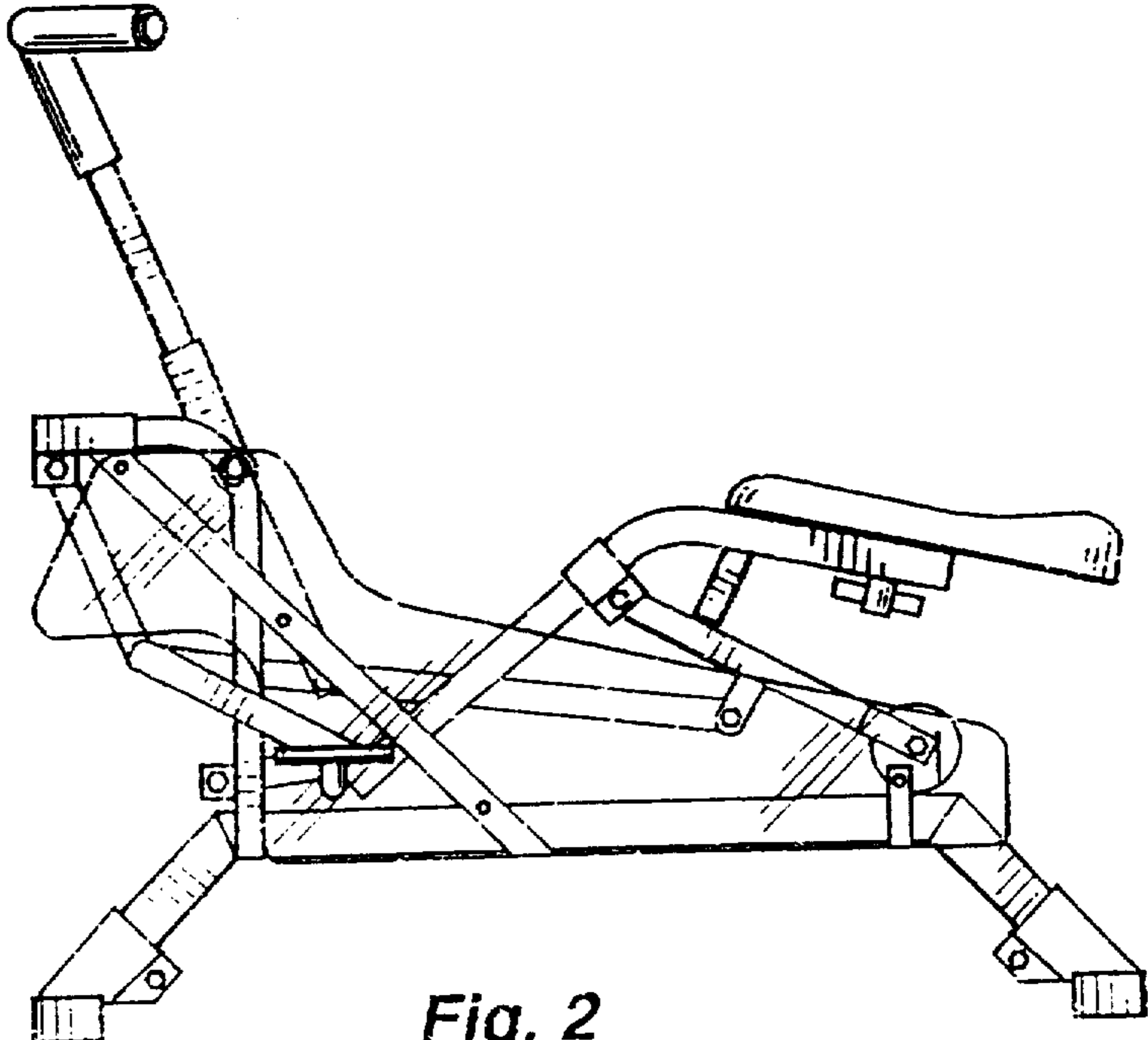
D. 193,437	8/1962	Pelham	.....	D21/195
D. 216,903	3/1970	Rubel	.....	D21/195
2,145,940	2/1939	Marlowe	.....	482/72
2,642,288	6/1953	Bell	.....	482/96
3,380,737	4/1968	Elia	.....	482/95



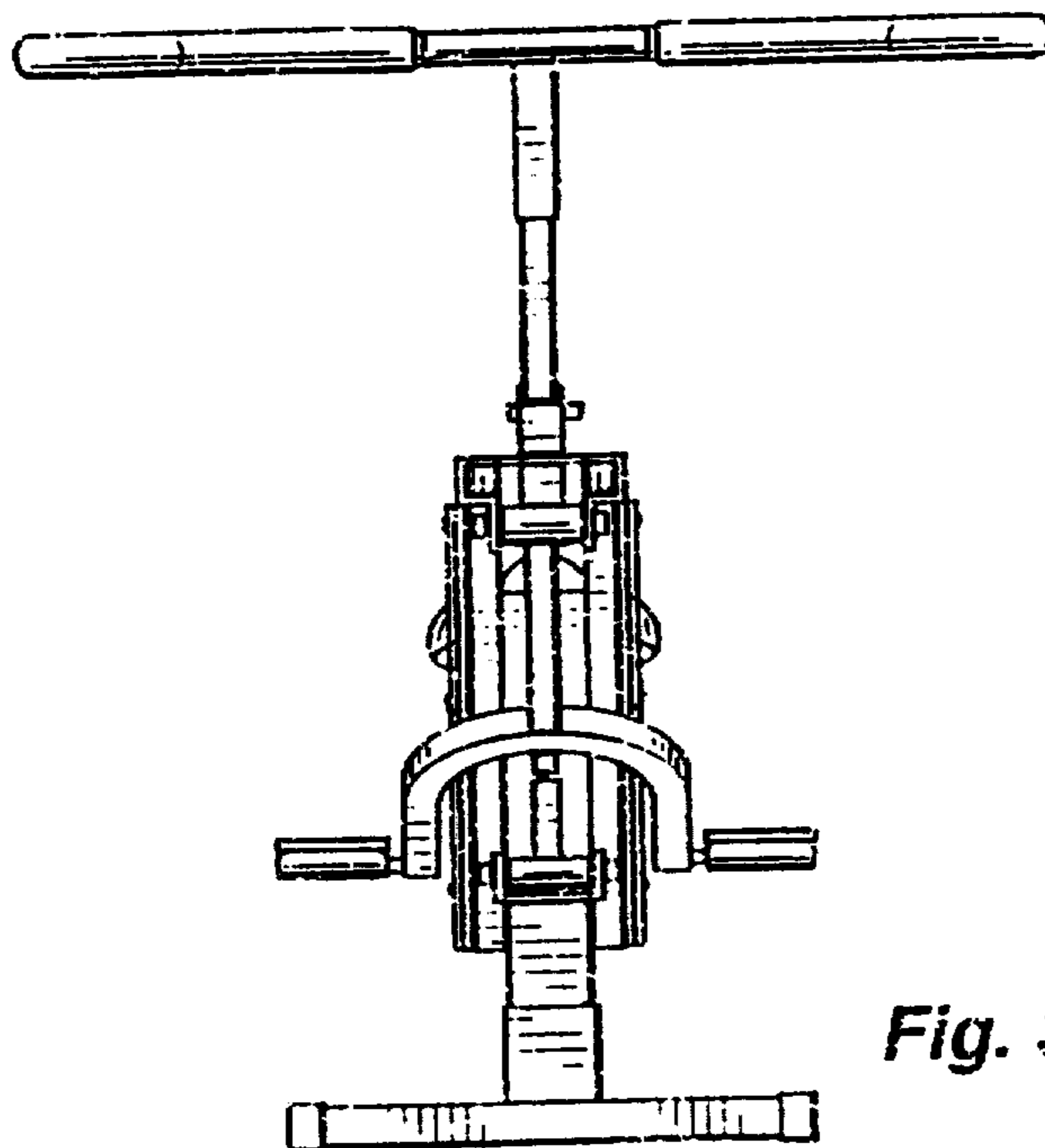
**Fig. 1**



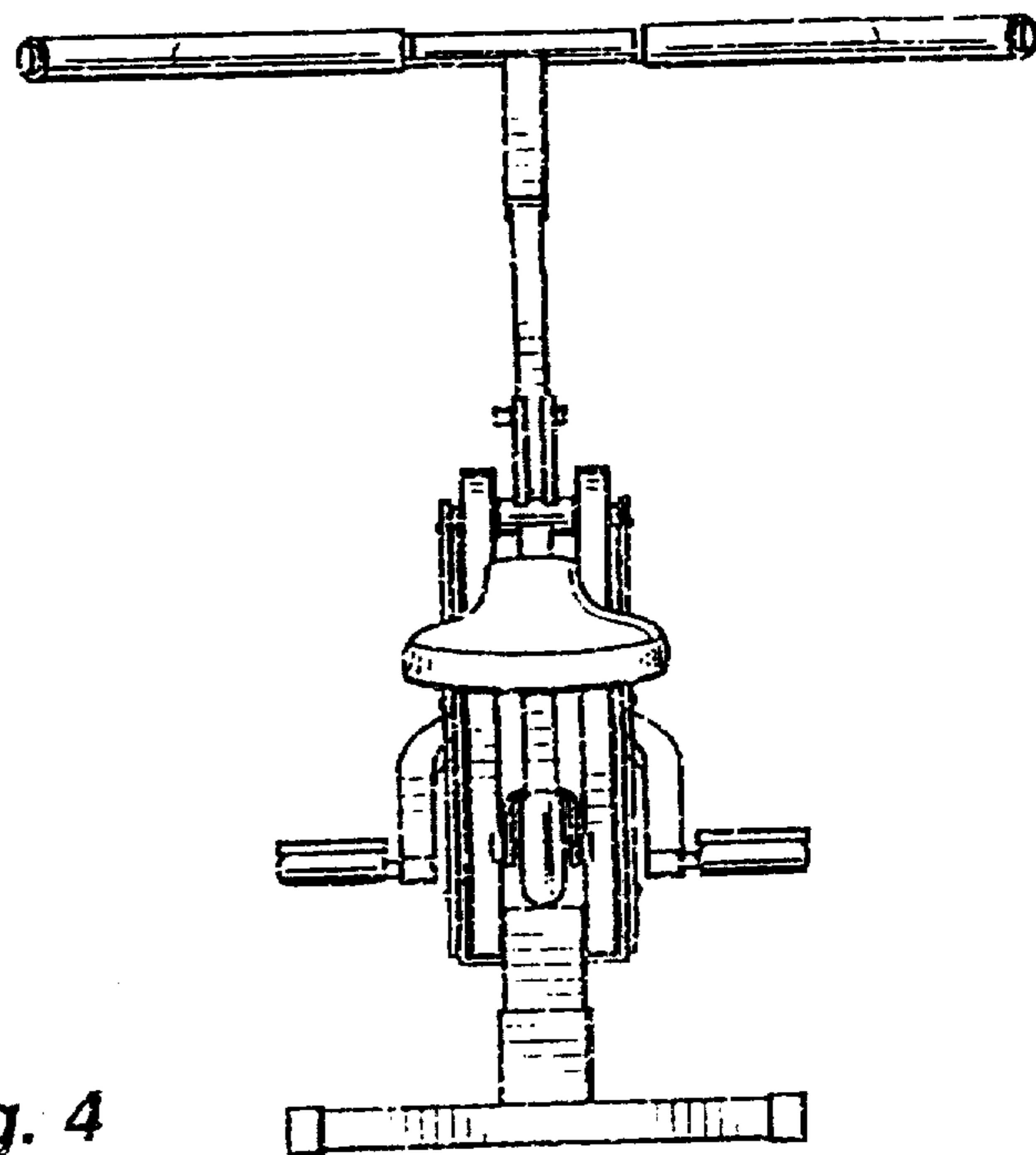
**Fig. 1**



**Fig. 2**

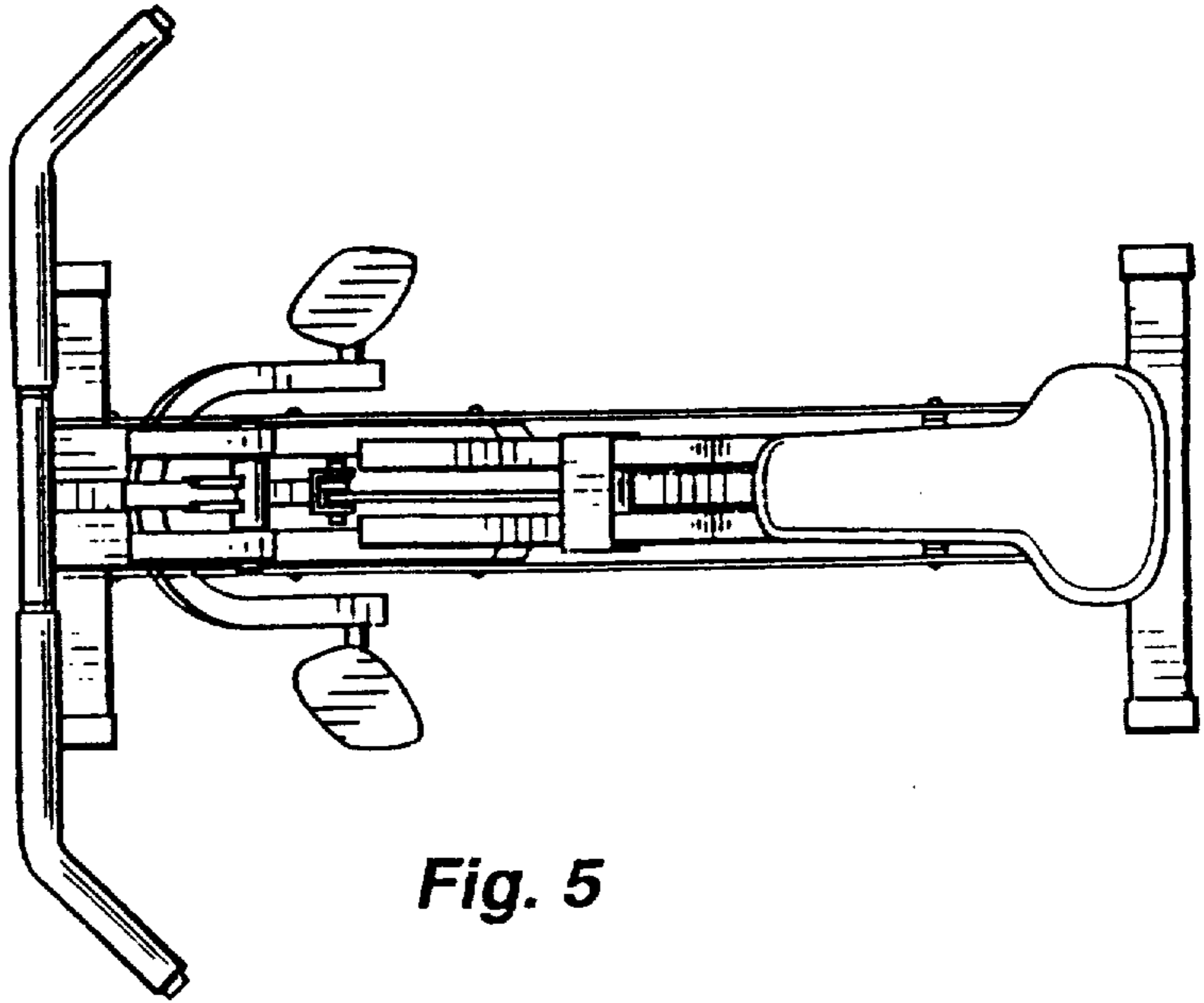


*Fig. 3*

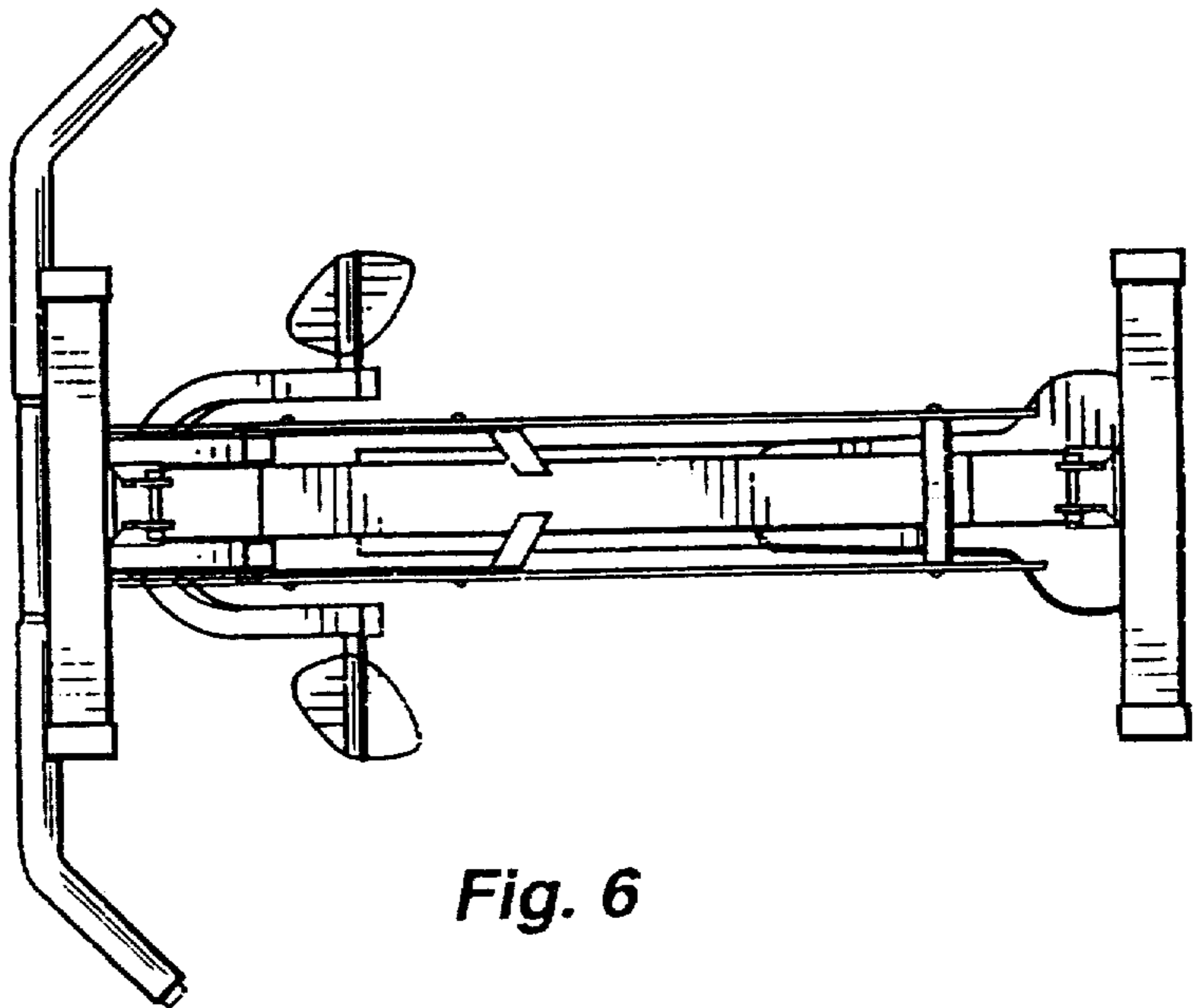


*Fig. 4*





**Fig. 5**



**Fig. 6**