



US00D344108S

United States Patent [19]

[11] Patent Number: **Des. 344,108**

Shirai et al.

[45] Date of Patent: **** Feb. 8, 1994**

[54] **GUN TYPE TOY**

[75] Inventors: **Ichiro Shirai; Kenichi Sugino**, both of Higashiyama, Japan

[73] Assignee: **Nintendo Company Limited**, Japan

[**] Term: **14 Years**

[21] Appl. No.: **817,409**

[22] Filed: **Jan. 6, 1992**

[30] **Foreign Application Priority Data**

Nov. 22, 1991 [JP] Japan 3-35279

[52] U.S. Cl. **D21/147**

[58] Field of Search 446/267, 473; 222/78, 222/79; 239/211, 329, 337, 373; D21/145, 146, 147; D23/225

[56] **References Cited**

U.S. PATENT DOCUMENTS

D. 194,323	1/1963	Robbins	D21/146
D. 206,542	12/1966	Ryan	D21/146
D. 207,172	3/1967	Ryan	D21/146
D. 290,153	6/1987	Reaume	D21/147
D. 303,130	8/1989	Noble	D21/146
3,397,484	8/1968	Ryan	446/473

OTHER PUBLICATIONS

Catalog of "Pro Beam" for use with Nintendo Entertainment System by Nintendo, published Nov. 1989.

Primary Examiner—Bernard Ansher

Assistant Examiner—R. Barkai

Attorney, Agent, or Firm—Nixon & Vanderhye

[57] **CLAIM**

The ornamental design for a gun type toy, as shown and described.

DESCRIPTION

FIG. 1 is a right, front perspective view showing a main embodiment;

FIG. 2 is a right, rear perspective view showing the main embodiment;

FIG. 3 is a front elevational view showing the main embodiment;

FIG. 4 is a rear elevational view showing the main embodiment;

FIG. 5 is a plan view showing the main embodiment;

FIG. 6 is a bottom view showing the main embodiment;

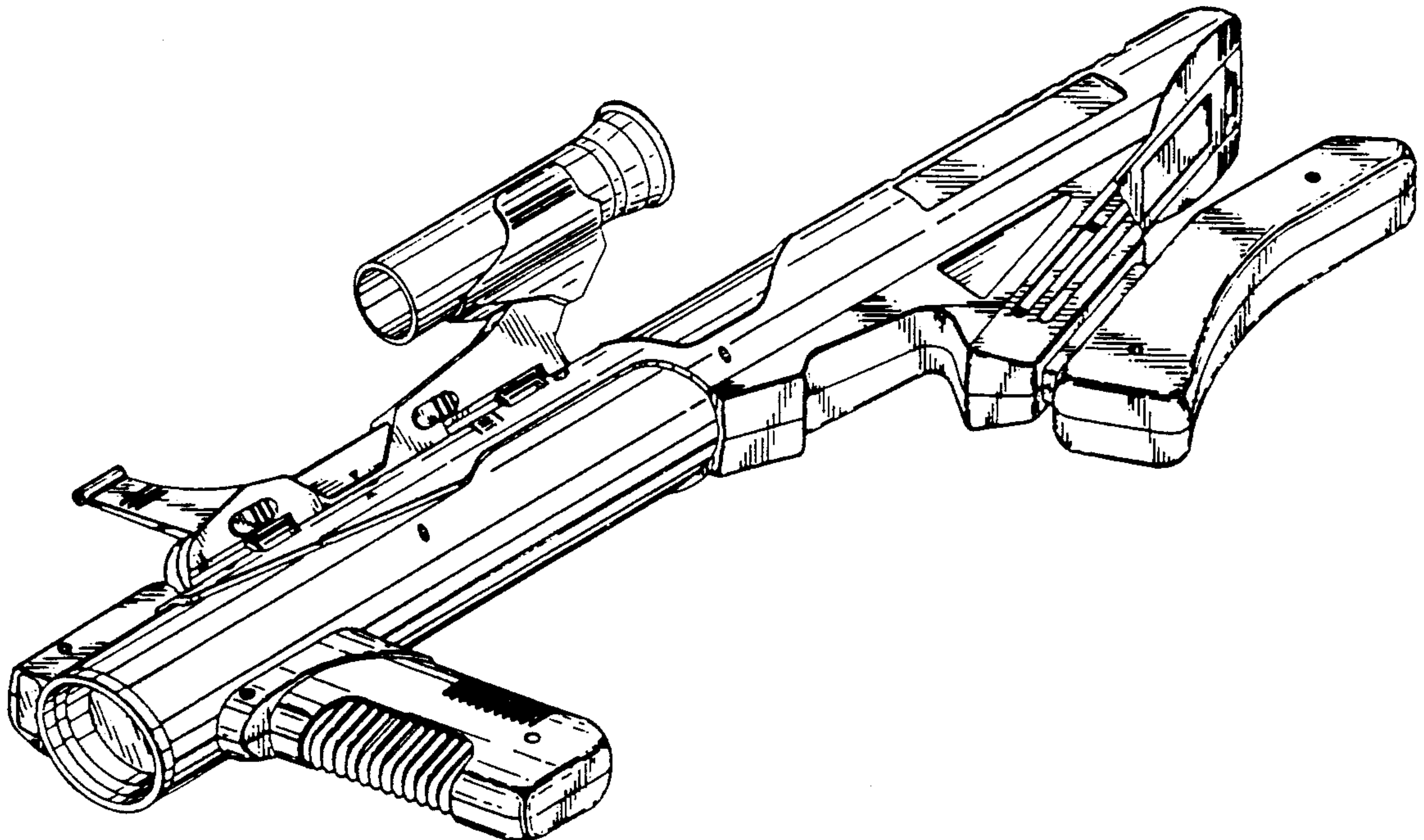
FIG. 7 is a right side view showing the main embodiment;

FIG. 8 is a left side view showing the main embodiment;

FIG. 9 is a right, front perspective view showing a second embodiment;

FIG. 10 is a right, front perspective view showing a third embodiment; and,

FIG. 11 is a right, front perspective view showing a fourth embodiment.



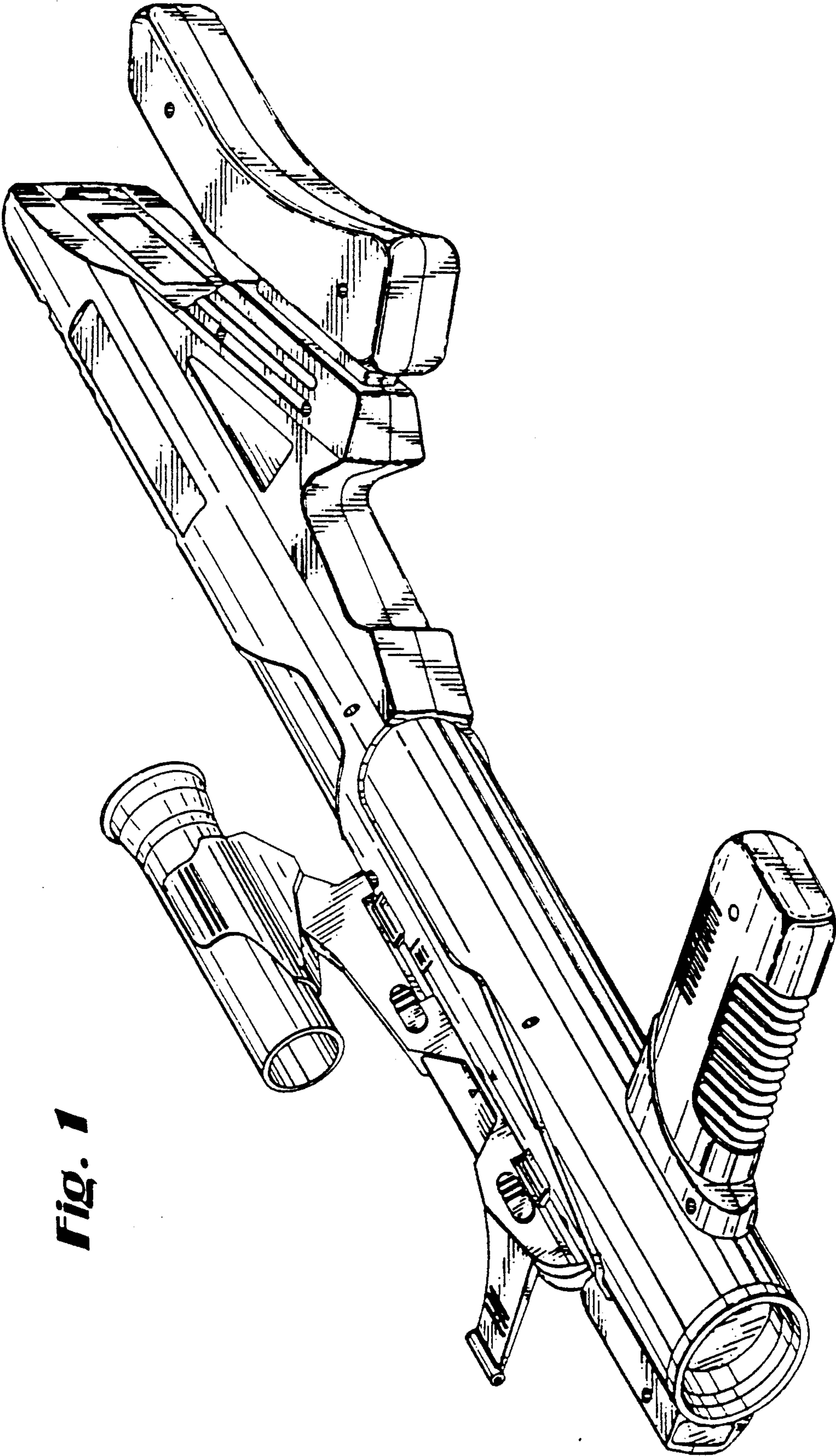


Fig. 1

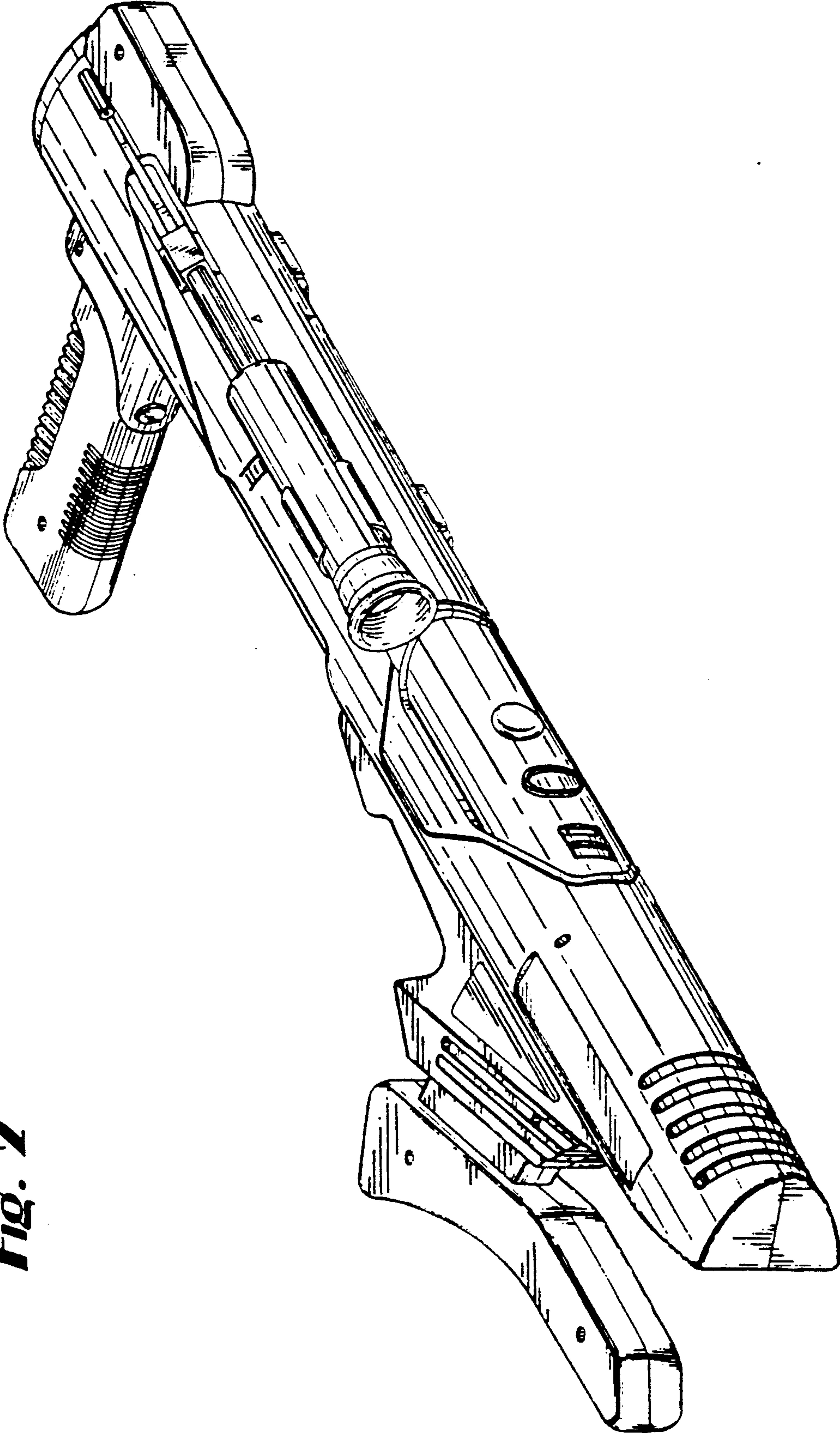


Fig. 2

Fig. 3

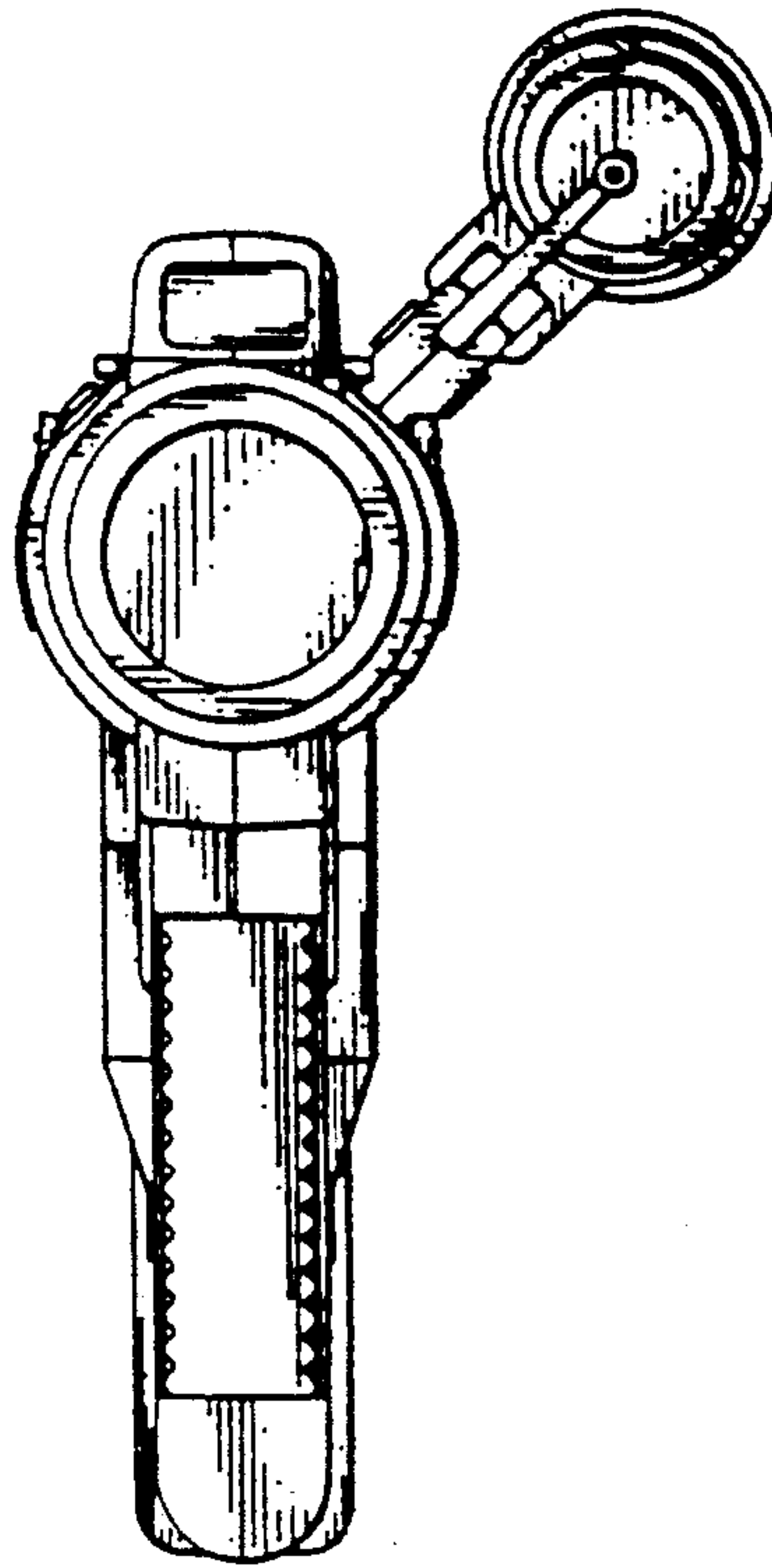


Fig. 4

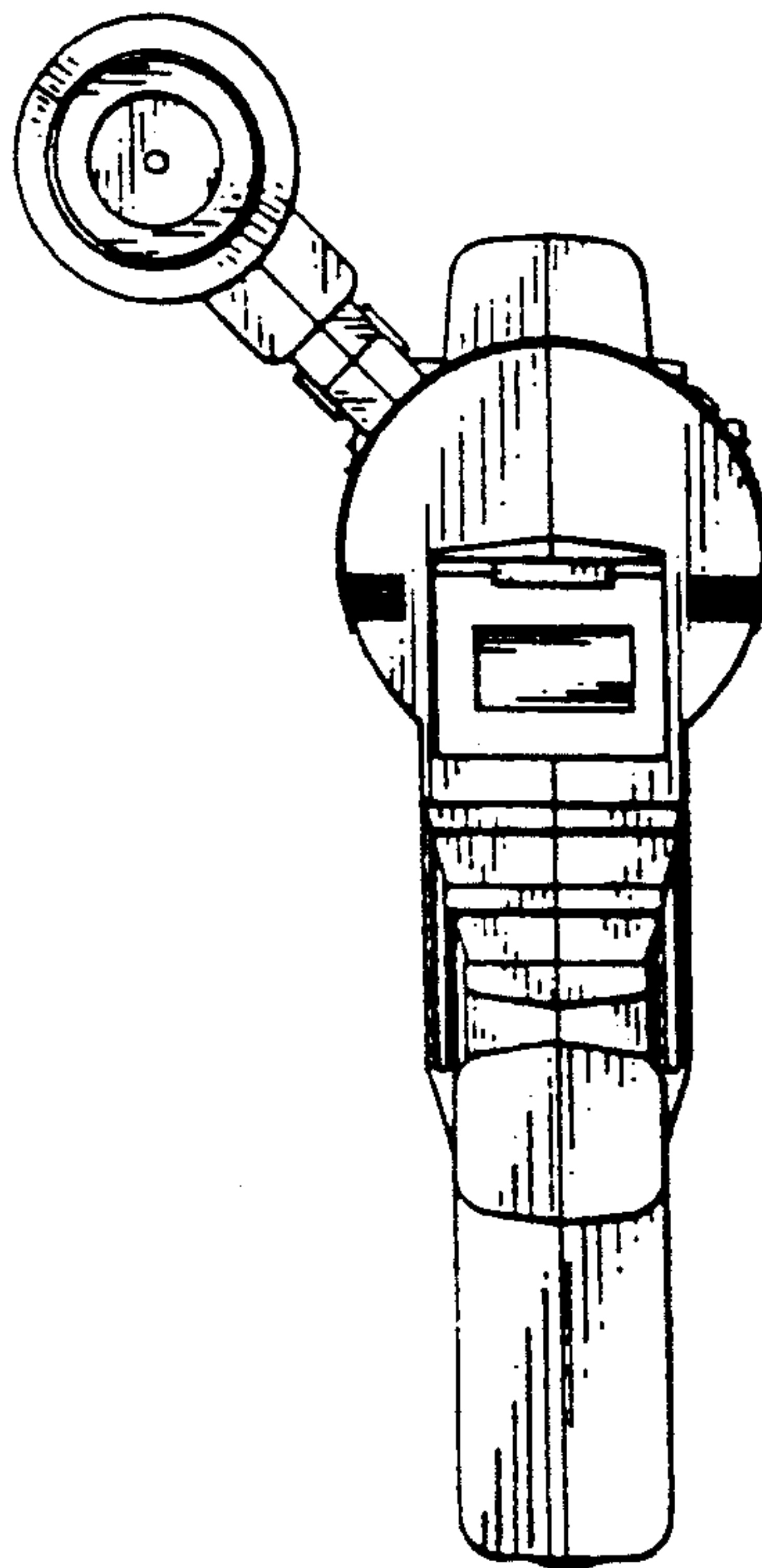


Fig. 5

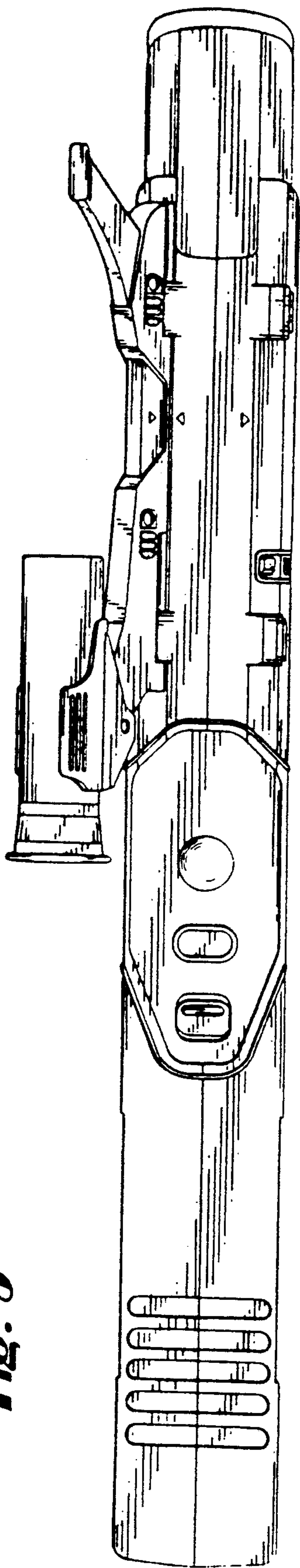


Fig. 6

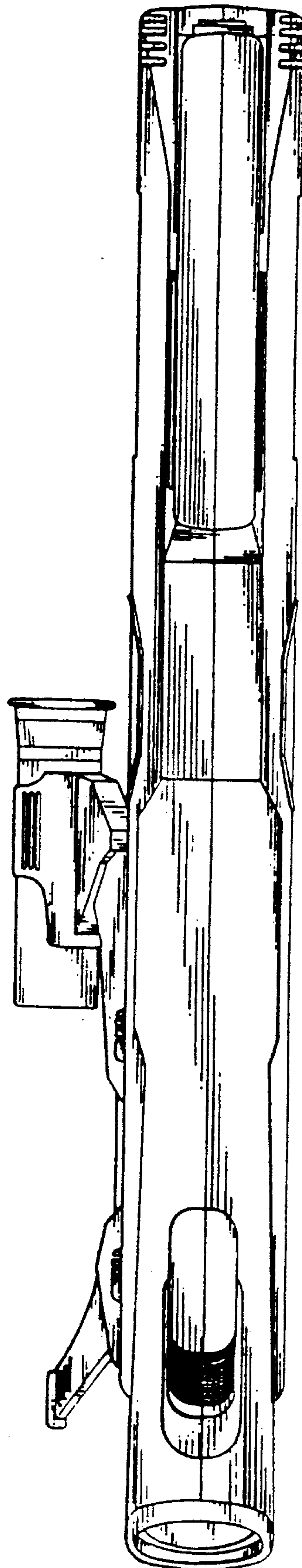
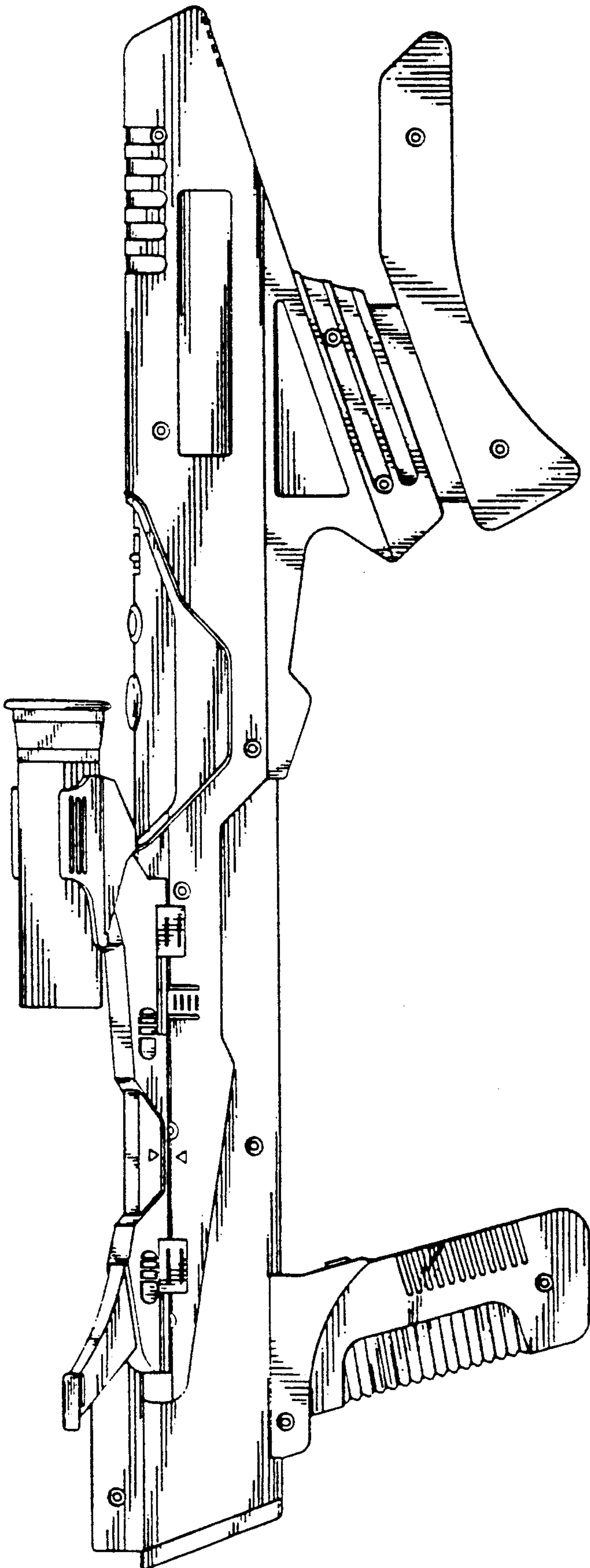


Fig. 7



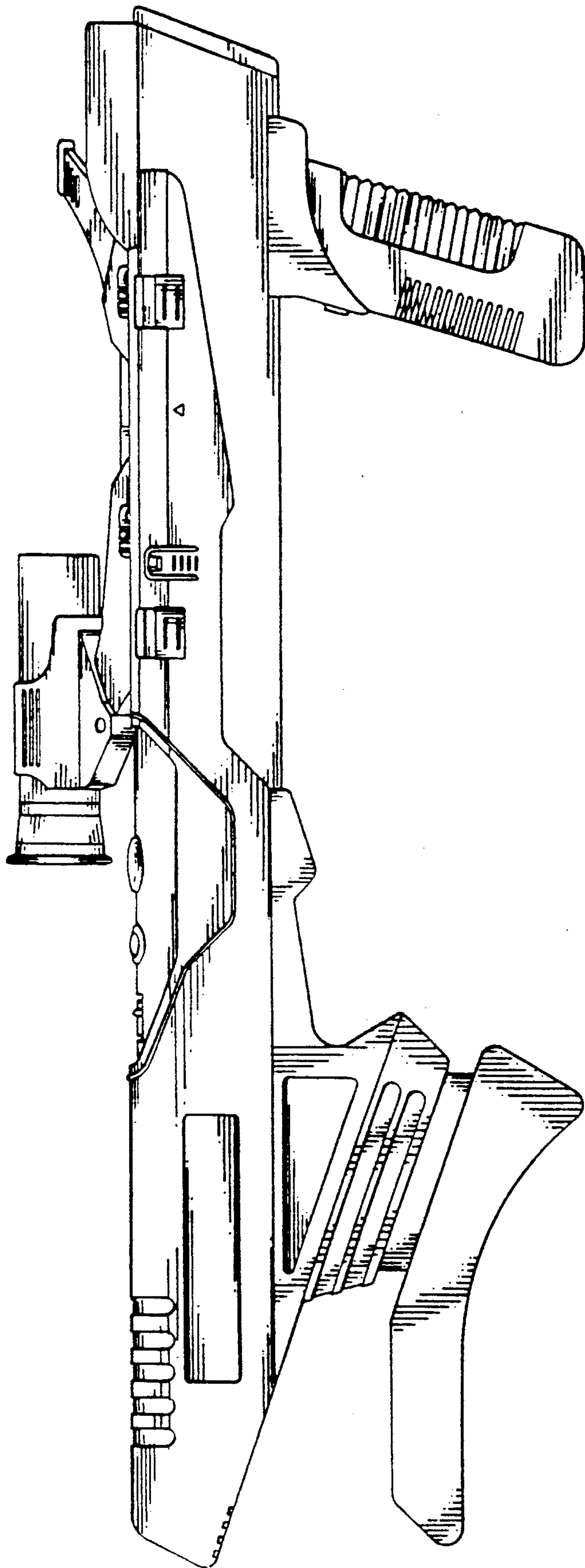


Fig. 8

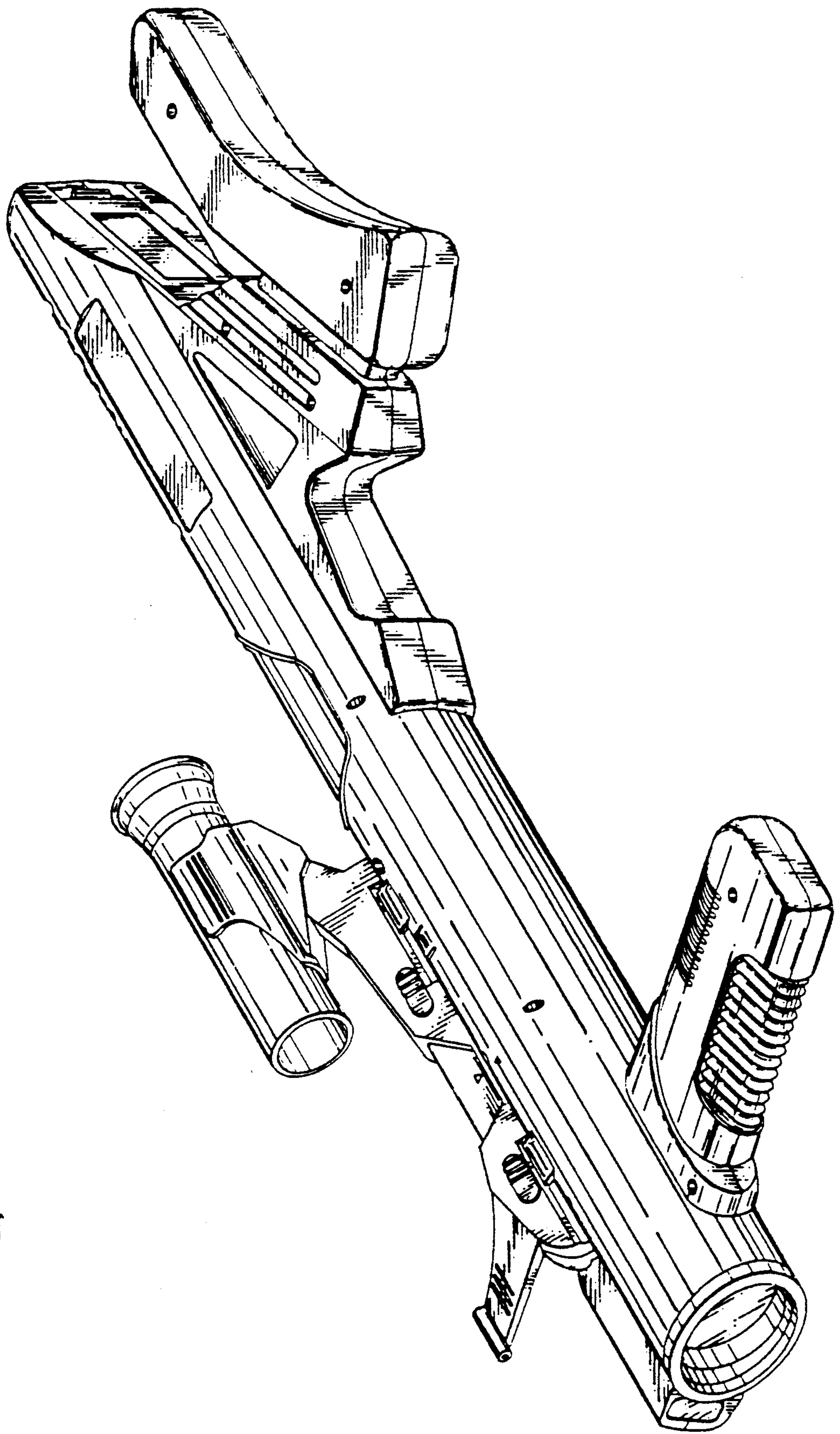


Fig. 9

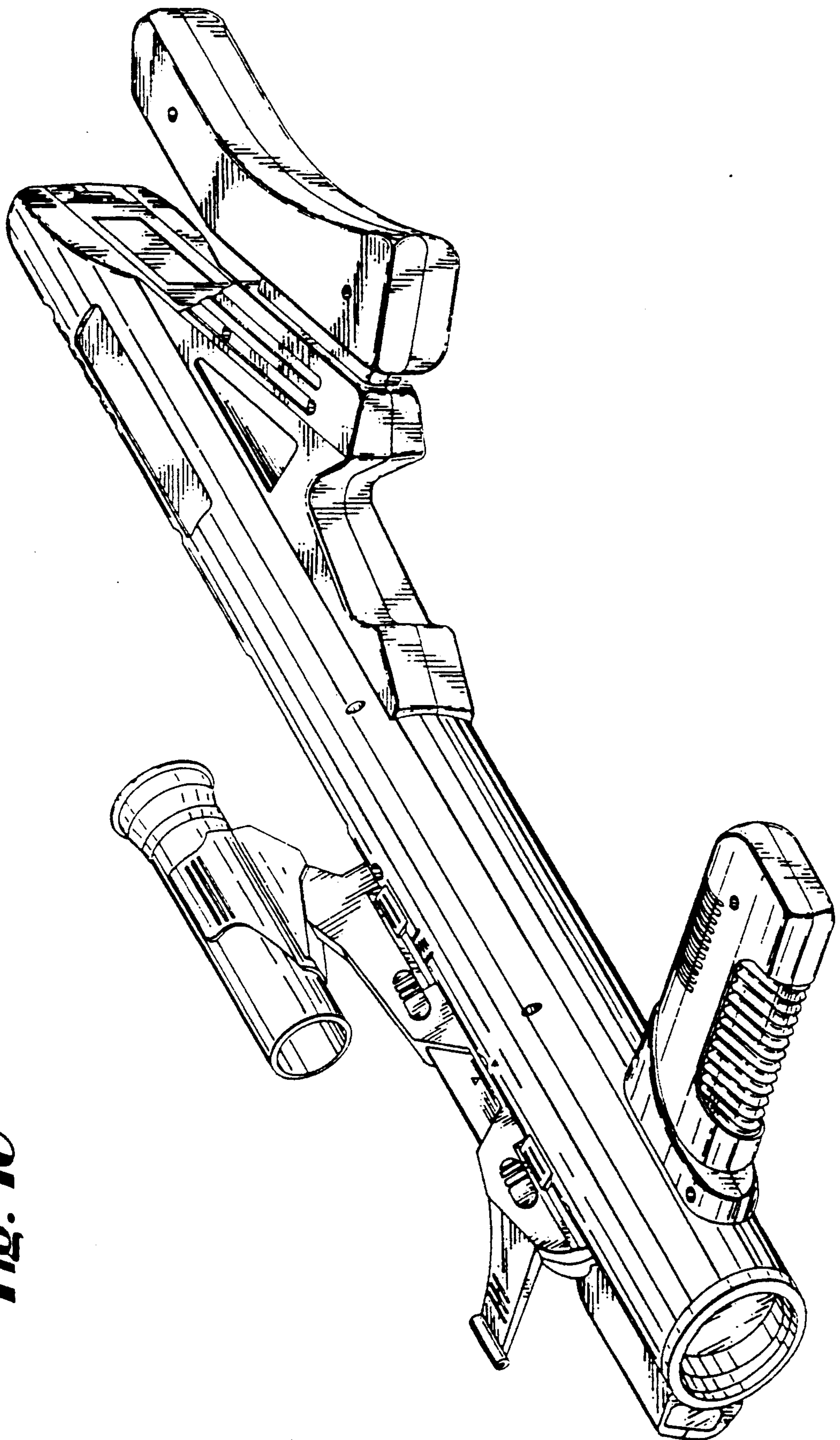


Fig. 10

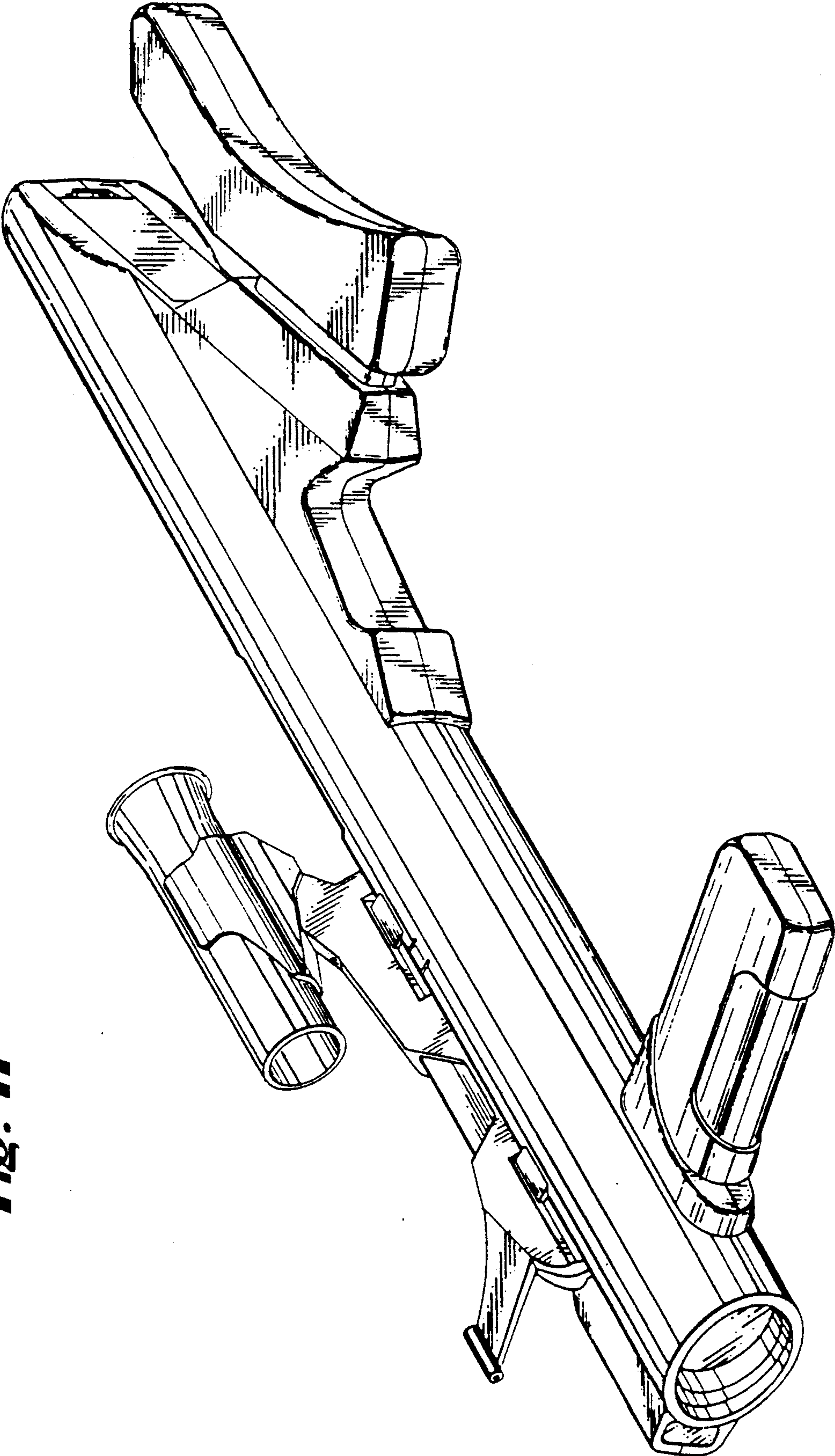


Fig. 11

UNITED STATES PATENT AND TRADEMARK OFFICE
CERTIFICATE OF CORRECTION

PATENT NO. : Des. 344, 108
DATED : February 8, 1994
INVENTOR(S) : Ichiro Shirai, et al.

Page 1 of 2

It is certified that error appears in the above-identified patent and that said Letters Patent is hereby corrected as shown below:

The sheet of drawing, consisting of figure 3, should be deleted to appear as per attached sheet.

Signed and Sealed this
Seventeenth Day of January, 1995

Attest:



BRUCE LEHMAN

Attesting Officer

Commissioner of Patents and Trademarks

Fig. 3

