



US00D344104S

# United States Patent [19]

[11] Patent Number: **Des. 344,104**

Yen

[45] Date of Patent: **\*\* Feb. 8, 1994**

[54] **HORSE RACING TOY**

3,999,758 12/1976 Reitzel ..... 273/86 D

[76] Inventor: **Lee C. Yen**, P.O. Box 82-144, Taipei, Taiwan

*Primary Examiner*—Melvin B. Feifer  
*Attorney, Agent, or Firm*—Alfred Lei

[\*\*] Term: **14 Years**

[57] **CLAIM**

[21] Appl. No.: **822,843**

The ornamental design for a horse racing toy, as shown and described.

[22] Filed: **Jan. 21, 1992**

[52] U.S. Cl. .... **D21/11**

[58] Field of Search ..... 273/86 R, 86 D, 86 B, 273/86 F, 86 G; D21/11, 14, 27, 143

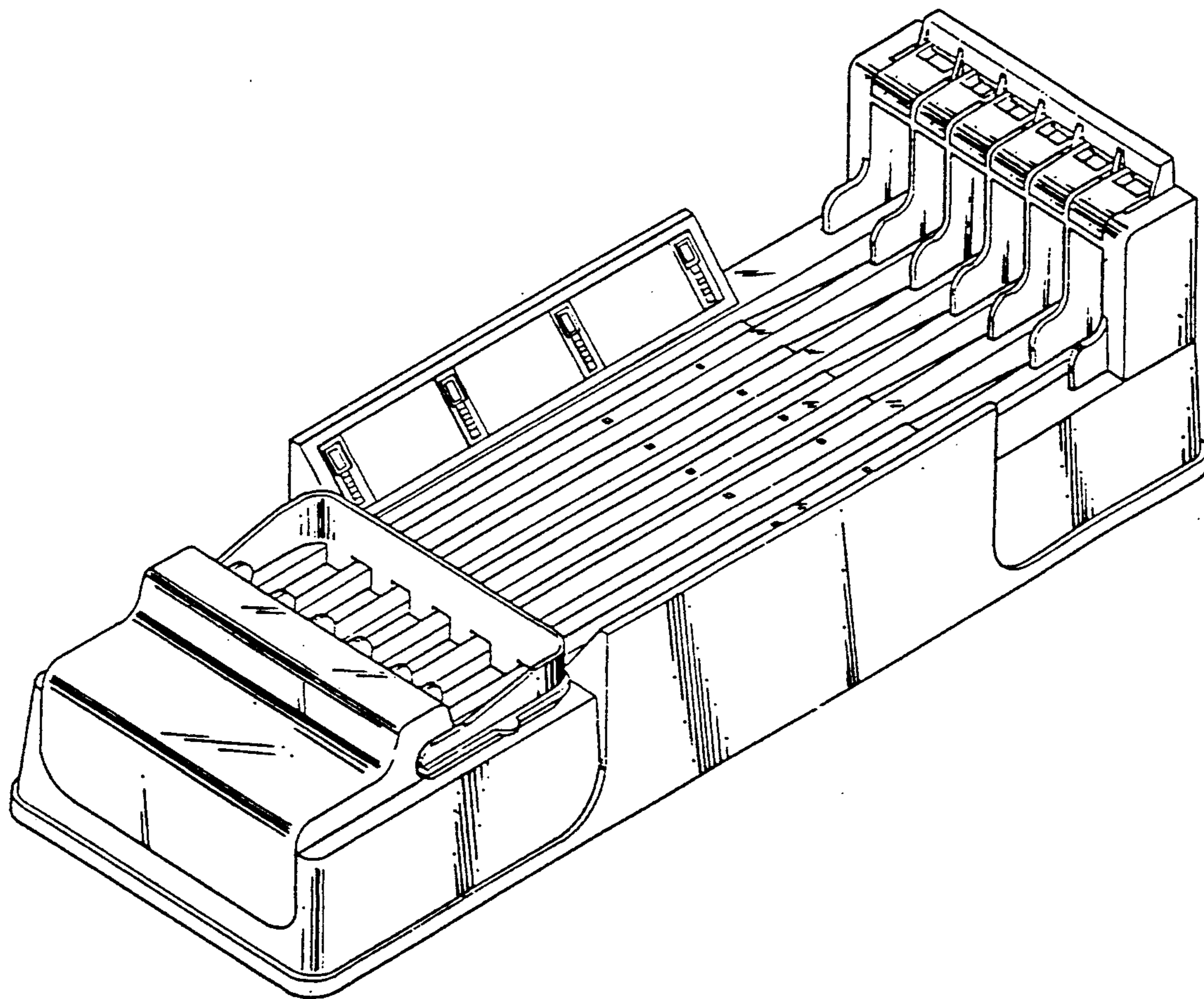
### DESCRIPTION

[56] **References Cited**

#### U.S. PATENT DOCUMENTS

D. 238,695	2/1976	Braunhut	.....	D21/11
311,219	1/1885	Anderson	.....	273/86 F
3,785,649	1/1974	Andersson	.....	273/86 G

FIG. 1 is a perspective view of a horse racing toy showing my new design;  
 FIG. 2 is a front view thereof;  
 FIG. 3 is a rear view thereof;  
 FIG. 4 is a right side elevational view thereof;  
 FIG. 5 is a left side elevational view thereof;  
 FIG. 6 is a top plan view thereof; and,  
 FIG. 7 is a bottom plan view thereof.



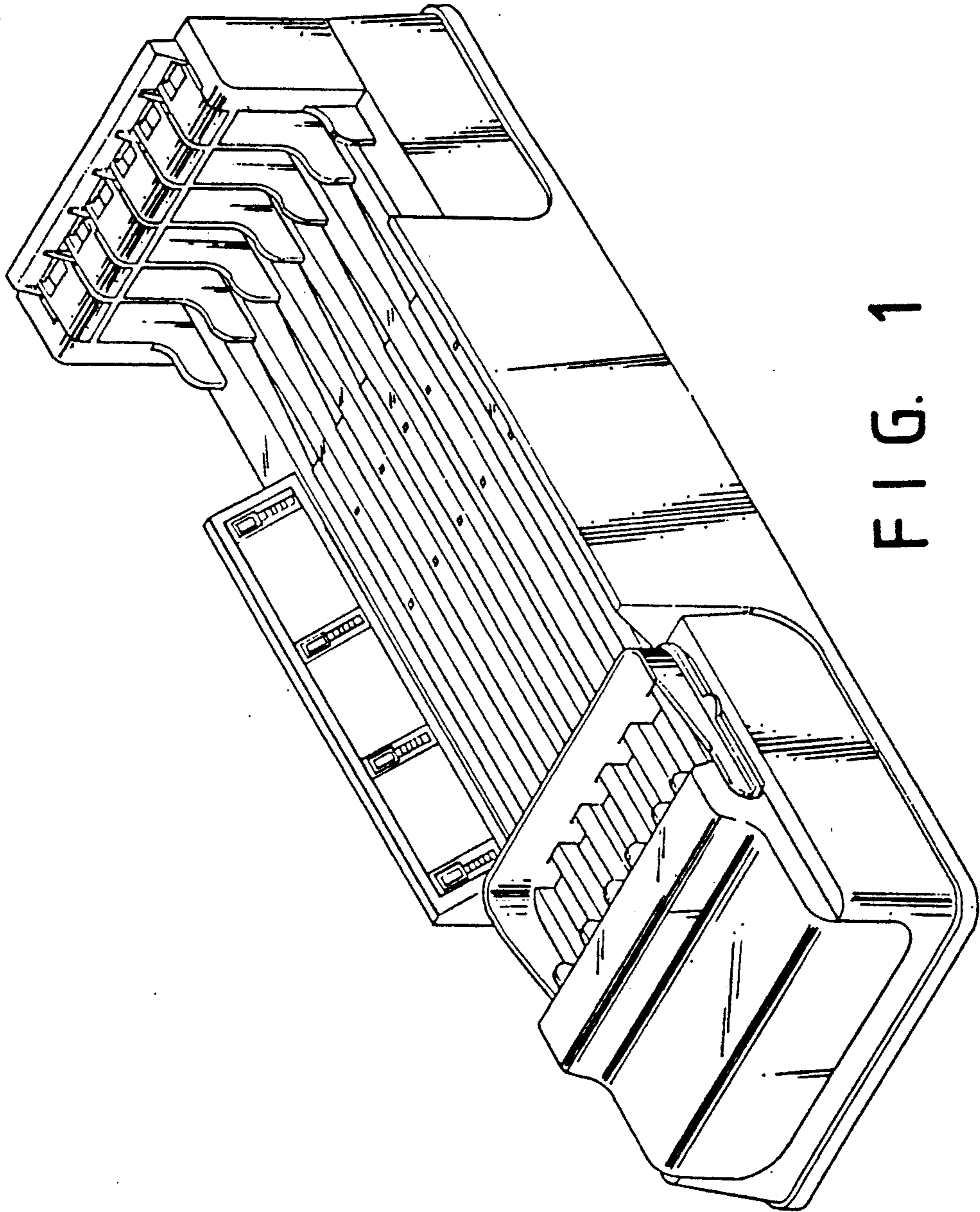


FIG. 1

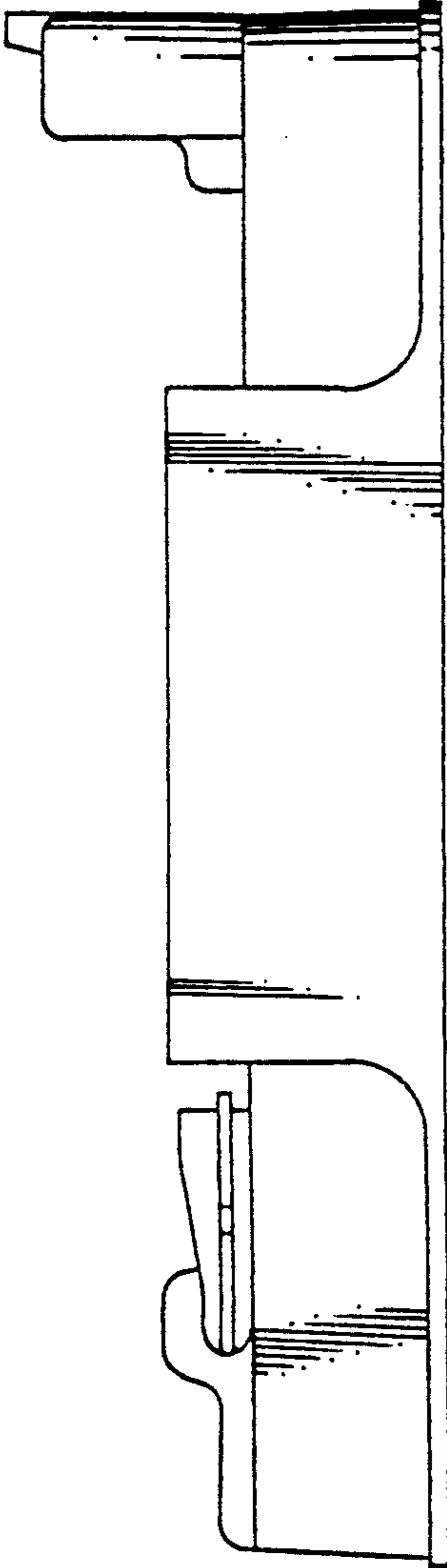


FIG. 2

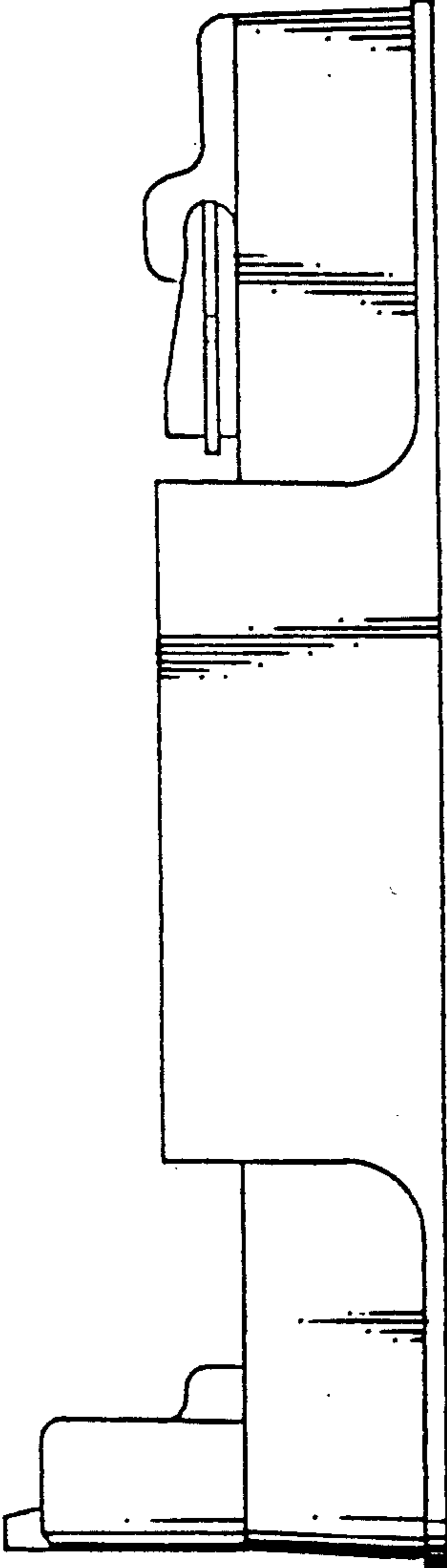


FIG. 3

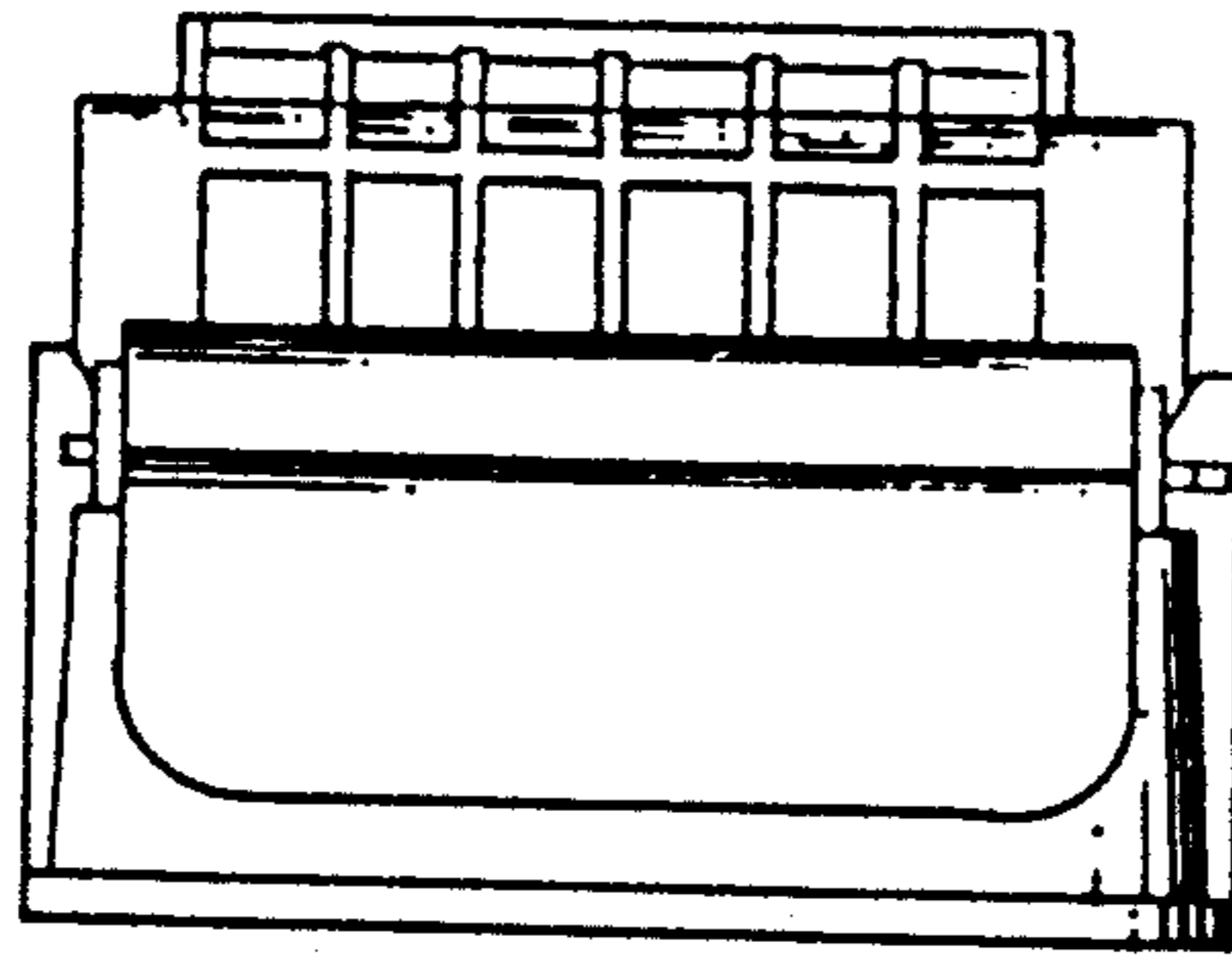


FIG. 4

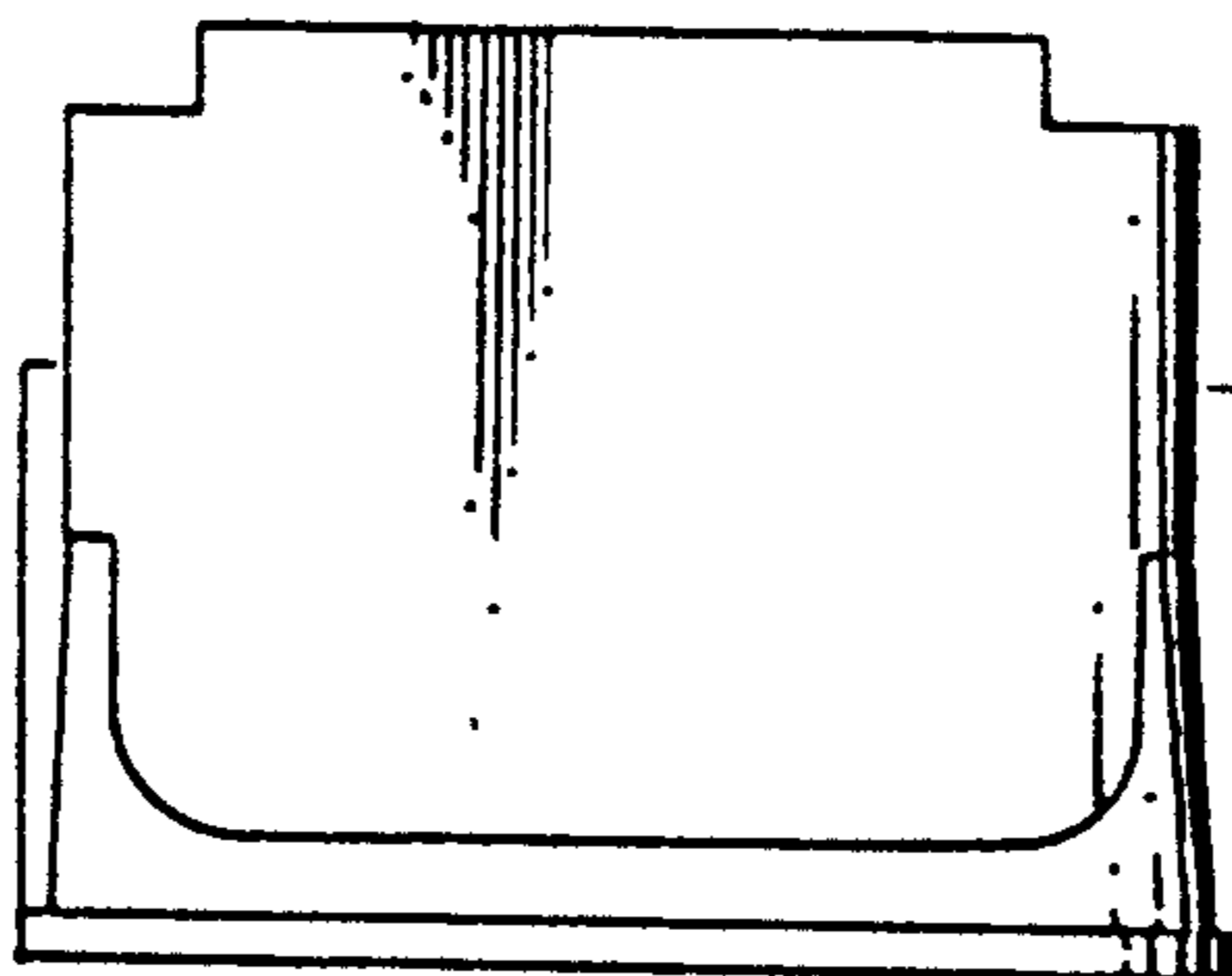


FIG. 5

FIG. 6

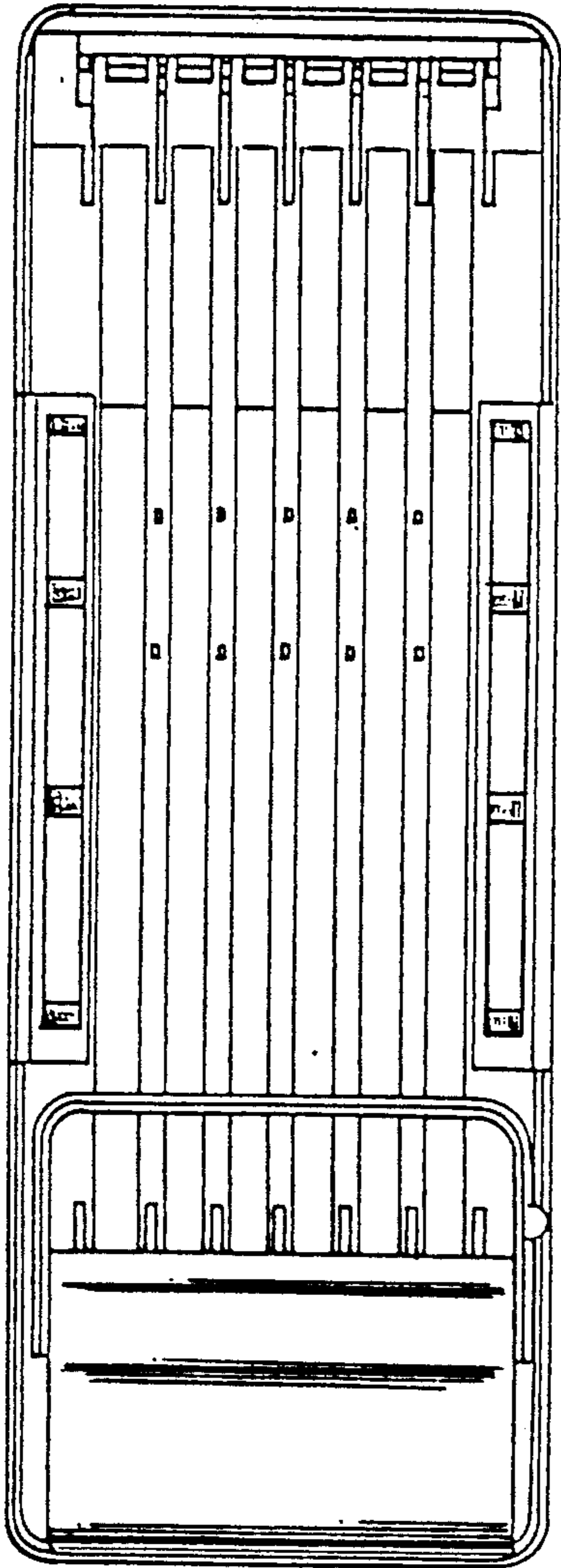


FIG. 7

