



US00D344103S

United States Patent [19]

[11] Patent Number: **Des. 344,103**

Pearce

[45] Date of Patent: **** Feb. 8, 1994**

[54] **APPLIQUE FOR USE WITH A CEILING FAN**

[75] Inventor: **Richard A. Pearce**, Memphis, Tenn.

[73] Assignee: **Hunter Fan Company**, Memphis, Tenn.

[**] Term: **14 Years**

[21] Appl. No.: **7,466**

[22] Filed: **Apr. 23, 1993**

Related U.S. Application Data

[62] Division of Ser. No. 835,264, Feb. 13, 1992.

[52] U.S. Cl. **D20/11**

[58] Field of Search **D23/377, 379, 385, 411, D23/386; D21/87; D12/319, 214; D20/11**

[56] **References Cited**

PUBLICATIONS

How to Identify War Planes—Friend or Enemy,

©1942, planes **(A)** and **(B)**, pp. 26 and 27, bottom right and middle left sides of page respectively. Flying Models, Mar. 1967, p. 5, planes I and II, lower right side of page.

Primary Examiner—Wallace R. Burke
Assistant Examiner—Lisa Lichtenstein
Attorney, Agent, or Firm—Heiskell, Donelson, Bearman, Adams, Williams & Caldwell

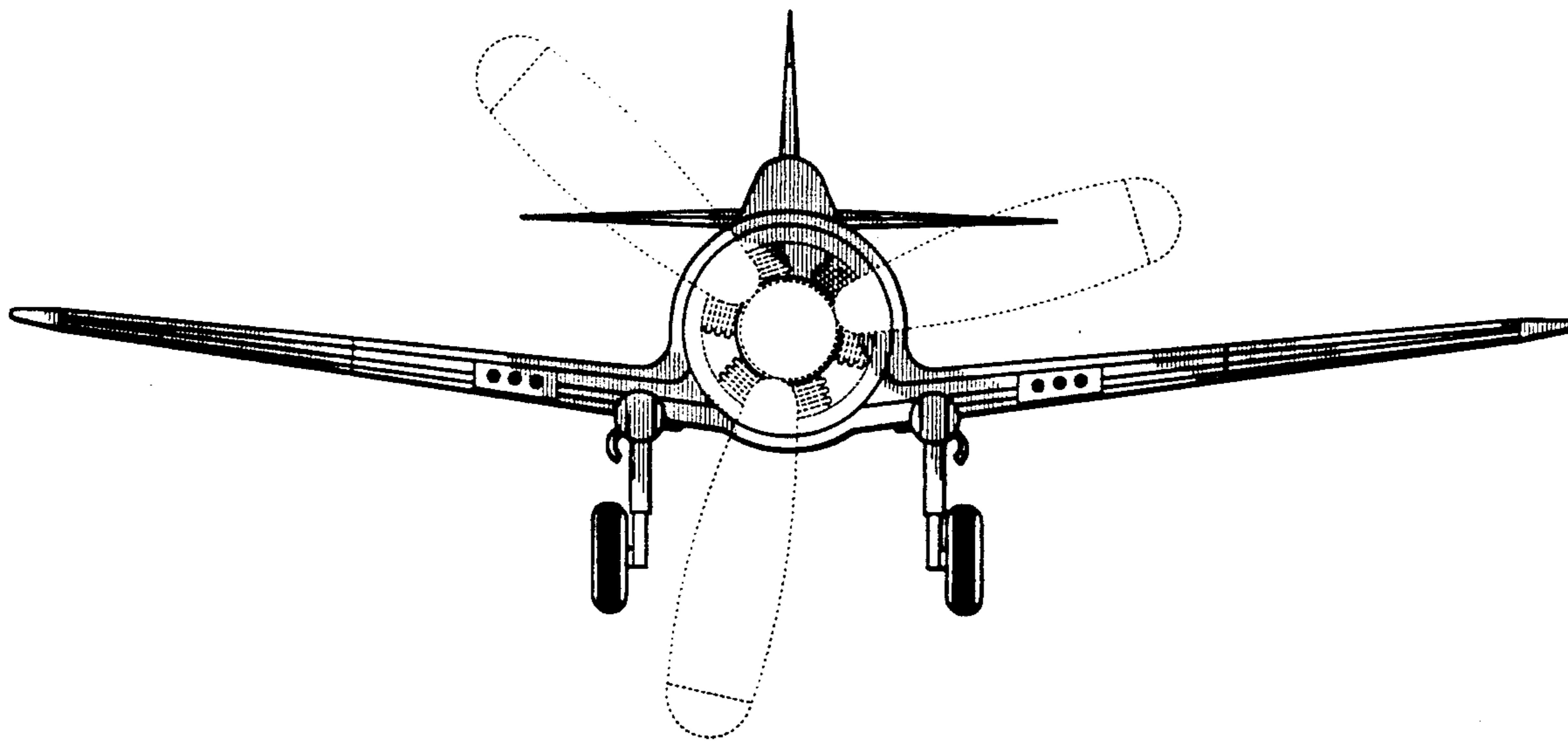
[57] CLAIM

The ornamental design for an applique for use with a ceiling fan, as shown and described.

DESCRIPTION

FIG. 1 is a front elevational view of an applique for use with a ceiling fan showing my design; and, FIG. 2 is a front elevational view of an alternative embodiment thereof.

The broken line drawing of a ceiling fan shown in FIGS. 1-3 is for illustrative purposes only, and forms no part of the claimed design.



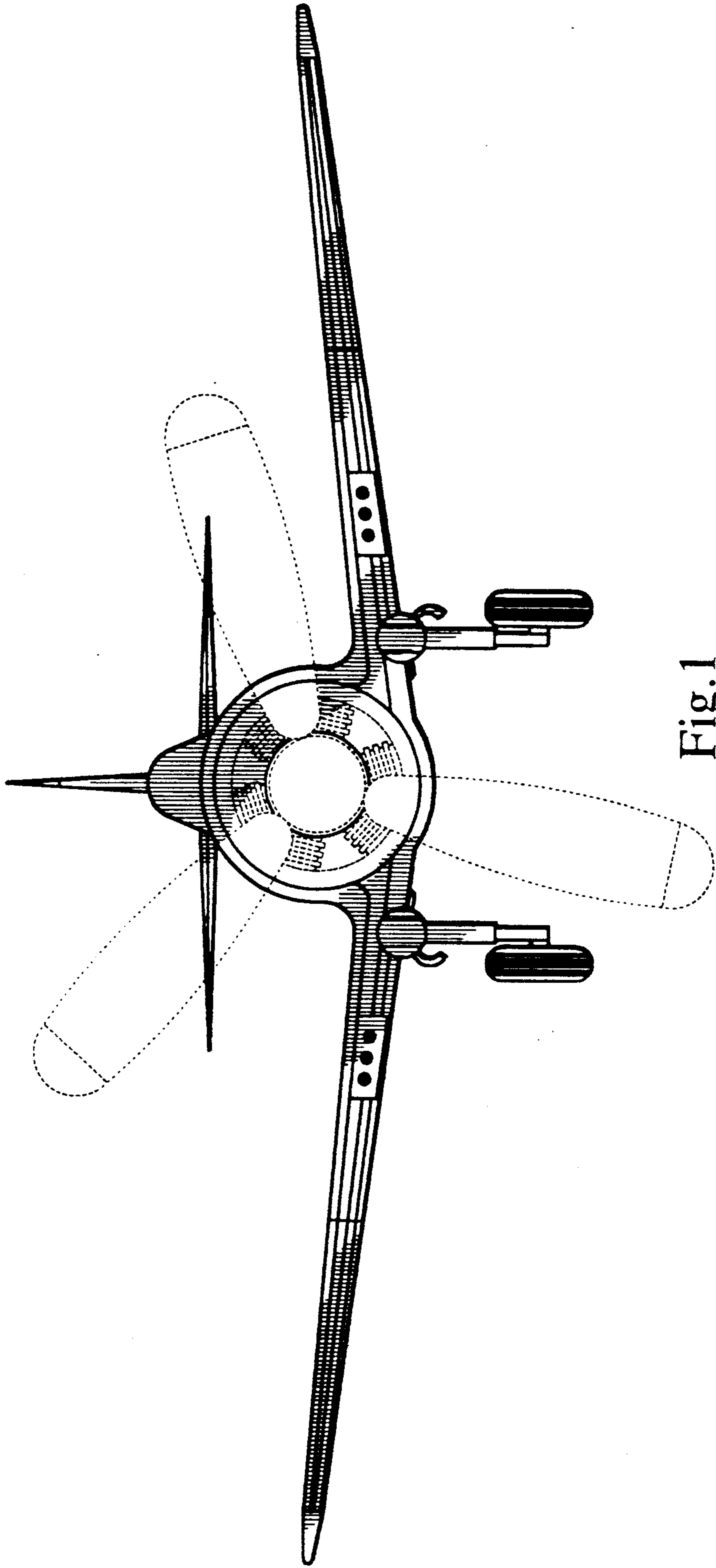


Fig.1

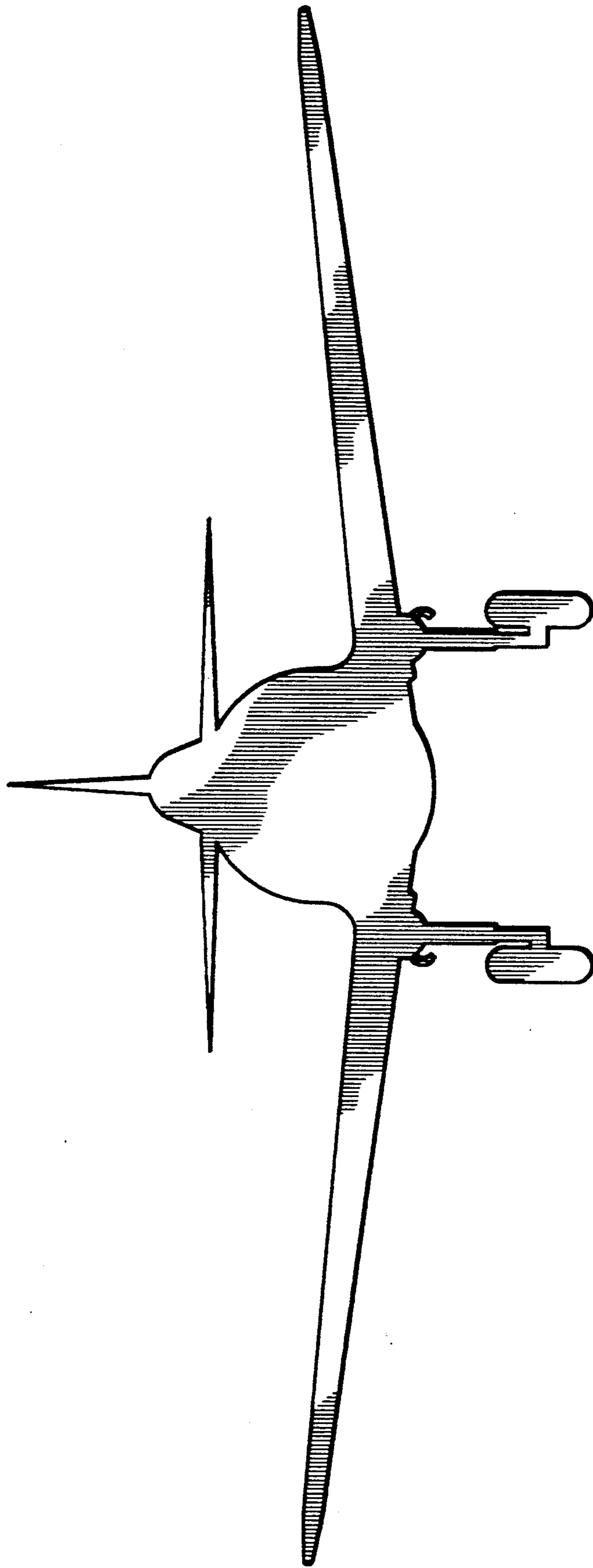


Fig. 2