



US00D344096S

United States Patent [19]

[11] Patent Number: **Des. 344,096**

Tan

[45] Date of Patent: **** Feb. 8, 1994**

[54] PHOTO ALBUM

[75] Inventor: **Kheng Koe Tan, Johor, Malaysia**

[73] Assignee: **Red Box (M) Berhad, Johor, Malaysia**

[**] Term: **14 Years**

[21] Appl. No.: **875,725**

[22] Filed: **Apr. 30, 1992**

[52] U.S. Cl. **D19/26**

[58] Field of Search **D3/56, 58; 150/132, 150/143; 283/63.1; 281/15.1; 402/75; D19/26, 27, 28**

4,219,951	9/1980	Schmidt	402/754
4,296,945	10/1981	Pavlik	281/314
4,519,629	5/1985	Podosek	281/314
4,720,012	1/1988	Dufour	D19/274

OTHER PUBLICATIONS

Luggage & Leather Goods, May 1968 Pocket book on top right of page.

Primary Examiner—Wallace R. Burke

Assistant Examiner—Pamela Burgess

[57] CLAIM

The ornamental design for a photo album, as shown and described.

DESCRIPTION

FIG. 1 is a perspective view of a photo album showing my new design;

FIG. 2 is a front elevational view thereof;

FIG. 3 is a rear elevational view thereof;

FIG. 4 is a right side elevational view thereof;

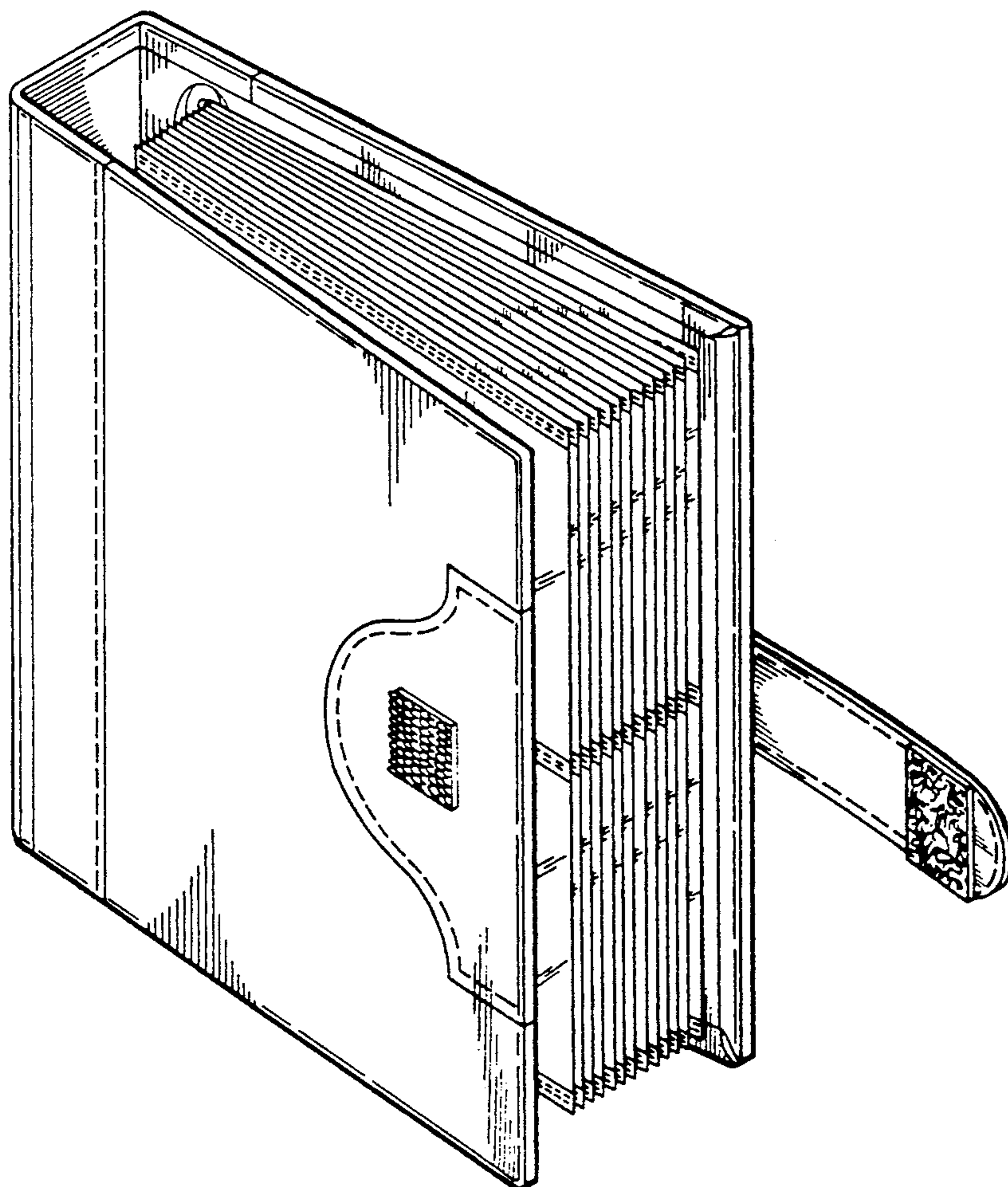
FIG. 5 is a left side elevational view thereof; and,

FIG. 6 is a top plan view thereof, the bottom being a mirror image thereof.

[56] References Cited

U.S. PATENT DOCUMENTS

D. 279,113	6/1985	Beall	D19/26
D. 285,809	9/1986	Sindler	D19/27
D. 303,809	10/1989	Klein	D3/564
D. 319,345	8/1991	Rayburn	D3/584
D. 324,877	3/1992	Schimmel	D19/27
D. 330,115	10/1992	O'Brien	D19/274
596,656	1/1898	Farnham	283/63.1 X



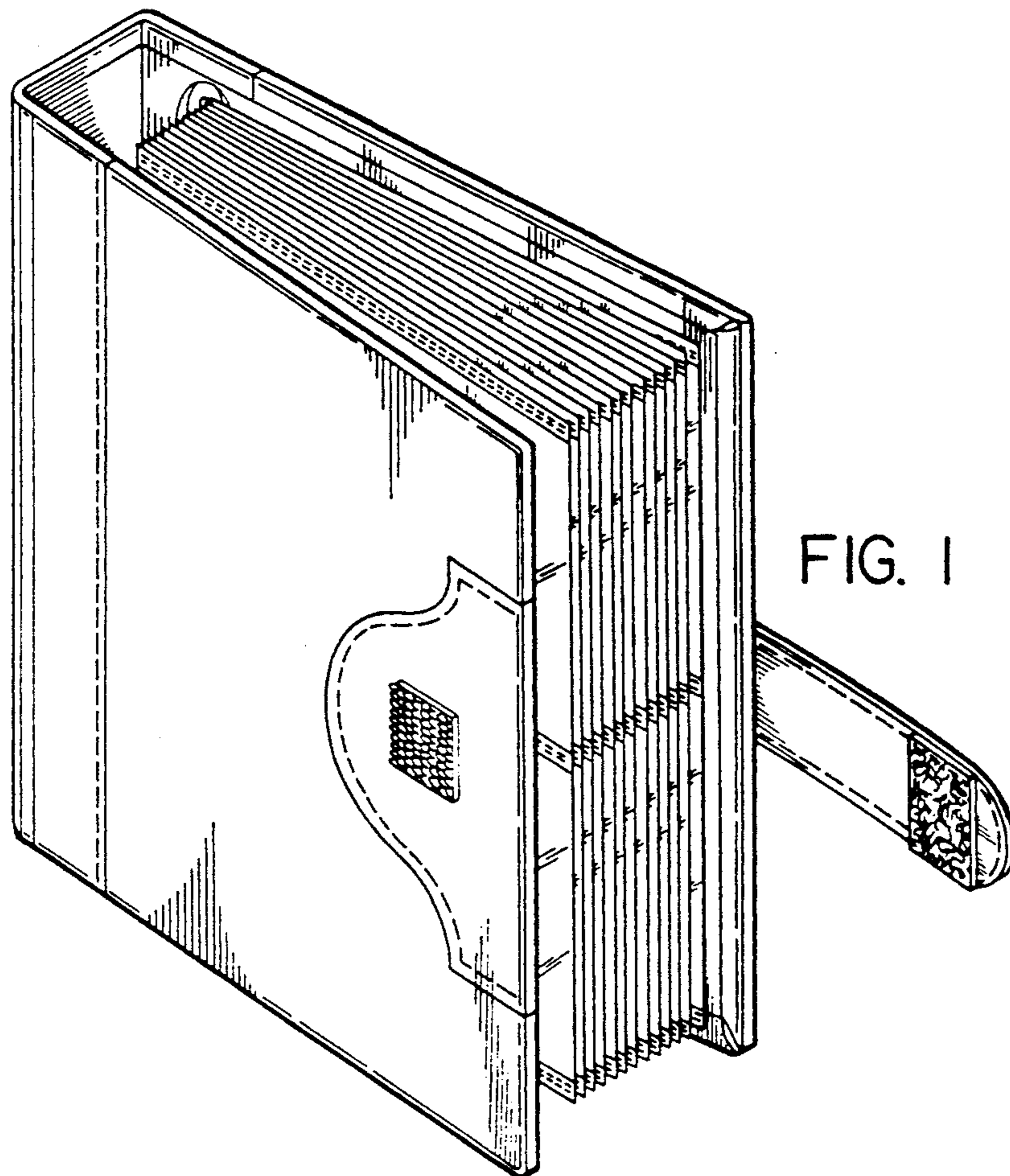


FIG. 1

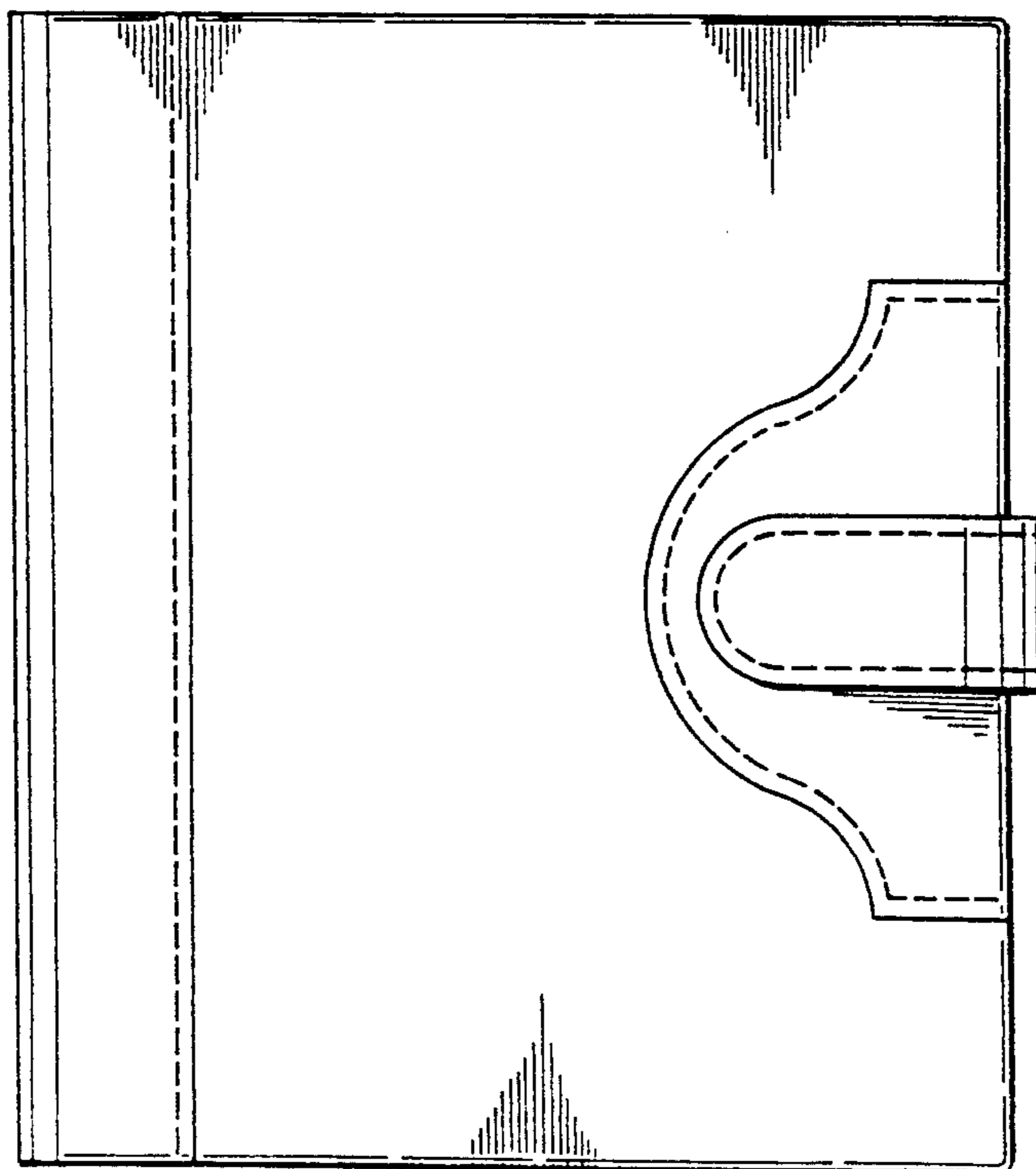


FIG. 2

FIG. 3

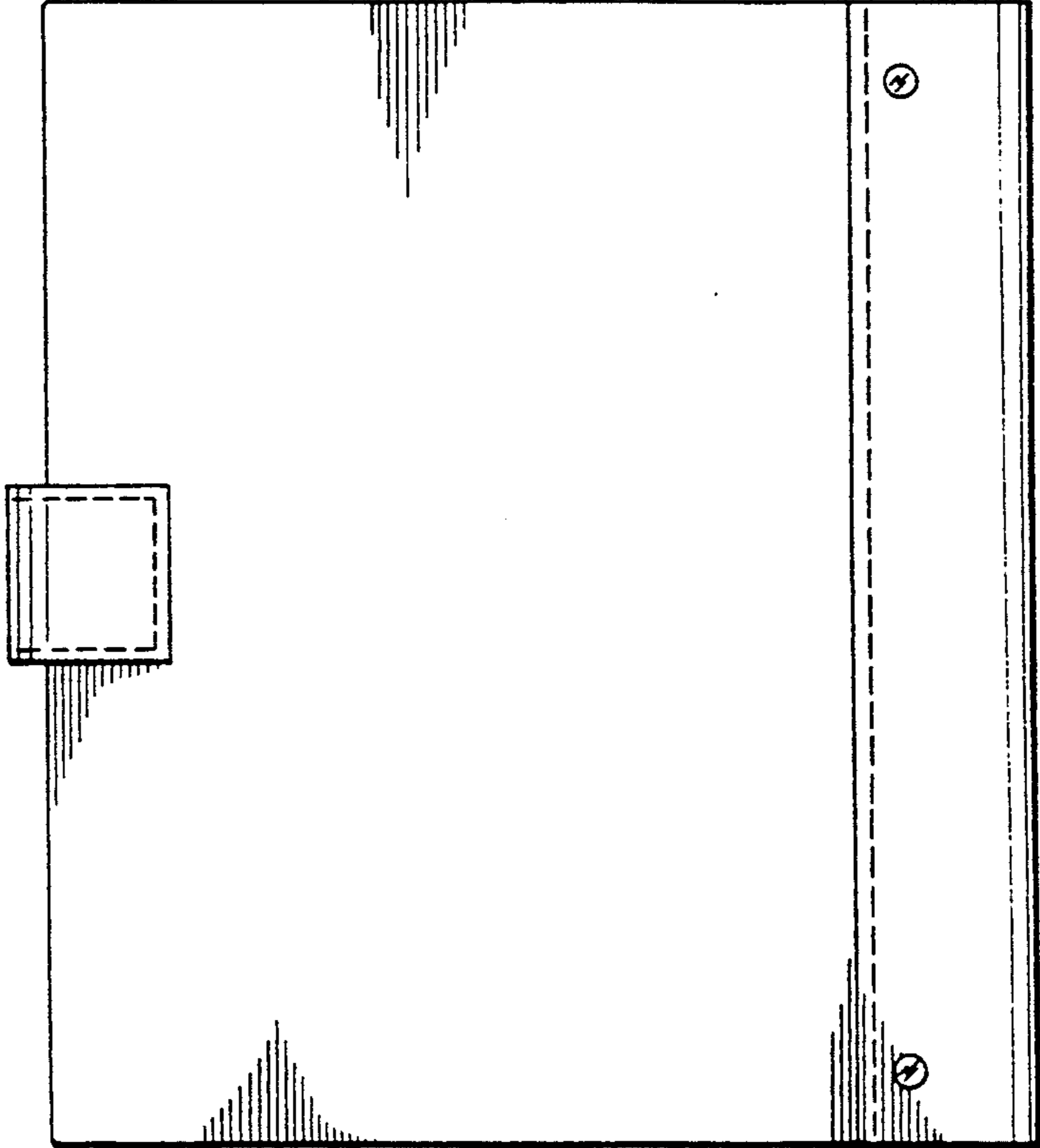
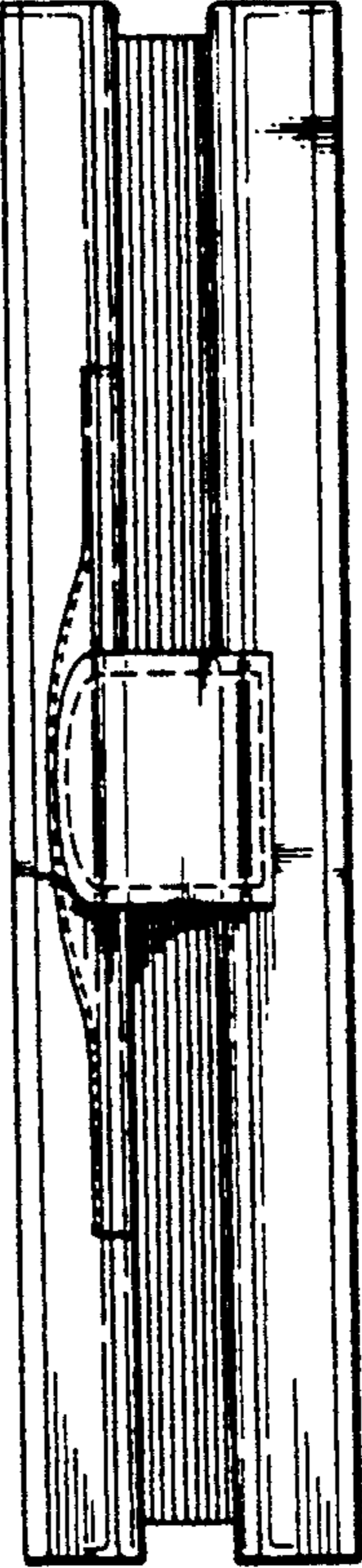


FIG. 4



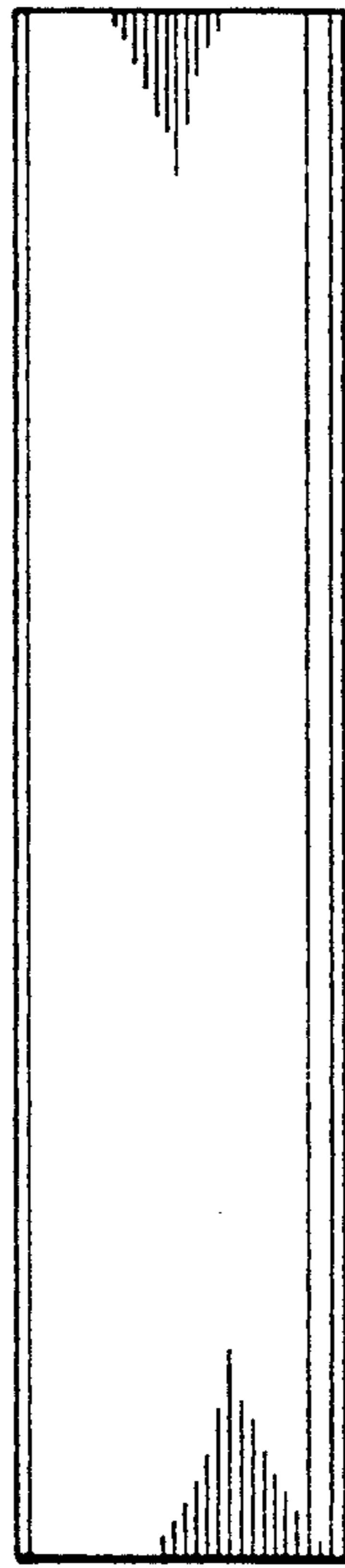


FIG. 5

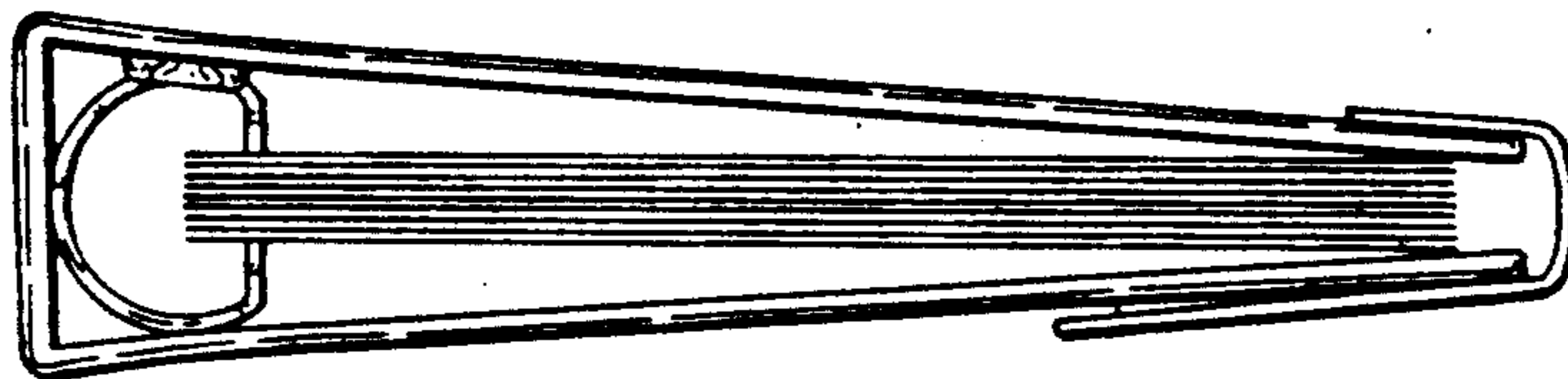


FIG. 6