



US00D344093S

United States Patent [19]

[11] Patent Number: **Des. 344,093**

Melick

[45] Date of Patent: **** Feb. 8, 1994**

[54] UDU DRUM HOLDER

[76] Inventor: **Brian M. Melick, R.D. 1, P.O. Box 127, Ravena, N.Y. 12143**

[**] Term: **14 Years**

[21] Appl. No.: **724,945**

[22] Filed: **Jul. 1, 1991**

[52] U.S. Cl. **D17/22**

[58] Field of Search **D6/462; 84/327, 421; 248/176, 302, 146, 148, 149, 99, 153, 210, 218.1, 303; D8/370, 373; D17/22, 99**

[56] References Cited

U.S. PATENT DOCUMENTS

D. 212,291	9/1968	Hamilton	D6/462
D. 247,270	2/1978	Barnes	D6/462
4,402,441	9/1983	Jones	84/327
4,483,505	11/1984	Dalbo	248/447
5,076,131	12/1991	Patterson	84/421

FOREIGN PATENT DOCUMENTS

55047 2/1911 Switzerland 248/176

Primary Examiner—Bernard Ansher
Assistant Examiner—Adir Aronovich
Attorney, Agent, or Firm—Schmeiser, Morelle & Watts

[57] CLAIM

The ornamental design for UDU drum holder, as shown and described.

DESCRIPTION

FIG. 1 is a top plan view of a UDU drum holder showing my new design;
FIG. 2 is a front elevational view thereof;
FIG. 3 is a side elevational view thereof;
FIG. 4 is a front perspective view thereof; and,
FIG. 5 is a rear perspective view thereof.
The broken line showing of an UDU drum and support legs is for illustrative purposes only and forms no part of the claimed design.

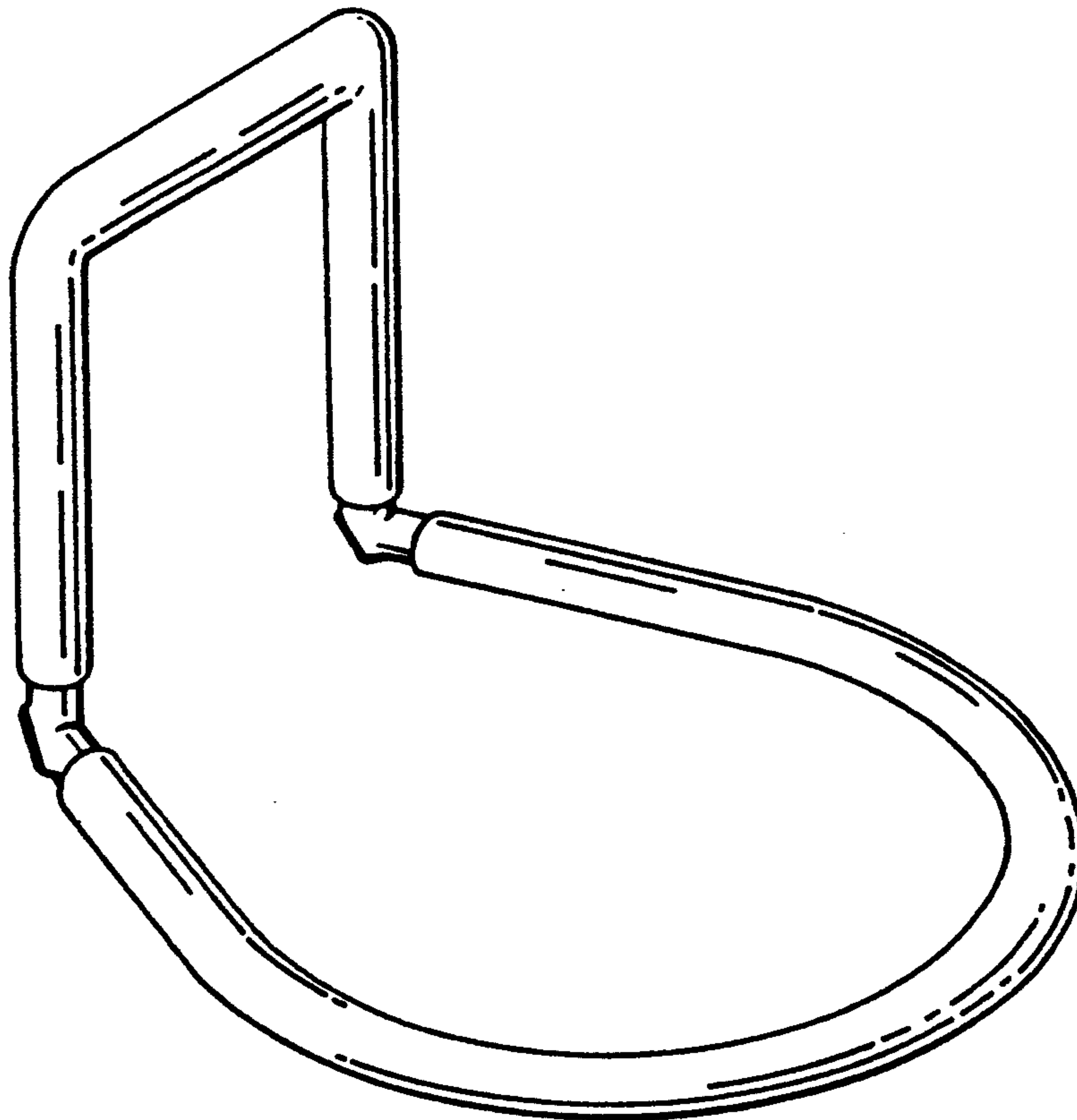


FIG. 1

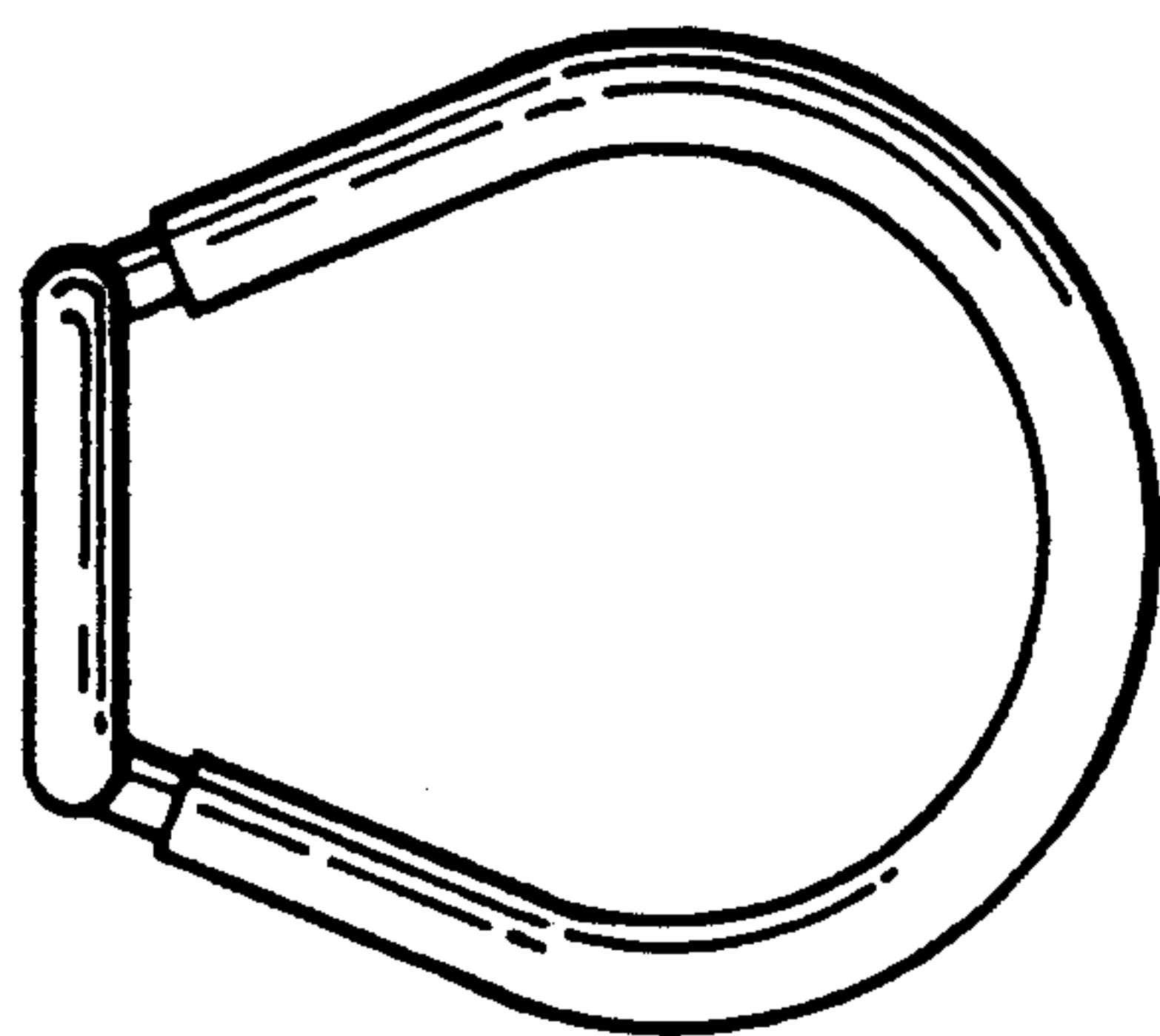


FIG. 2

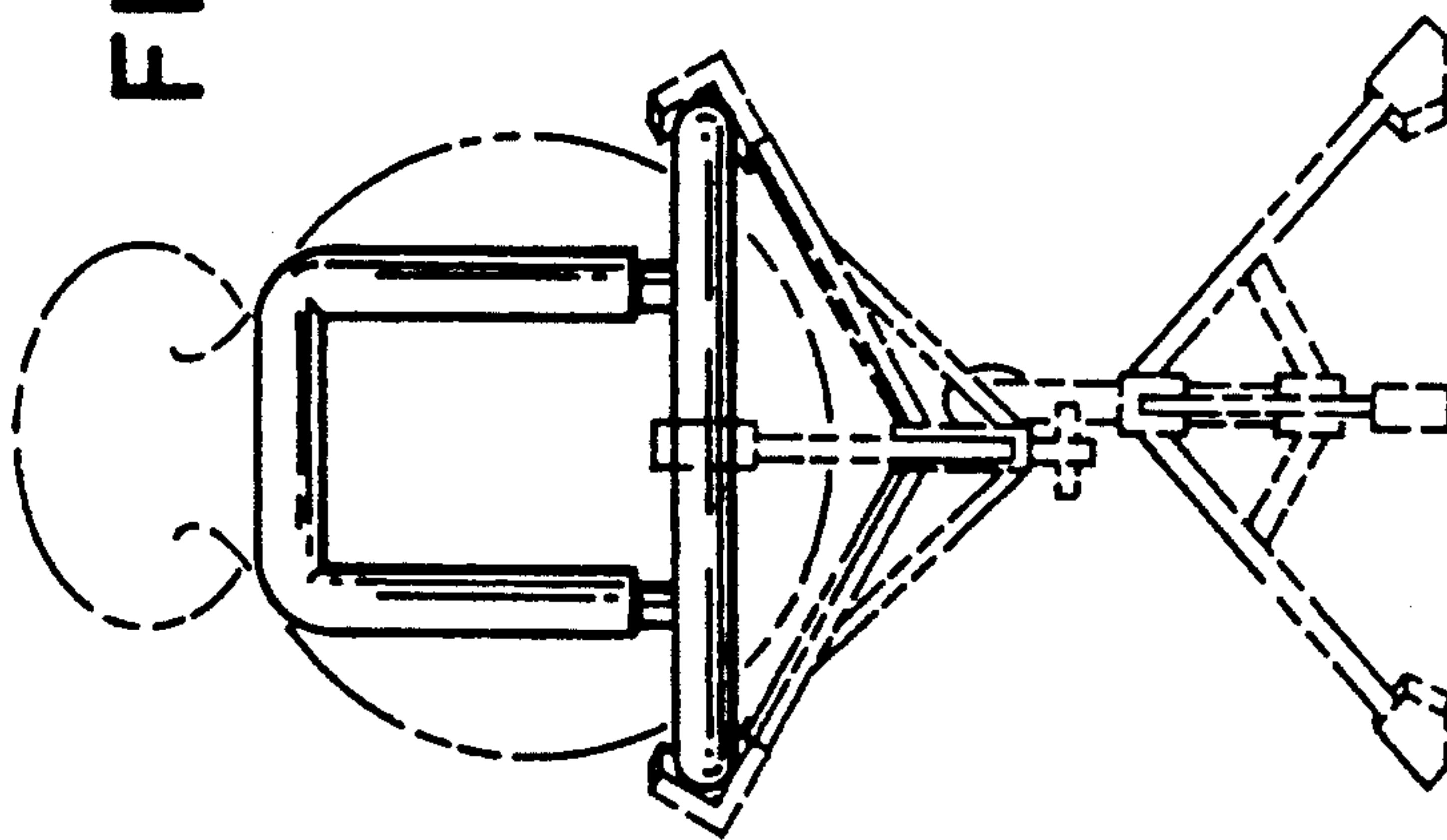
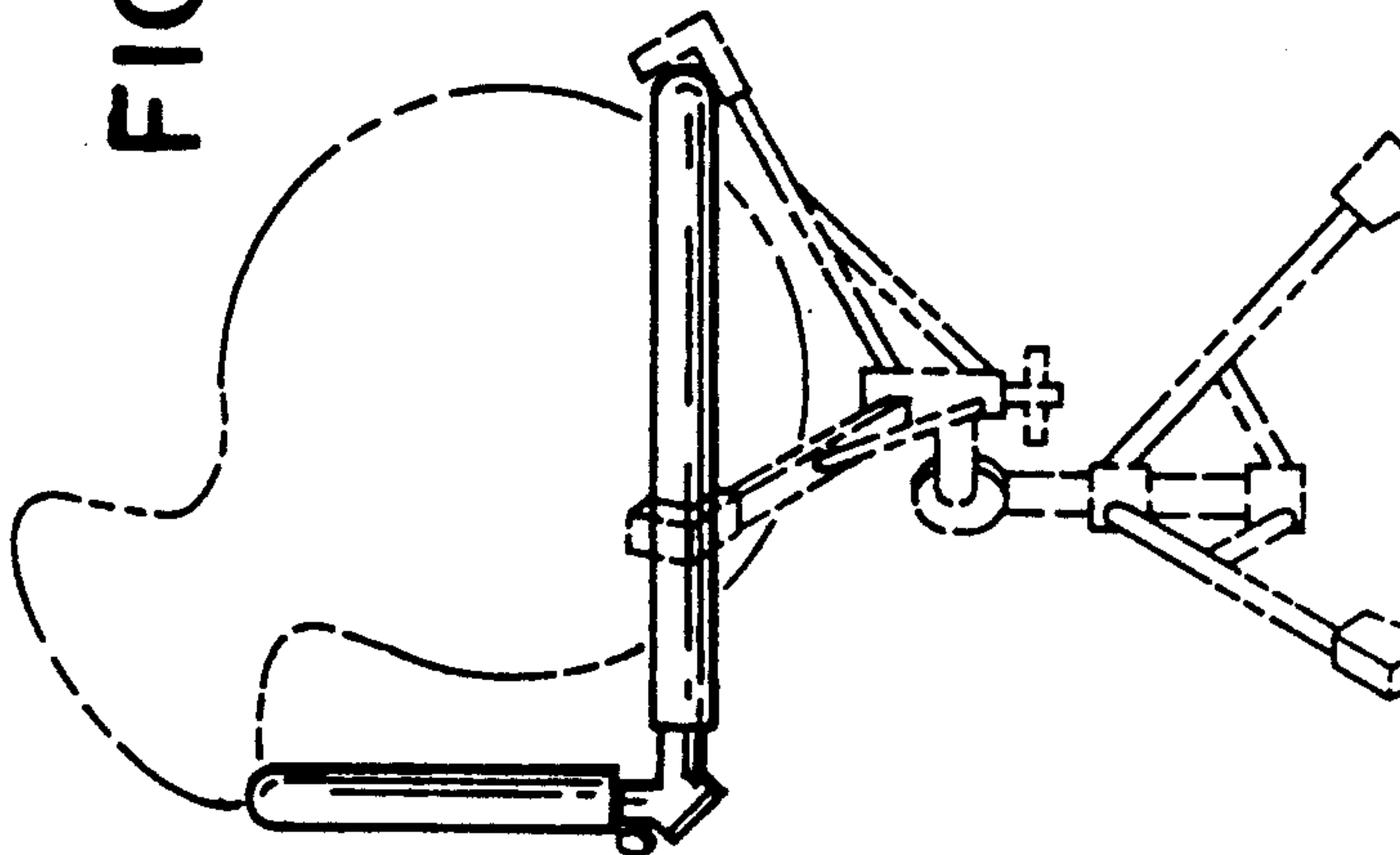


FIG. 3



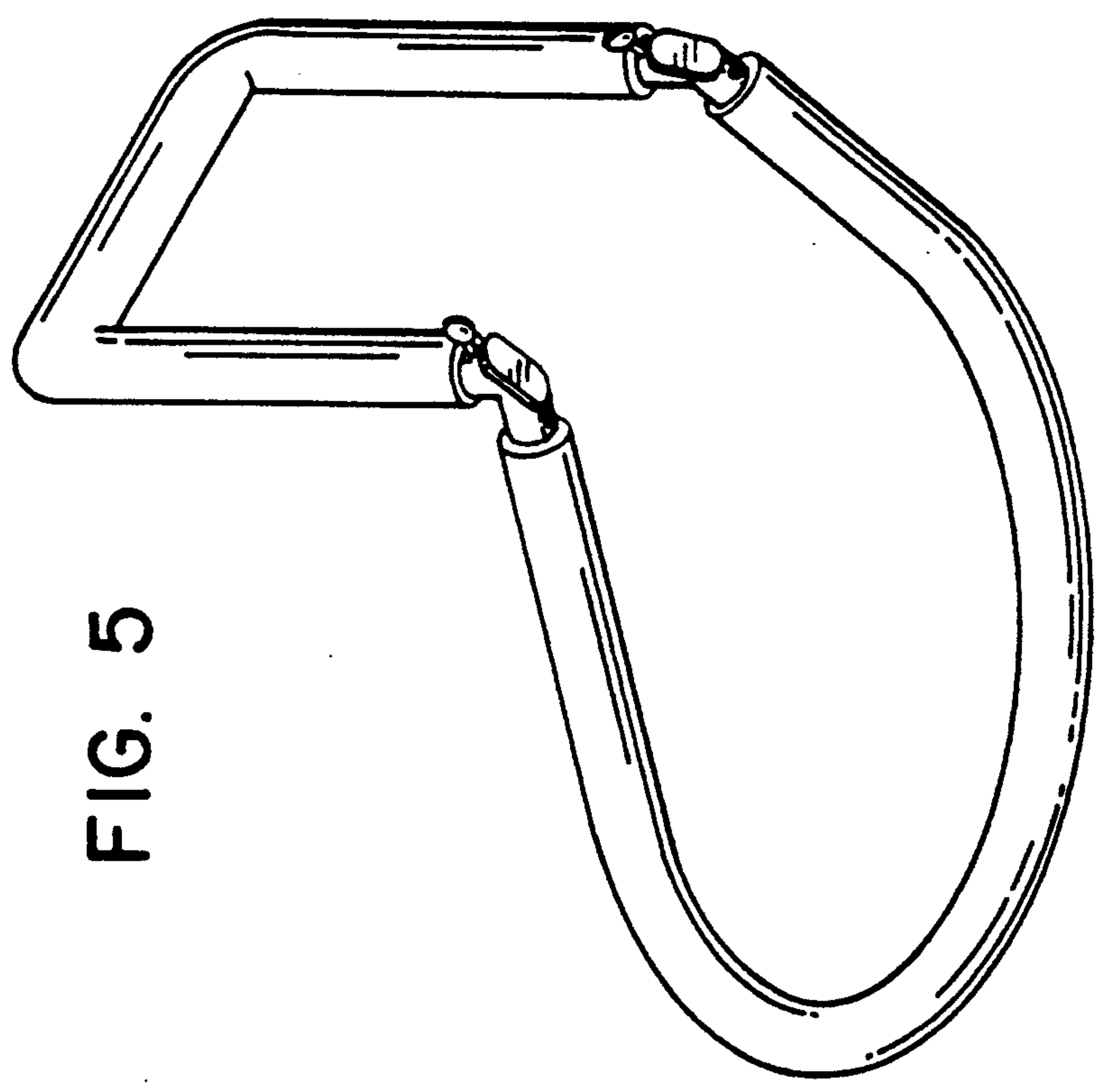


FIG. 5

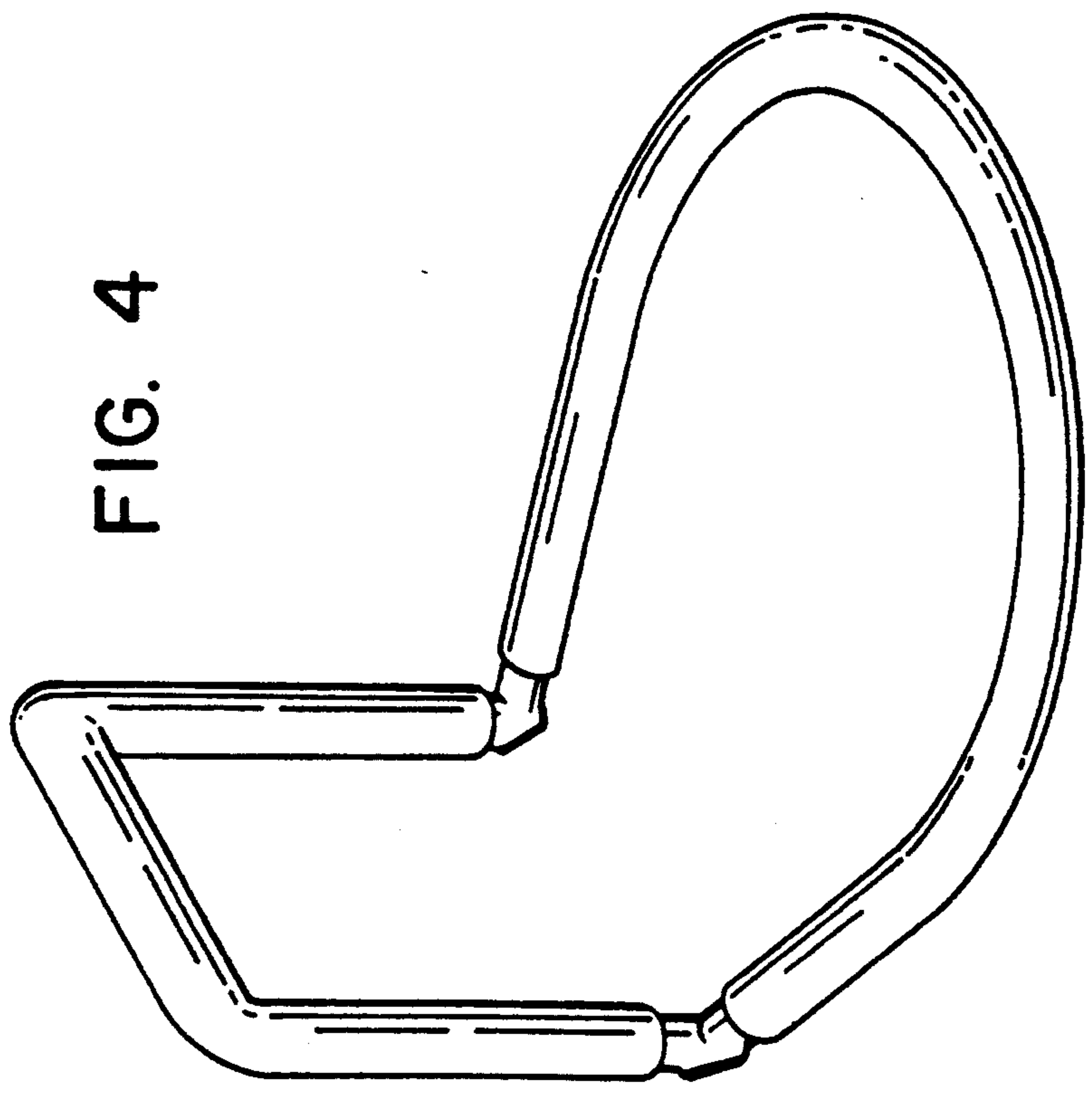


FIG. 4