



US00D344085S

# United States Patent [19]

[11] Patent Number: **Des. 344,085**

Claxton

[45] Date of Patent: **\*\* Feb. 8, 1994**

[54] **LEG AND FEED LINE HOLDER FOR A BAZOOKA ANTENNA**

### FOREIGN PATENT DOCUMENTS

573762 of 1942 United Kingdom ..... 343/880

[76] Inventor: **Robert W. Claxton**, 929 Charles Ave., Winthrop Harbor, Ill. 60096

### OTHER PUBLICATIONS

A manual of Engineering Drawings, 1935 by French p. 71, Pentagon.

[\*\*] Term: **14 Years**

The antenna Specialists Co., pp. 4-85, p. 1, Coupling box.

[21] Appl. No.: **735,460**

*Primary Examiner*—Bernard Ansher  
*Assistant Examiner*—Mitchell Siegel  
*Attorney, Agent, or Firm*—Terry M. Gernstein

[22] Filed: **Jul. 25, 1991**

[52] U.S. Cl. .... **D14/230**

[58] Field of Search ..... 343/715, 722, 749, 829,  
343/830, 872, 873, 878, 881, 741, 797, 900;  
D14/230-239

### [57] CLAIM

The ornamental design for a leg and feed line holder for a bazooka antenna, as shown and described.

### [56] References Cited

#### U.S. PATENT DOCUMENTS

D. 210,222	2/1968	Booker	.....	D14/234
D. 210,223	2/1968	Booker	.....	D14/234
D. 227,785	7/1973	Kaysen	.....	D14/233
2,805,416	9/1957	Puryear	.....	343/892
3,665,478	5/1972	Dempsey	.....	343/846 X
4,149,169	4/1979	Weber	.....	343/830 X
4,709,240	11/1987	Bordenave	.....	343/873 X

### DESCRIPTION

FIG. 1 is an exploded perspective view of a leg and feed line holder for a Bazooka antenna showing my new design;

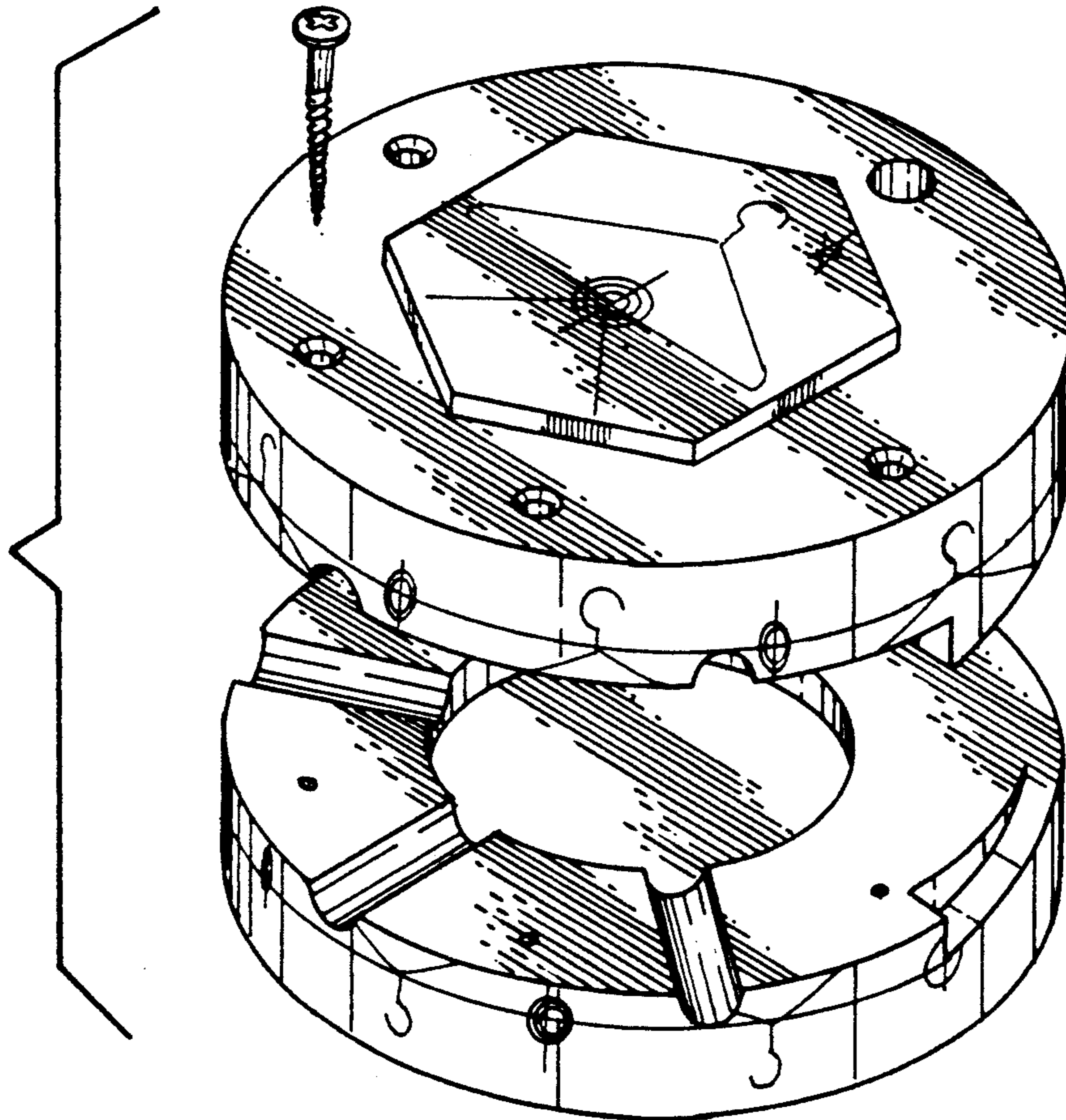
FIG. 2 is a front elevational view, the opposite side being identical;

FIG. 3 is a right side elevational view of FIG. 2;

FIG. 4 is a left side elevational view of FIG. 2;

FIG. 5 is a top plan view thereof; and,

FIG. 6 is a bottom view thereof.



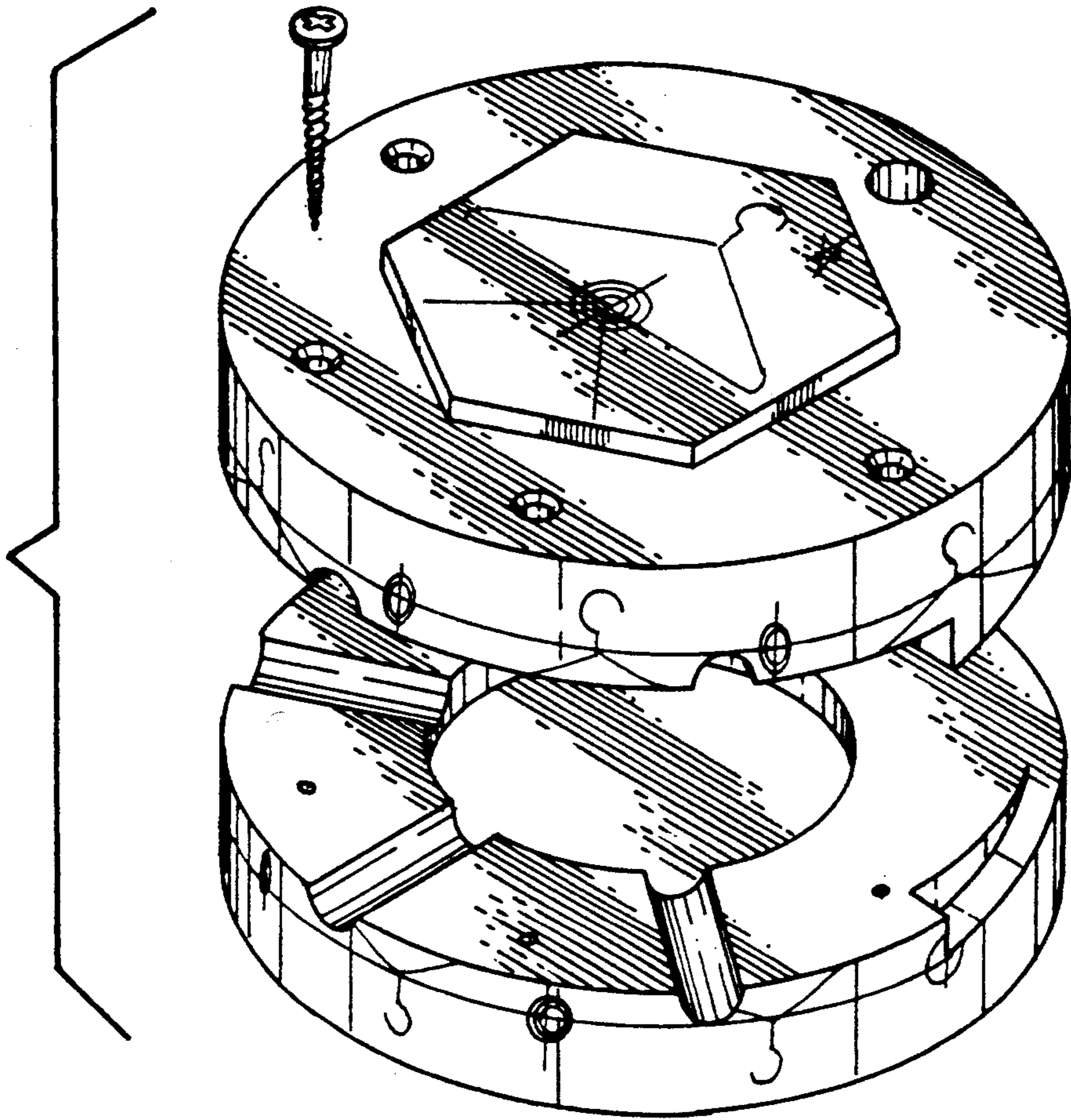


FIG. 1

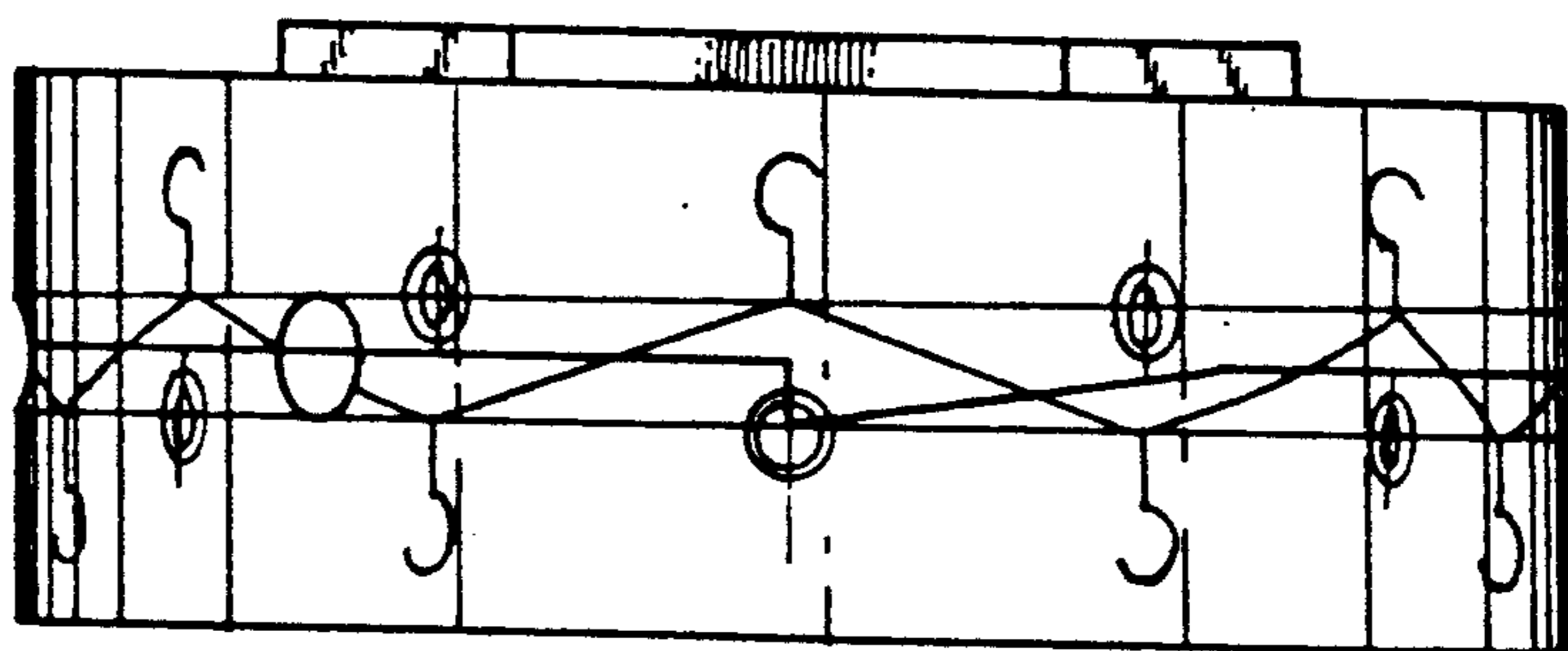


FIG. 4

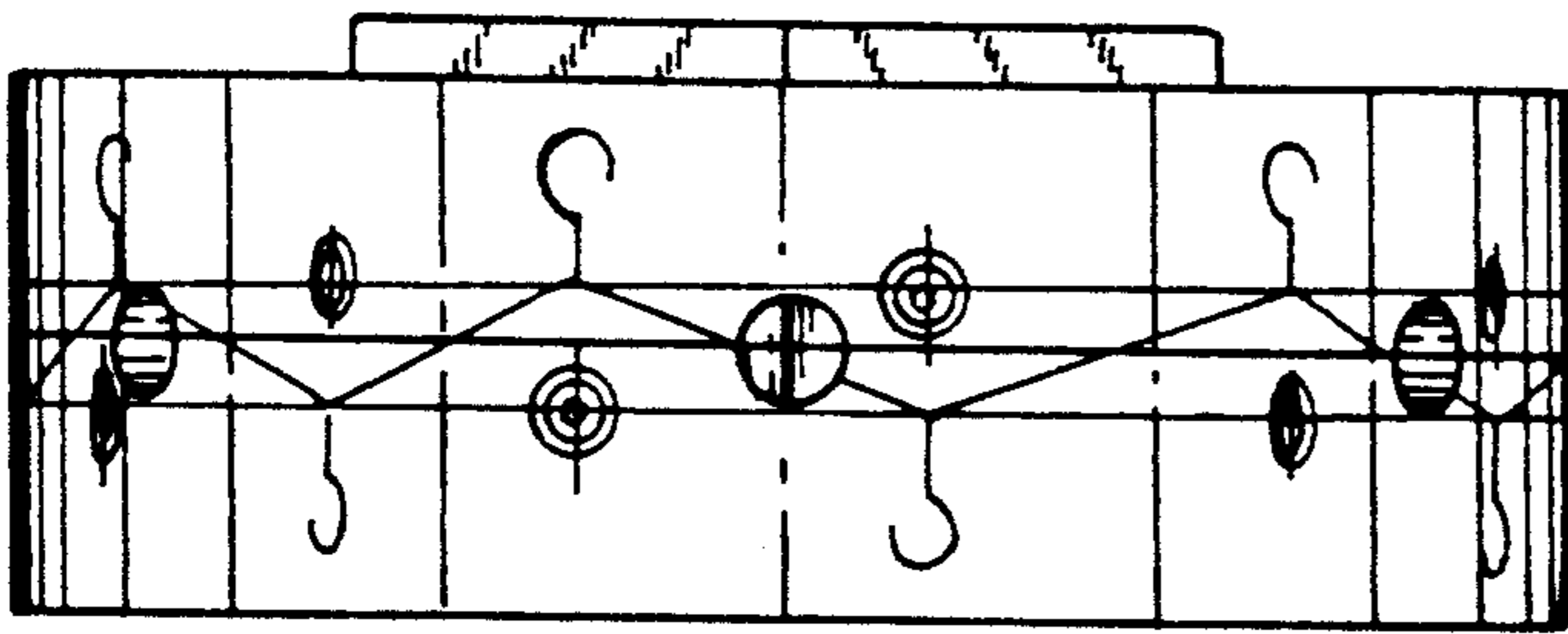


FIG. 2

FIG. 3

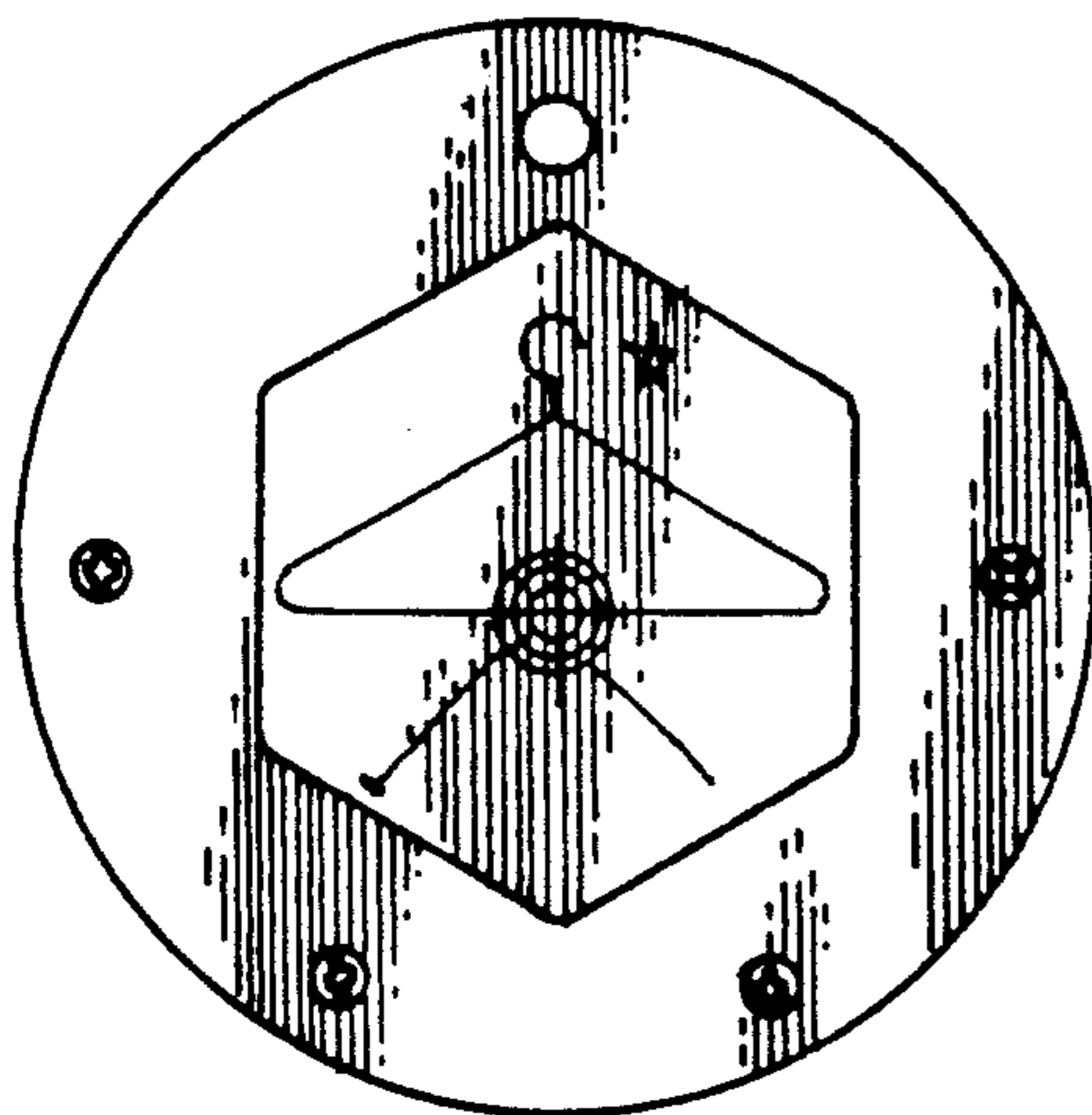
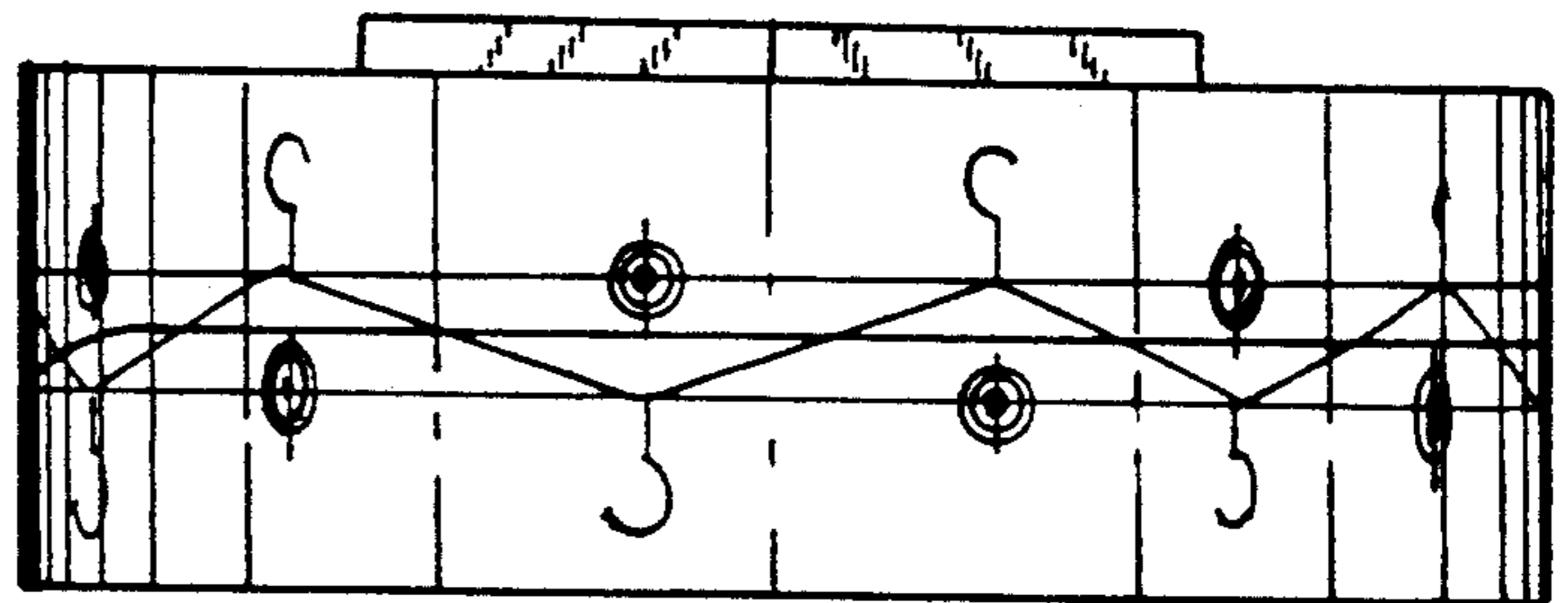


FIG. 5

FIG. 6

