



US00D344081S

United States Patent [19]

[11] Patent Number: **Des. 344,081**

Hollinger et al.

[45] Date of Patent: **** Feb. 8, 1994**

[54] OVERARM BLADE GUARD SYSTEM

[75] Inventors: **David N. Hollinger**, Glenshaw; **Louis C. Brickner**, Pittsburgh; **Stephen O. Sutton**, Wexford; **Charles J. Baird**, Pittsburgh, all of Pa.

[73] Assignee: **Delta International Machinery Corporation**, Pittsburgh, Pa.

[**] Term: **14 Years**

[21] Appl. No.: **918,422**

[22] Filed: **Jul. 29, 1992**

[52] U.S. Cl. **D15/133**

[58] Field of Search 83/100, 397, 397.1, 83/398, 477, 478, 477.1, 477.2; D15/133, 141

4,625,604 12/1986 Handler et al. .
4,875,398 10/1989 Taylor et al. .
4,909,111 3/1990 Noble 83/397
5,165,317 11/1992 Findley 83/471.3 X

OTHER PUBLICATIONS

Altendorf Product Literature.
Biesemeyer Product Literature.
Delta Product Literature.
Excalibur Product Literature.
HTC Product Literature.
Surty Product Literature.

Primary Examiner—Alan P. Douglas
Assistant Examiner—Antoine D. Davis
Attorney, Agent, or Firm—Merchant, Gould, Smith, Edell, Welter & Schmidt

[56] References Cited

U.S. PATENT DOCUMENTS

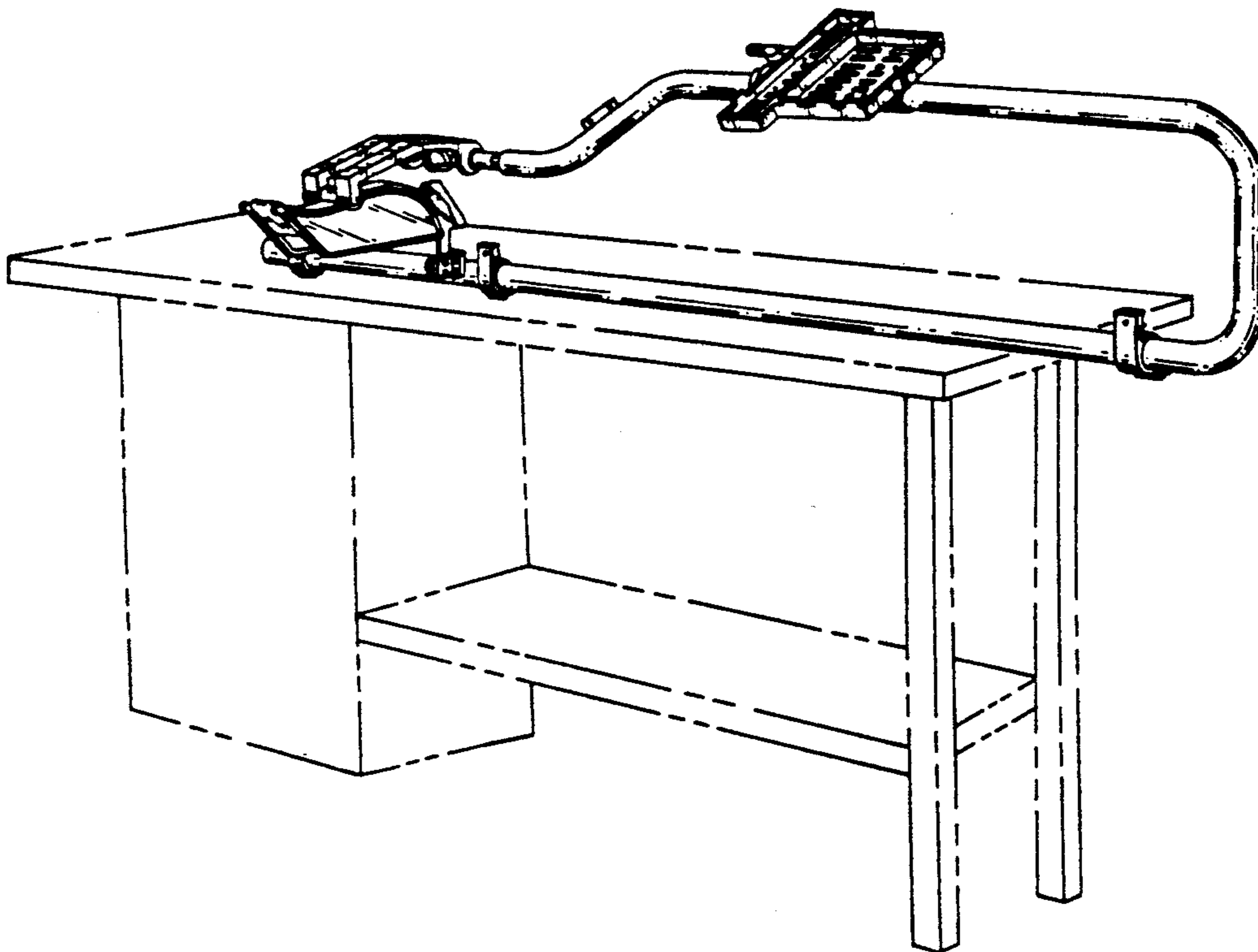
- 1,526,128 2/1925 Flohr .
- 1,993,219 3/1935 Meerigan .
- 2,487,396 11/1949 Summers .
- 2,496,613 2/1950 Woodward .
- 2,679,871 6/1954 Ford .
- 2,801,656 8/1957 Ford .
- 2,913,926 11/1959 Hammond .
- 3,104,688 9/1963 Bretthauer .
- 3,105,530 10/1963 Peterson .
- 3,232,326 2/1966 Speer et al. .
- 3,249,134 5/1966 Vogl et al. .
- 3,315,716 4/1967 Mytinger .
- 3,837,383 9/1974 Ko .
- 3,880,032 4/1975 Green .
- 4,614,140 9/1986 Macksound .

[57] CLAIM

The ornamental design for an overarm blade guard system, as shown and described.

DESCRIPTION

FIG. 1 is a top, front, and right side perspective view of an overarm blade guard system showing our new design;
FIG. 2 is a front elevational view thereof;
FIG. 3 is a rear elevational view thereof;
FIG. 4 is a right side elevational view thereof;
FIG. 5 is a left side elevational view thereof;
FIG. 6 is a top plan view thereof; and,
FIG. 7 is a bottom plan view thereof.
The broken line showing of a table is for illustrative purposes only and forms no part of the claimed design.



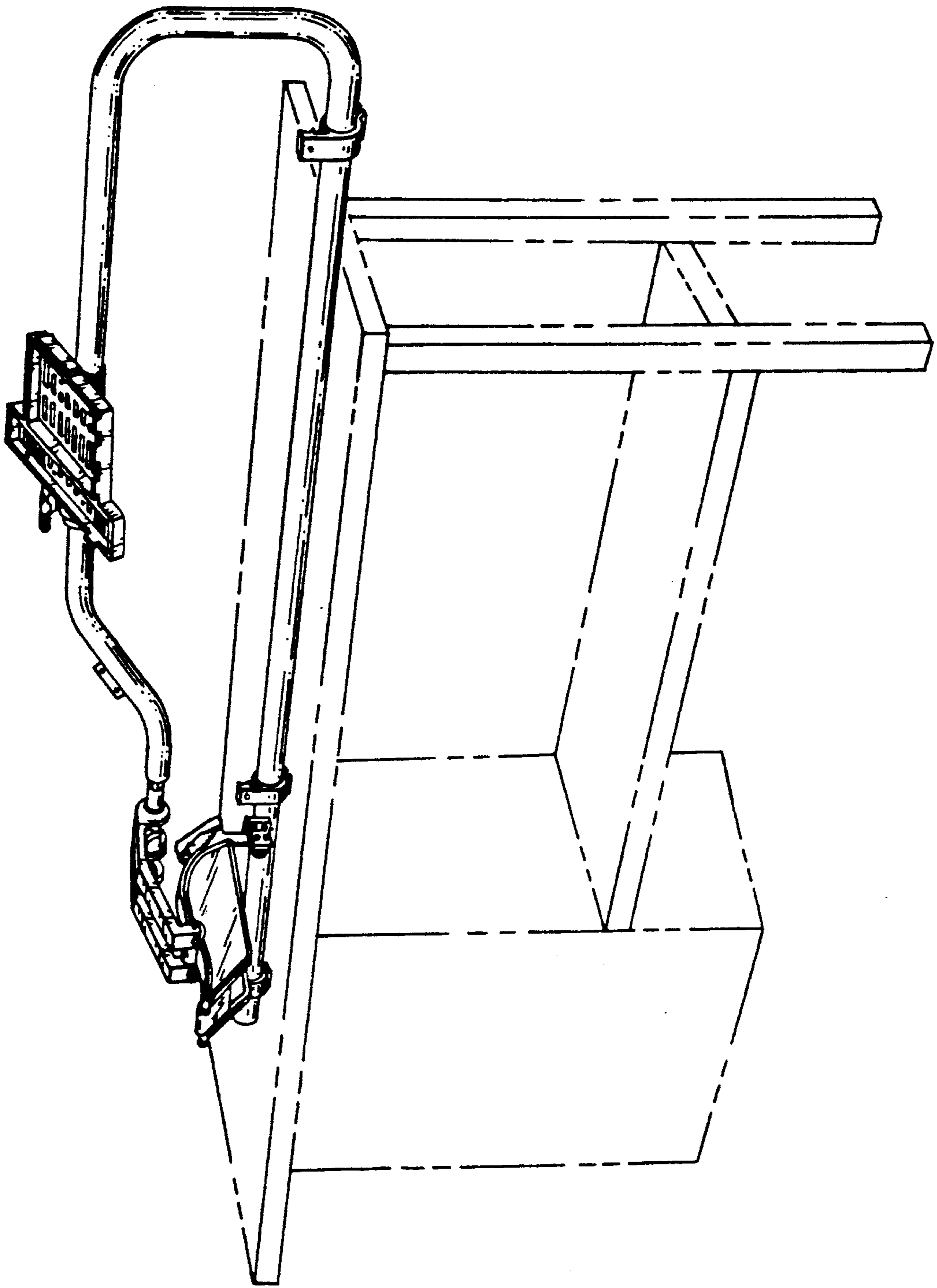


FIG. 1

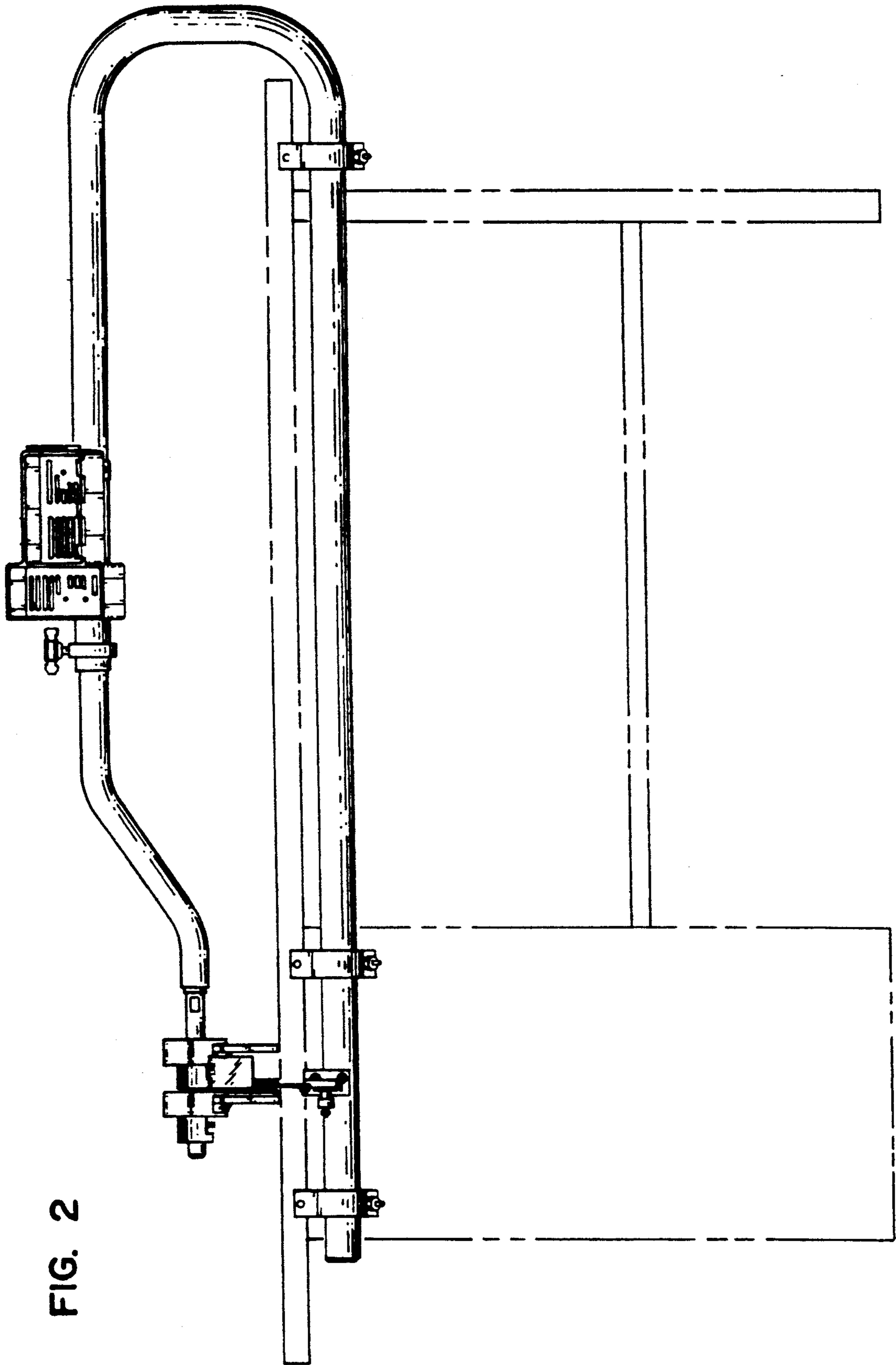


FIG. 2

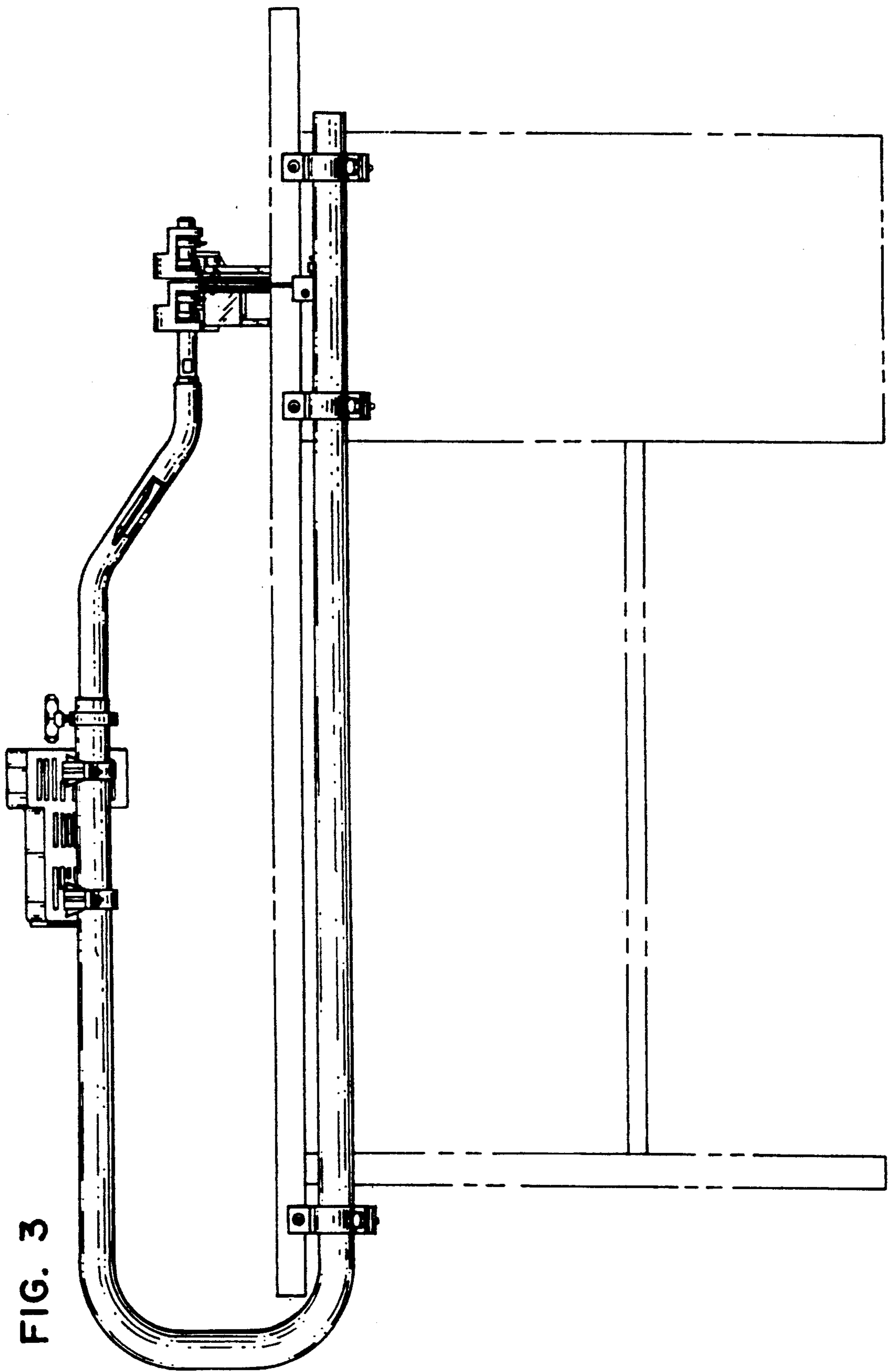


FIG. 3

FIG. 4

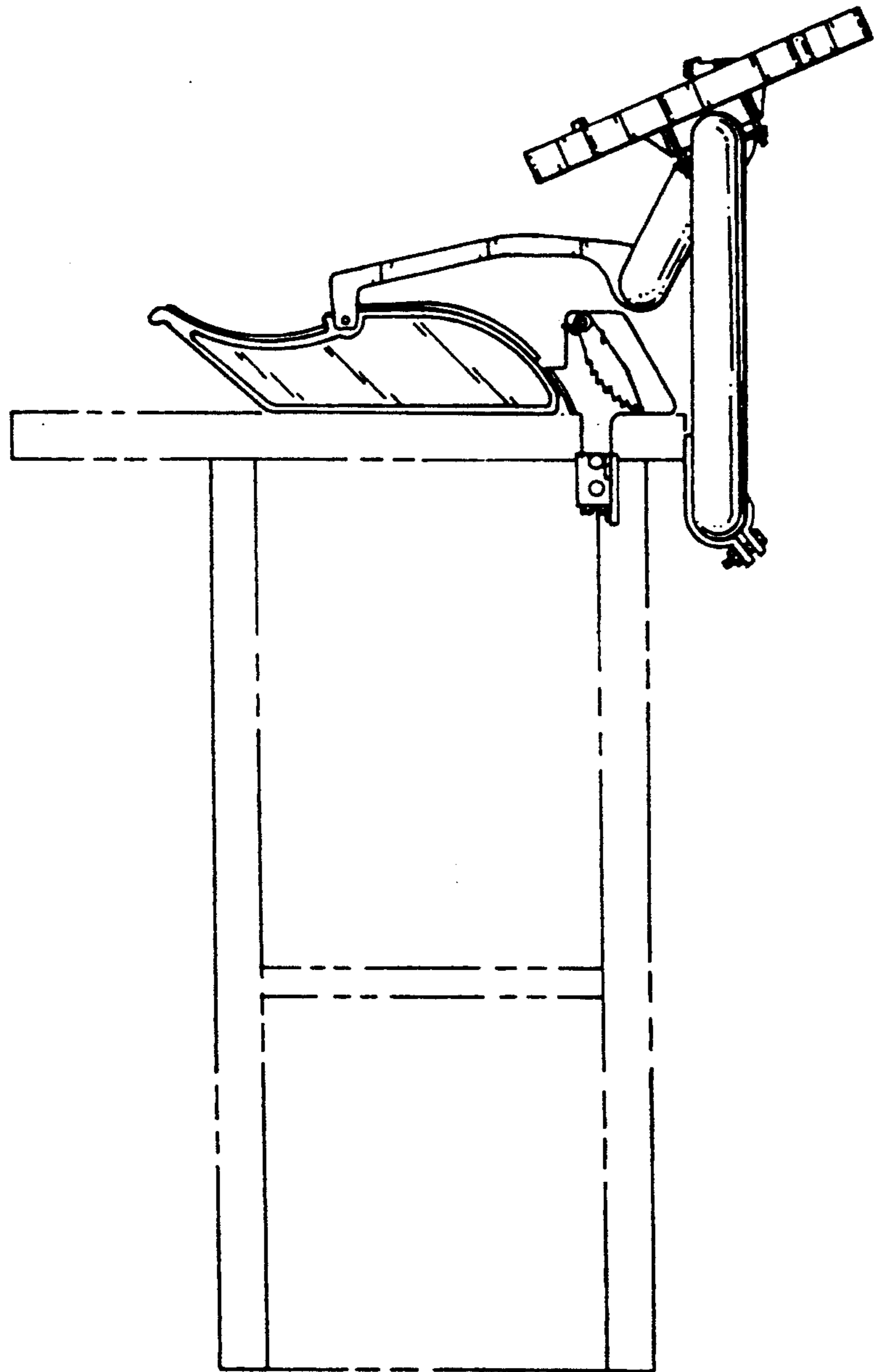


FIG. 5

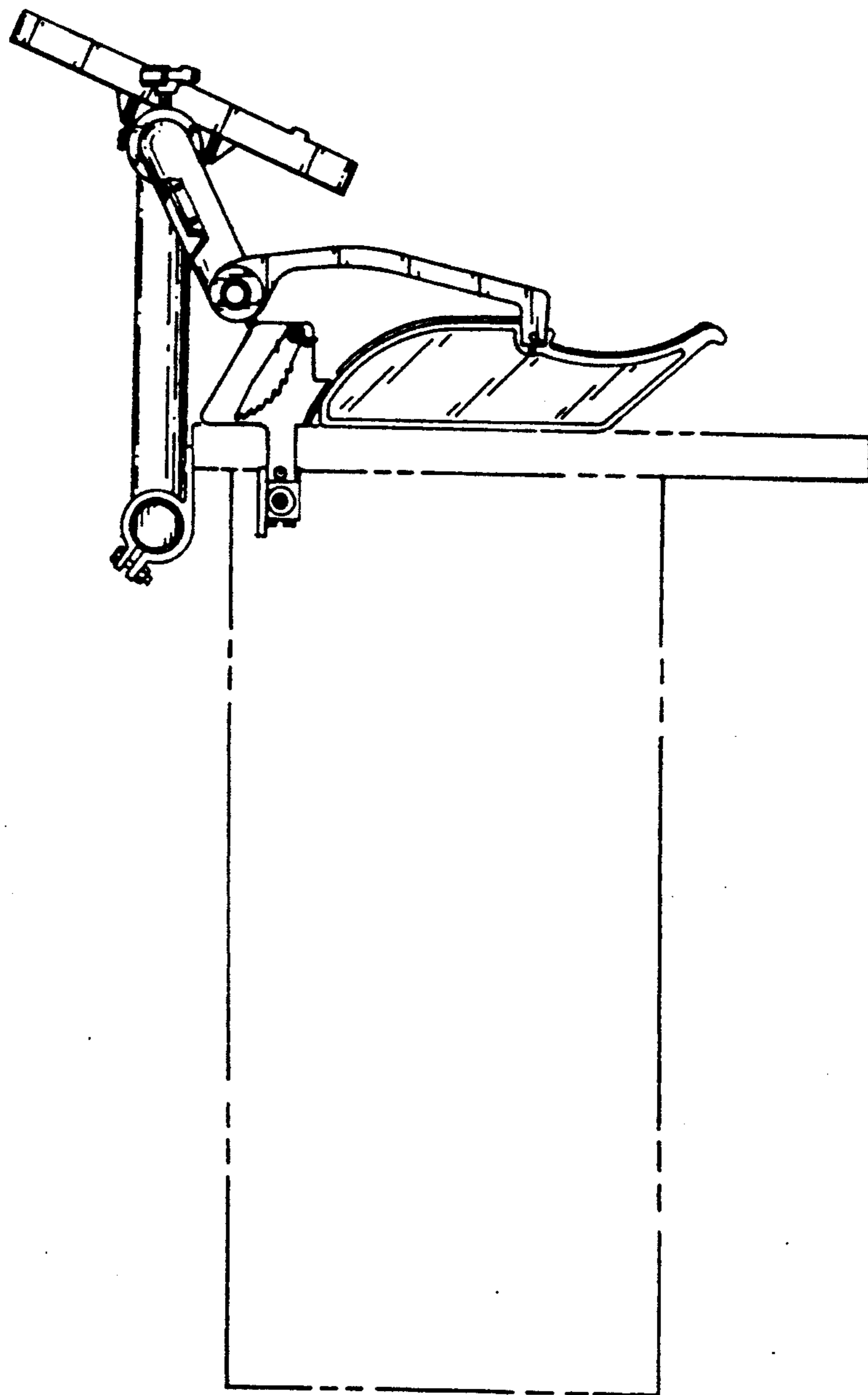
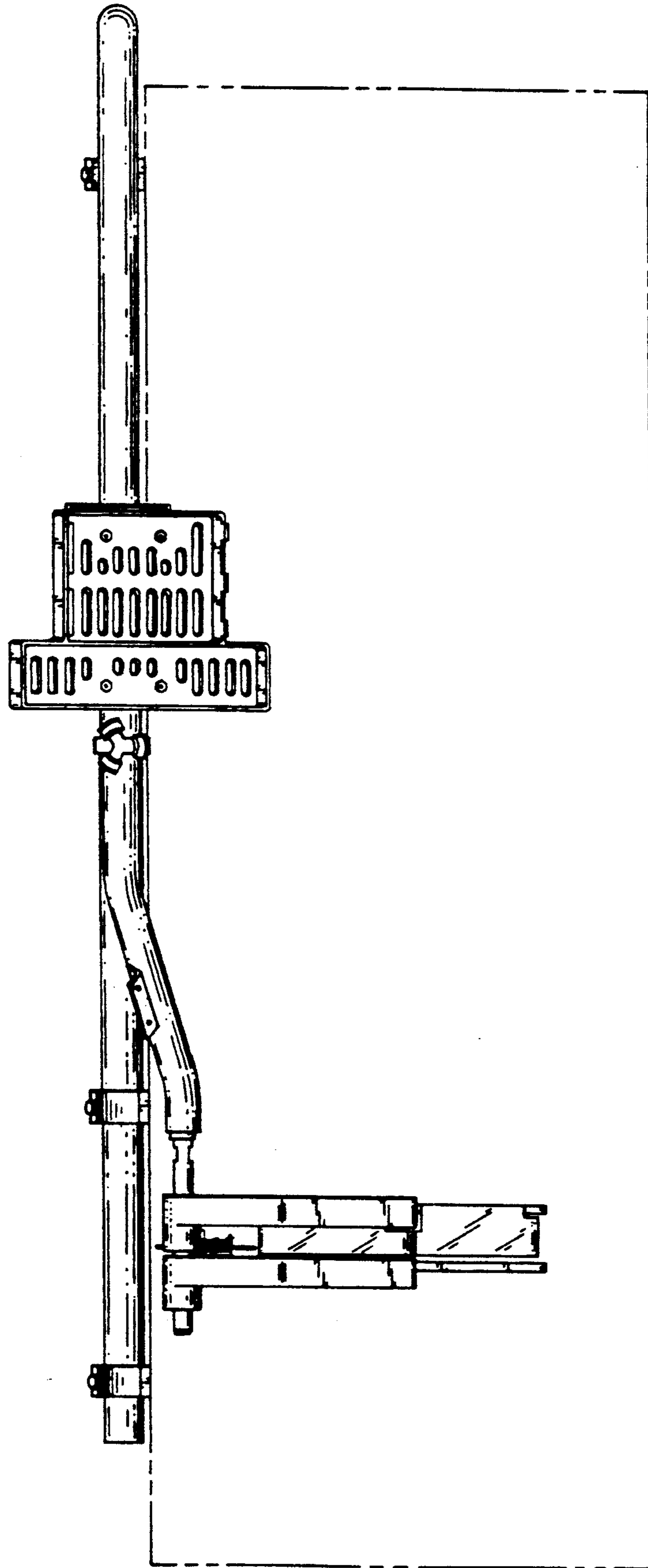


FIG. 6



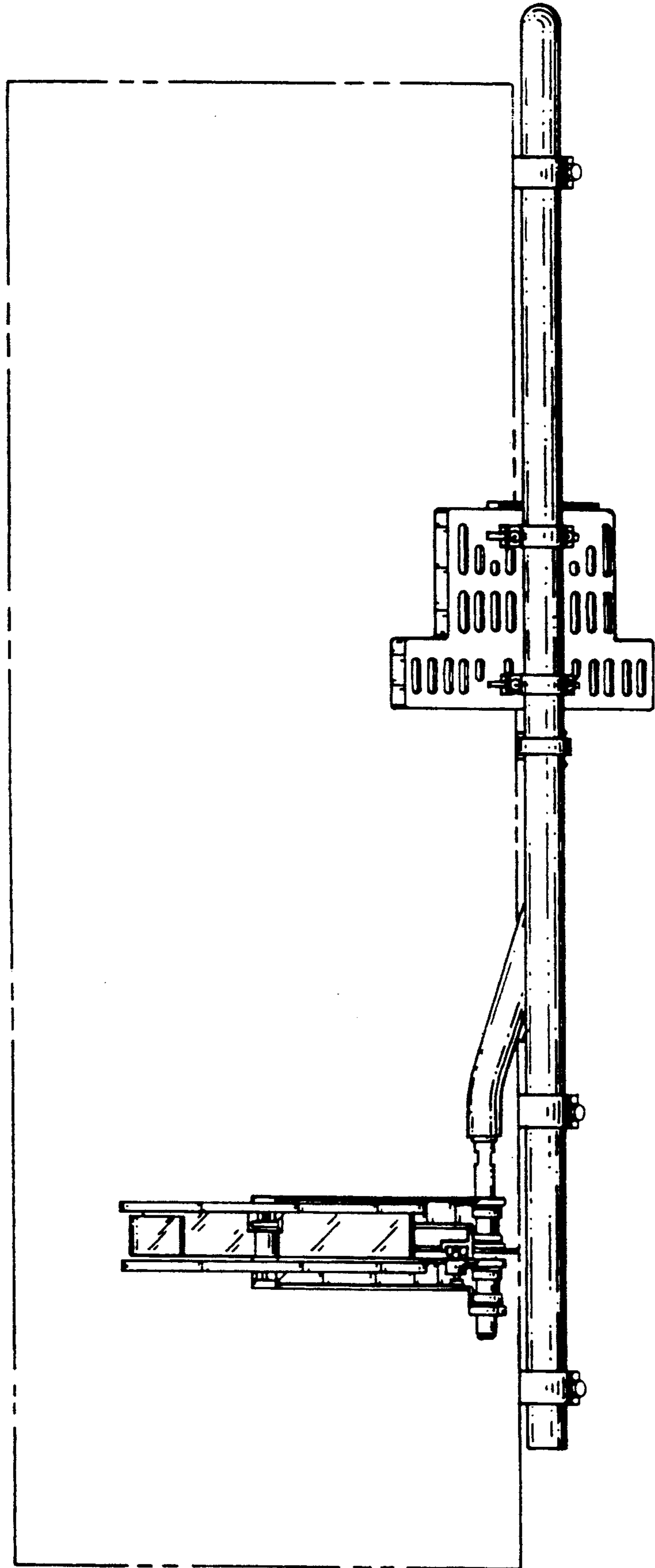


FIG. 7