



US00D344078S

# United States Patent [19]

[11] Patent Number: Des. 344,078

Inukai et al.

[45] Date of Patent: \*\* Feb. 8, 1994

[54] **FACSIMILE TRANSMITTER-RECEIVER**

[75] Inventors: **Yoshinori Inukai, Tokyo; Tsutomu Yoshihara, Ayase; Hiroshi Komatsu, Yokohama; Yoshiyuki Matsuda, Kobubunji; Hideki Kawai, Tokyo, all of Japan**

[73] Assignee: **Canon Kabushiki Kaisha, Tokyo, Japan**

[\*\*] Term: **14 Years**

[21] Appl. No.: **909,431**

[22] Filed: **Jul. 6, 1992**

[30] **Foreign Application Priority Data**

Jan. 14, 1992 [JP] Japan ..... 4-687

[52] U.S. Cl. .... **D14/118**

[58] Field of Search ..... 358/400-404;  
D14/116, 118, 124, 299

[56] **References Cited**

**U.S. PATENT DOCUMENTS**

- D. 265,096 6/1982 Masaki ..... D16/31
- D. 268,581 4/1983 Kikuchi ..... D14/94
- D. 268,582 4/1983 Kikuchi ..... D14/94
- D. 282,842 3/1986 Yomo ..... D14/94
- D. 285,560 9/1986 Hoshino ..... D14/118
- D. 293,574 1/1988 Kando et al. .... D14/94
- D. 294,703 3/1988 Kando ..... D14/94
- D. 300,136 3/1989 Kando et al. .... D14/118
- D. 304,185 10/1989 Yoshihara ..... D14/118
- D. 304,187 10/1989 Komatsu ..... D14/118

- D. 311,914 11/1990 Yoshihara ..... D14/118
- D. 312,079 11/1990 Komatsu ..... D14/118
- D. 312,252 11/1990 Nishio, et al. .... D14/118
- D. 312,253 11/1990 Yoshihara ..... D14/118
- D. 315,338 3/1991 Yoshihara ..... D14/118
- D. 315,341 3/1991 Komatsu ..... D14/118
- D. 315,342 3/1991 Yoshihara ..... D14/118
- D. 315,344 3/1991 Yoshihara ..... D14/118
- D. 315,555 3/1991 Komatsu ..... D14/118
- D. 315,726 3/1991 Inukai ..... D14/118
- D. 328,600 8/1992 Yomo ..... D14/118
- D. 328,738 8/1992 Komatsu ..... D14/118
- D. 328,740 8/1992 Inukai ..... D14/118
- D. 329,047 9/1992 Inukai ..... D14/118
- D. 329,230 9/1992 Masuda ..... D14/118
- D. 331,925 12/1992 Sawada et al. .... D14/118
- D. 333,302 2/1993 Ebihara et al. .... D14/118

*Primary Examiner*—Theodore M. Shooman  
*Attorney, Agent, or Firm*—Fitzpatrick, Cella, Harper & Scinto

[57] **CLAIM**

The ornamental design for a facsimile transmitter-receiver, as shown and described.

**DESCRIPTION**

FIG. 1 is a front elevational view of a facsimile transmitter-receiver showing our new design; FIG. 2 is a rear elevational view thereof; FIG. 3 is a top plan view thereof; FIG. 4 is a bottom plan view thereof; FIG. 5 is a left side elevational view thereof; FIG. 6 is a right side elevational view thereof; and, FIG. 7 is a perspective view thereof.

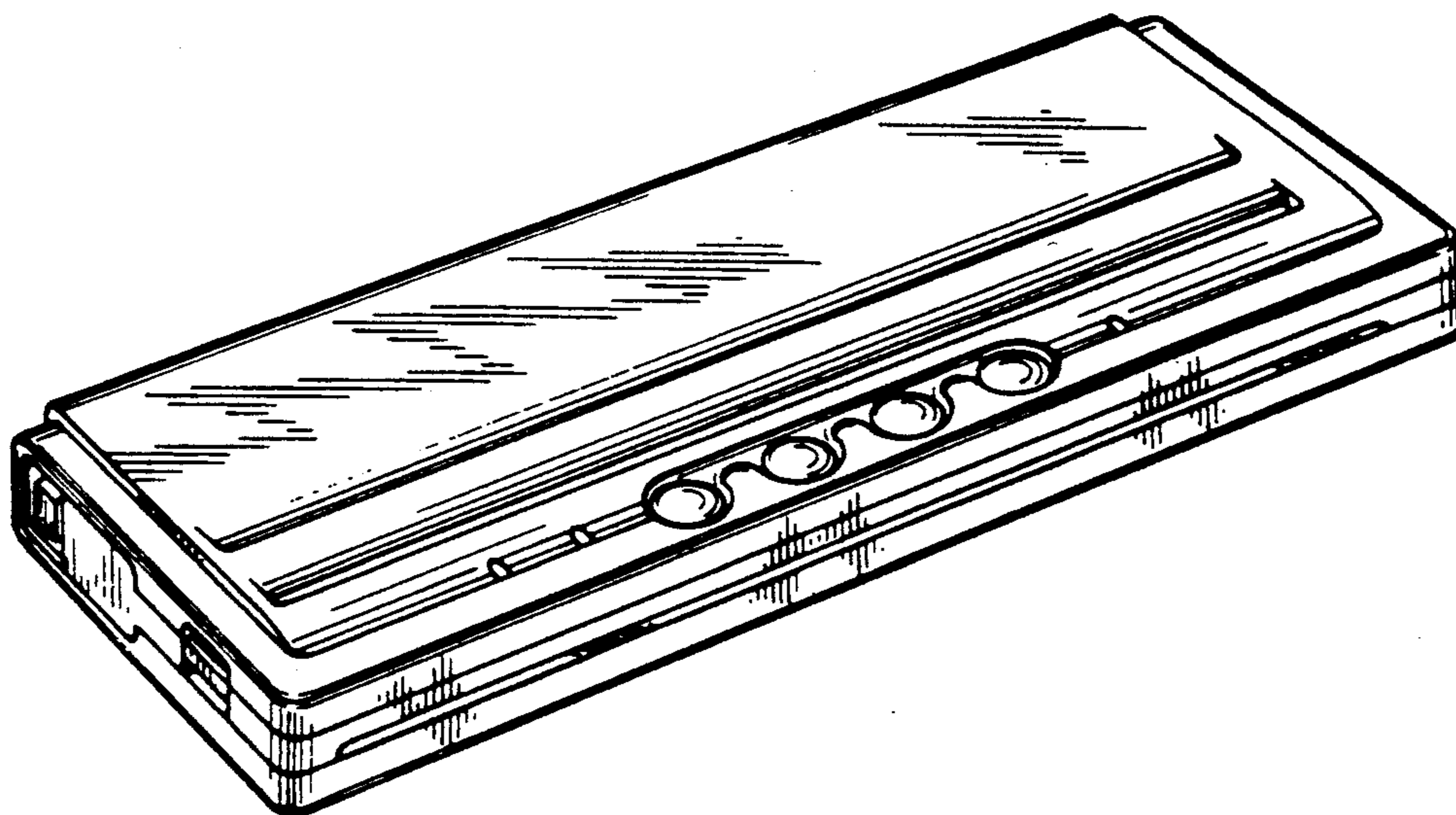


FIG. 1

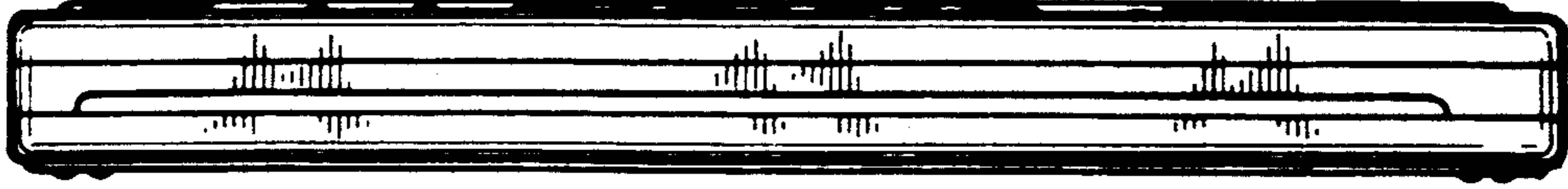


FIG. 2

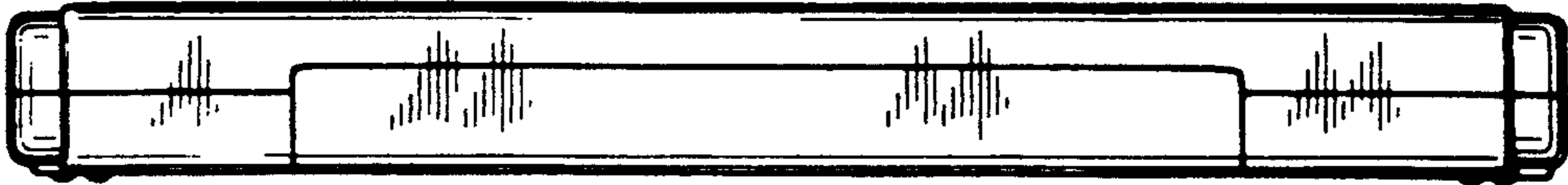


FIG. 3

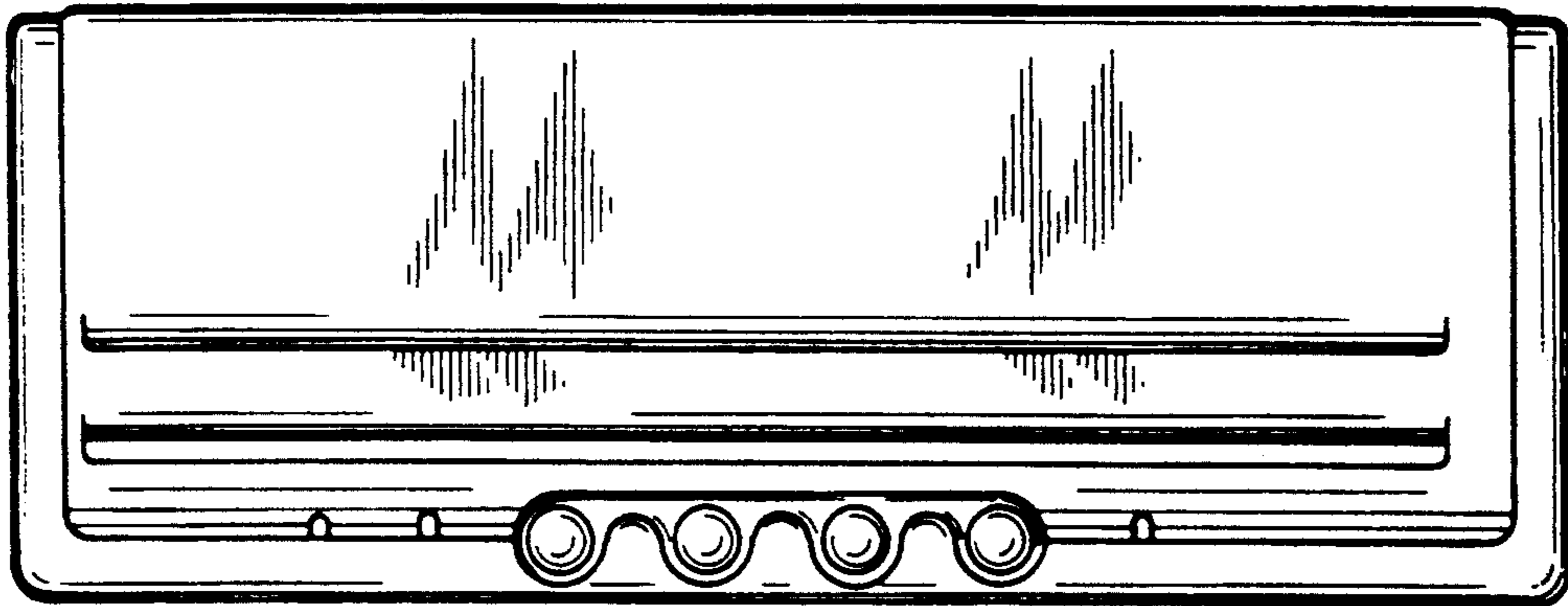
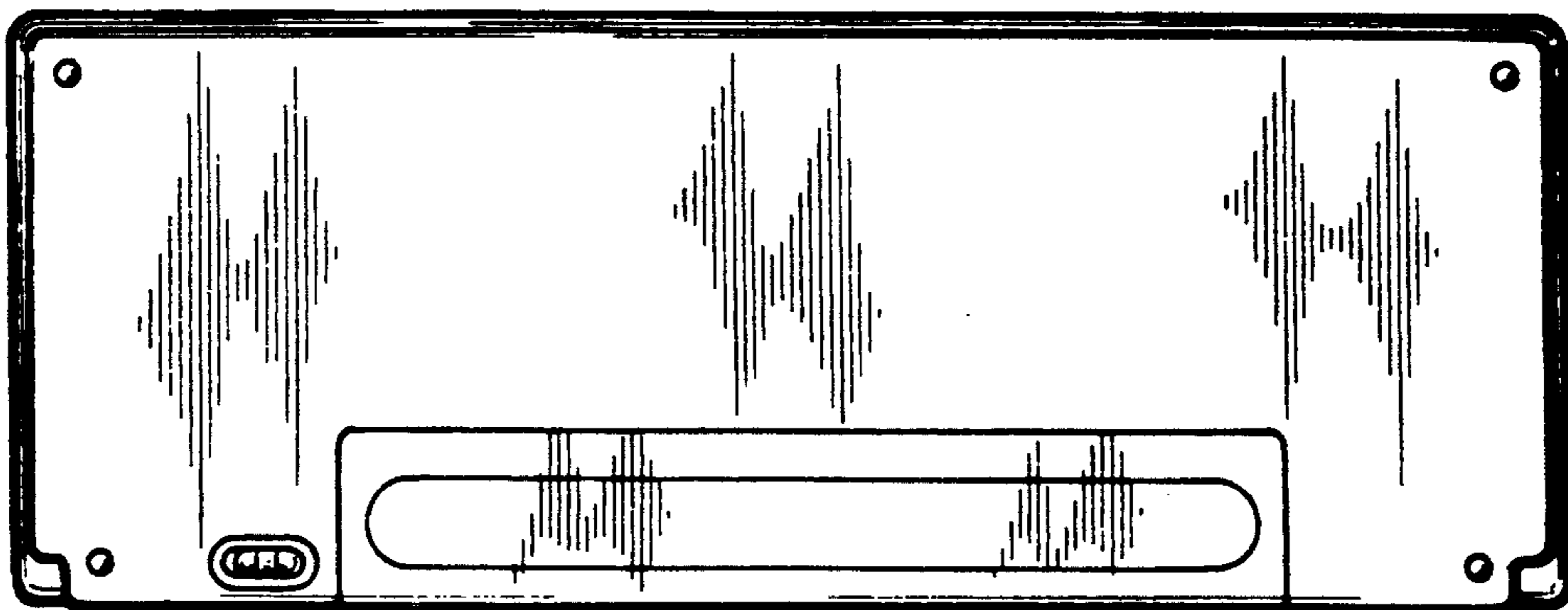


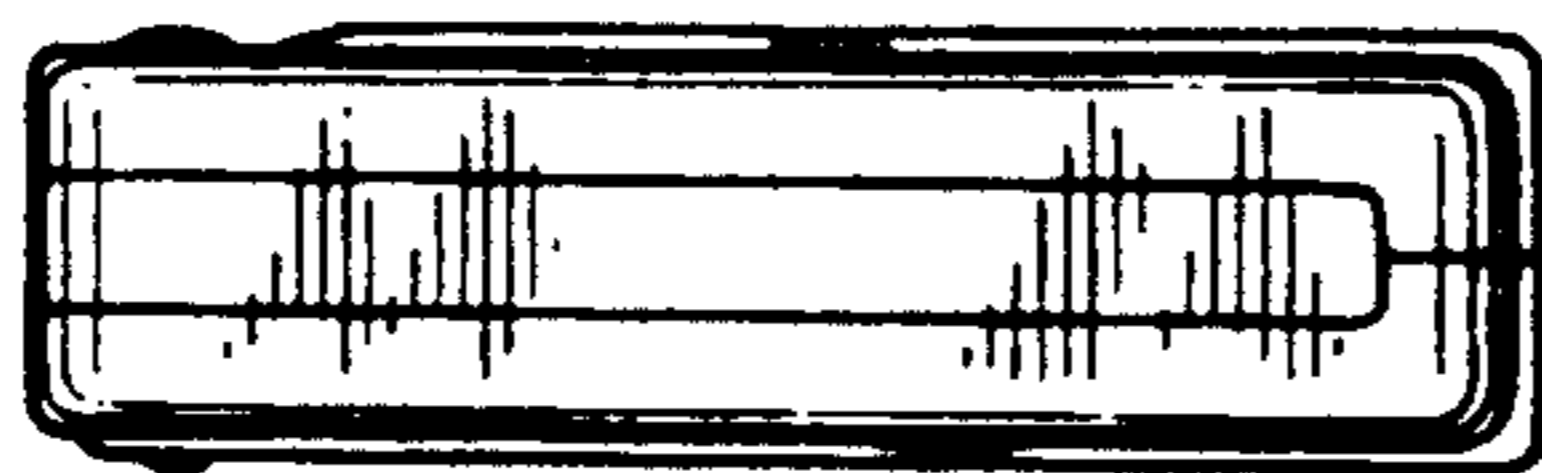
FIG. 4



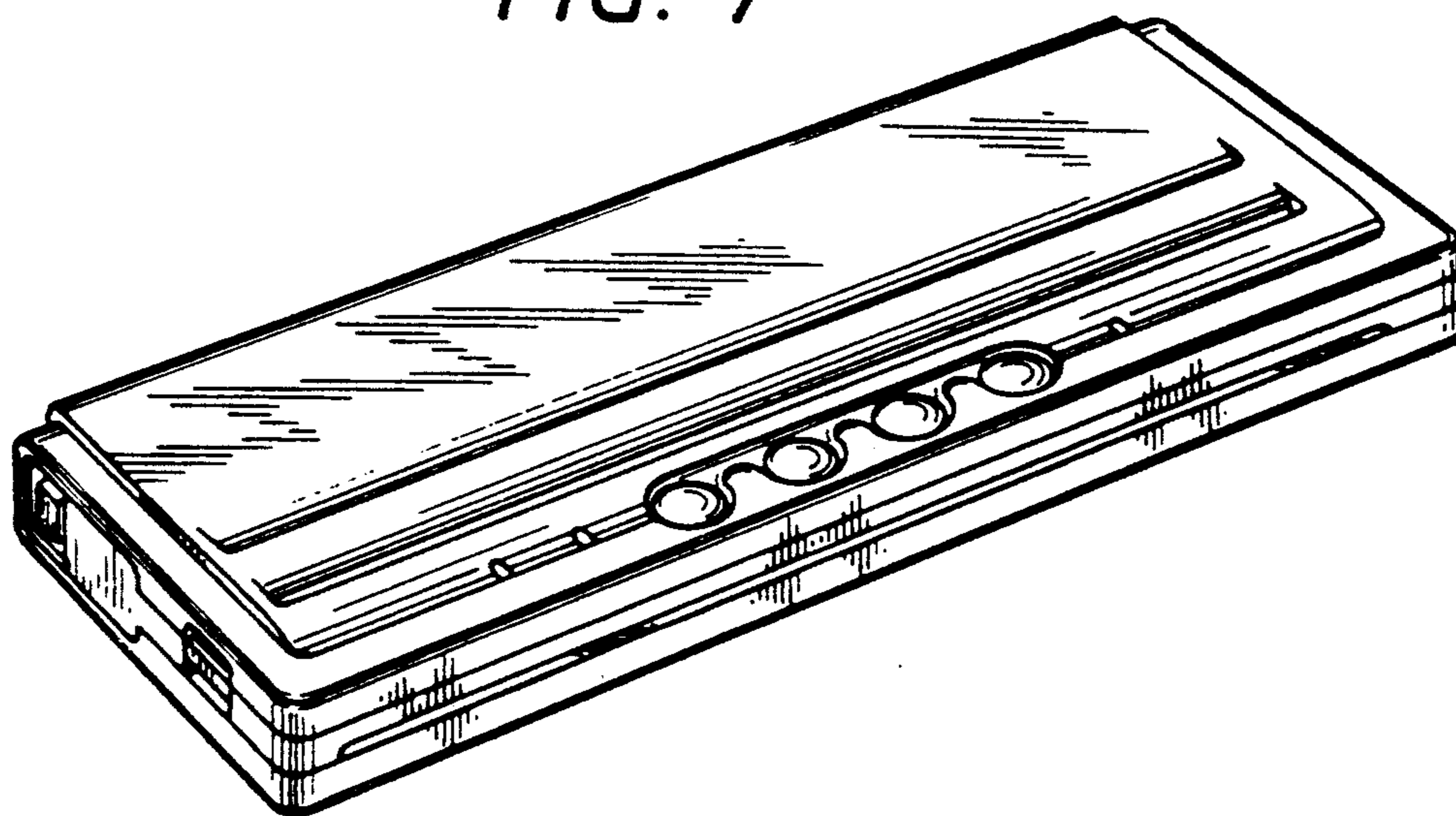
*FIG. 5*



*FIG. 6*



*FIG. 7*



UNITED STATES PATENT AND TRADEMARK OFFICE  
**CERTIFICATE OF CORRECTION**

PATENT NO. : Des. 344,078  
DATED : February 8, 1994  
INVENTOR(S) : YOSHINORI INUKAI ET AL.

It is certified that error appears in the above-identified patent and that said Letters Patent is hereby corrected as shown below:

TITLE PAGE

AT [75] INVENTOR

"Yoshiyuki Matsuda, Kobubunji;" should read  
--Yoshiyuki Matsuda, Kokubunji;--.

Signed and Sealed this  
Seventeenth Day of January, 1995

Attest:



BRUCE LEHMAN

Attesting Officer

Commissioner of Patents and Trademarks