



US00D344063S

# United States Patent [19]

[11] Patent Number: **Des. 344,063**

Letarte et al.

[45] Date of Patent: **\*\* Feb. 8, 1994**

[54] **INSULATOR FOR AN ELECTRIC FENCE**

[75] Inventors: **Lucien Letarte,**  
**Notre-Dame-des-Prairies; Roméo**  
**Boyer, Verdun, both of Canada**

[73] Assignee: **Financière Inter-Plus Inc.,**  
**Longueuil, Canada**

[\*\*] Term: **14 Years**

[21] Appl. No.: **645,271**

[22] Filed: **Jan. 22, 1991**

[52] U.S. Cl. .... **D13/131**

[58] Field of Search ..... **174/40 R, 45 R, 146,**  
**174/147, 154, 158 R, 158 F, 161 F, 168, 174,**  
**175; 256/10, 11; D13/129, 131, 132**

[56] **References Cited**

**U.S. PATENT DOCUMENTS**

D. 185,959	8/1959	Schroeder	.....	D13/184
D. 209,054	10/1967	Braiman et al.	.....	D13/125
346,972	8/1886	Wilson	.....	174/168
556,194	3/1896	Meaher	.....	256/54 X
664,176	12/1900	Risler	.....	256/54 X
726,846	5/1903	Bell	.....	256/54 X
770,962	9/1904	Gill	.....	174/168
831,338	9/1906	Glick	.....	174/175
879,033	2/1908	Caldwell	.....	174/174 X
894,616	7/1908	Fay	.....	174/168
919,386	4/1909	Schaub	.....	256/54 X
965,723	7/1910	Malthener	.....	256/54 X
1,530,298	3/1925	Chambless et al.	.....	174/174 X
2,445,099	7/1948	Strauss et al.	.....	174/45 G
2,870,242	1/1959	Wilkerson	.....	174/48 X
2,947,885	8/1960	Muller	.....	256/10 X
3,246,076	4/1966	Stoneburner	.....	256/54 X

3,366,854	1/1968	Robinson	.....	256/10 X
3,370,834	2/1968	Reznicek	.....	256/10
3,531,888	10/1970	Wells et al.	.....	43/21.2
3,999,339	12/1976	Sappenfield	.....	52/717
4,580,767	4/1986	Zimmerman	.....	D13/153 X

**FOREIGN PATENT DOCUMENTS**

493110	5/1953	Canada	.....	256/48
56798	1/1891	Fed. Rep. of Germany	.....	411/55
824358	8/1949	Fed. Rep. of Germany	.....	174/174
2328618	1/1975	Fed. Rep. of Germany	.....	174/168
2458317	6/1976	Fed. Rep. of Germany	.....	411/55
0219083	2/1985	Fed. Rep. of Germany	...	174/158 R
0259708	8/1988	Fed. Rep. of Germany	...	174/158 R
242115	8/1946	Switzerland	.....	256/10
7775	of 1903	United Kingdom	.....	411/55

**OTHER PUBLICATIONS**

FIG. 5 Insulator on p. 38 of HHSmith catalog 820, 1983. Flyaway, Avian Averting System, 519 I.H.30 Suite 250 Rockwall, Tex. 75087.

*Primary Examiner*—Wallace R. Burke  
*Assistant Examiner*—Joel Sincavage  
*Attorney, Agent, or Firm*—ROBIC

[57] **CLAIM**

The ornamental design for an insulator for an electric fence, as shown and described.

**DESCRIPTION**

FIG. 1 is a perspective view of an insulator for an electric fence showing our new design;  
FIG. 2 is a top plan view thereof;  
FIG. 3 is a bottom plan view thereof;  
FIG. 4 is a front elevational view thereof; and,  
FIG. 5 is a side elevational view thereof.

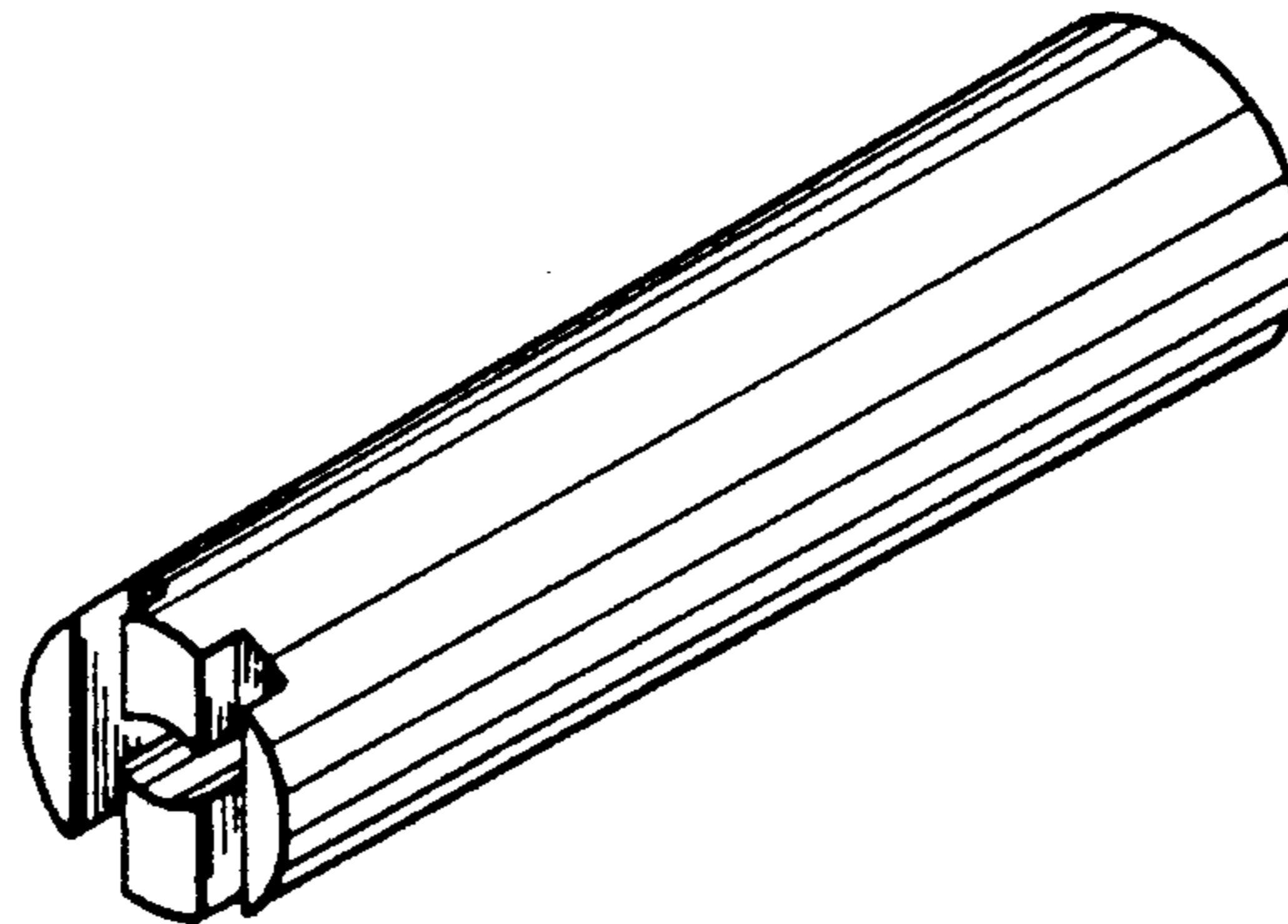


FIG. 1

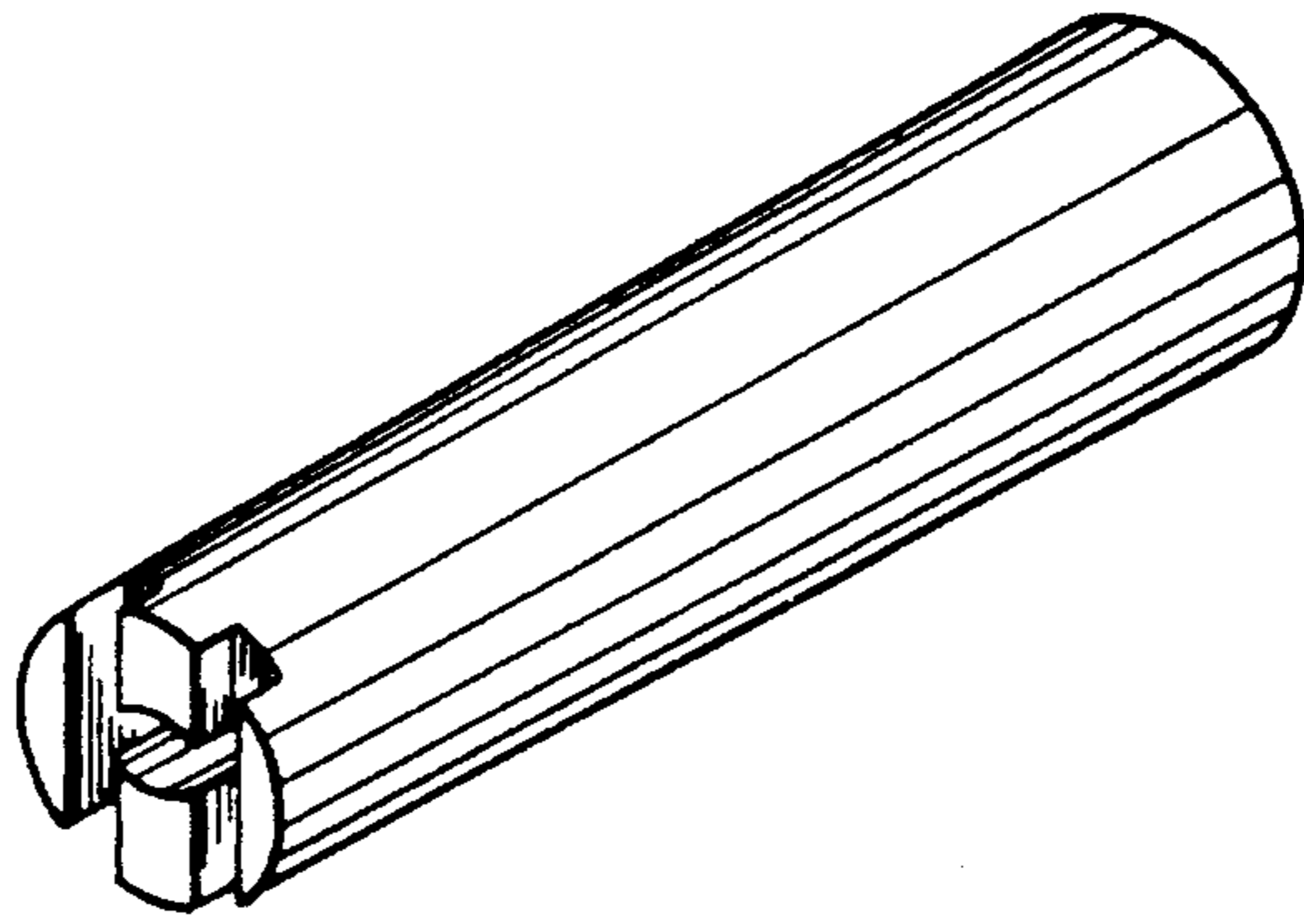


FIG. 2

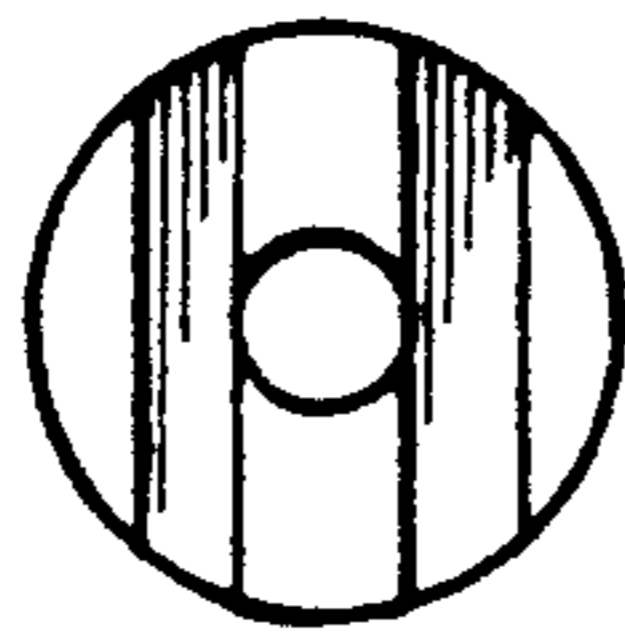


FIG. 3

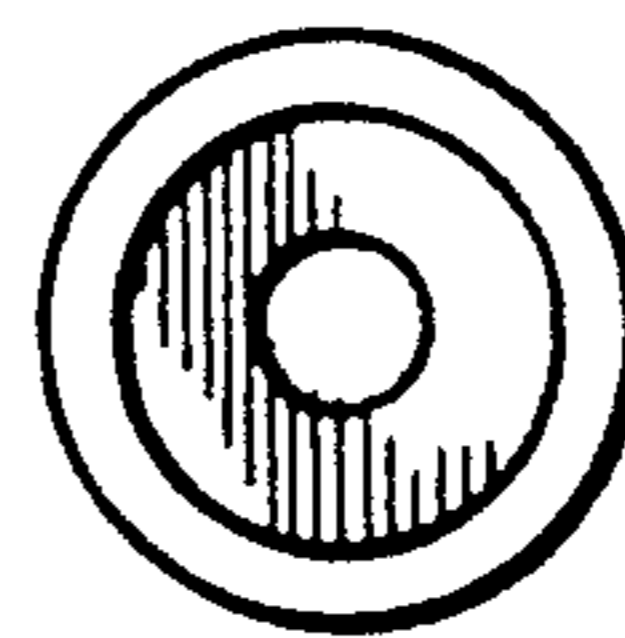


FIG. 4

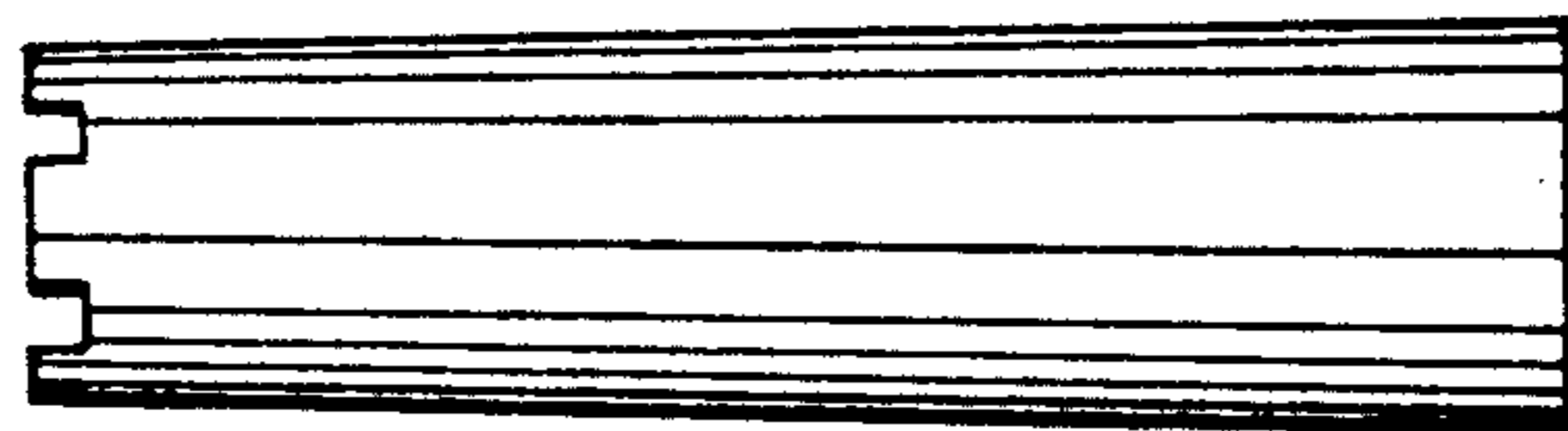


FIG. 5

