



US00D344060S

# United States Patent [19]

[11] Patent Number: **Des. 344,060**

Woodfin

[45] Date of Patent: **\*\* Feb. 8, 1994**

[54] SELF-RELEASE BUCKLE FOR A SAILBOARD HARNESS

### FOREIGN PATENT DOCUMENTS

[76] Inventor: **James D. Woodfin**, 1650 Stewart La., Melbourne, Fla. 32935

3604805 8/1987 Fed. Rep. of Germany ..... 114/39.2  
2543911 10/1984 France ..... 114/39.2  
2625171 6/1989 France ..... 114/39.2

[\*\*] Term: **14 Years**

*Primary Examiner*—Kay H. Chin  
*Attorney, Agent, or Firm*—Wands, Charles E.

[21] Appl. No.: **870,720**

### [57] CLAIM

[22] Filed: **Apr. 20, 1992**

The ornamental design for a self-release buckle for a sailboard harness, as shown and described.

[52] U.S. Cl. .... **D12/317; D12/304; D21/236**

### DESCRIPTION

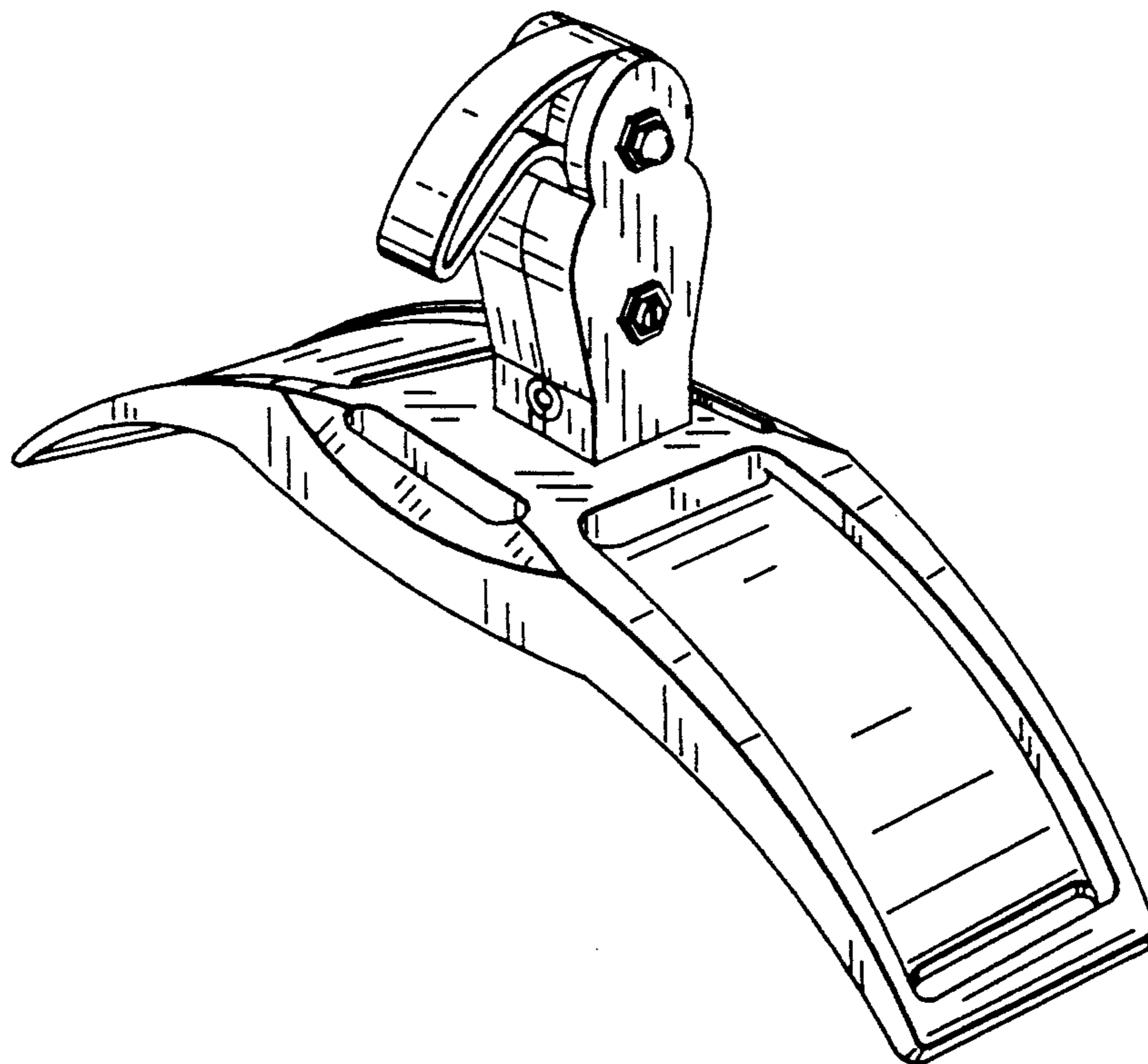
[58] Field of Search ..... **114/39.2, 270; D12/317, D12/303; D21/236**

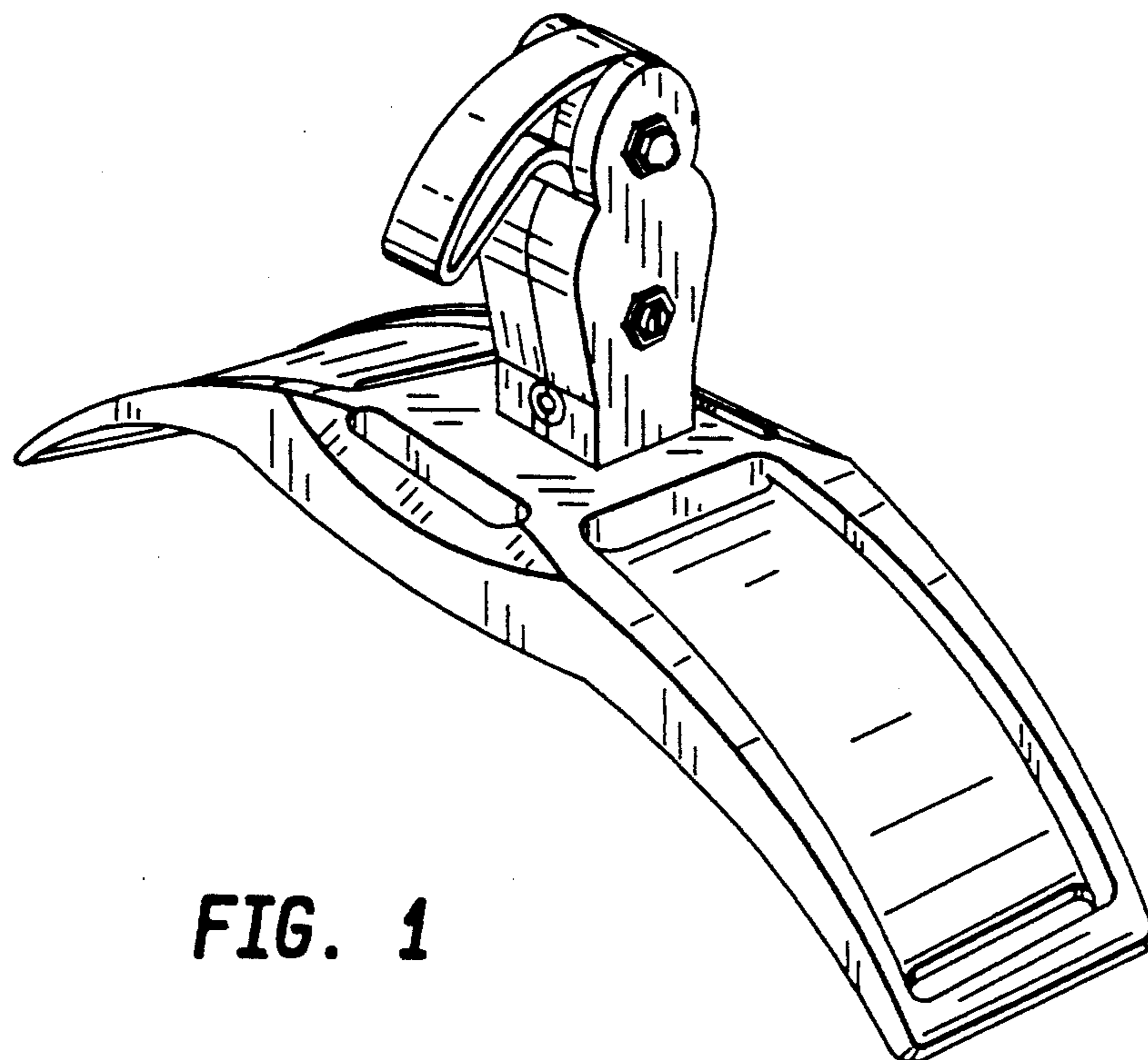
FIG. 1 is a front perspective view of a self-release buckle for a sailboard harness;  
FIG. 2 is a front view thereof;  
FIG. 3 is a rear view thereof;  
FIG. 4 is a left side view thereof;  
FIG. 5 is a right side view thereof;  
FIG. 6 is a bottom view thereof; and,  
FIG. 7 is a top plan view thereof.

### [56] References Cited

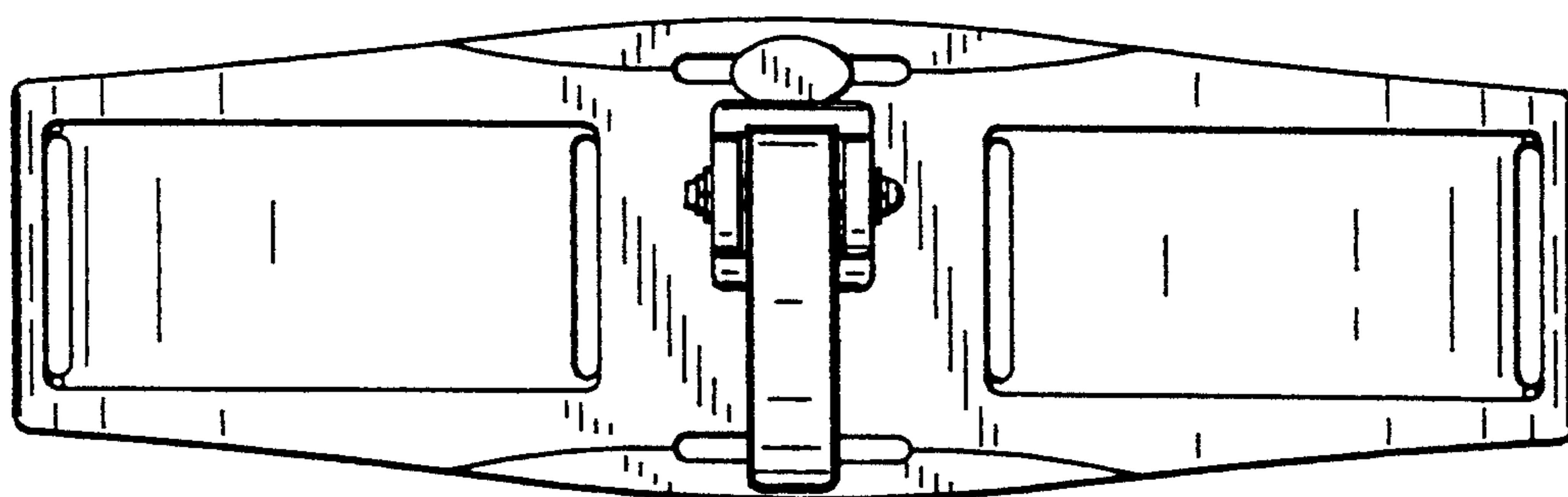
#### U.S. PATENT DOCUMENTS

4,934,297 6/1990 Long ..... 114/39.2





**FIG. 1**



**FIG. 2**

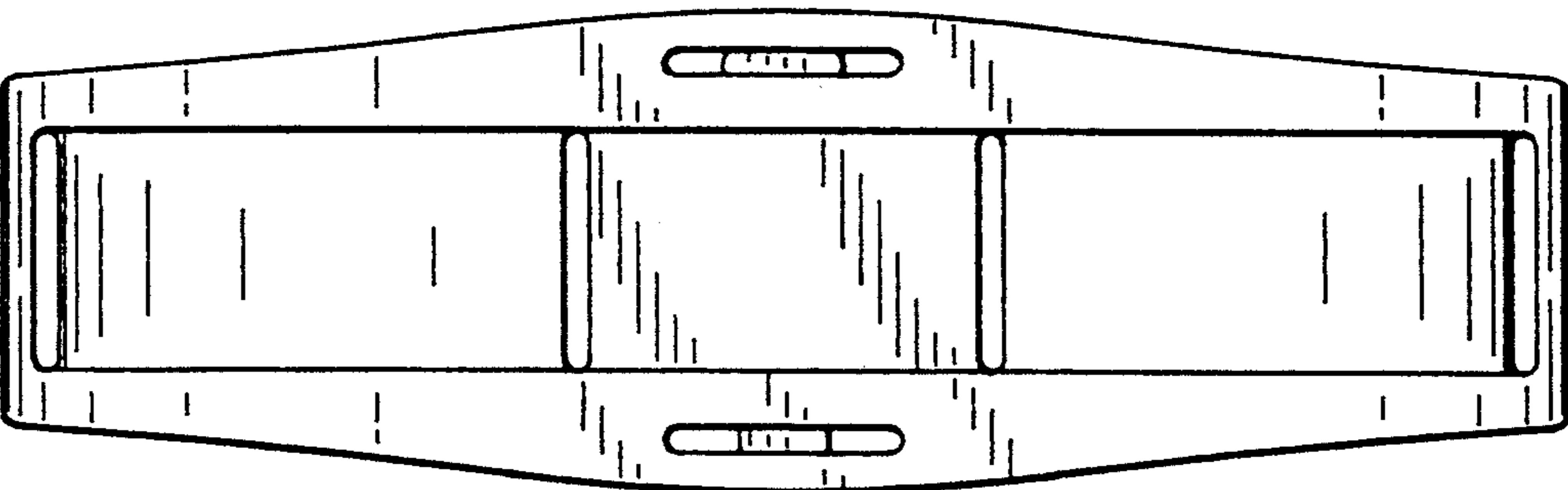


FIG. 3

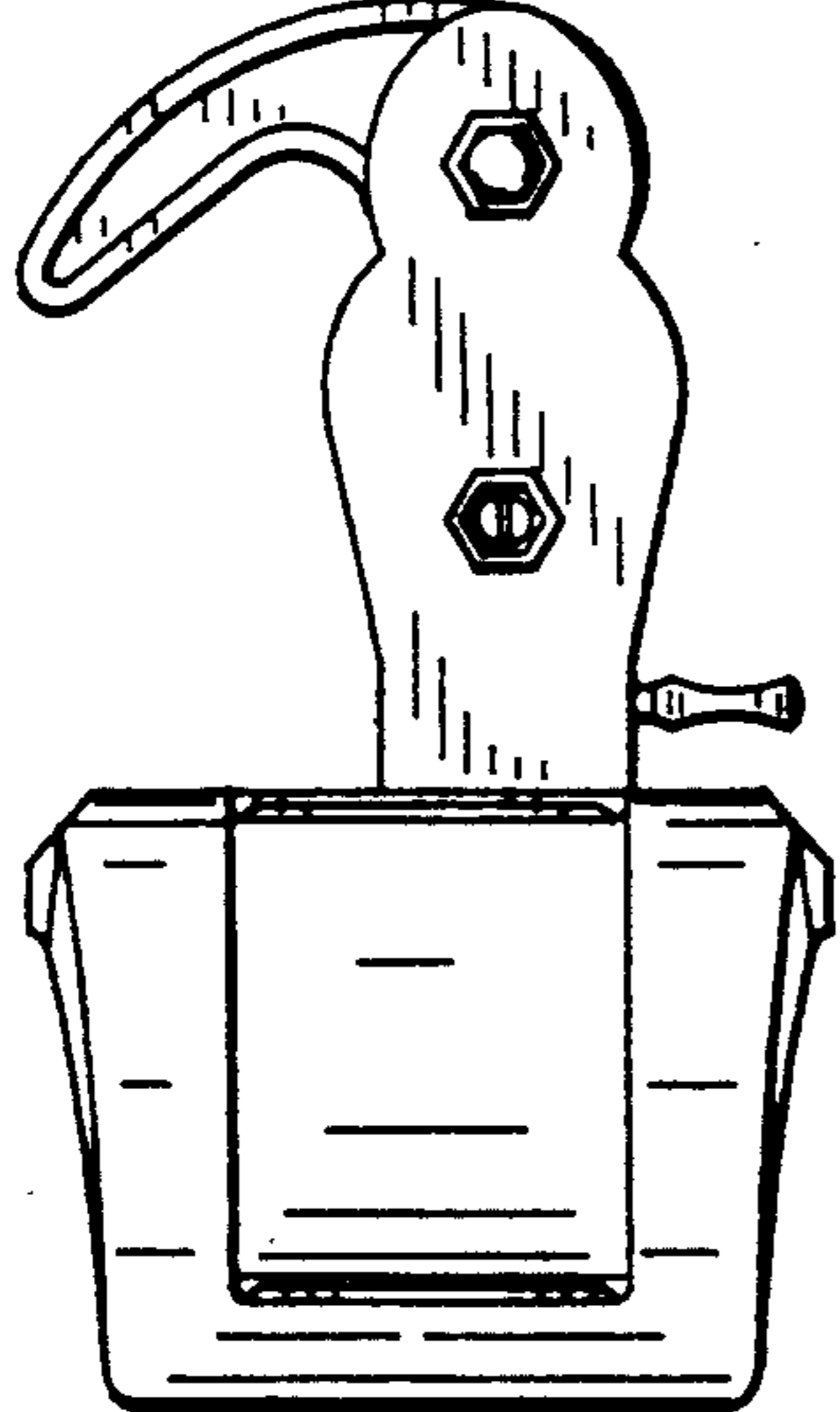


FIG. 4

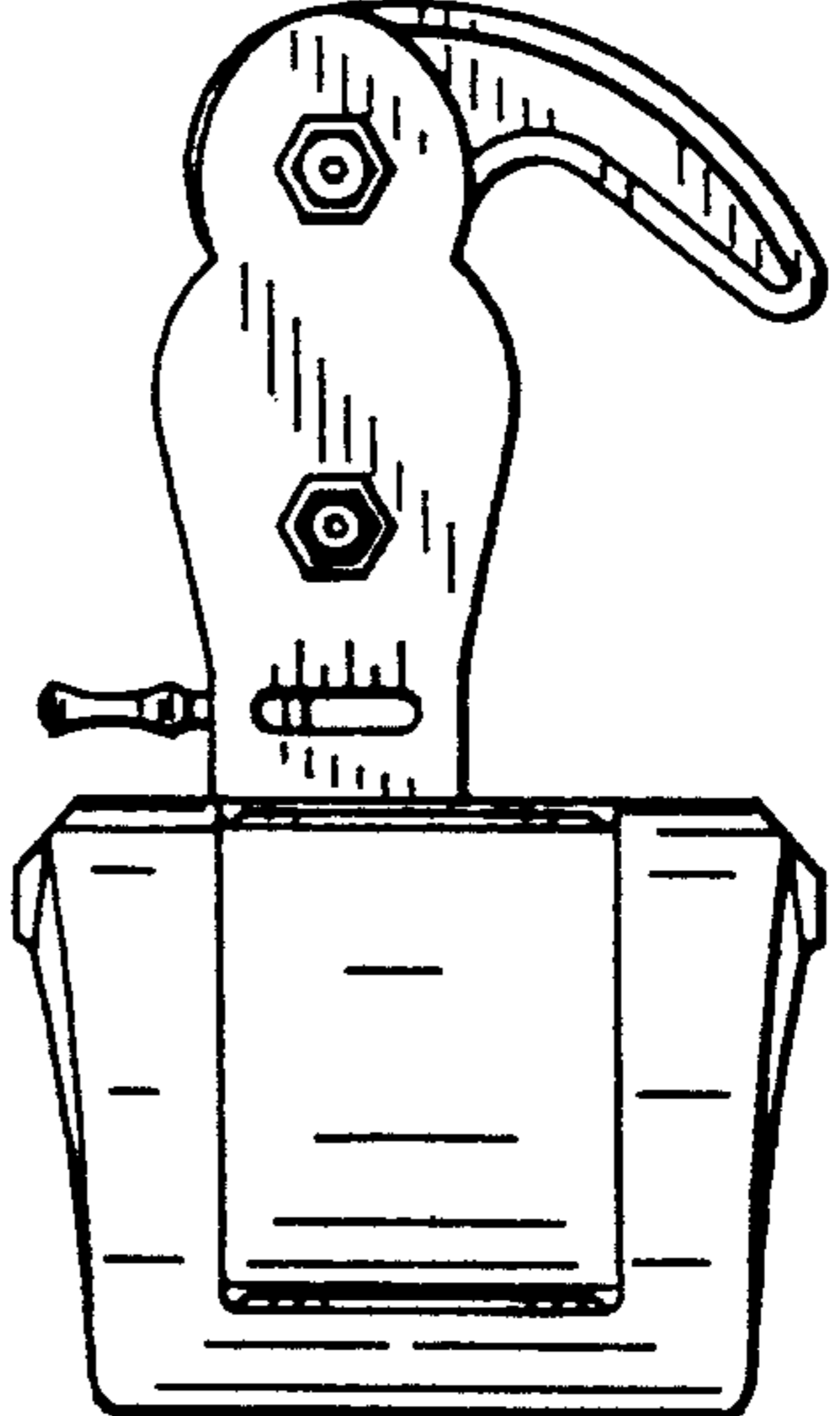
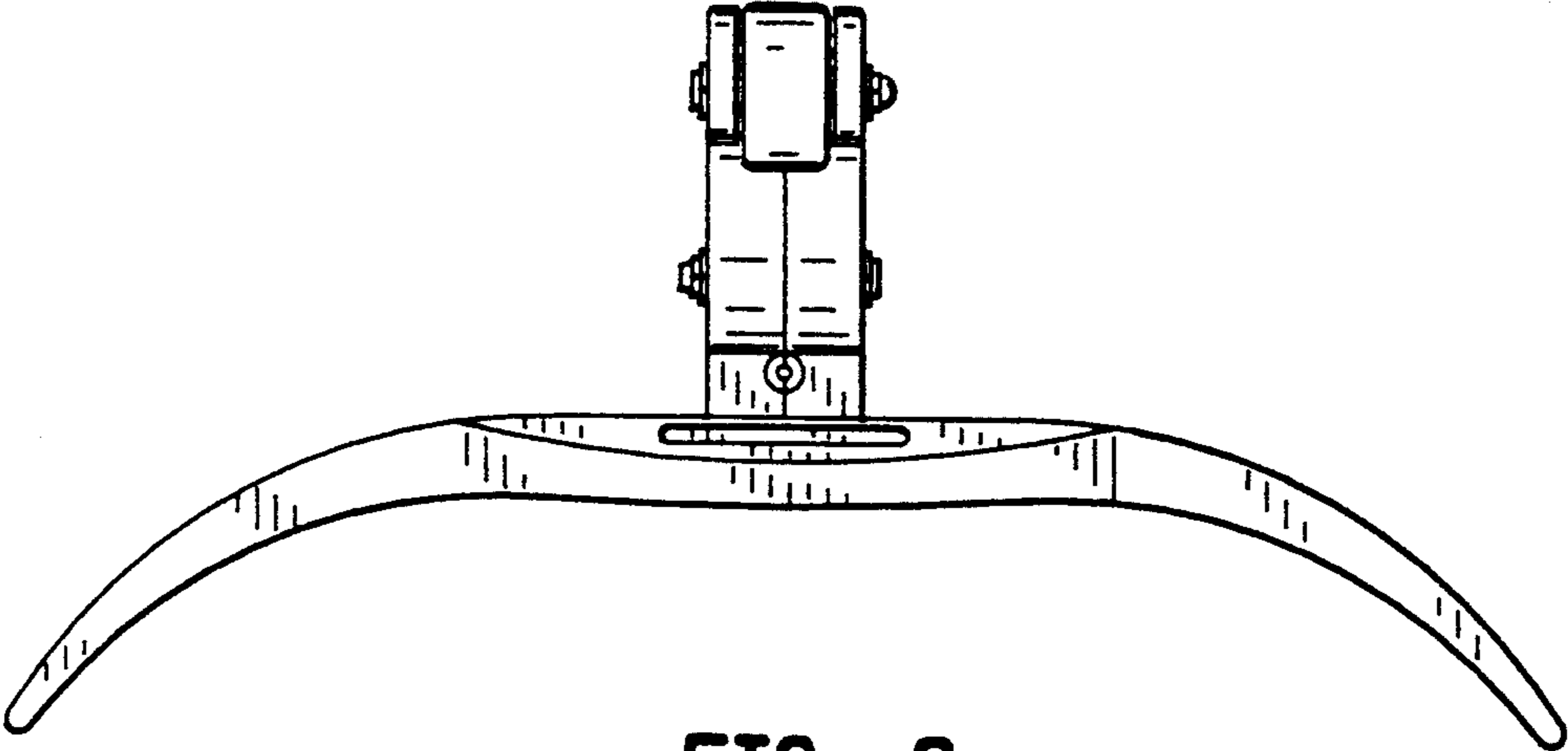
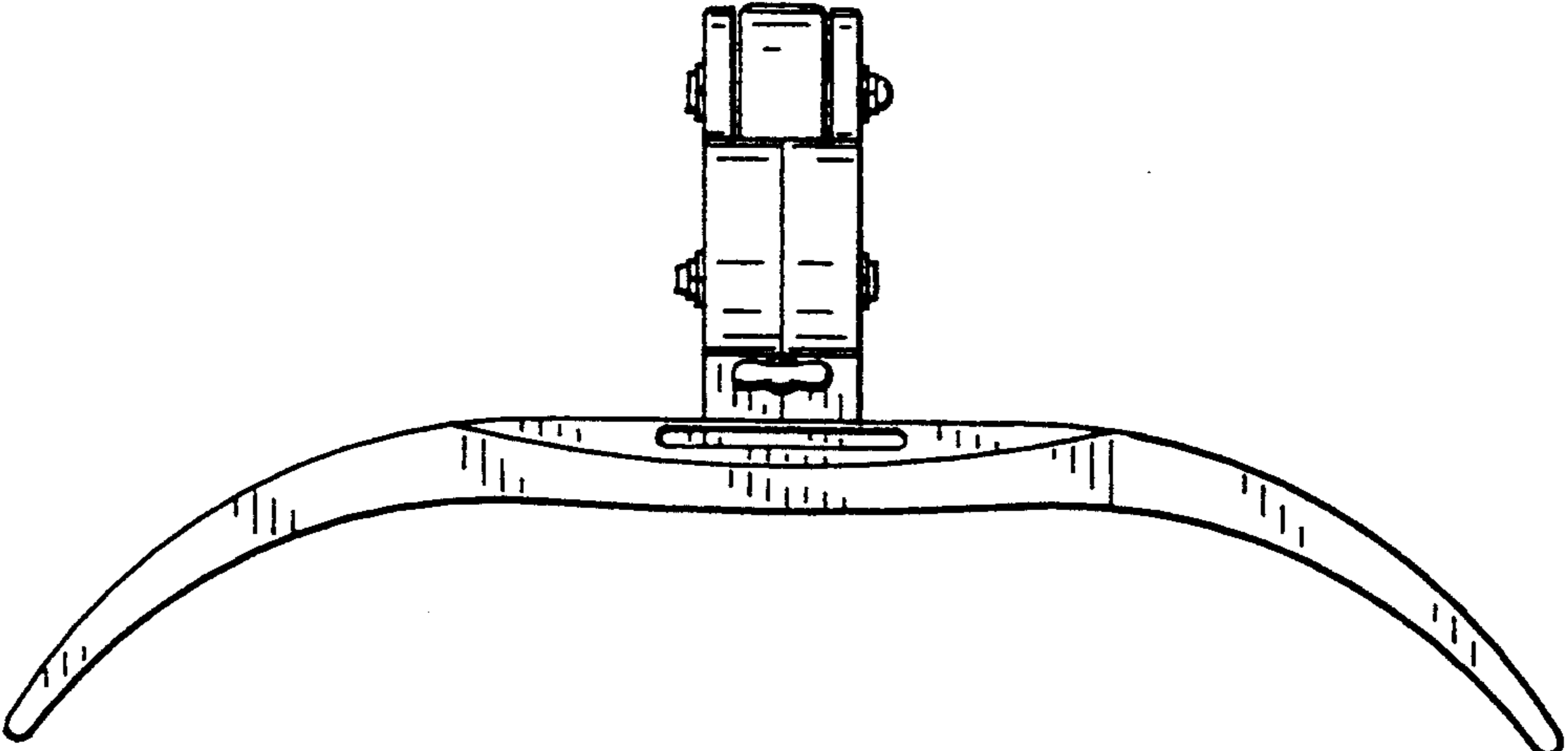


FIG. 5



**FIG. 6**



**FIG. 7**