



US00D344047S

United States Patent [19]

[11] Patent Number: **Des. 344,047**

Liu

[45] Date of Patent: **** Feb. 8, 1994**

[54] **UPPER FRAME OF BABY CART**

5,205,577 4/1993 Liu 280/642

[76] Inventor: **Kun-Hei Liu, 2F., No. 32, Lane 200,
Tung Hwa Street, Taipei, Taiwan**

*Primary Examiner—Kay H. Chin
Attorney, Agent, or Firm—Varndell Legal Group*

[**] Term: **14 Years**

[57] **CLAIM**

[21] Appl. No.: **915,961**

The ornamental design for an upper frame of baby cart,
as shown and described.

[22] Filed: **Jul. 21, 1992**

DESCRIPTION

[52] U.S. Cl. **D12/133; D12/129**

[58] Field of Search **280/642, 650, 643, 47.4,
280/647; D12/133, 129, 130**

FIG. 1 is a perspective view of an upper frame of baby
cart showing my new design;

FIG. 2 is a front elevational view thereof;

FIG. 3 is a right side elevation thereof;

FIG. 4 is a top plan view thereof;

FIG. 5 is a bottom plan view thereof;

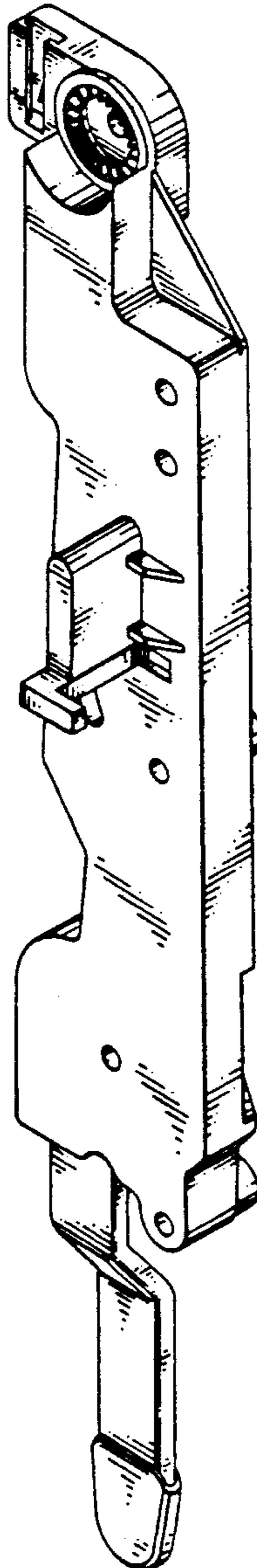
FIG. 6 is a rear elevational view thereof; and,

FIG. 7 is a left side elevation thereof.

[56] **References Cited**

U.S. PATENT DOCUMENTS

2,886,337 5/1959 Quisenberry 280/650
5,143,398 9/1992 Teng 280/642



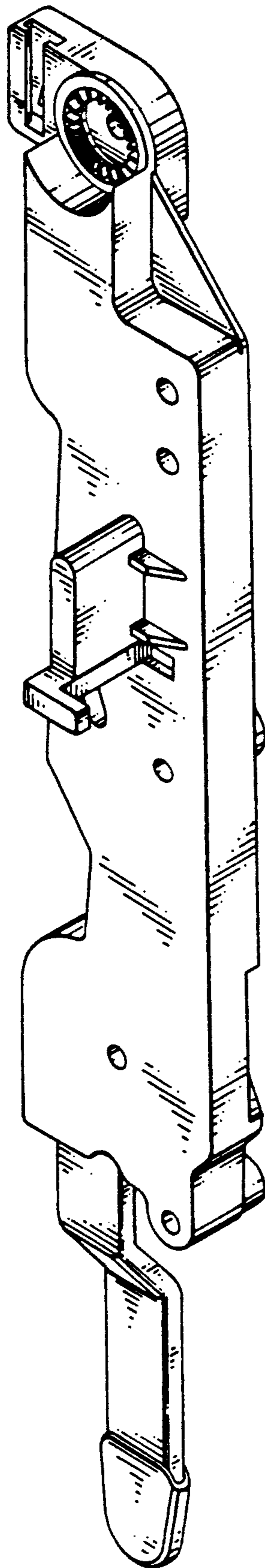


Fig . 1

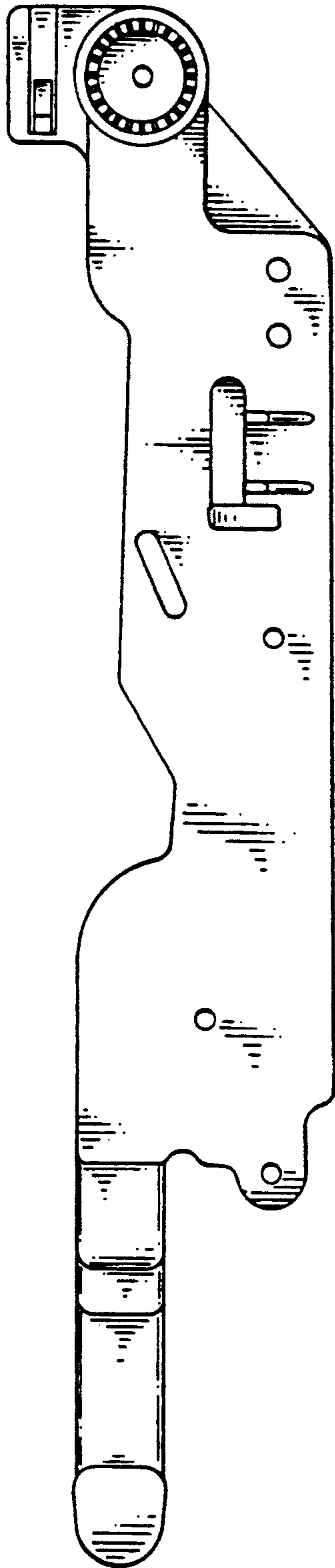


Fig. 2

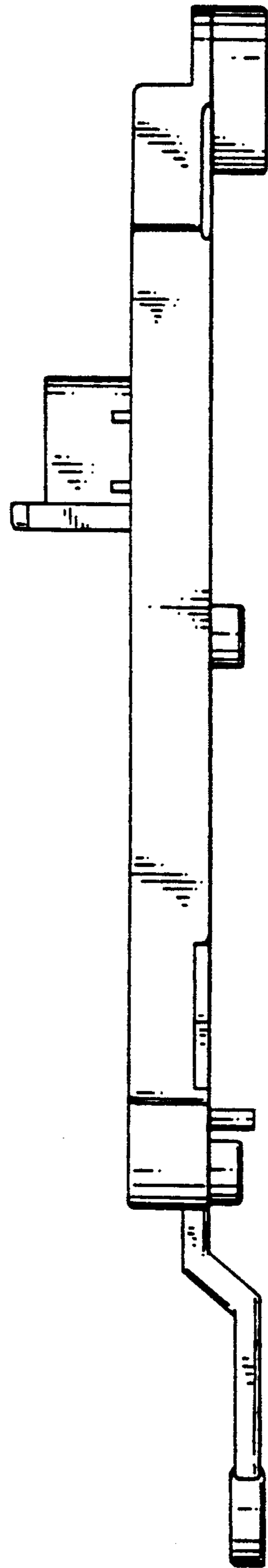


Fig. 3

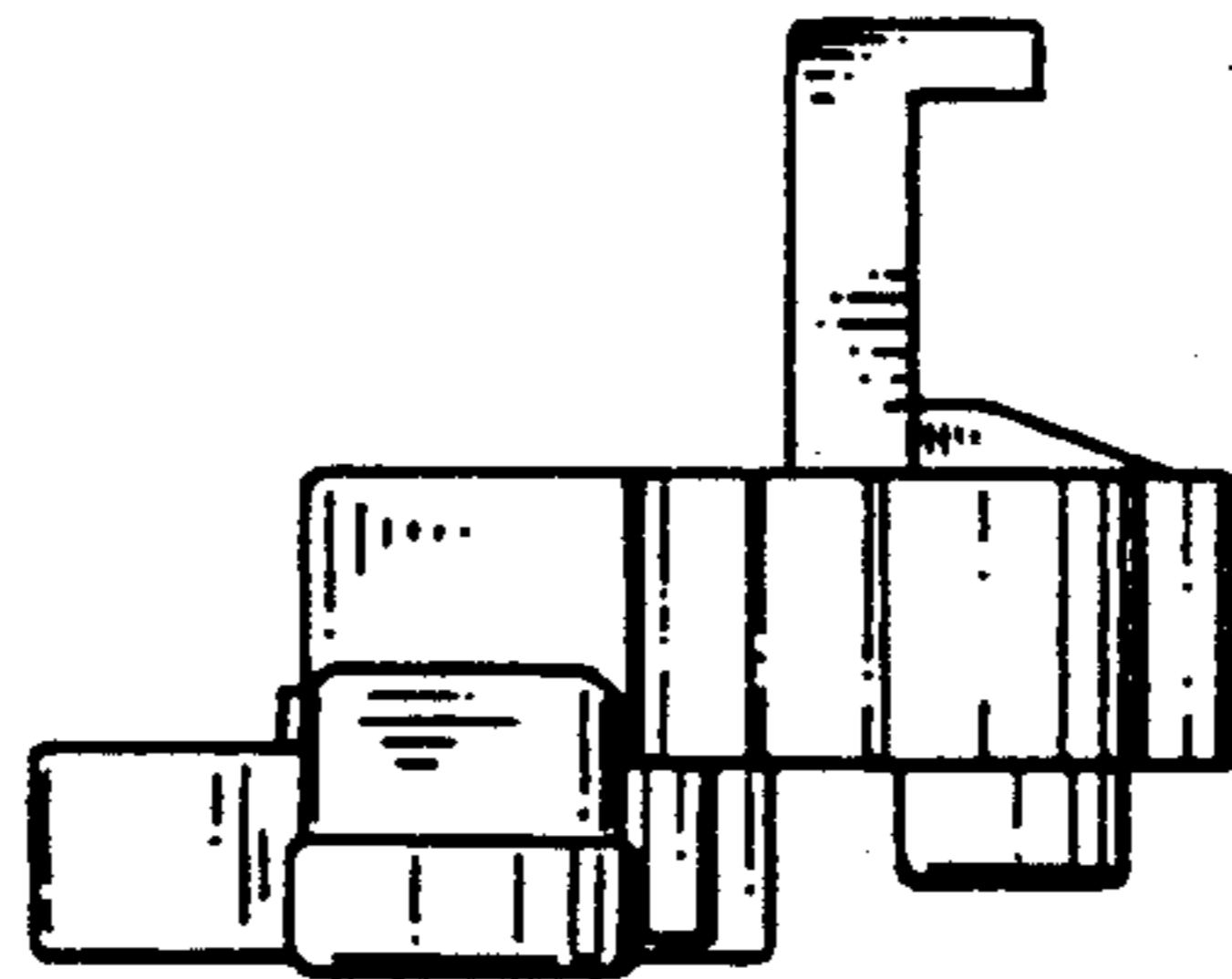


Fig . 4

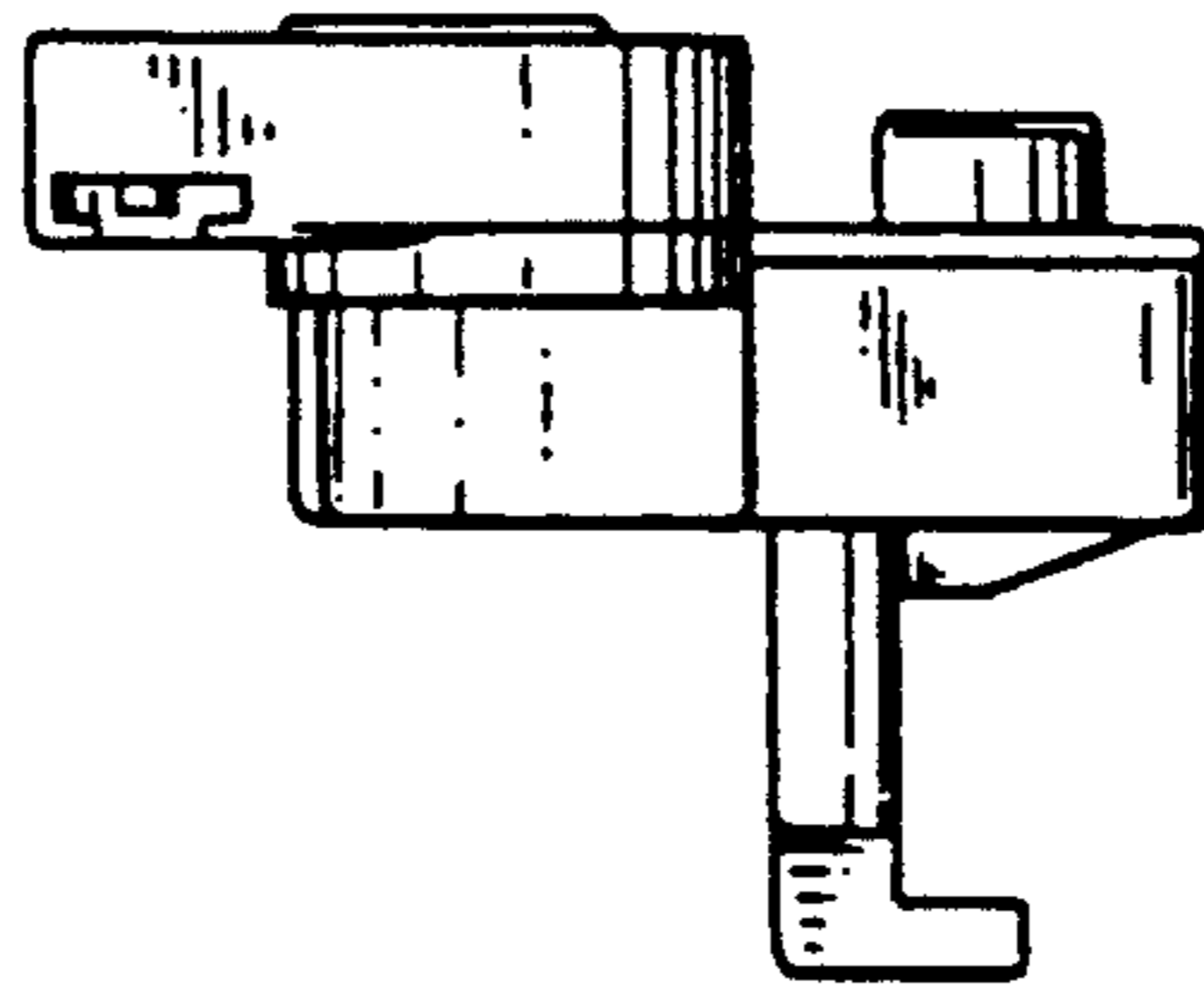


Fig . 5

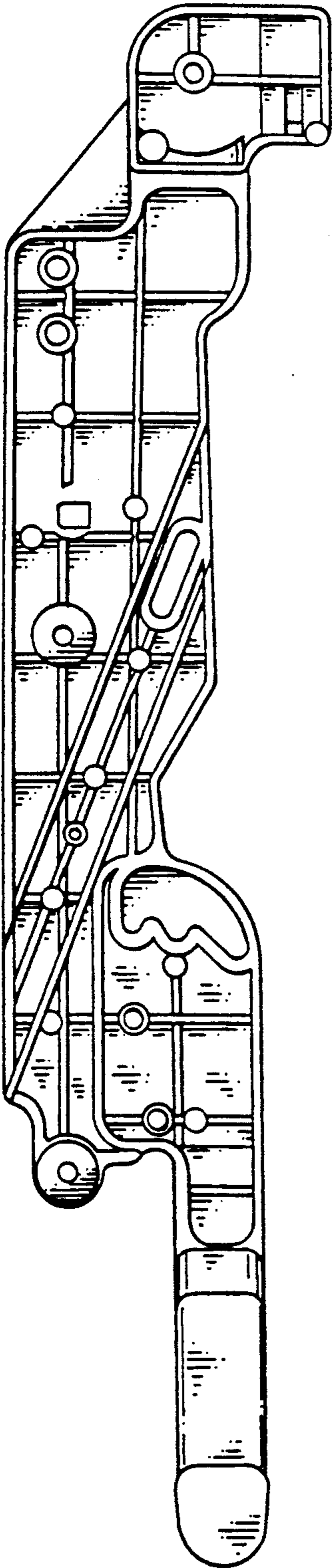


Fig . 6

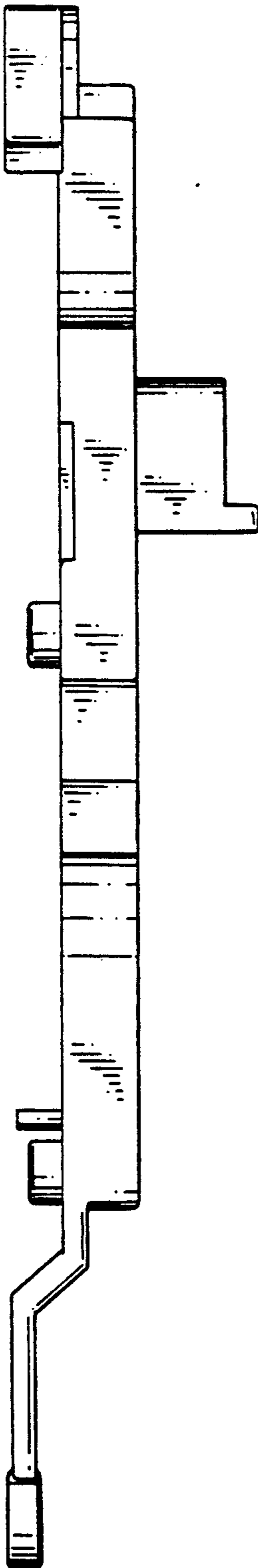


Fig . 7