



US00D344035S

United States Patent [19]

[11] Patent Number: **Des. 344,035**

Hatfield et al.

[45] Date of Patent: **** Feb. 8, 1994**

[54] COMBINED CURB FEELER AND ALARM

[76] Inventors: **Jeanne F. Hatfield; Edward Hatfield; Kathleen Bennett**, all of 1510 S. 11th St., Rogers, Ark. 72756

[**] Term: **14 Years**

[21] Appl. No.: **2,771**

[22] Filed: **Dec. 21, 1992**

[52] U.S. Cl. **D10/117**

[58] Field of Search **340/901, 903, 904, 932.2, 340/933, 437; 116/8 R, 28 A; D10/104, 106, 109, 110, 117**

[56] References Cited

U.S. PATENT DOCUMENTS

D. 309,111	7/1990	Joseffy	D10/117
3,786,507	1/1974	Hurd	340/903
4,460,889	7/1984	Elks	340/437
4,967,180	10/1990	Wang	340/437

FOREIGN PATENT DOCUMENTS

494424 10/1938 United Kingdom 340/437

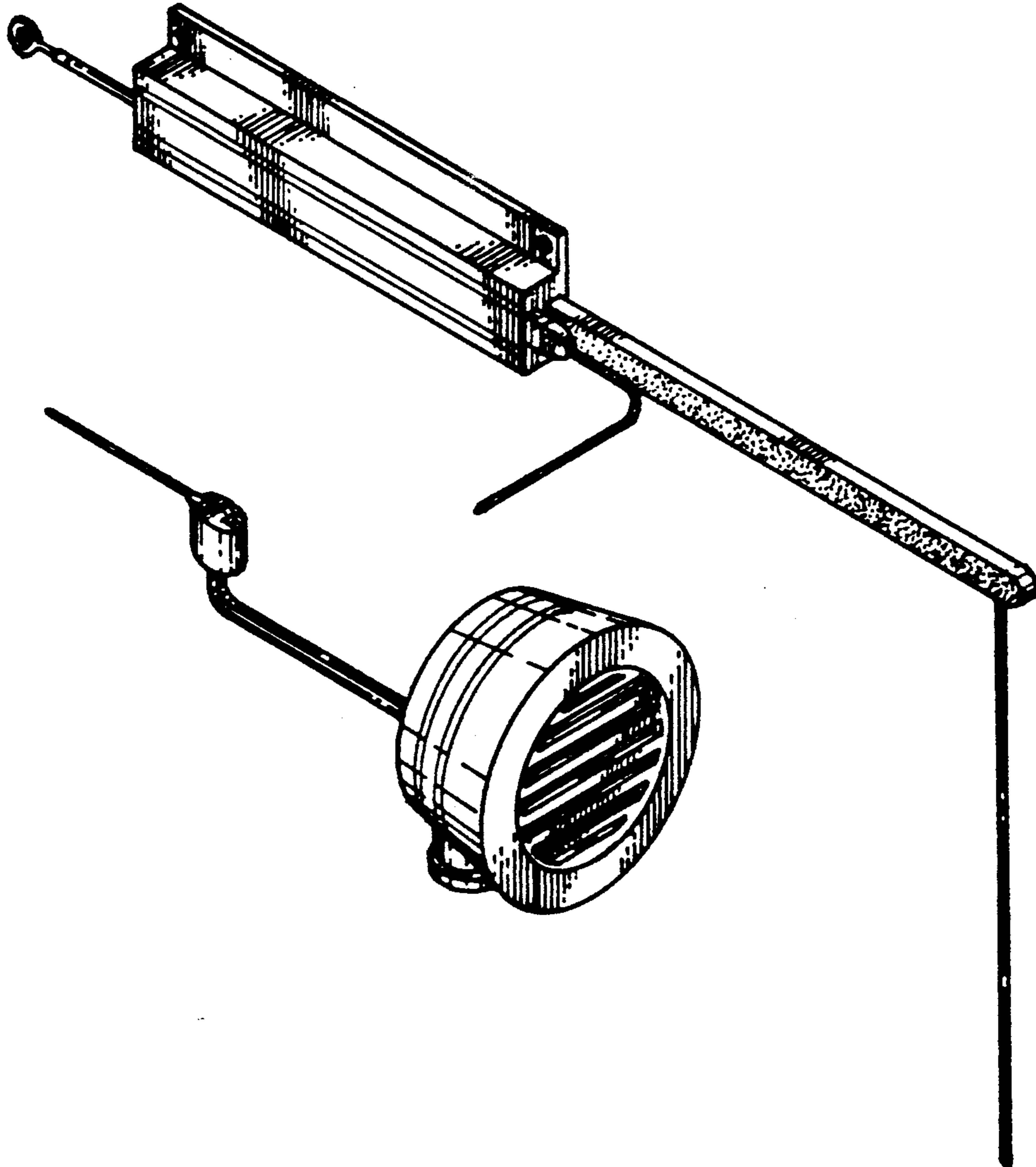
Primary Examiner—Wallace R. Burke
Assistant Examiner—Marcus Jackson
Attorney, Agent, or Firm—Terry M. Gernstein

[57] CLAIM

The ornamental design for a combined curb feeler and alarm, as shown and described.

DESCRIPTION

FIG. 1 is an exploded view of a combined curb feeler and alarm showing our new design; FIG. 2 is a front elevational view thereof; FIG. 3 is a rear elevational view thereof; FIG. 4 is an end elevational view thereof; FIG. 5 is an end elevational view thereof; FIG. 6 is a top plan view thereof; and, FIG. 7 is a bottom plan view thereof.



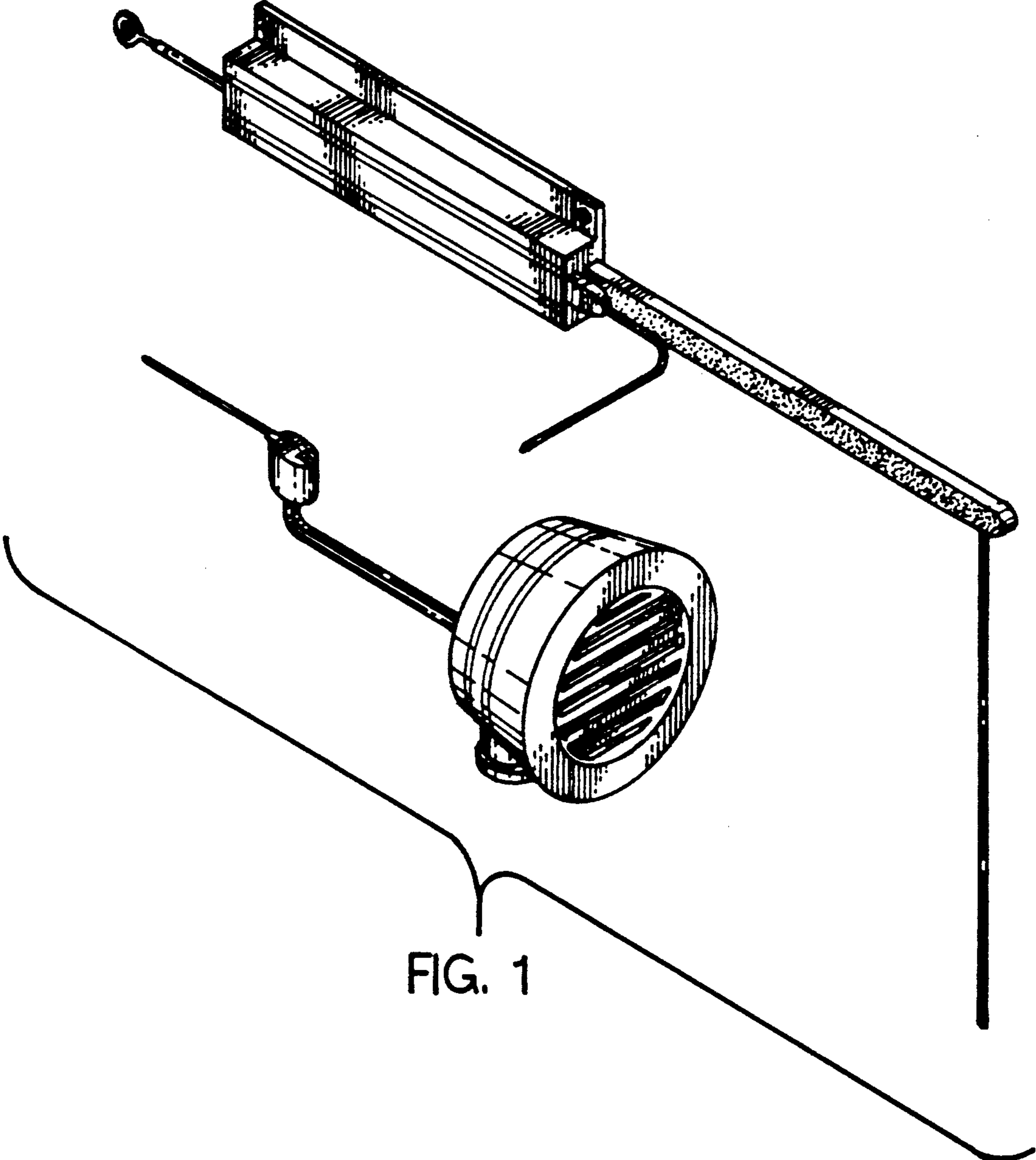


FIG. 1

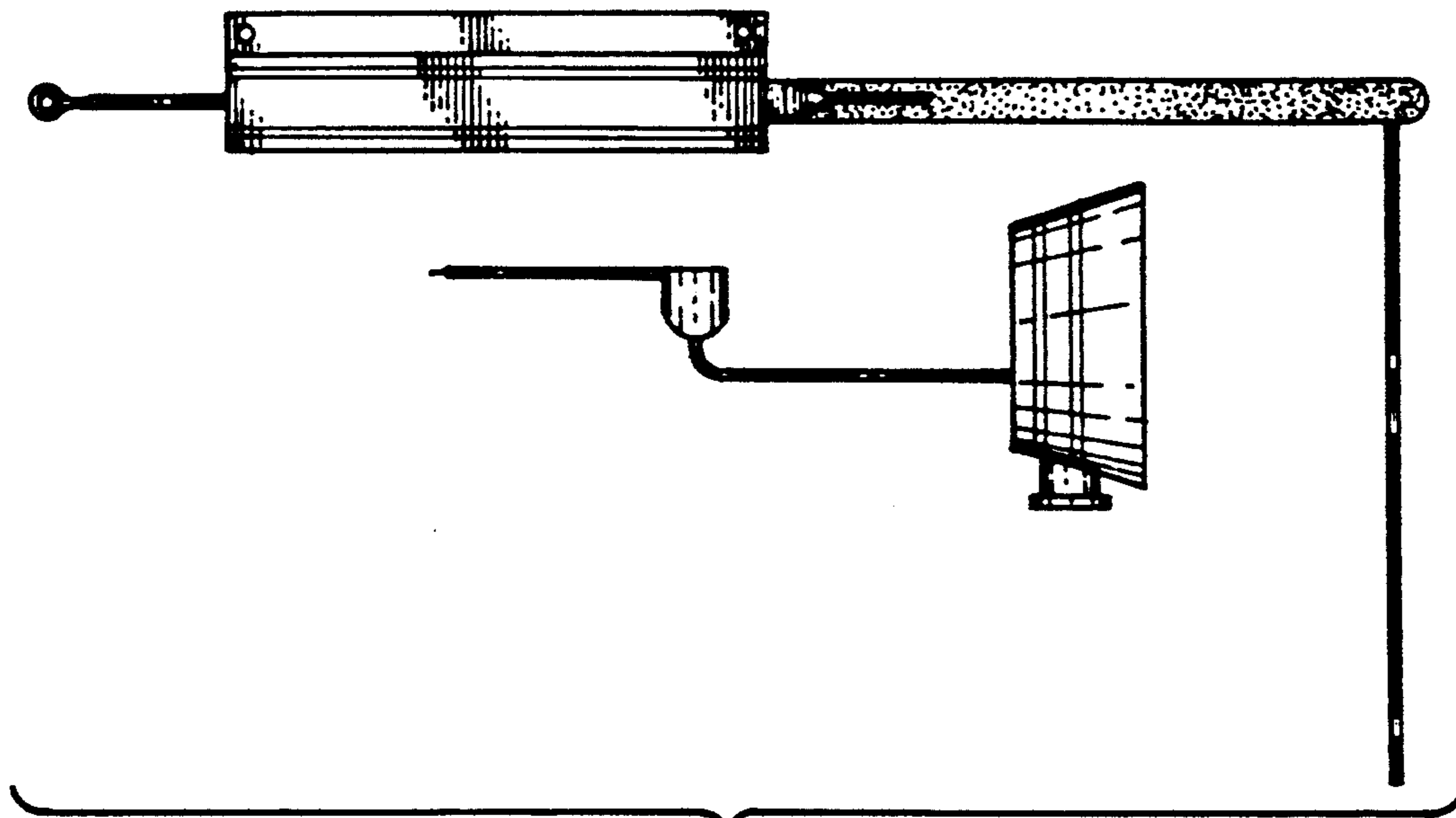


FIG. 2

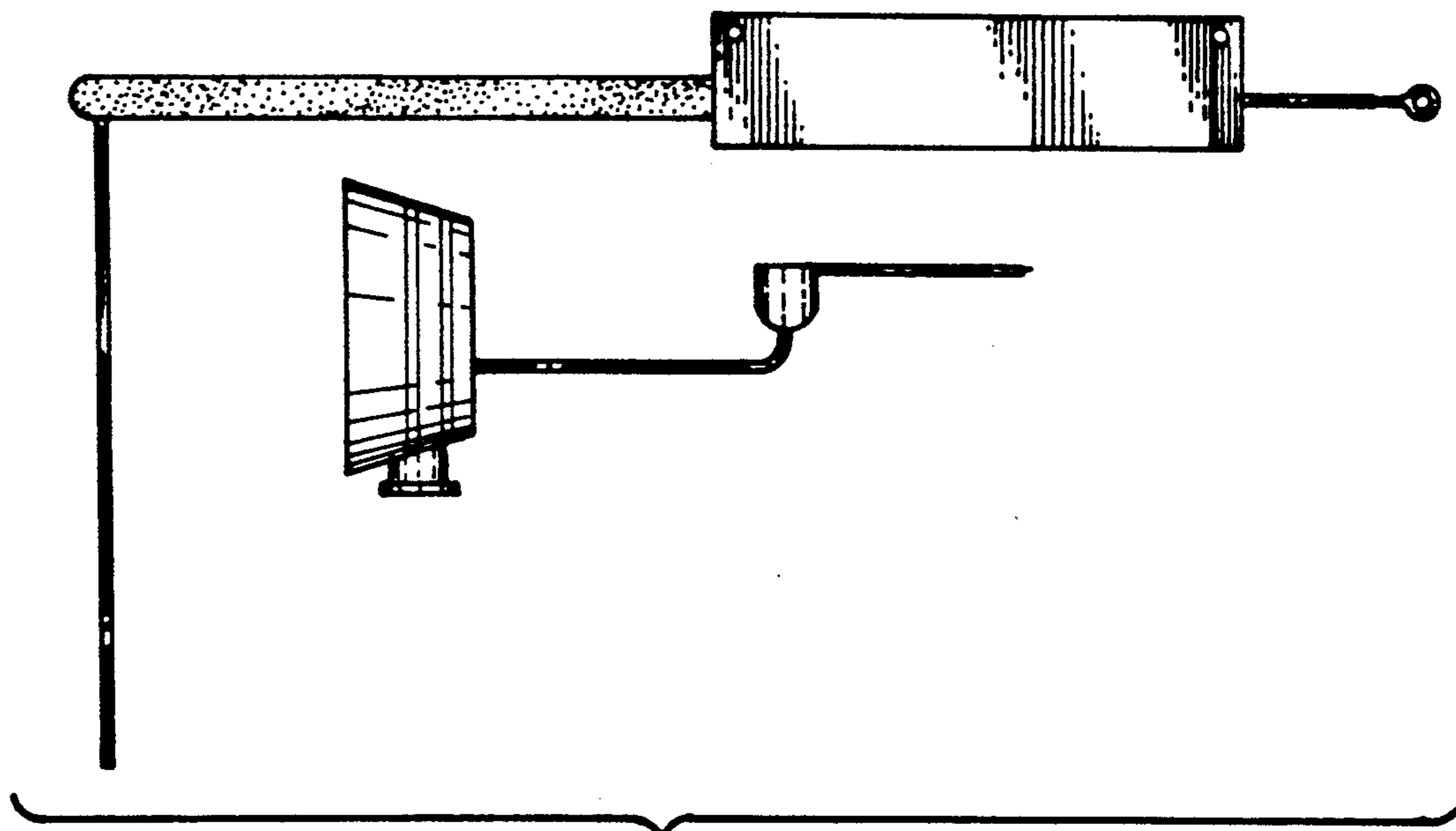


FIG. 3

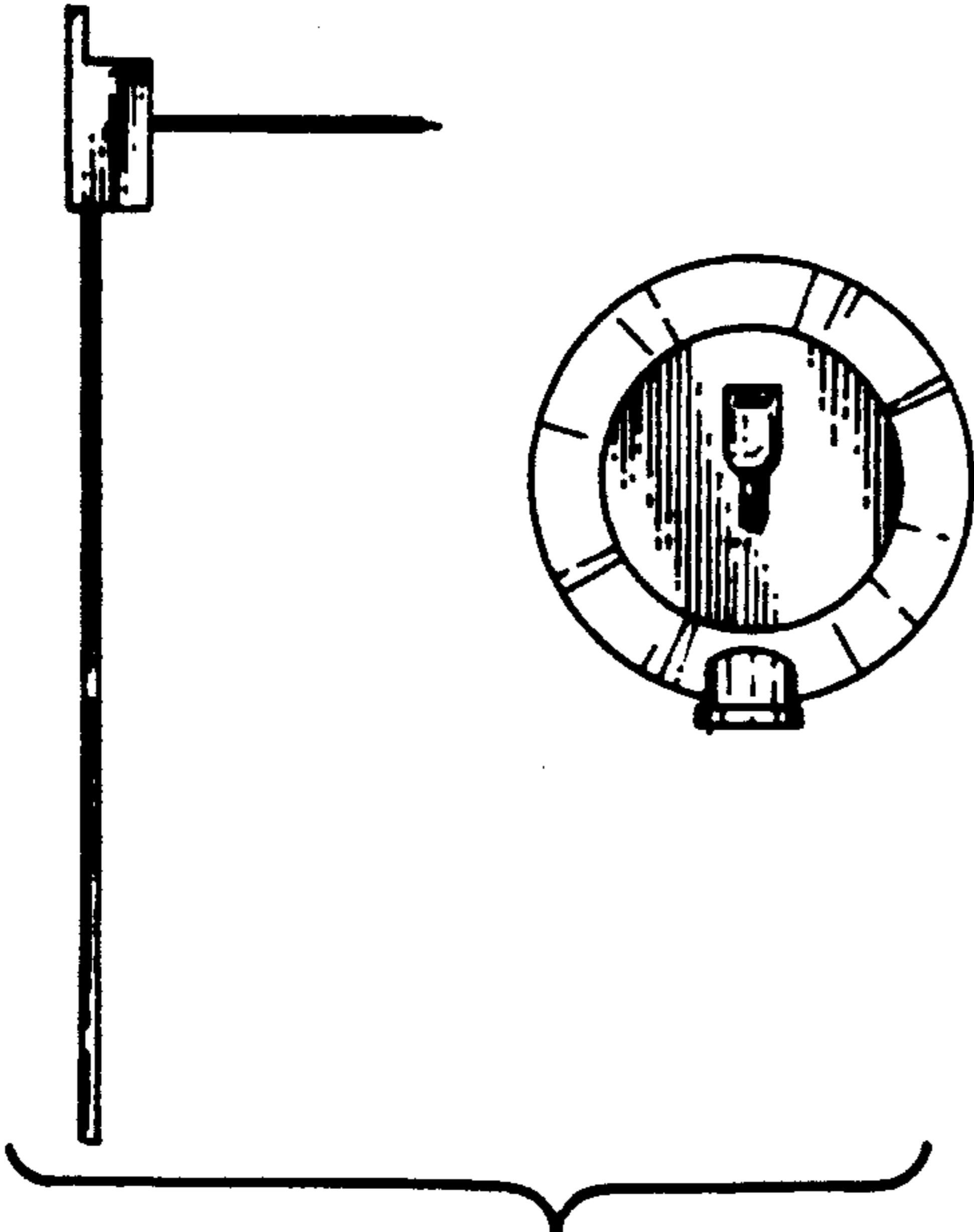


FIG. 4

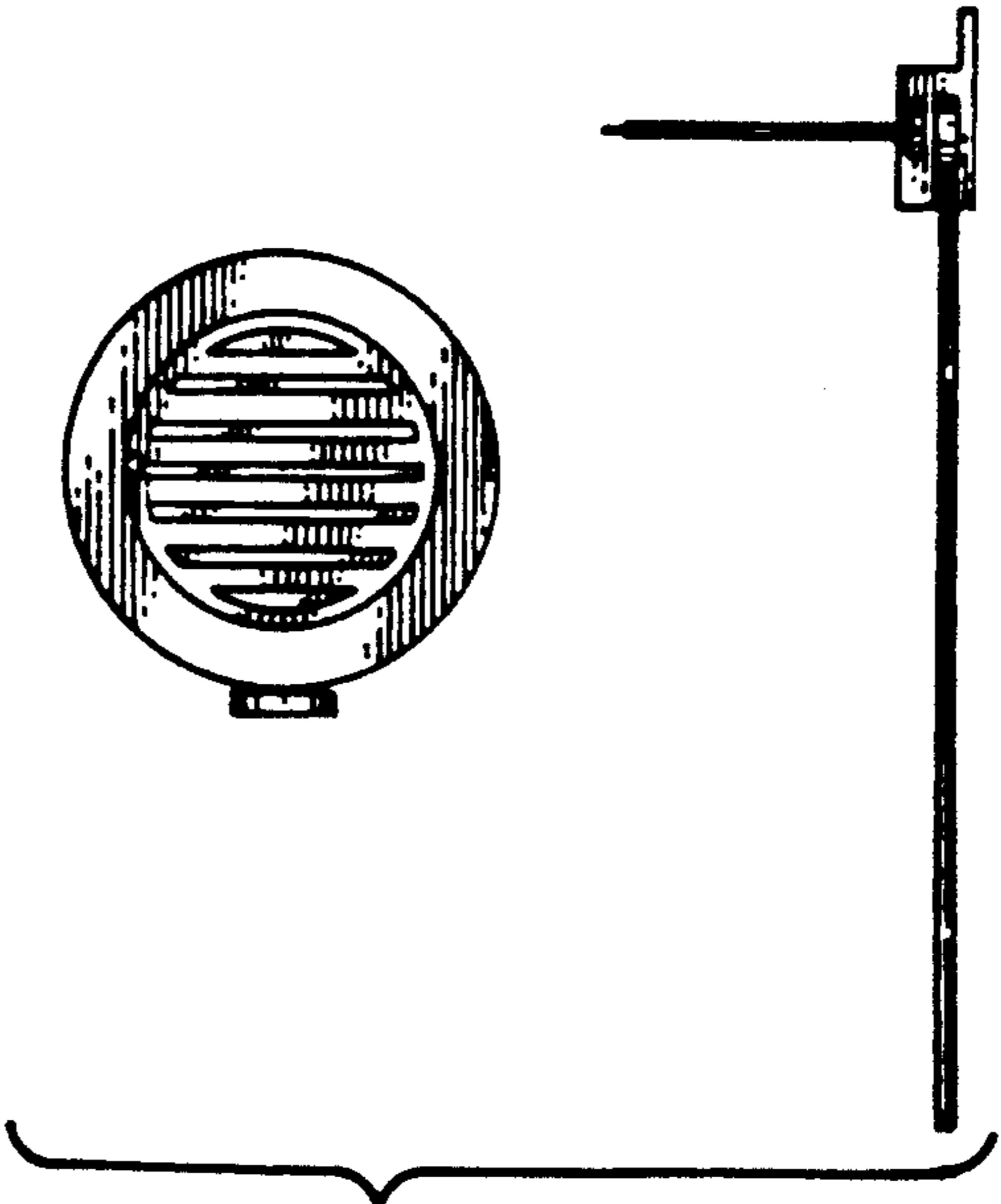


FIG. 5

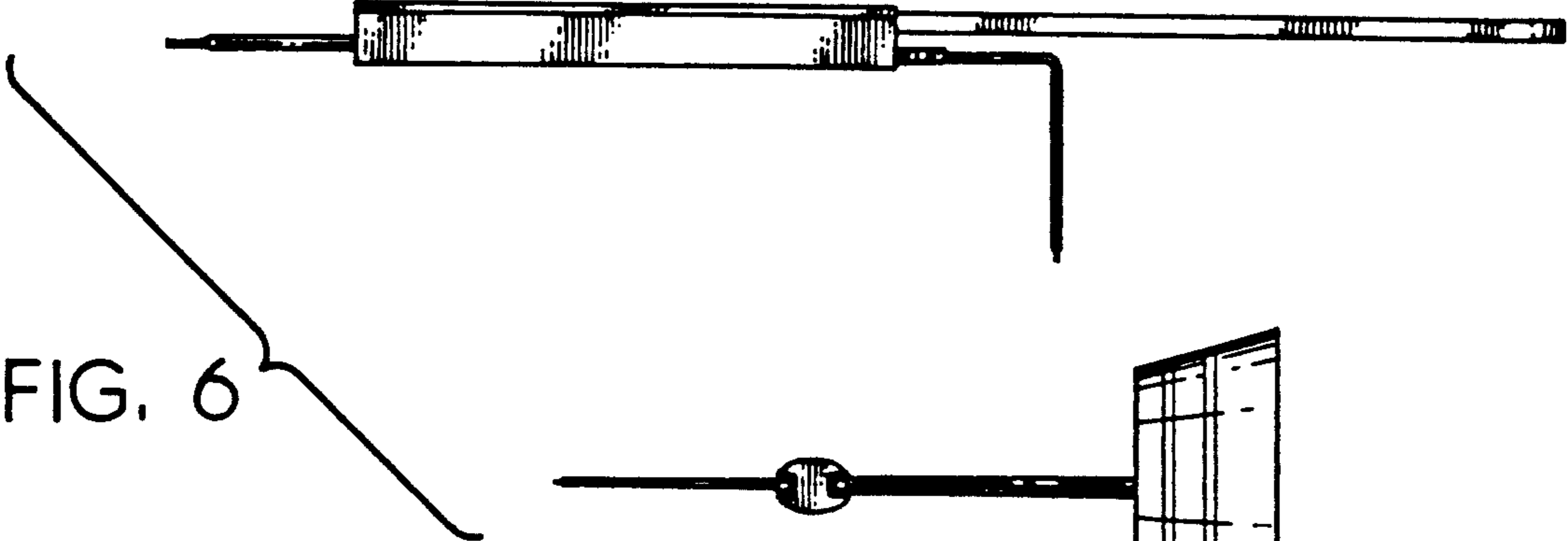


FIG. 6

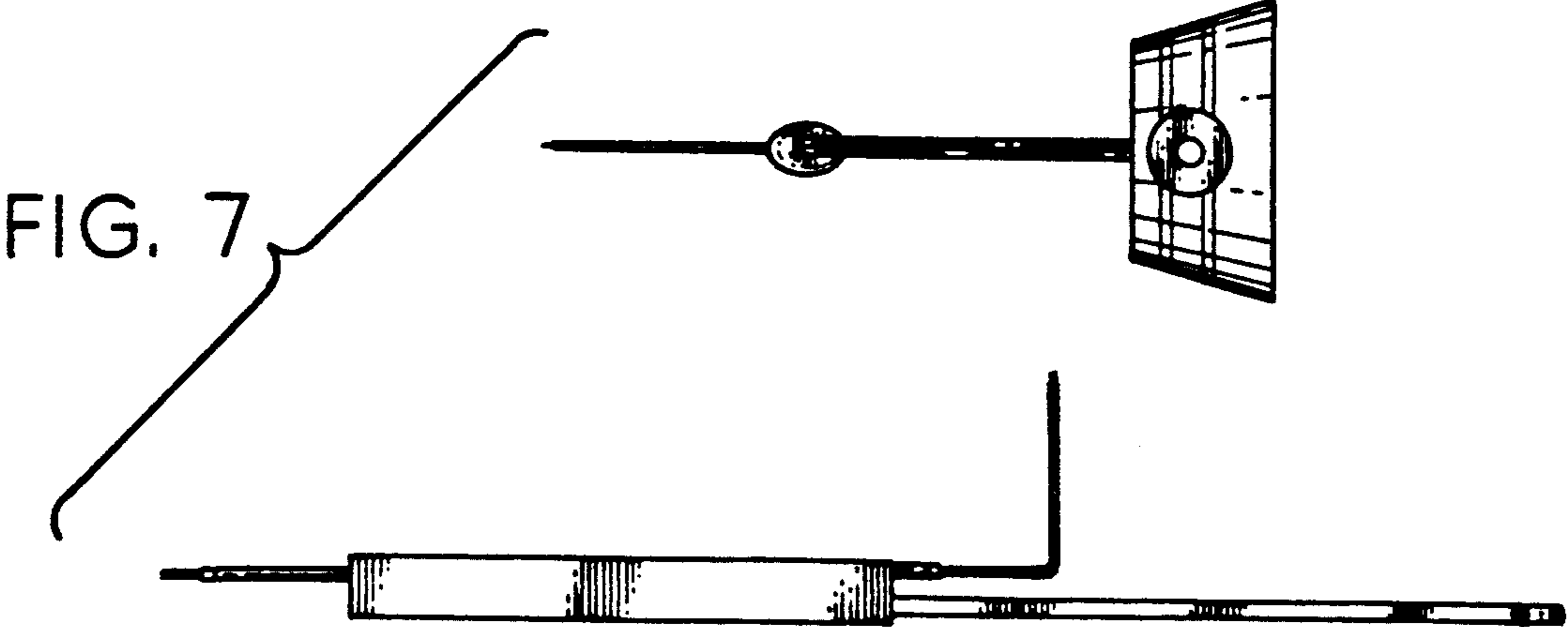


FIG. 7