



US00D344021S

United States Patent [19]

Martin et al.

[11] Patent Number: **Des. 344,021**

[45] Date of Patent: **** Feb. 8, 1994**

[54] **FOOD PACKAGE**

[75] Inventors: **Monica L. V. Martin; Elizabeth Y. Lott**, both of West Point, Miss.

[73] Assignee: **Sara Lee Corporation**, Winston-Salem, N.C.

[**] Term: **14 Years**

[21] Appl. No.: **740,461**

[22] Filed: **Aug. 1, 1991**

[52] U.S. Cl. **D9/418; D9/415**

[58] Field of Search **D9/418, 346, 337, 433, D9/415; D7/602, 626; 206/541, 549, 550, 806; 229/117.15, 117.09, 117.14, 162, 902, 904, 910, DIG. 14**

[56] **References Cited**

U.S. PATENT DOCUMENTS

D. 259,175	5/1981	Austin, Jr.	D7/626 X
D. 268,390	3/1983	Shaughnessy	D7/626
D. 305,204	12/1989	Reifein et al.	D9/418
2,134,627	10/1938	Turner	229/120.17 X
2,785,846	3/1957	Weiner	229/117.15
3,279,648	10/1966	Worthington	D9/346 X
4,279,342	7/1981	Van Pelt	206/542

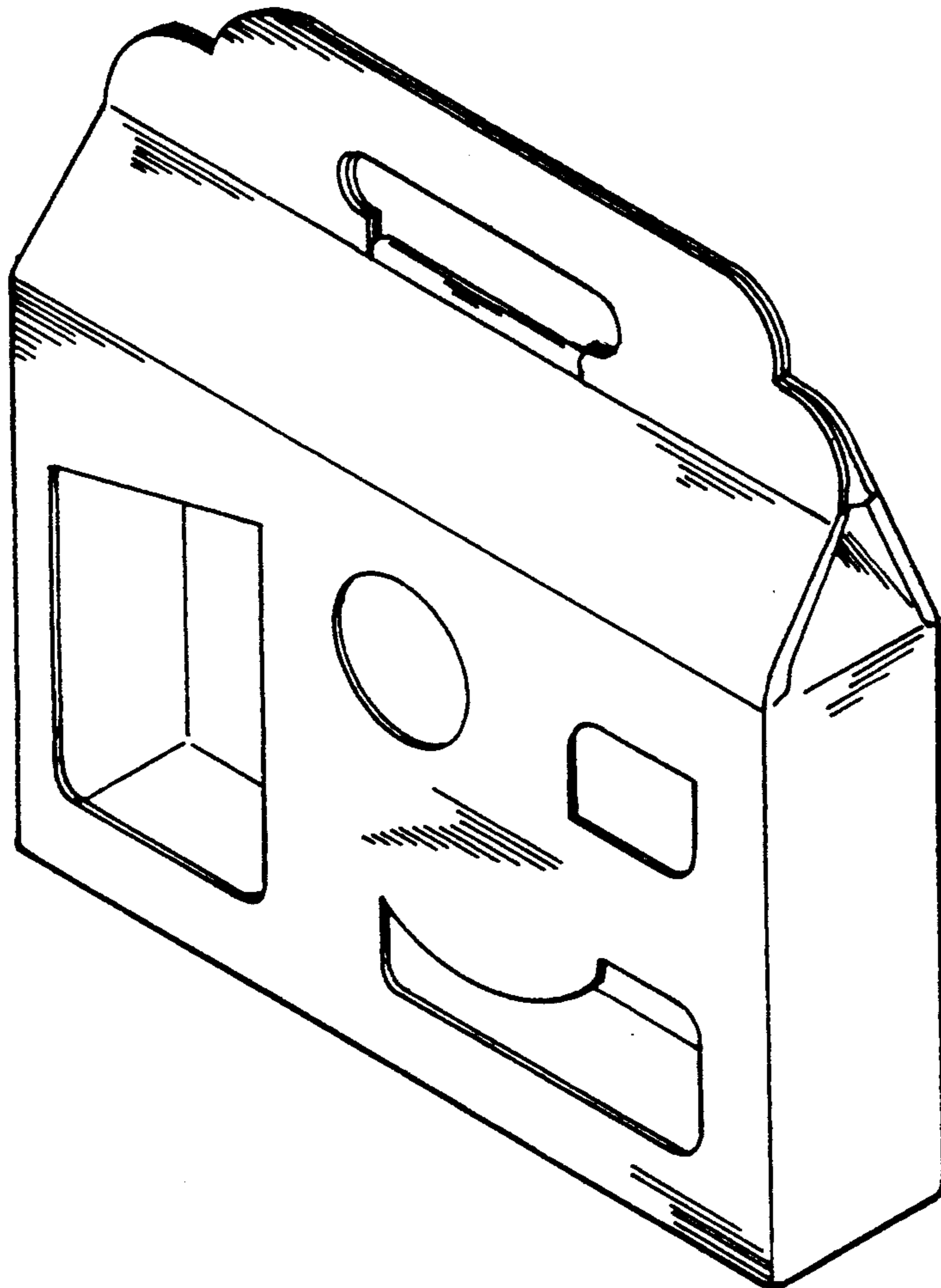
Primary Examiner—Prabhakar G. Deshmukh

[57] **CLAIM**

The ornamental design for a food package, as shown and described.

DESCRIPTION

FIG. 1 is a perspective view of a food package showing our new design;
FIG. 2 is a right side elevational view thereof, the left side elevational view being a mirror image thereof;
FIG. 3 is a rear elevational view thereof;
FIG. 4 is a top plan view thereof; and,
FIG. 5 is a bottom plan view thereof.



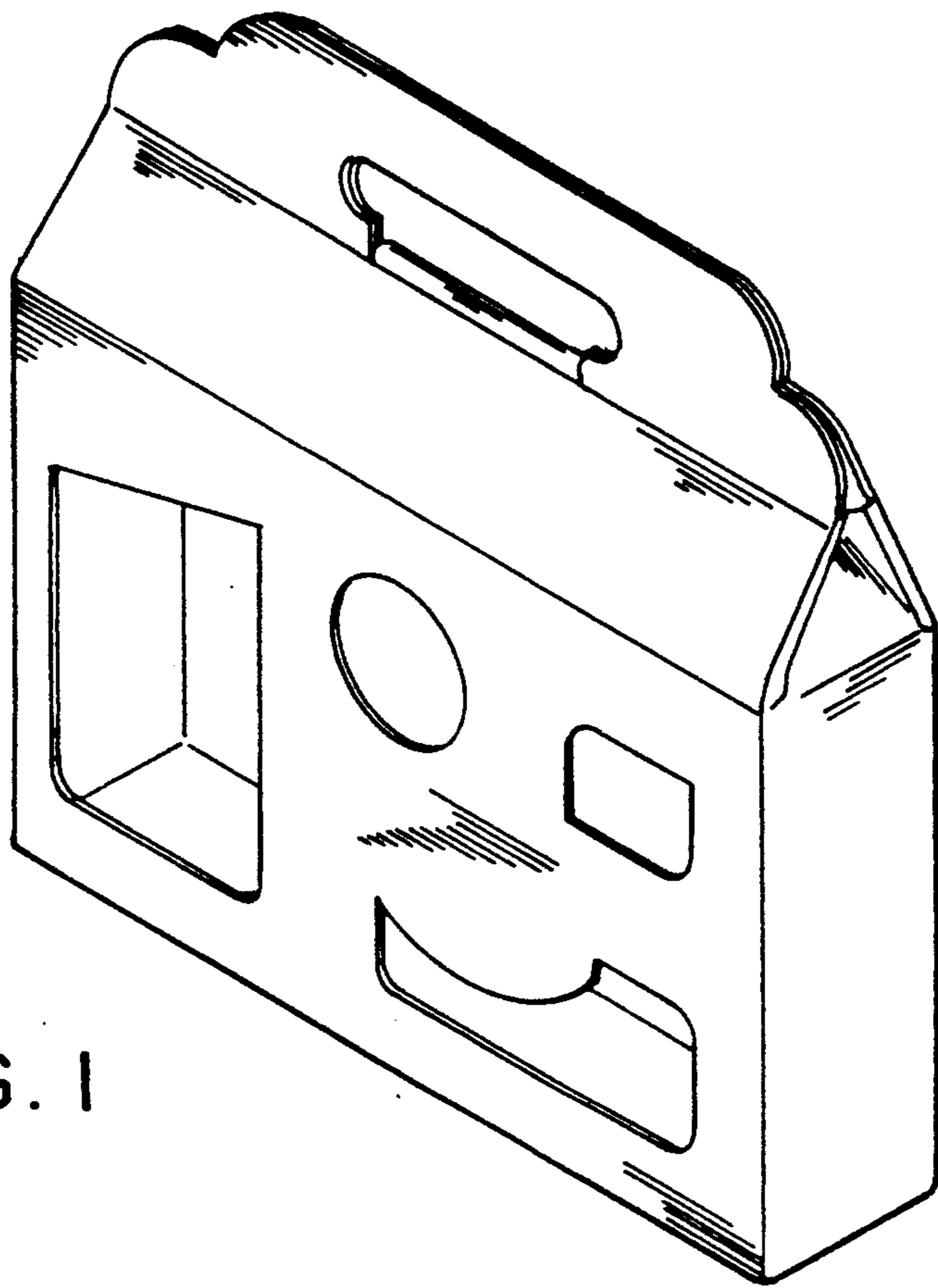


FIG. 1

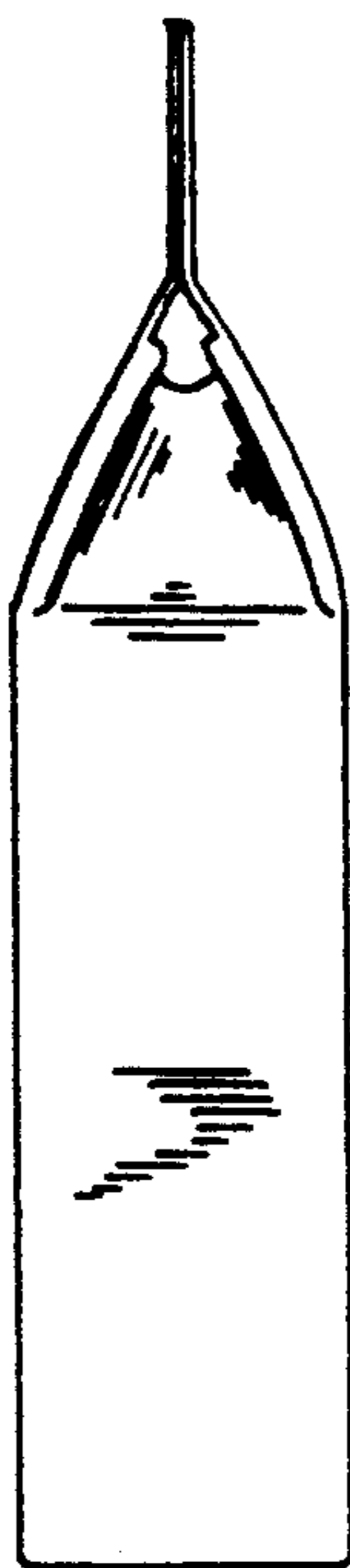


FIG. 2

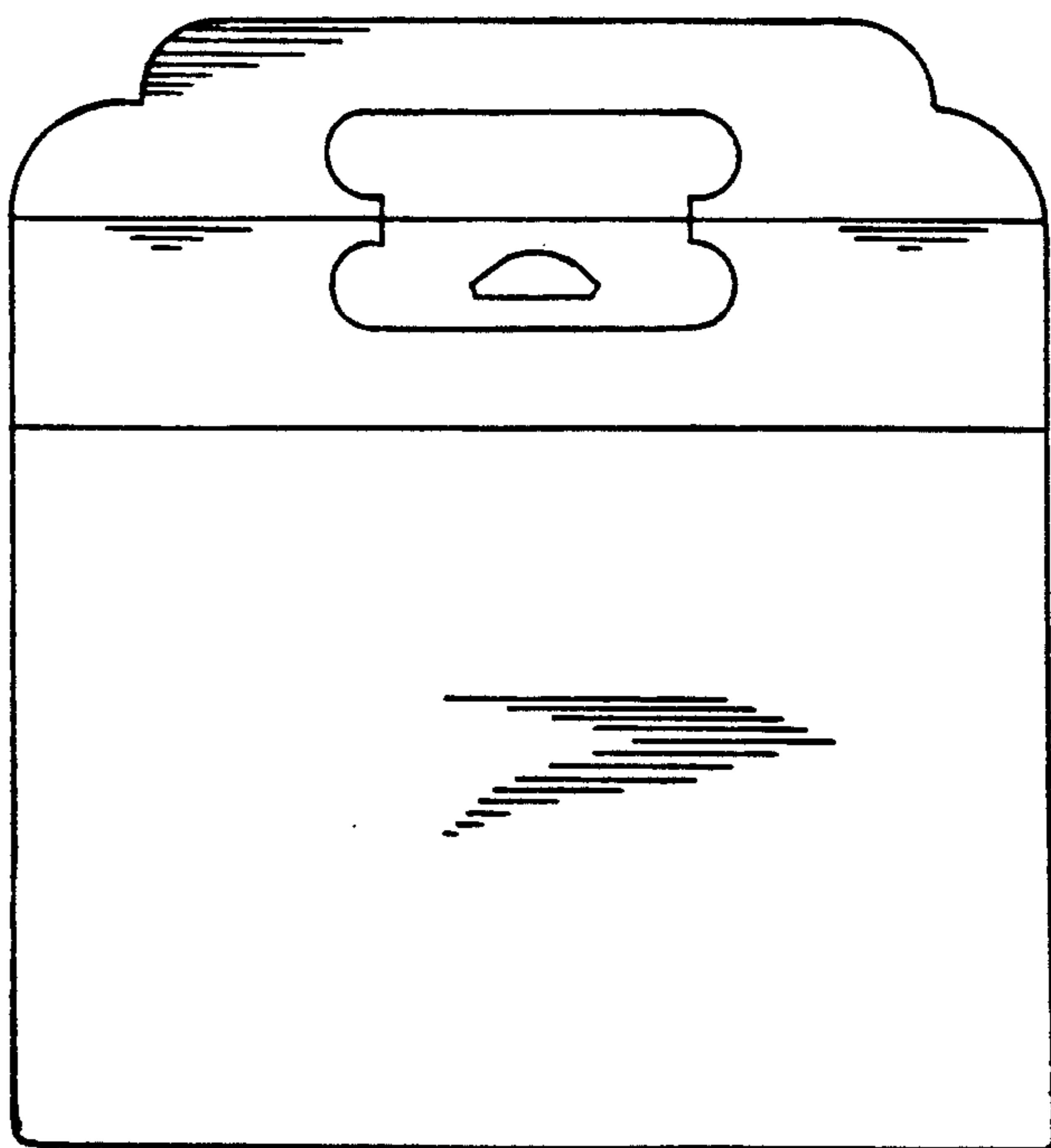


FIG. 3

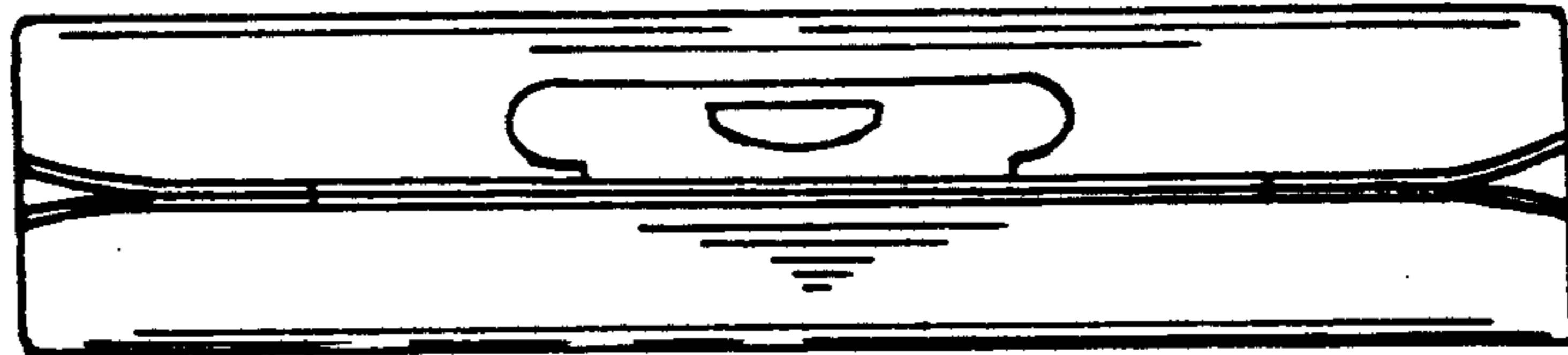


FIG. 4

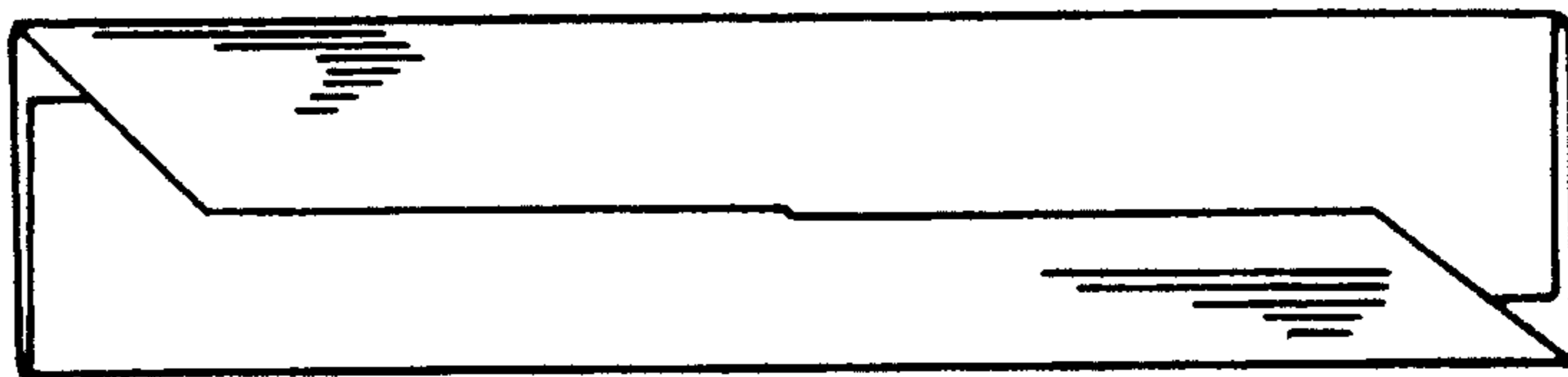


FIG. 5