



US00D344014S

United States Patent [19]

[11] Patent Number: **Des. 344,014**

Marshall

[45] Date of Patent: **** Feb. 8, 1994**

[54] **DOOR STOPPER**

4,958,869 9/1990 Bisher 292/343

[76] Inventor: **Bernard E. Marshall**, 5621 Delmar
The Clara #705, St. Louis, Mo.
63112

Primary Examiner—B. J. Bullock
Attorney, Agent, or Firm—S. Michael Bender

[**] Term: **14 Years**

[57] **CLAIM**

[21] Appl. No.: **841,002**

The ornamental design for a door stopper, as shown and described.

[22] Filed: **Feb. 25, 1992**

DESCRIPTION

[52] U.S. Cl. **D8/402**

[58] Field of Search **D8/402; 16/82; 292/288,**
292/343, DIG. 15

FIG. 1 is a front elevational view of the door stopper showing my new design, the broken line showing of a portion of a door and floor being for illustrative purposes only;

[56] **References Cited**

U.S. PATENT DOCUMENTS

| | | | |
|-----------|--------|---------|---------|
| 693,740 | 2/1902 | Raether | 292/343 |
| 1,181,056 | 4/1916 | Arnt | 292/343 |
| 1,545,532 | 7/1925 | Stubbs | 292/343 |

FIG. 2 is a rear elevational view thereof;
FIG. 3 is a left side elevational view thereof;
FIG. 4 is a right side elevational view thereof;
FIG. 5 is a top plan view thereof; and,
FIG. 6 is a bottom plan view thereof.

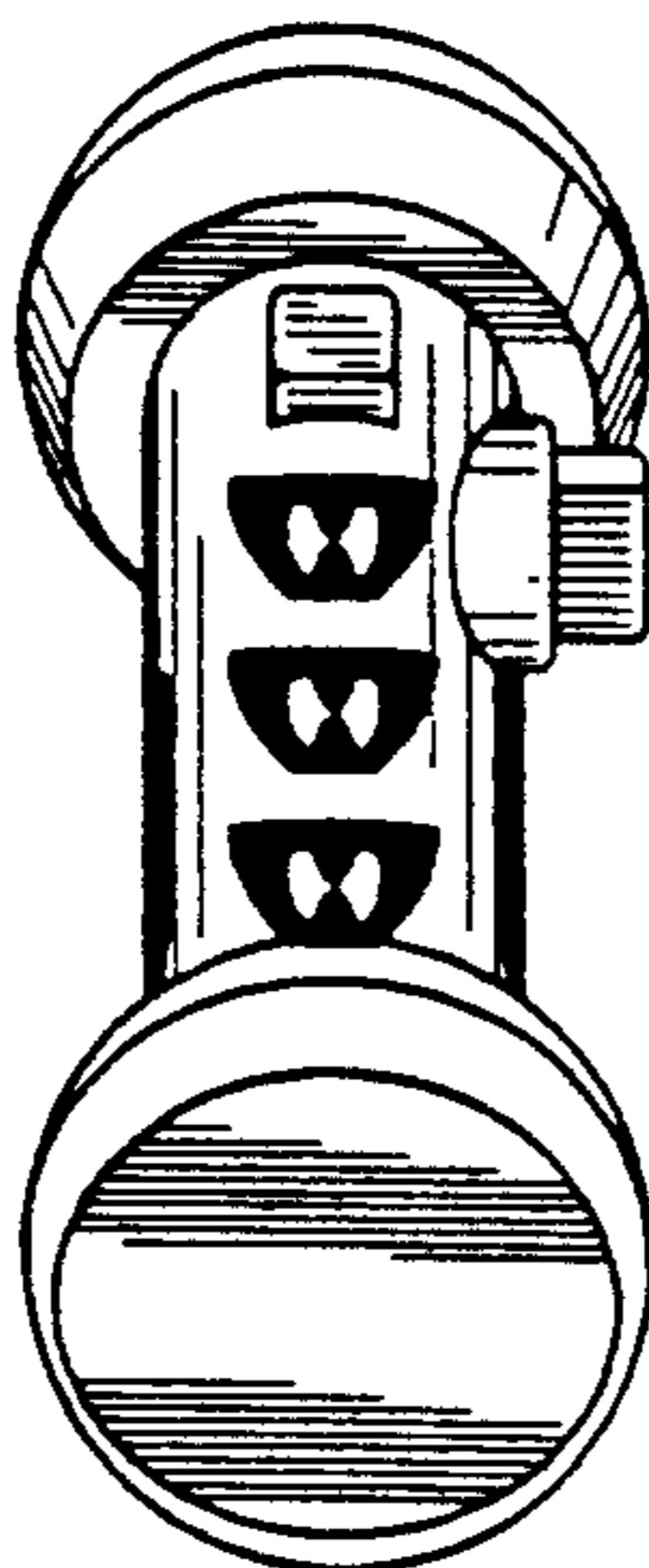
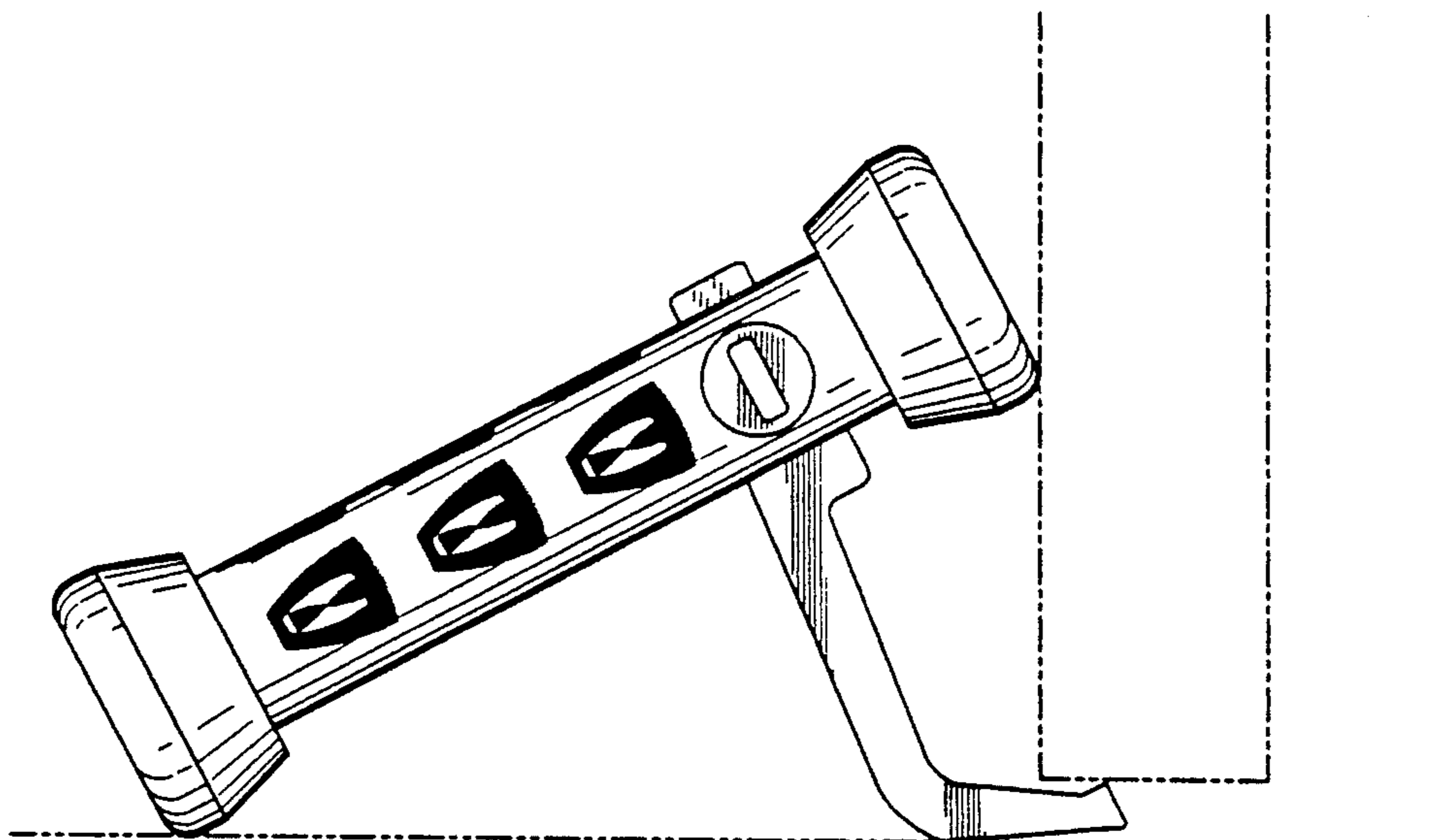


FIG. 1

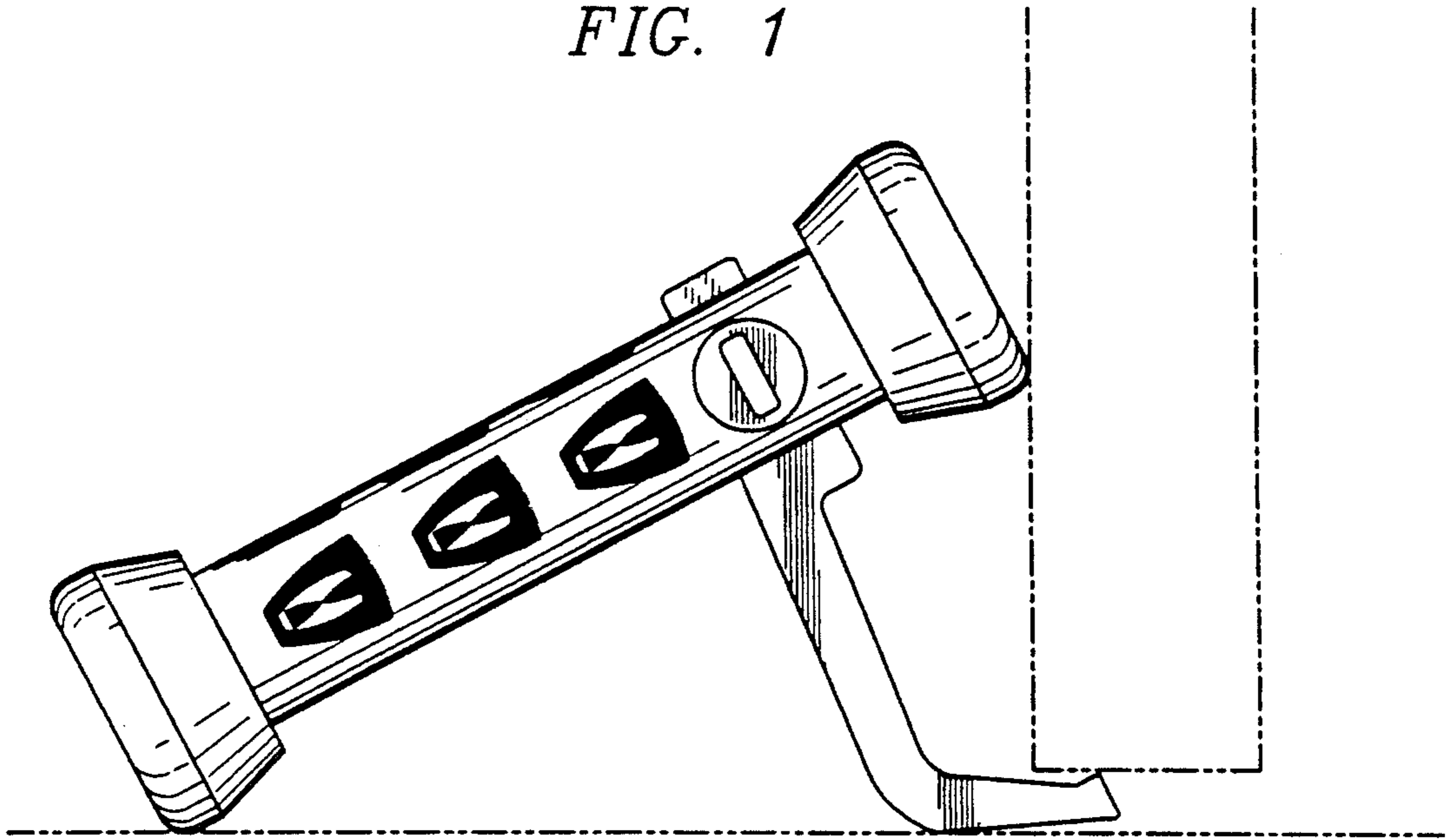


FIG. 2

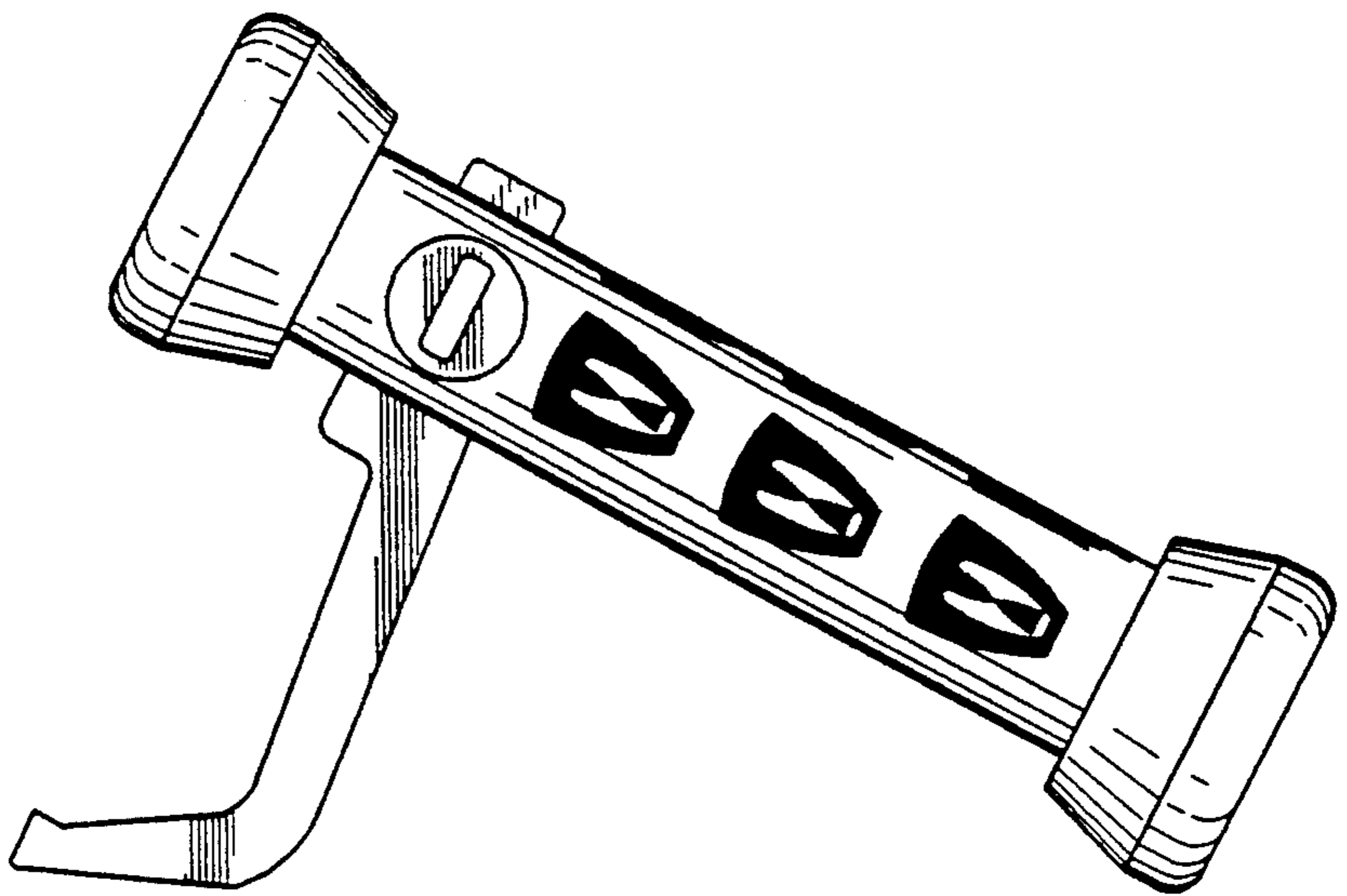


FIG. 3

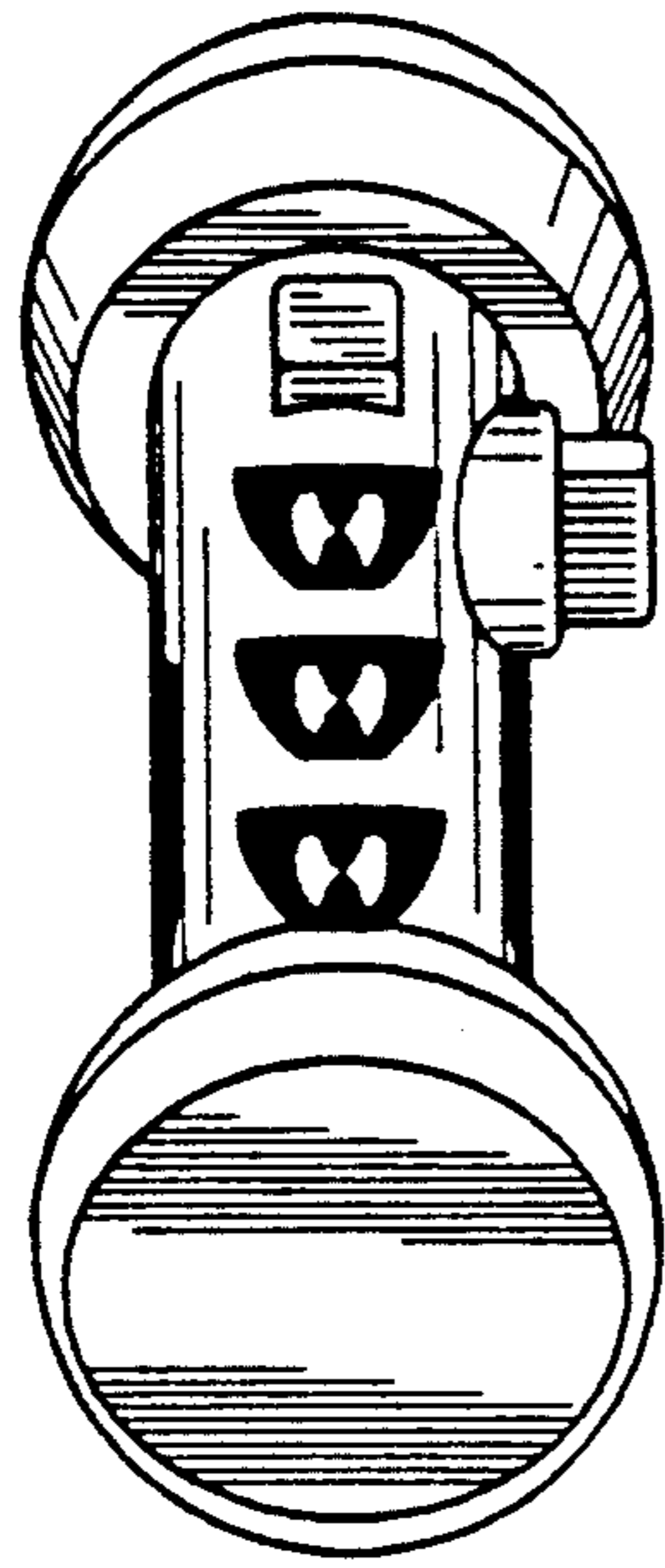


FIG. 4

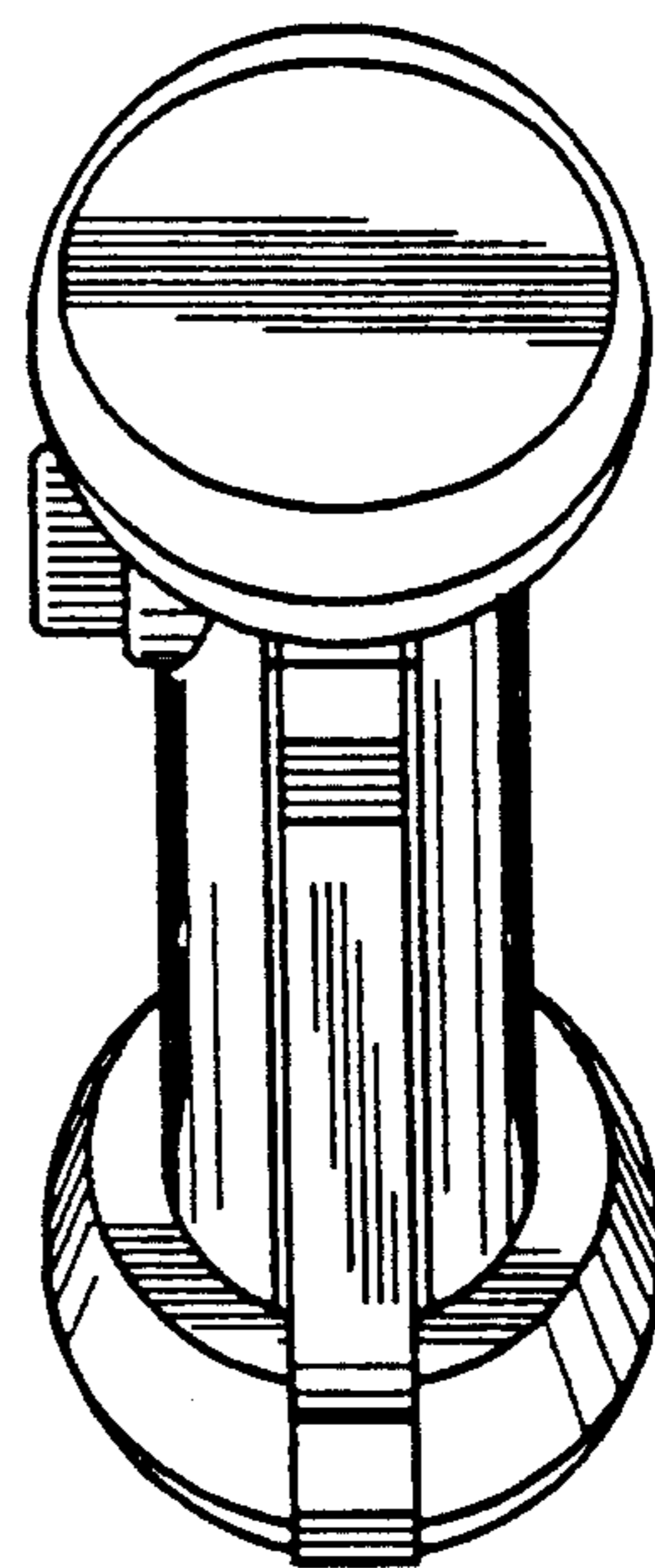


FIG. 5

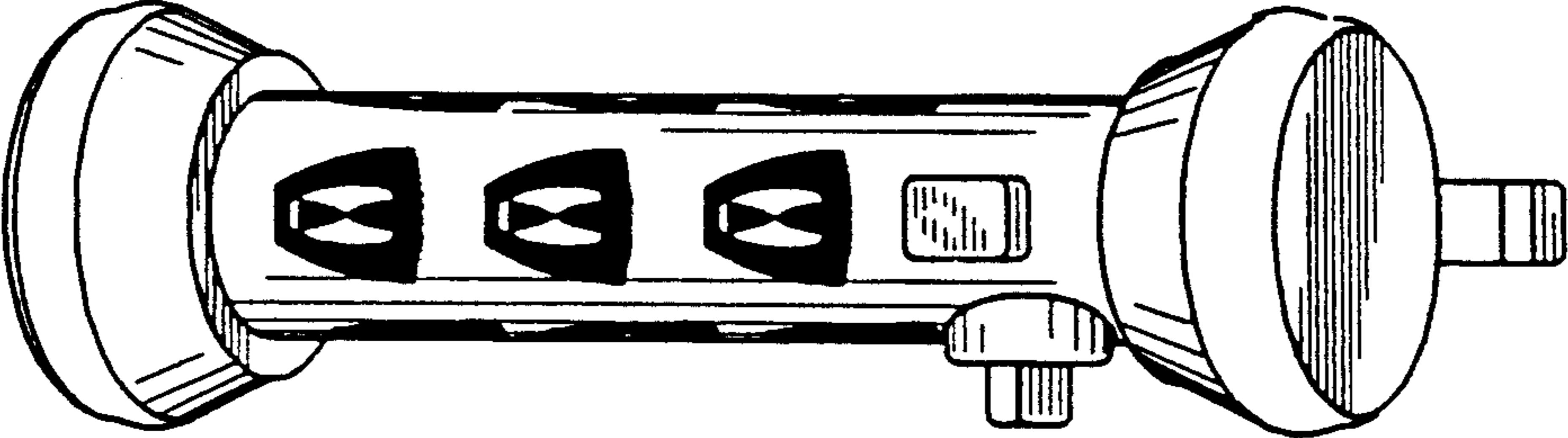


FIG. 6

