



US00D344013S

United States Patent [19]

[11] Patent Number: **Des. 344,013**

Rodrigue

[45] Date of Patent: **** Feb. 8, 1994**

[54] **KEY FOR BUILDING BLOCKS**

[75] Inventor: **Jacques Rodrigue, Montreal, Canada**

[73] Assignee: **Transpavé Inc., St-Eustache, Canada**

[**] Term: **14 Years**

[21] Appl. No.: **935,218**

[22] Filed: **Aug. 27, 1992**

3,461,631	8/1969	Brugnola	52/609
3,668,831	6/1972	Sweet et al.	52/596
4,512,685	4/1985	Hegle	405/284
4,684,294	8/1987	O'Neill	405/286
4,741,136	5/1988	Thompson	52/589
4,815,897	3/1989	Risi et al.	405/286
4,896,999	1/1990	Ruckstuhl	52/596

[30] **Foreign Application Priority Data**

Mar. 2, 1992 [CA] Canada 02-03-92-4

[52] U.S. Cl. **D8/382; D25/116**

[58] **Field of Search** **D8/382, 384, 386;**
52/35.1, 355, 596, 357, 379, 271, 589, 593, 591,
592, 689, 280; 404/50; 405/284, 286;
D25/113-118

Primary Examiner—A. Hugo Word
Assistant Examiner—Doris Clark
Attorney, Agent, or Firm—Robert Brouillette; Ronald S. Kosie

[56] **References Cited**

U.S. PATENT DOCUMENTS

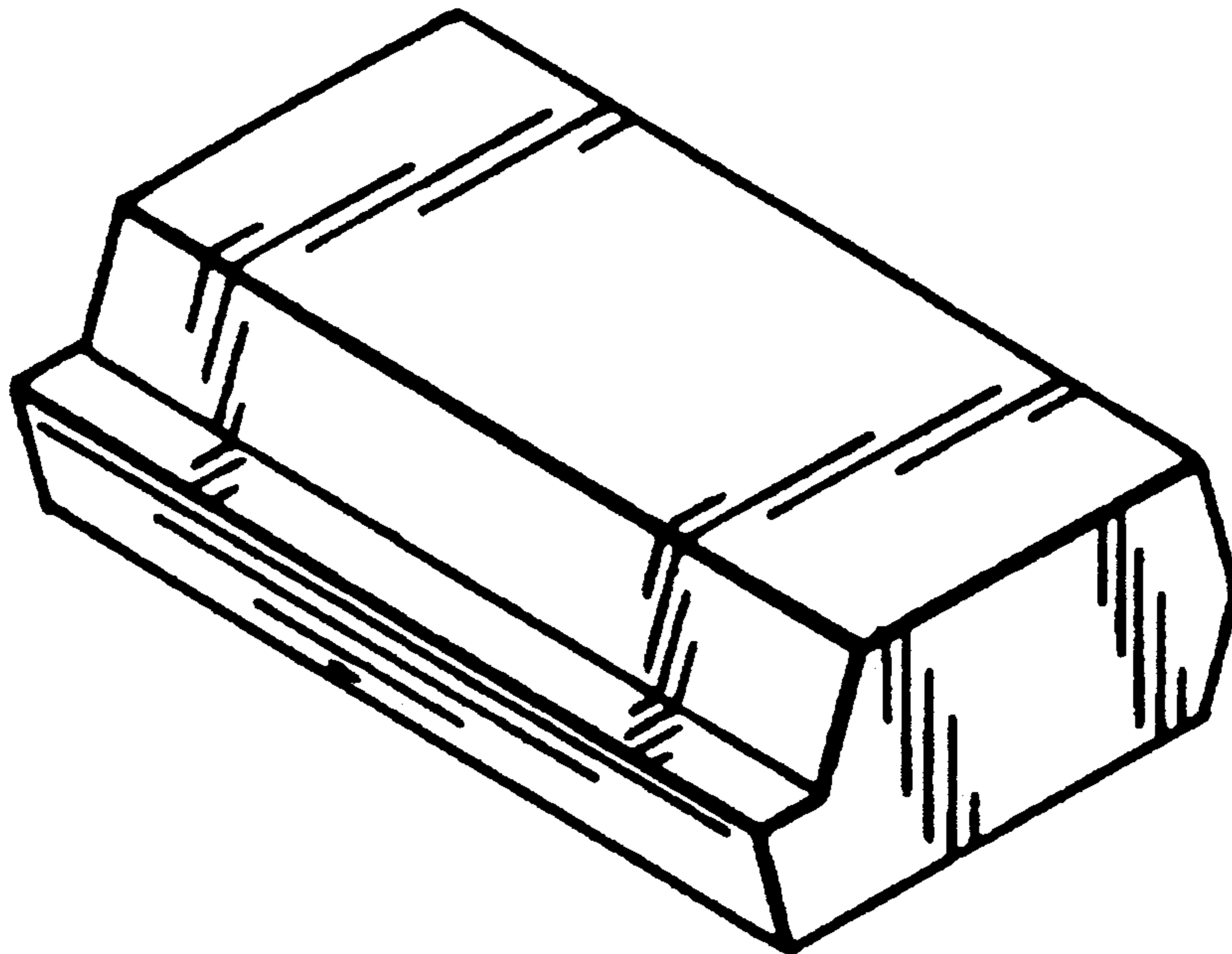
D. 337,721	2/1993	Hodel	D8/382
2,933,920	4/1960	Steuler	D25/116
3,099,110	7/1963	Spaight	404/50
3,217,457	11/1965	Naar	52/379

[57] **CLAIM**

The ornamental design for a key for building blocks, as shown.

DESCRIPTION

FIG. 1 is a perspective view of a key for building blocks according to the design;
 FIG. 2 is a side elevational view thereof;
 FIG. 3 is an opposite side elevational view thereof;
 FIG. 4 is a top plan view thereof;
 FIG. 5 is a bottom plan view thereof;
 FIG. 6 is a front elevational view thereof; and,
 FIG. 7 is a rear elevational view thereof.



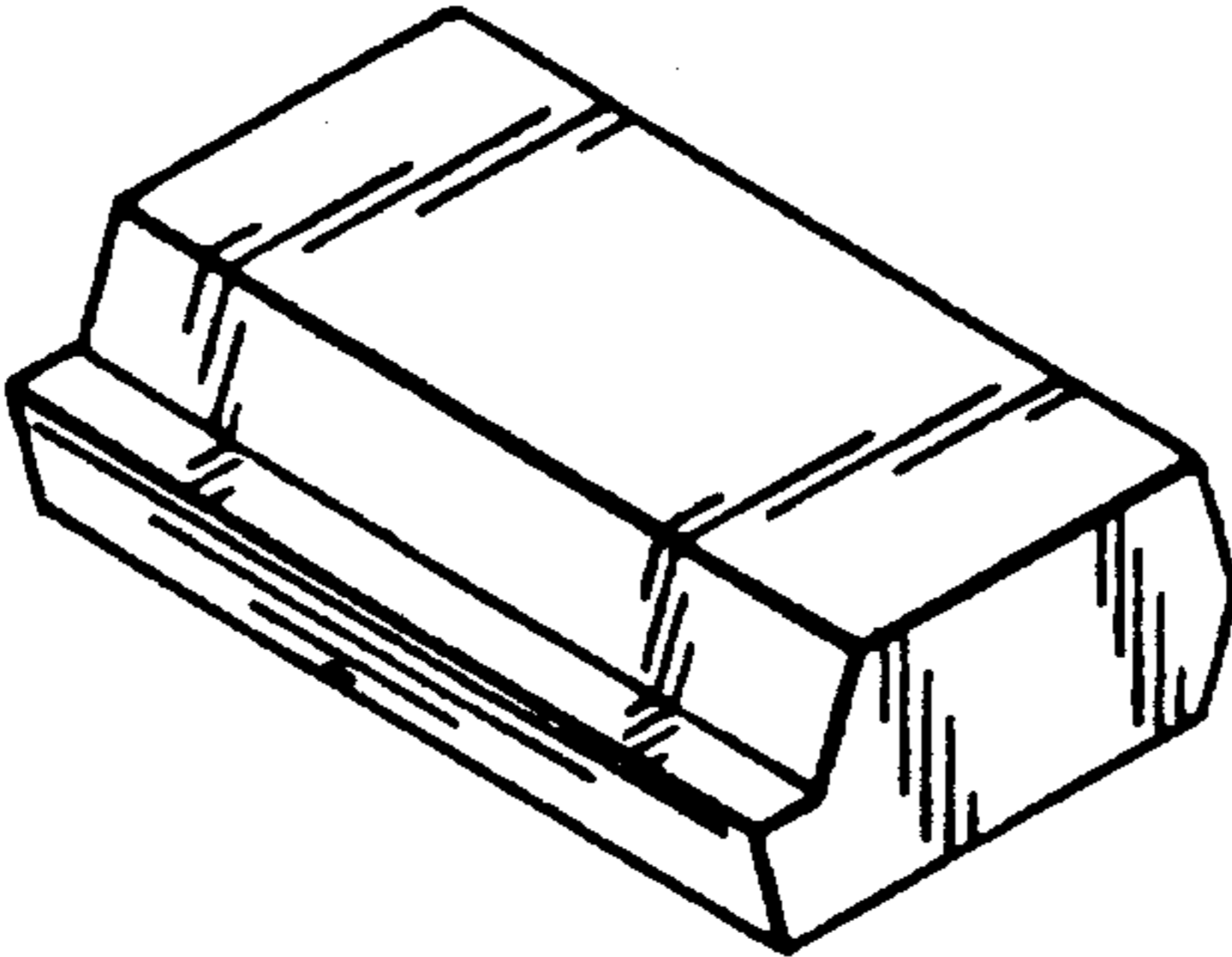


FIG. 1



FIG. 2



FIG. 3

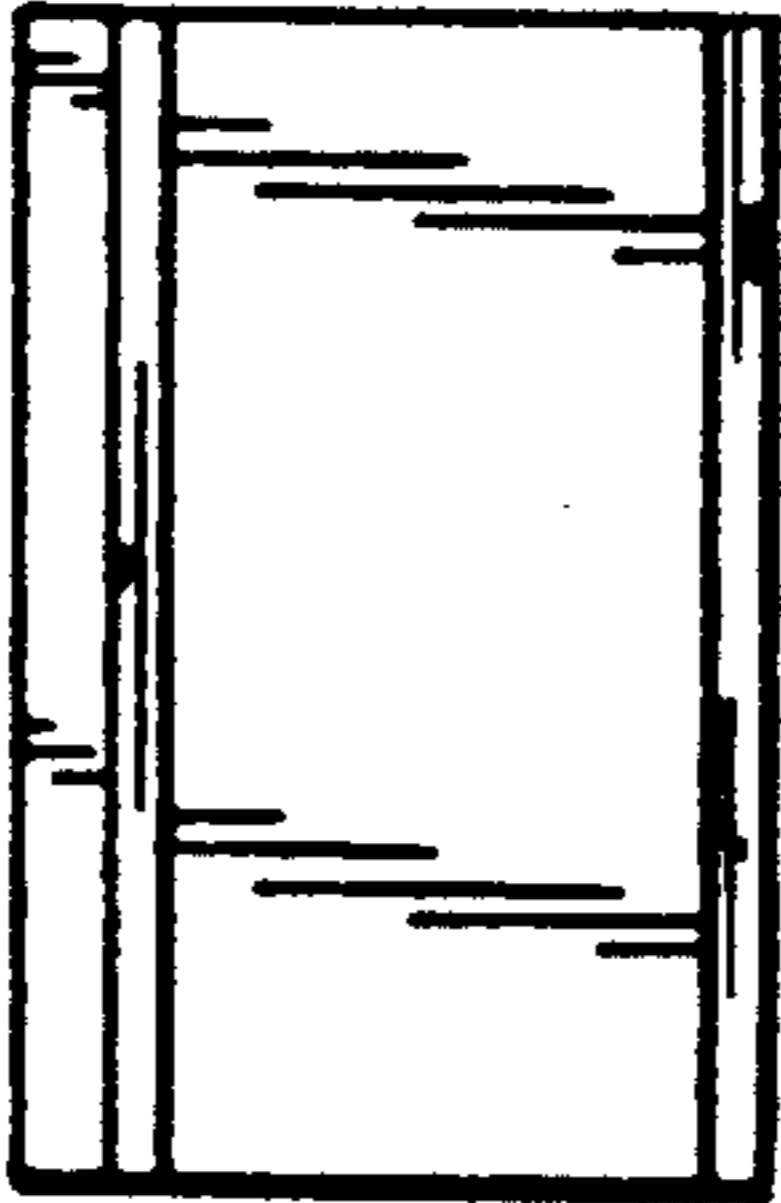


FIG. 4

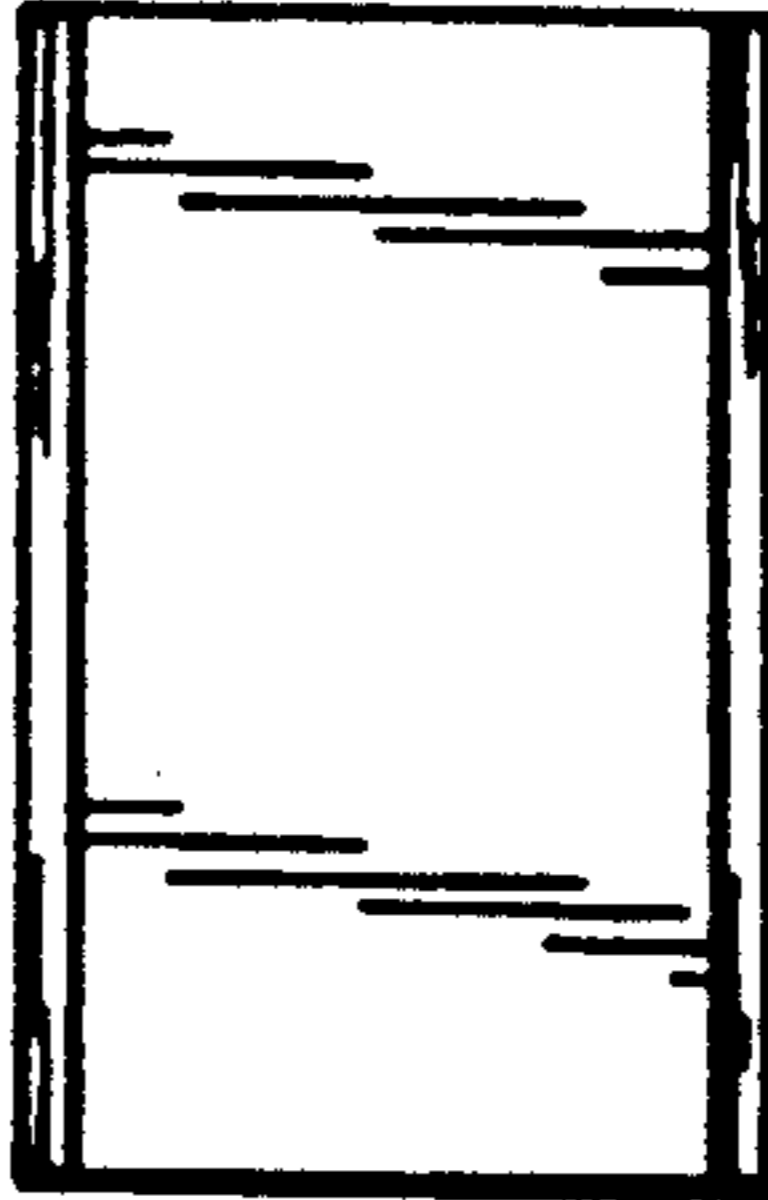


FIG. 5

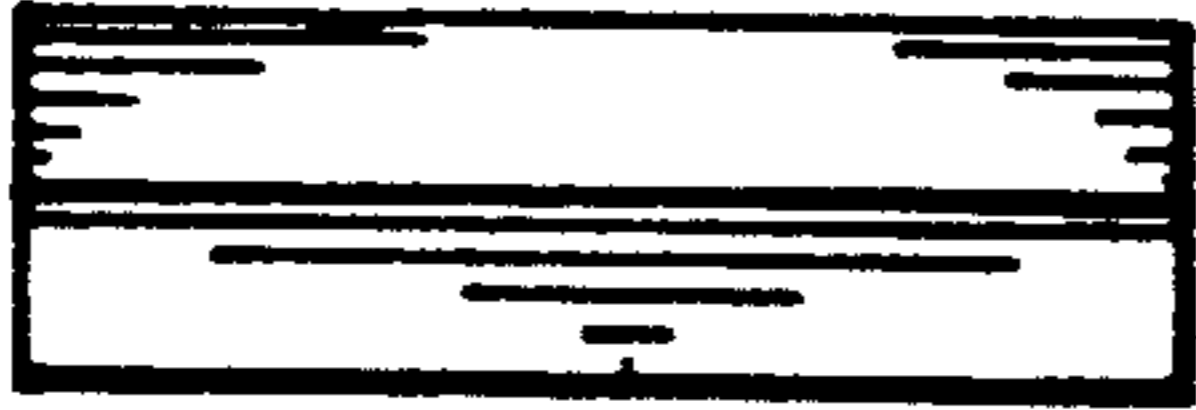


FIG. 6

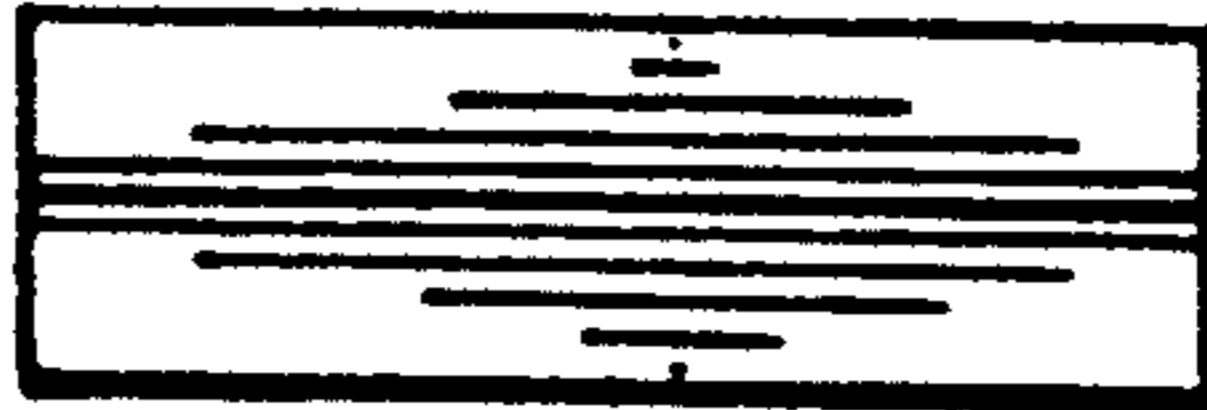


FIG. 7