



US00D344011S

United States Patent [19]

Carsello

[11] Patent Number: **Des. 344,011**

[45] Date of Patent: **** Feb. 8, 1994**

[54] KEY BOW

[75] Inventor: **Anthony J. Carsello, Chino, Calif.**

[73] Assignee: **Emhart Inc., Newark, Del.**

[**] Term: **14 Years**

[21] Appl. No.: **922,081**

[22] Filed: **Jul. 31, 1992**

[52] U.S. Cl. **D8/347**

[58] Field of Search **D8/347-348;**
70/393-395, 402, 405-406, 408

[56] References Cited

U.S. PATENT DOCUMENTS

D. 39,689	12/1908	Jackson	D8/347
D. 66,465	1/1925	Best	D8/348
D. 187,083	1/1960	Henshaw	D8/347
D. 197,732	3/1964	Best	D8/348
D. 225,301	12/1972	Uliano	D8/348
D. 272,516	2/1984	Ohno	D8/347
D. 333,973	3/1993	Eizen	D8/347
1,707,642	4/1929	Segal	70/393
3,349,589	10/1967	Fricke	70/395
3,526,112	9/1970	Herrington	70/395

OTHER PUBLICATIONS

Ilco Unican Catalogue #60R (1984) p. 4 Abus #Y220.
Ilco Unican Catalogue #60R (1984) p. 7 Craftsman #C1096CN.

The Unican Group Catalog, No. 60 Key Blank Directory, 1988 Edition, Section 8, p. 3, Style No. B308.

Primary Examiner—Brian N. Vinson
Attorney, Agent, or Firm—J. Bruce Hoofnagle

[57] CLAIM

The ornamental design for key bow, as shown and described.

DESCRIPTION

FIG. 1 is a front elevational view of a key bow showing my new design, the rear being a mirror image of that shown;

FIG. 2 is a bottom plan view thereof, the top being a mirror image of that shown;

FIG. 3 is a left side elevational view thereof;

FIG. 4 is a right side elevational view thereof;

FIG. 5 is an enlarged fragmentary cross-sectional view thereof, taken along line 5—5 of FIG. 1; and,

FIG. 6 is an enlarged fragmentary cross-sectional view thereof, taken along line 6—6 of FIG. 1.

The broken-line disclosure of the key shank in the views is for illustrative purposes only and forms no part of the claimed design.

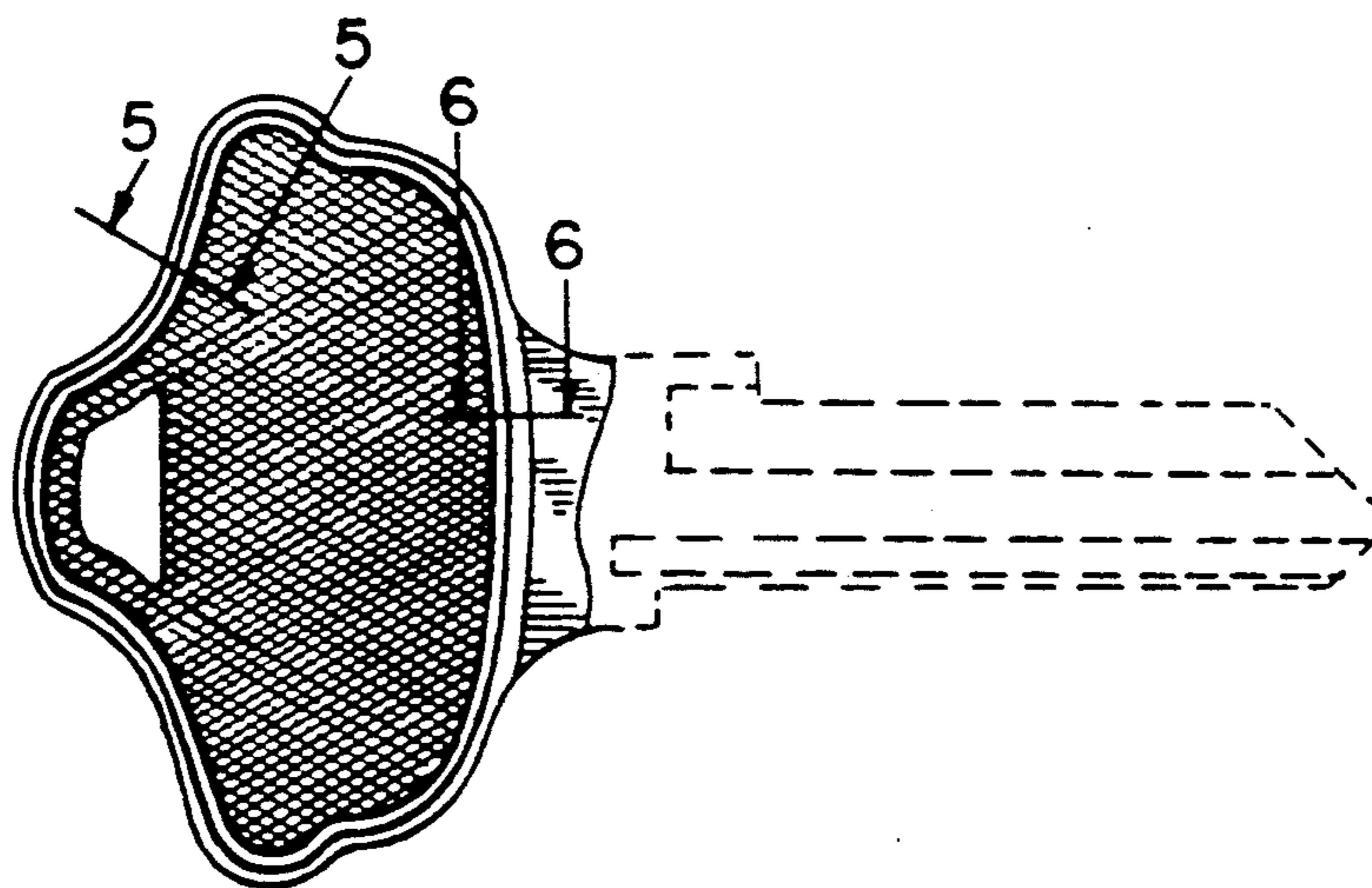




FIG. 5

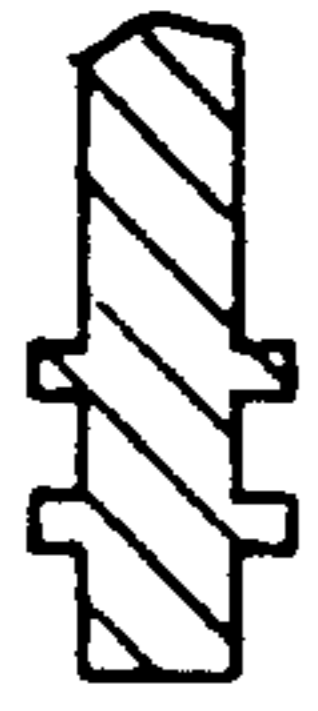


FIG. 6

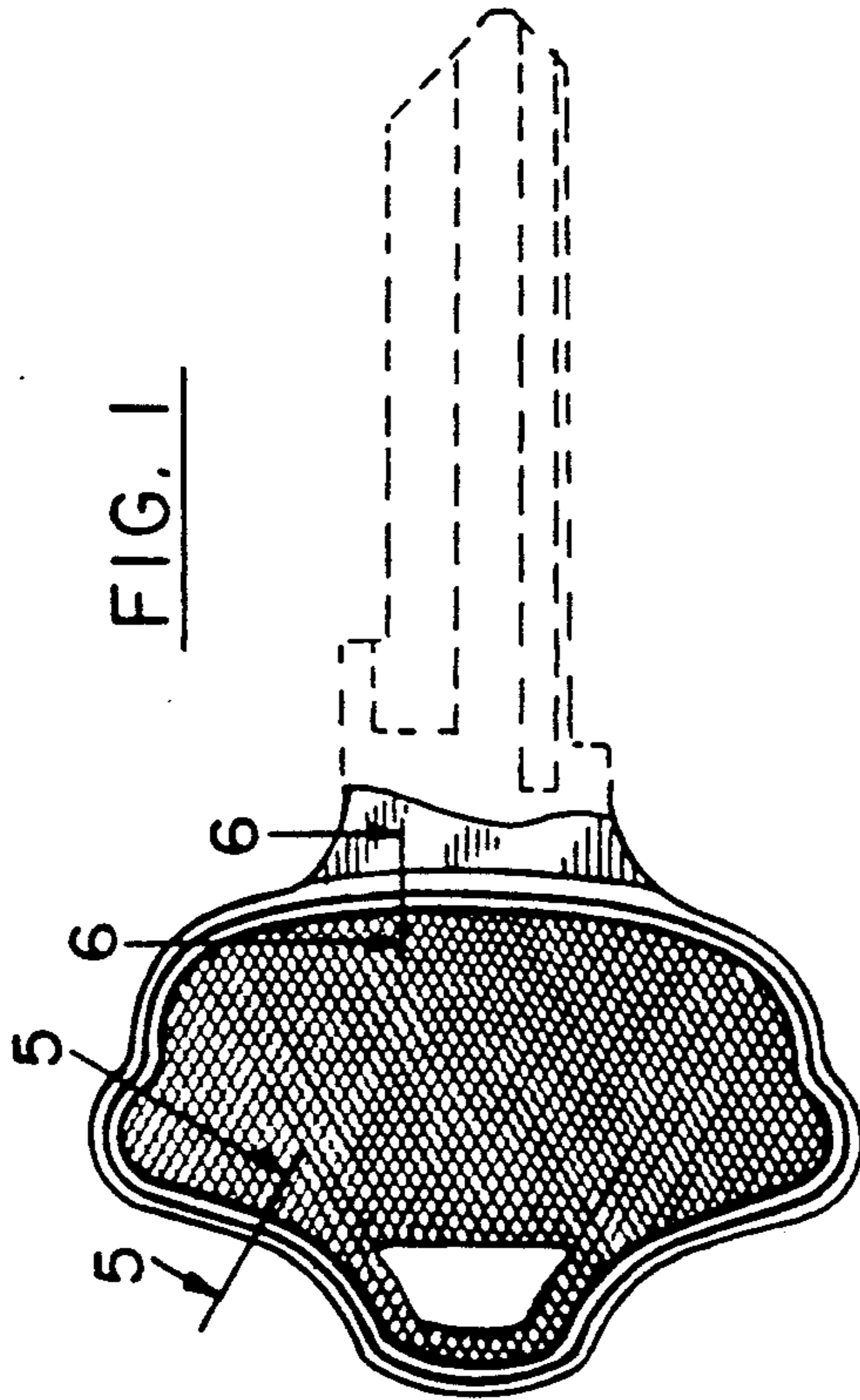


FIG. 1



FIG. 3



FIG. 4



FIG. 2