



US00D344009S

# United States Patent [19]

[11] Patent Number: Des. 344,009

Fontenot

[45] Date of Patent: \*\* Feb. 8, 1994

[54] SLIDING GLASS DOOR/WINDOW LOCK

[76] Inventor: Albert M. Fontenot, 11614 Riderwood, Houston, Tex. 77099

[\*\*] Term: 14 Years

[21] Appl. No.: 1,585

[22] Filed: Nov. 18, 1992

[52] U.S. Cl. .... D8/331

[58] Field of Search ..... D8/330-346; 292/137, 169.18, DIG. 46, DIG. 53, DIG. 55; 70/88-91, 77, 95-98, 99-100, 124, 127, 129, 134, 405, 402

[56] **References Cited**

**U.S. PATENT DOCUMENTS**

- D. 293,878 1/1988 Kayser ..... D8/339
- D. 303,079 8/1989 Parthenis ..... D8/331

- D. 319,776 9/1991 Barrett et al. .... D8/331
- 1,580,611 4/1926 Kirkpatrick ..... 70/405 X
- 3,695,657 10/1972 Rosen ..... 292/DIG. 53 X
- 4,066,284 1/1978 Ikemura ..... 292/DIG. 46 X
- 4,639,022 1/1987 Dunphy et al. .... 292/DIG. 46 X

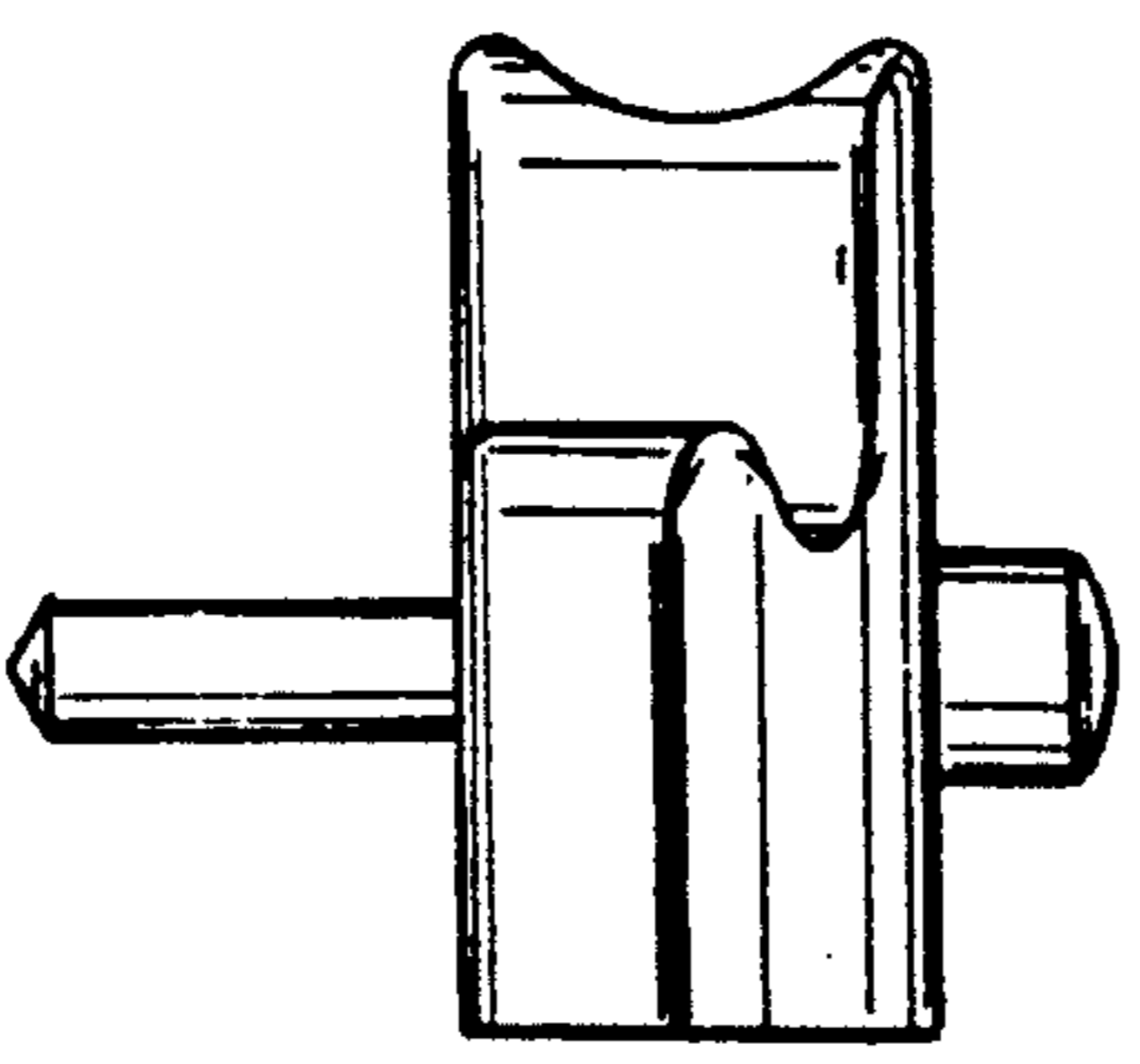
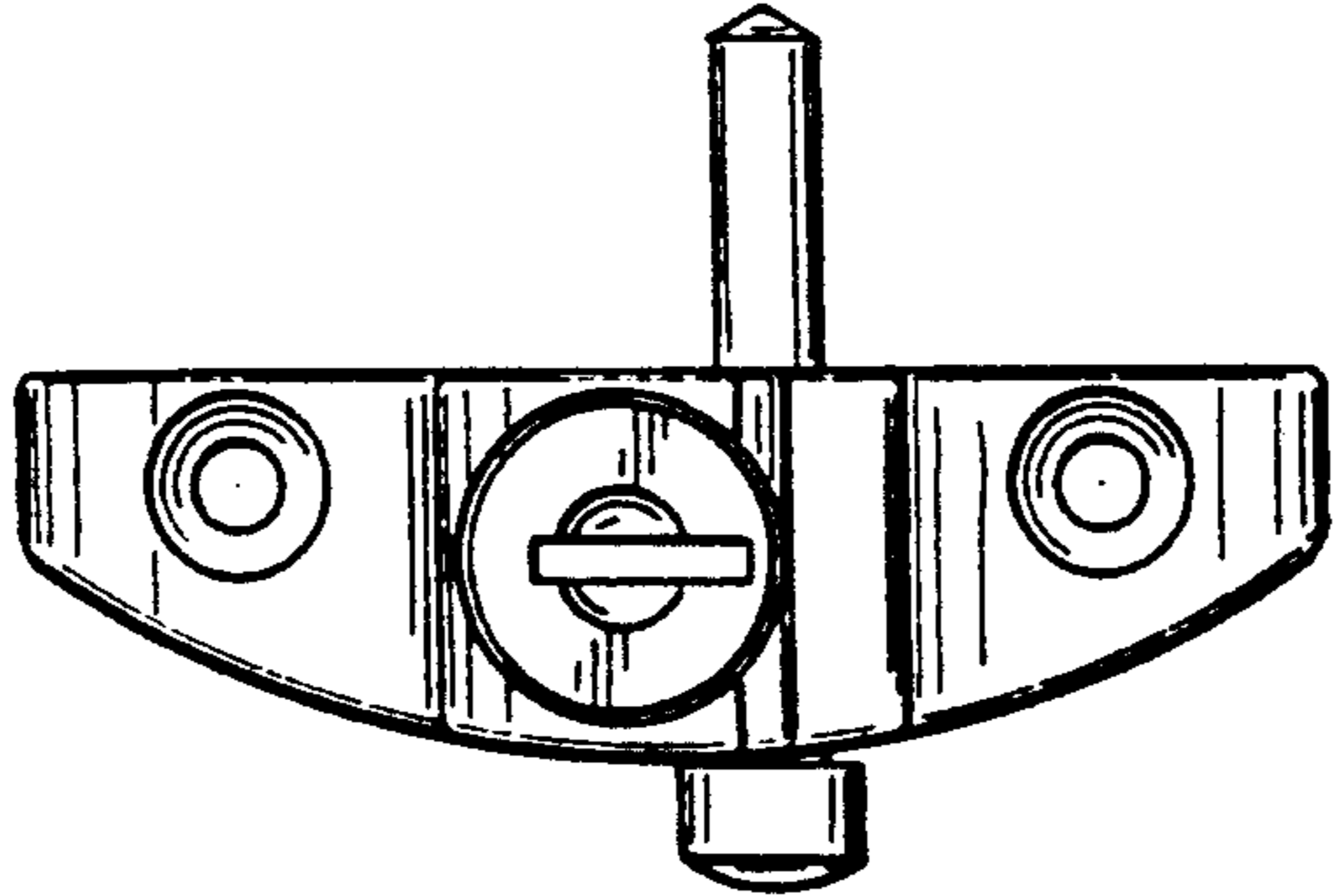
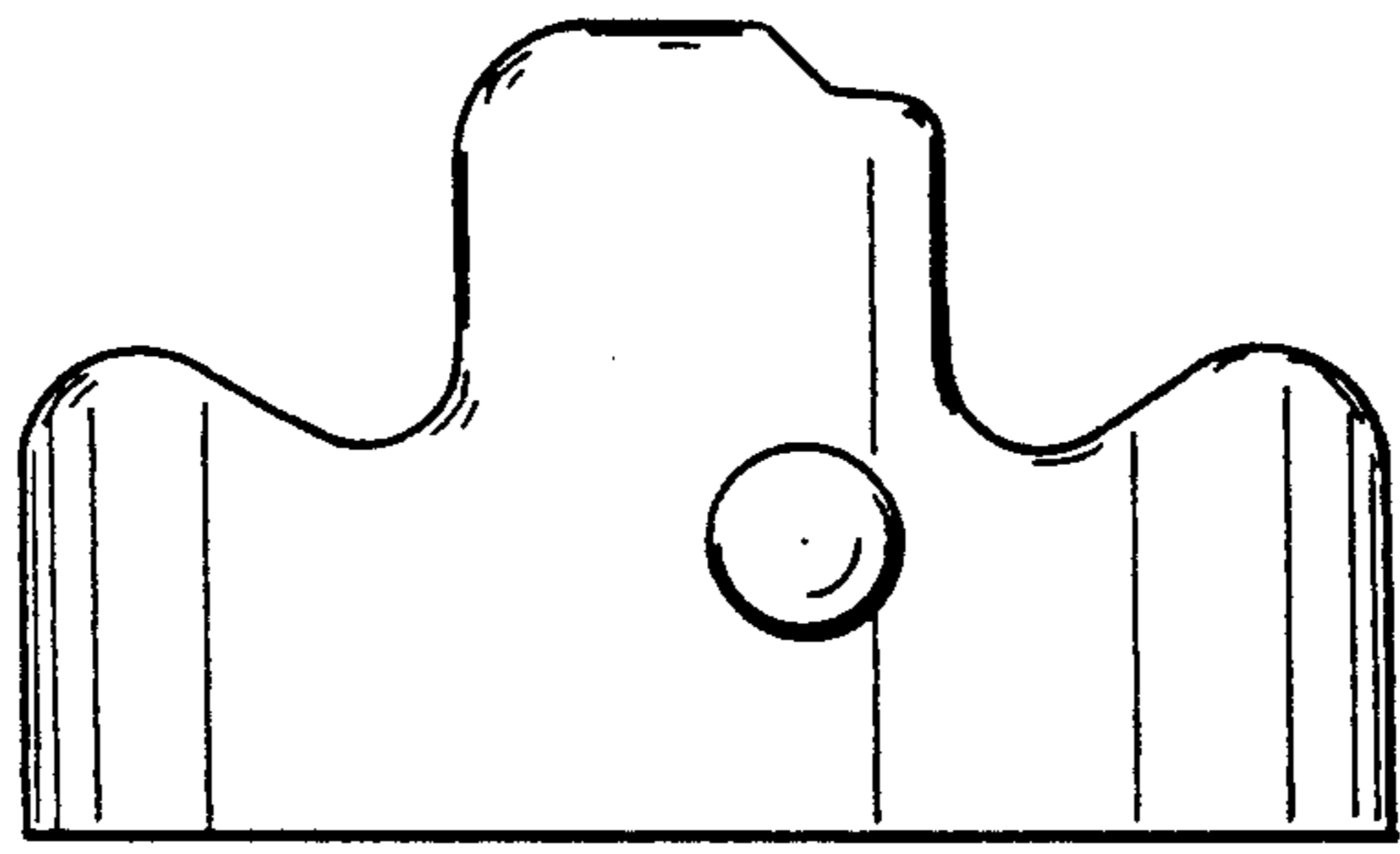
Primary Examiner—Brian N. Vinson  
Attorney, Agent, or Firm—Bush, Moseley & Riddle

[57] **CLAIM**

The ornamental design for a sliding glass door window lock, as shown.

**DESCRIPTION**

FIG. 1 is a front elevational view showing my new design;  
 FIG. 2 is a top plan view thereof;  
 FIG. 3 is a bottom plan view thereof;  
 FIG. 4 is a left side elevational view thereof;  
 FIG. 5 is a right side elevational view thereof; and,  
 FIG. 6 is a rear elevational view of my new design.



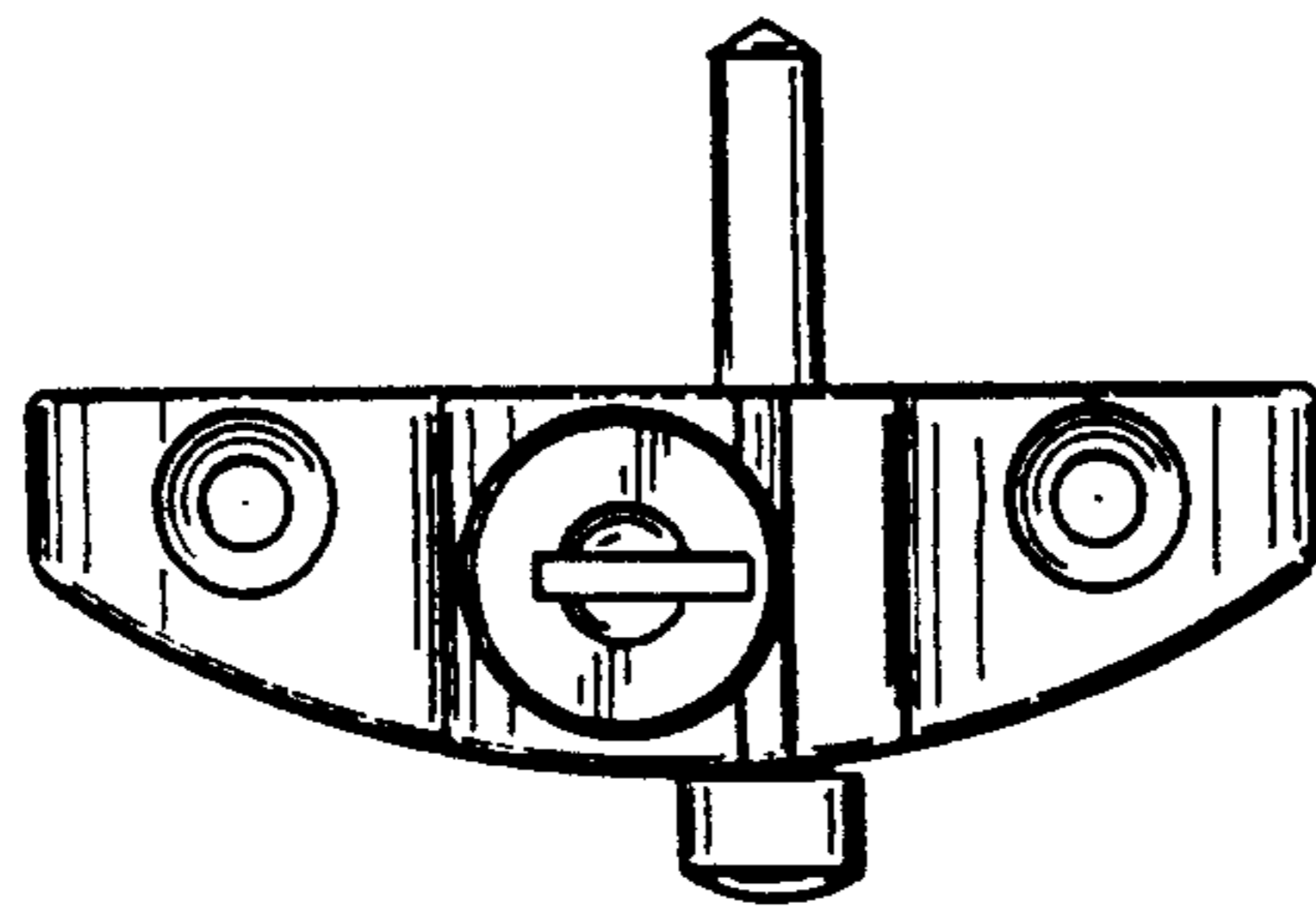


FIG. 2

FIG. 1

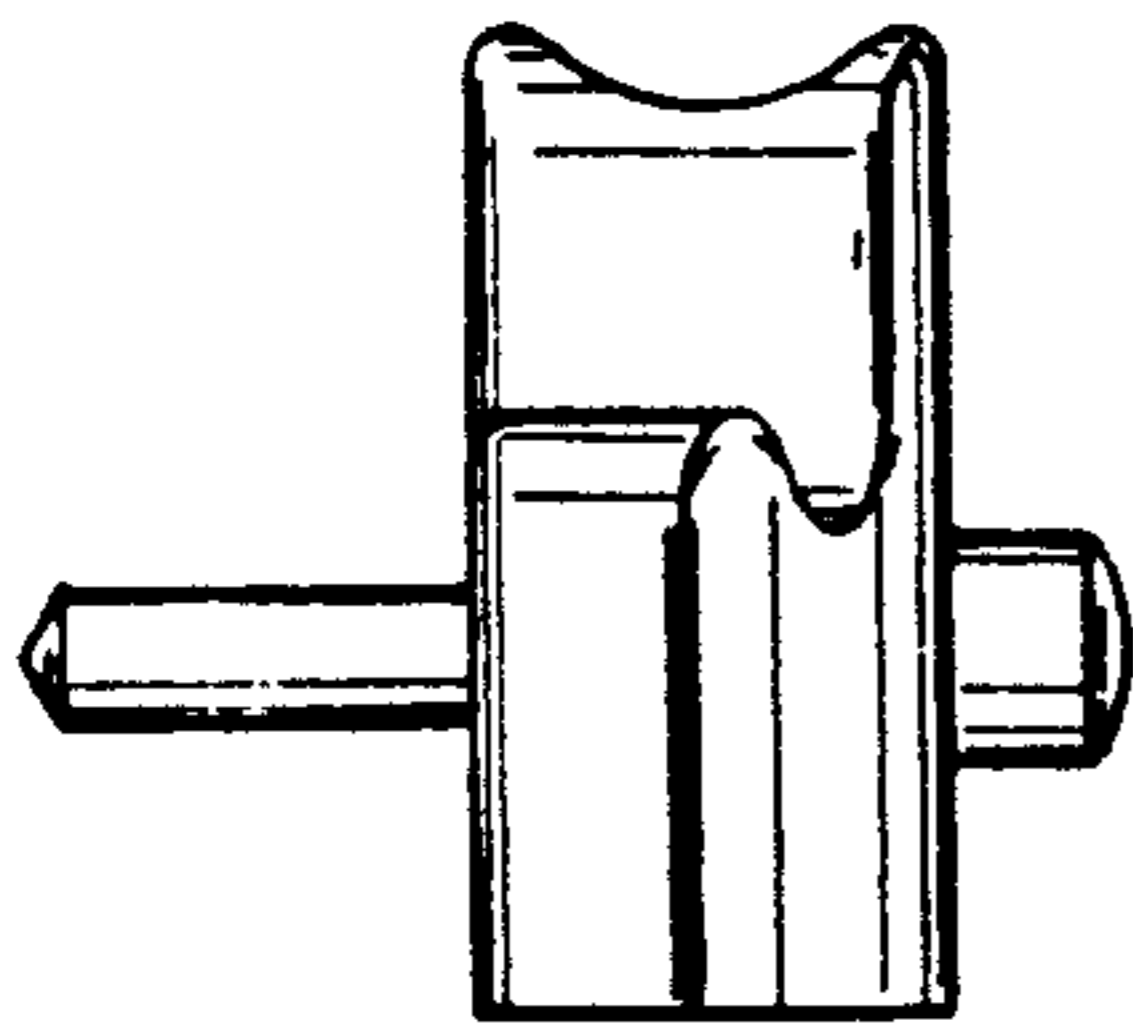


FIG. 4

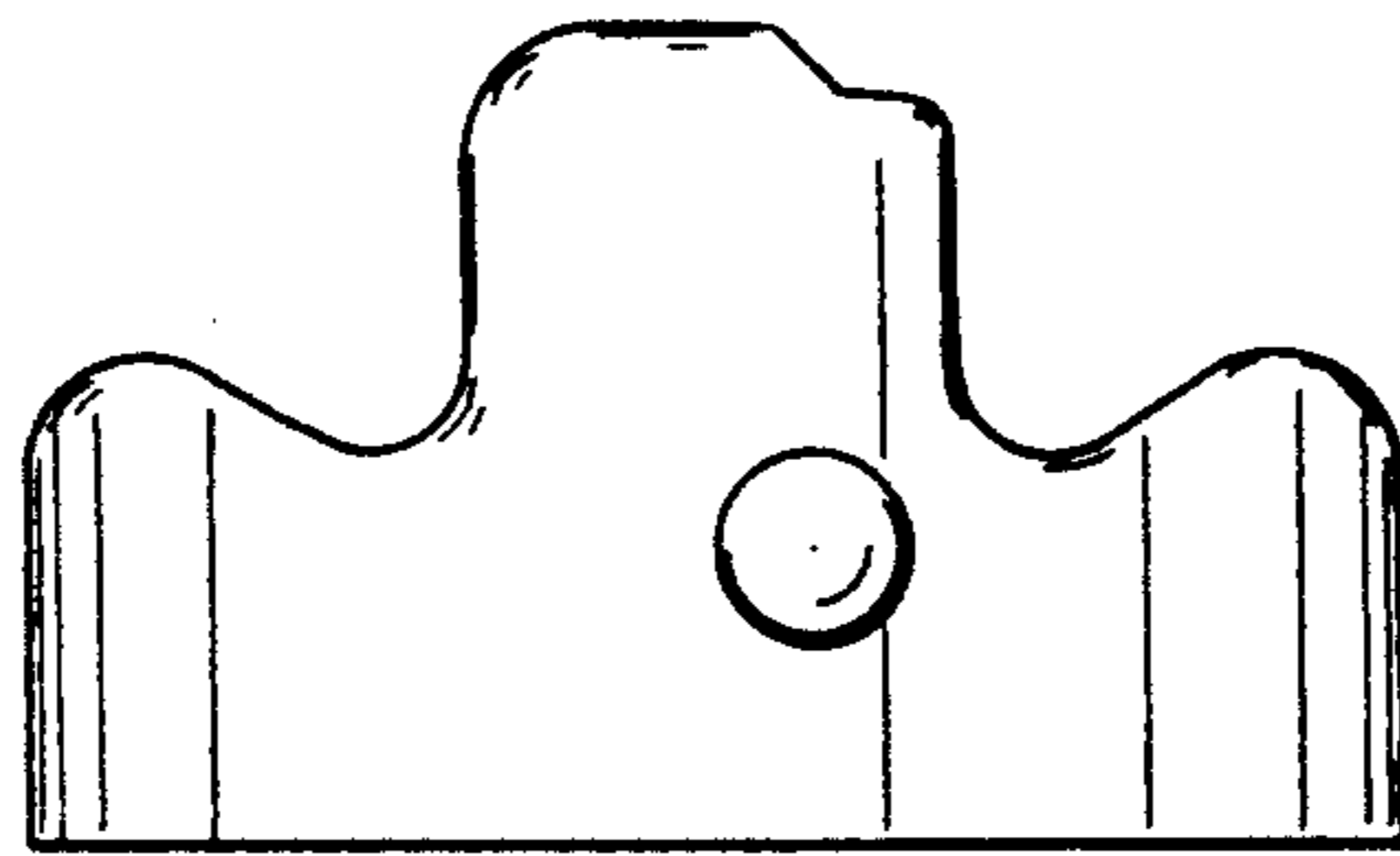


FIG. 5

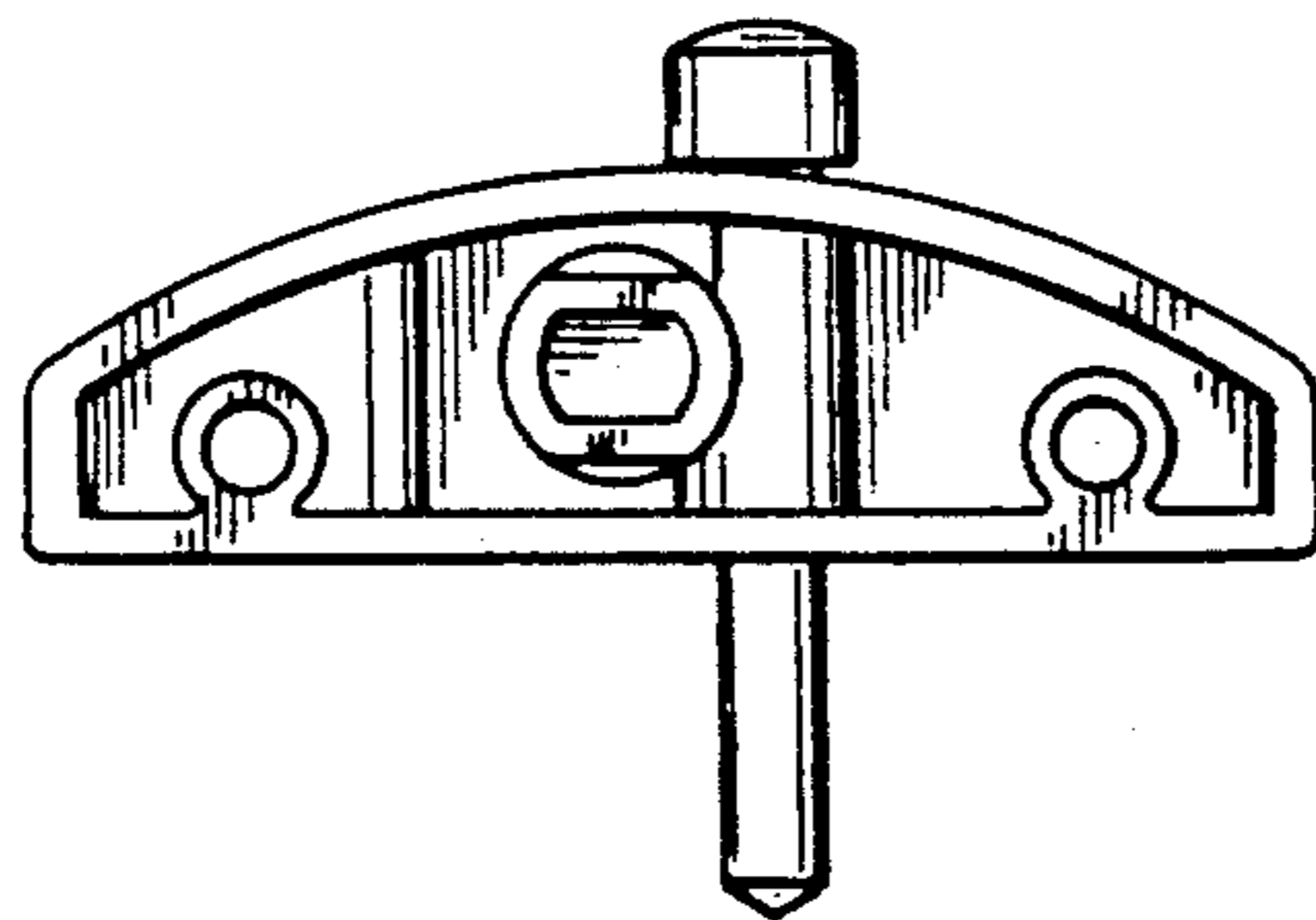


FIG. 3

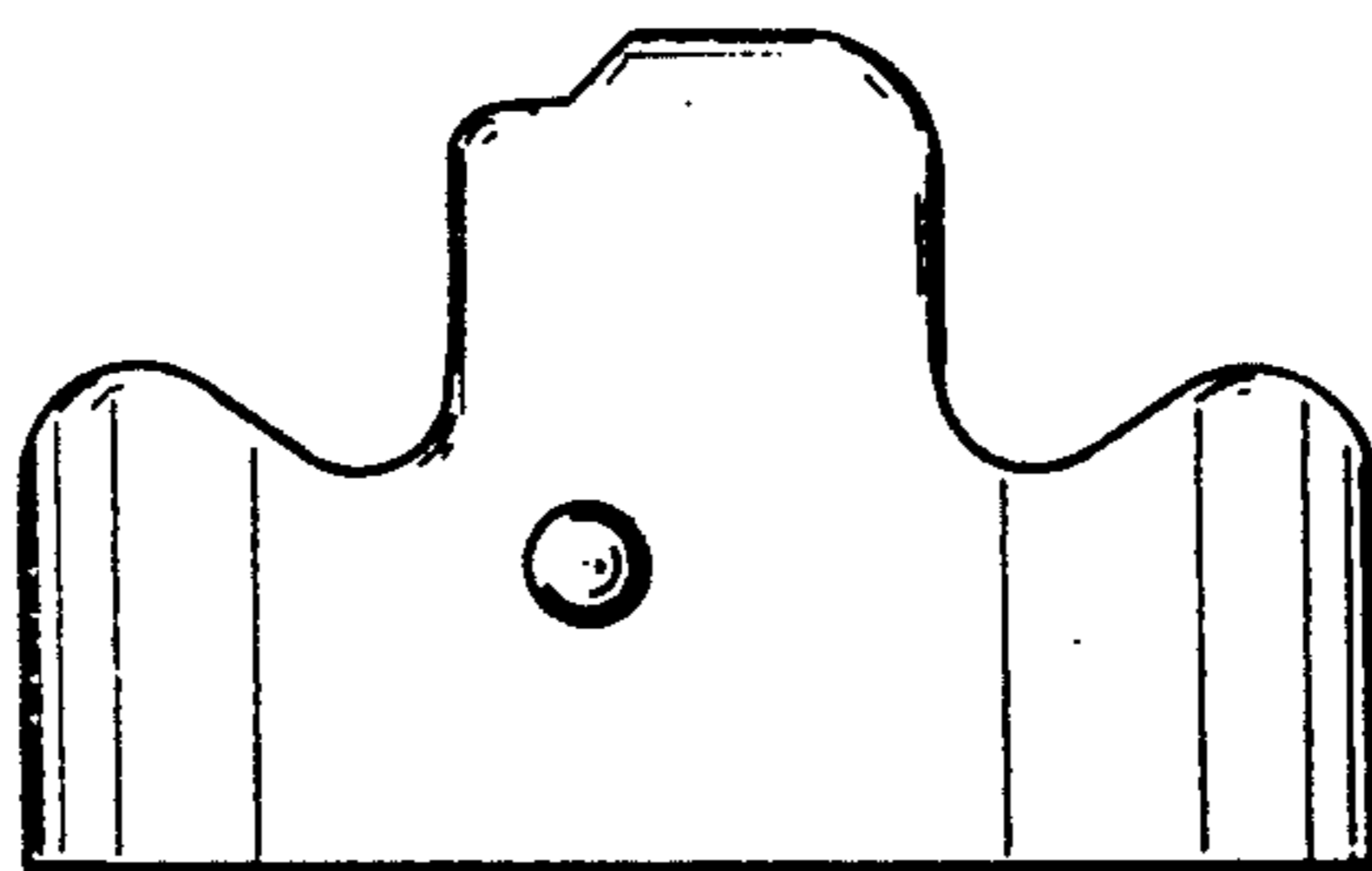


FIG. 6