



US00D344007S

United States Patent [19]

[11] Patent Number: **Des. 344,007**

Jans

[45] Date of Patent: **** Feb. 8, 1994**

[54] CABINET PULL

[75] Inventor: **Franz W. Jans**, Roedermark, Fed. Rep. of Germany

[73] Assignee: **JADO Bathroom and Hardware Manufacturing Corp.**, Camarillo, Calif.

[**] Term: **14 Years**

[21] Appl. No.: **8,679**

[22] Filed: **May 20, 1993**

[52] U.S. Cl. **D8/316**

[58] Field of Search **D8/315-320;**
16/110 R, 111 R, 125

[56] References Cited

U.S. PATENT DOCUMENTS

D. 258,228 2/1981 Rumbaugh D8/316

D. 337,507 7/1993 Jans D8/316

2,498,139 2/1950 Simjian 16/110 R

FOREIGN PATENT DOCUMENTS

1179141 12/1958 France 16/111 R

OTHER PUBLICATIONS

Paul Associates Cat.; p. 58; pull 3820.

Paul Associates Cat.; p. 57; pull 865.

Primary Examiner—B. J. Bullock

Attorney, Agent, or Firm—H. Michael Brucker

[57] CLAIM

The ornamental design for a cabinet pull, as shown and described.

DESCRIPTION

FIG. 1 is a perspective view of a cabinet pull showing my new design;

FIG. 2 is an enlarged front view;

FIG. 3 is an enlarged rear view;

FIG. 4 is an enlarged left side view, the right side being a mirror image;

FIG. 5 is an enlarged top view, the bottom being a mirror image; and,

FIG. 6 is a perspective view of a second embodiment of the design of FIG. 1, the only difference being that the cross member has a finish that contrasts to the rest of the cabinet pull.

The cross member of the cabinet pull is shown broken away in FIGS. 2, 3 and 5 for ease of illustration.

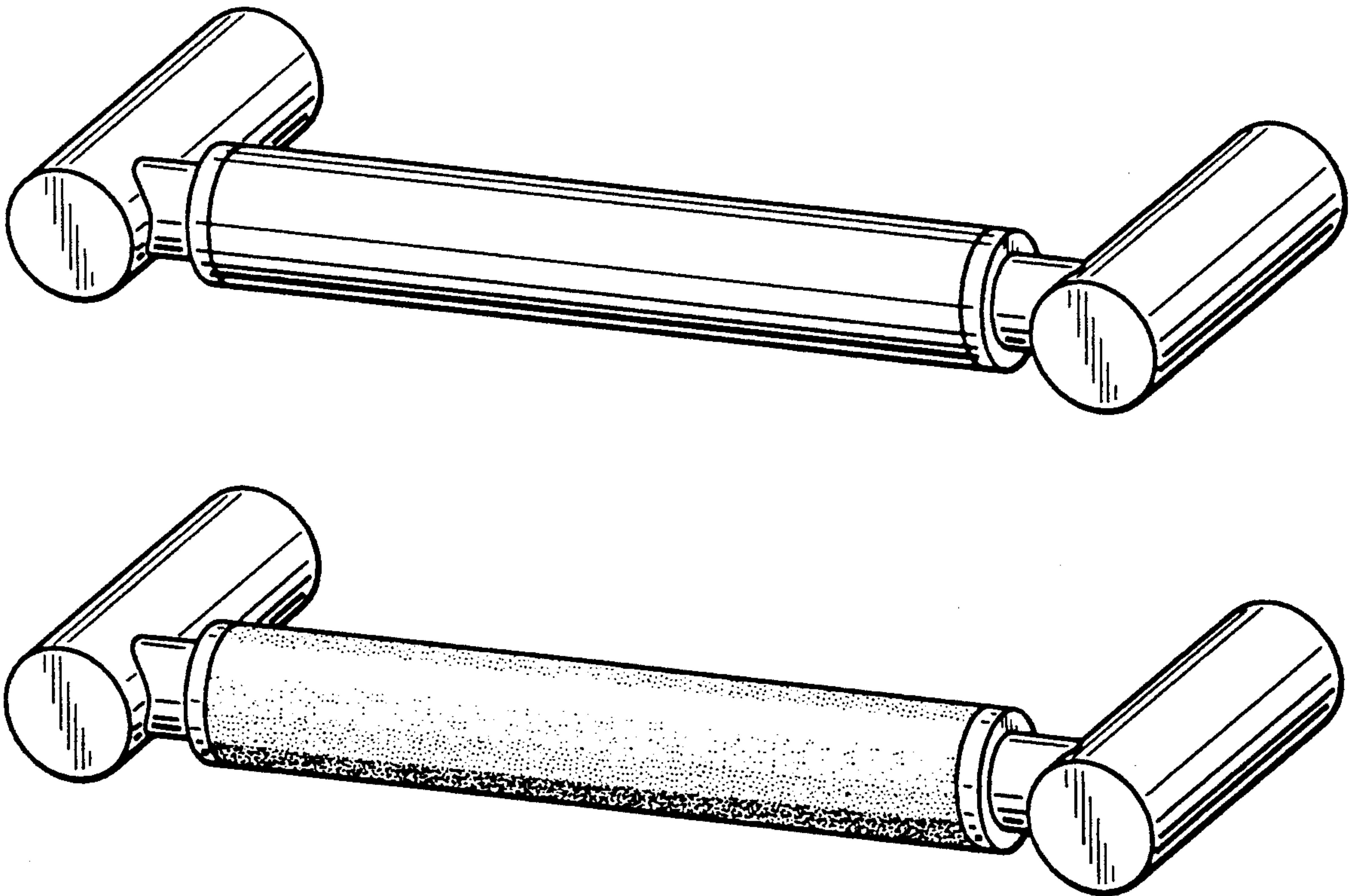




FIG._1

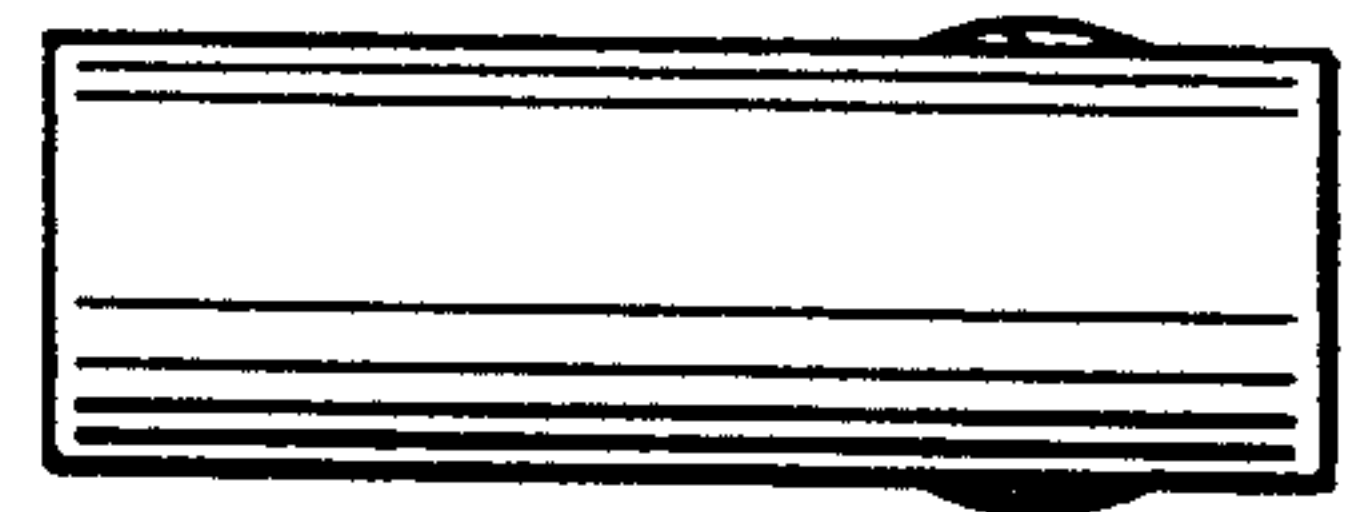


FIG._4

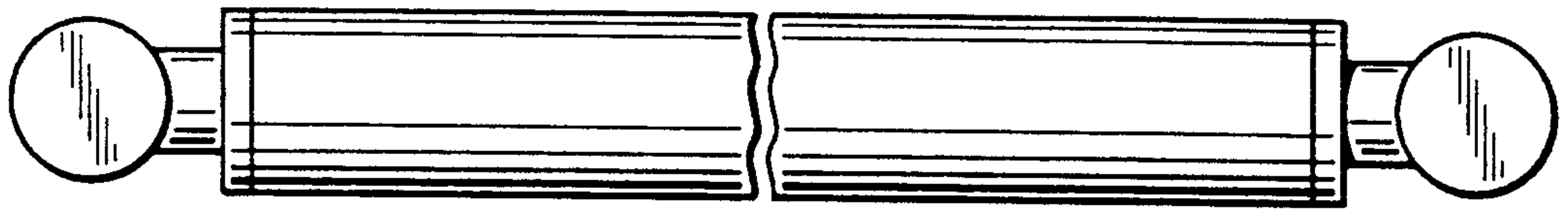


FIG._2

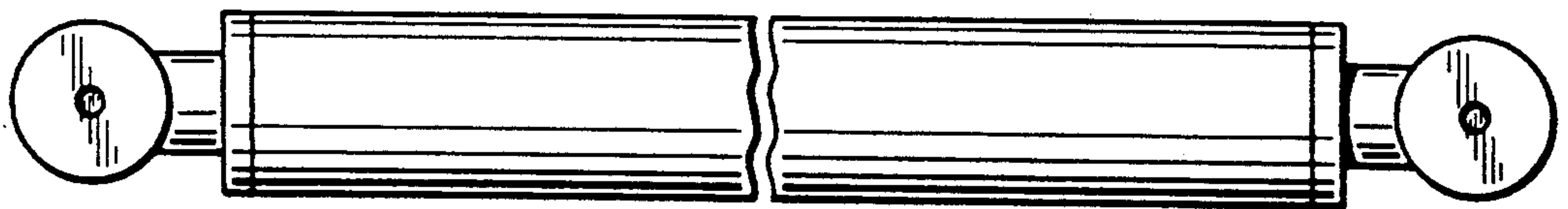


FIG._3

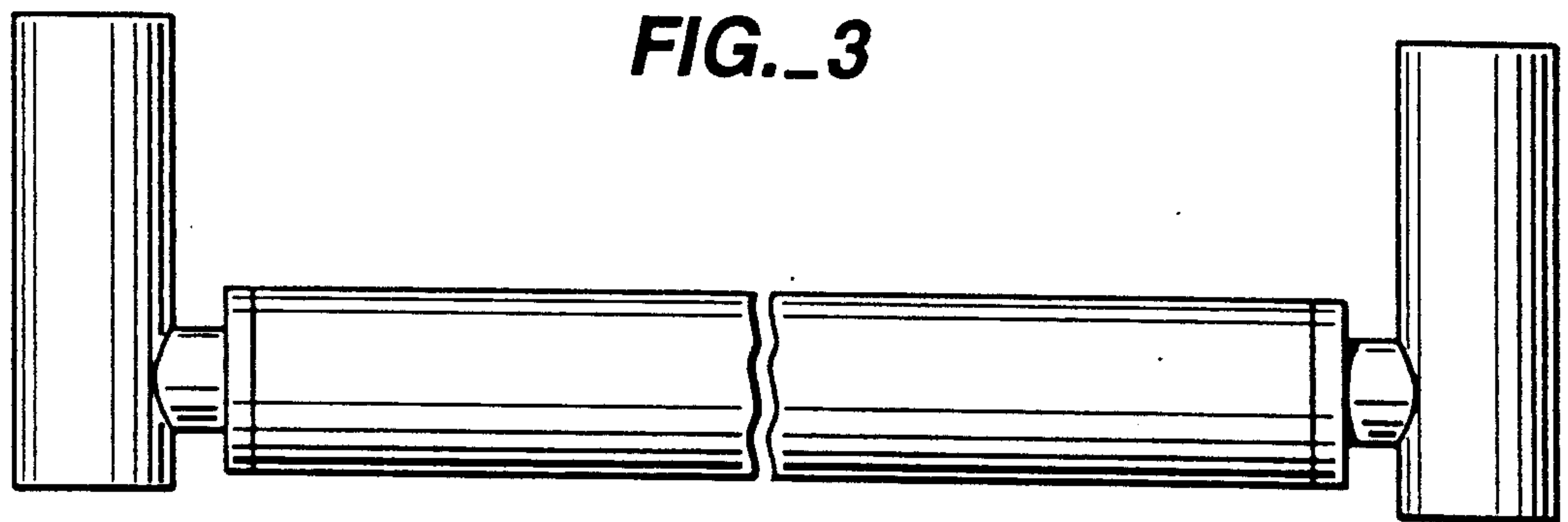


FIG._5

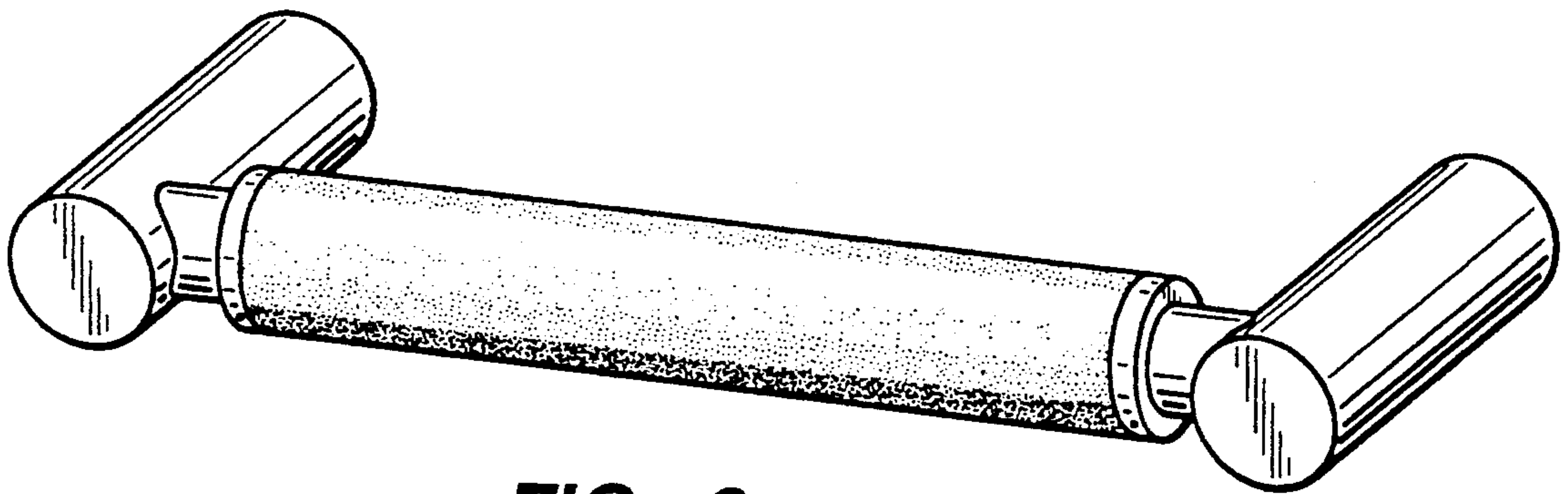


FIG. 6