



US00D344003S

United States Patent [19]

[11] Patent Number: **Des. 344,003**

Milkie

[45] Date of Patent: **** Feb. 8, 1994**

[54] **MANUAL SANDER**

4,779,385	10/1988	Reiter	51/273
4,937,984	7/1990	Taranto	51/392
4,964,243	10/1990	Reiter	51/392
5,007,206	4/1991	Paterson	51/180

[76] Inventor: **Terry H. Milkie**, 3800 Steeles Ave. W., Ste. 9, Woodbridge, Ontario, Canada, L4L 4G9

[**] Term: **14 Years**

[21] Appl. No.: **927,358**

[22] Filed: **Jul. 31, 1992**

[52] U.S. Cl. **D8/90**

[58] Field of Search **D8/90, 14, 62; 51/392, 51/393, 390, 273, 180, 170 R**

[56] **References Cited**

U.S. PATENT DOCUMENTS

D. 310,013	8/1990	Watson	D8/90
2,499,933	3/1950	Smul	51/273
2,904,939	9/1959	Raia	51/392
4,320,601	3/1982	Haney	51/391
4,598,500	7/1986	Farauo et al.	51/273
4,616,449	10/1986	Marton	51/273
4,680,895	7/1987	Roestenberg	51/273
4,697,389	10/1987	Romine	51/180

OTHER PUBLICATIONS

Black and Decker Sander advertisement from *Home Mechanix*, Nov. 1990, vol. 86, No. 750 published by Times Mirrors Inc.

Primary Examiner—Bernard Ansher

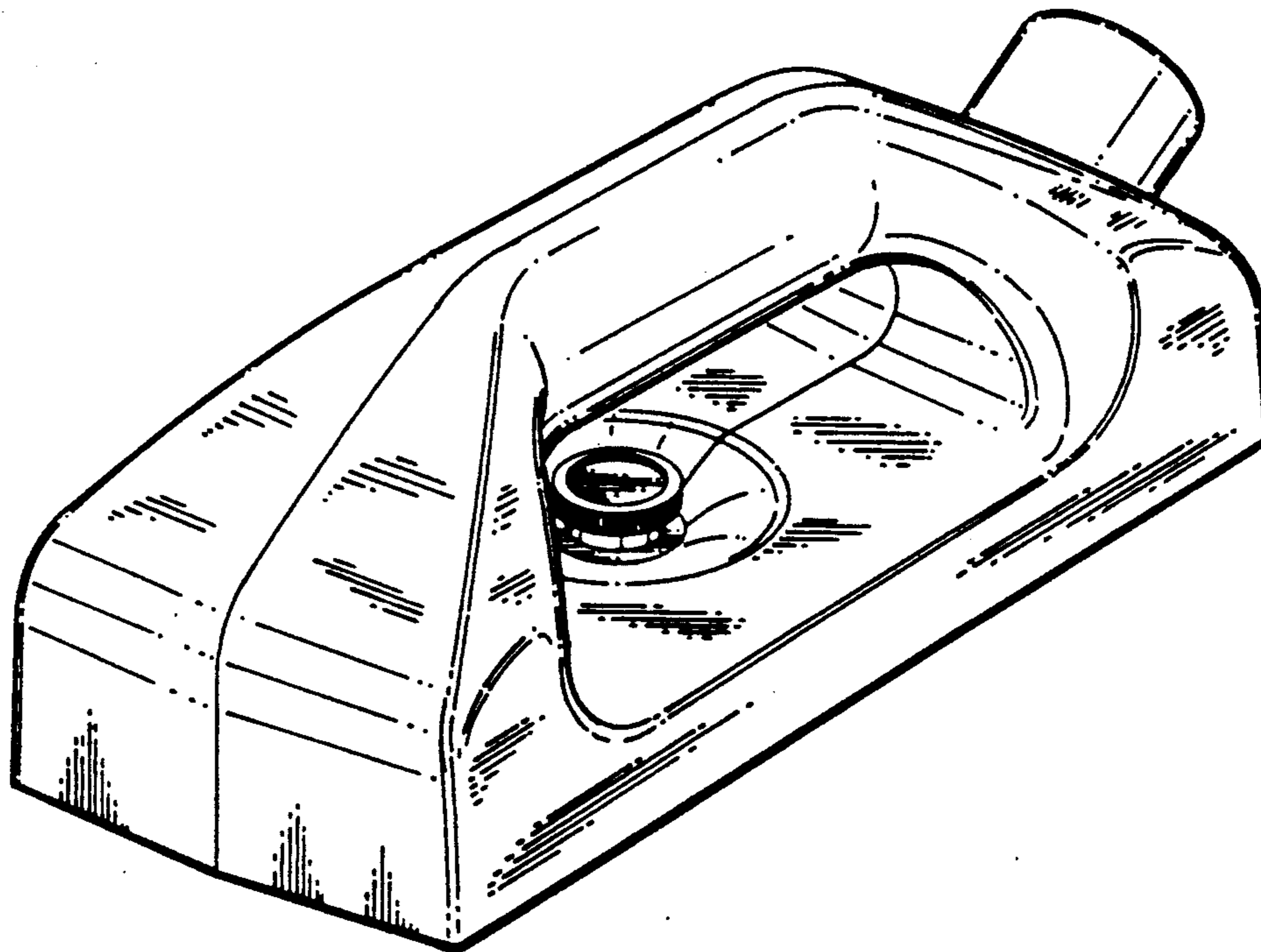
Assistant Examiner—Philip Hyder

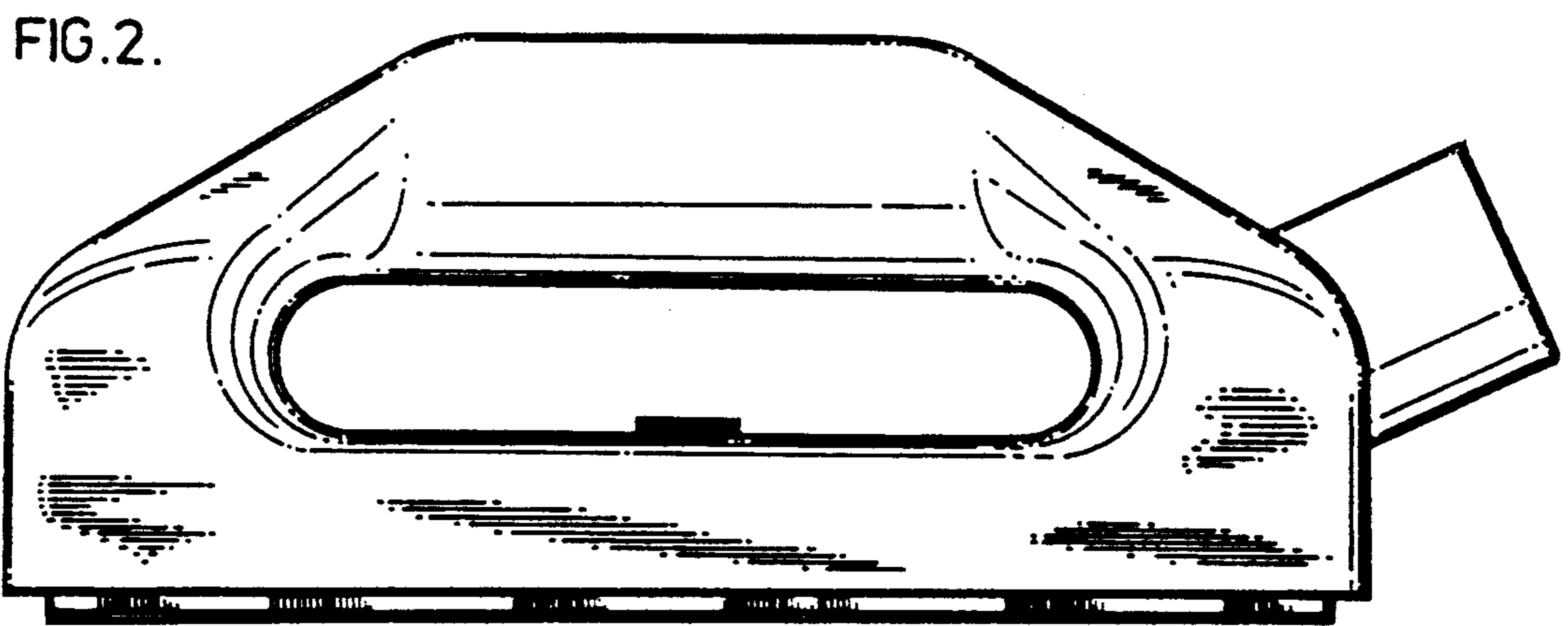
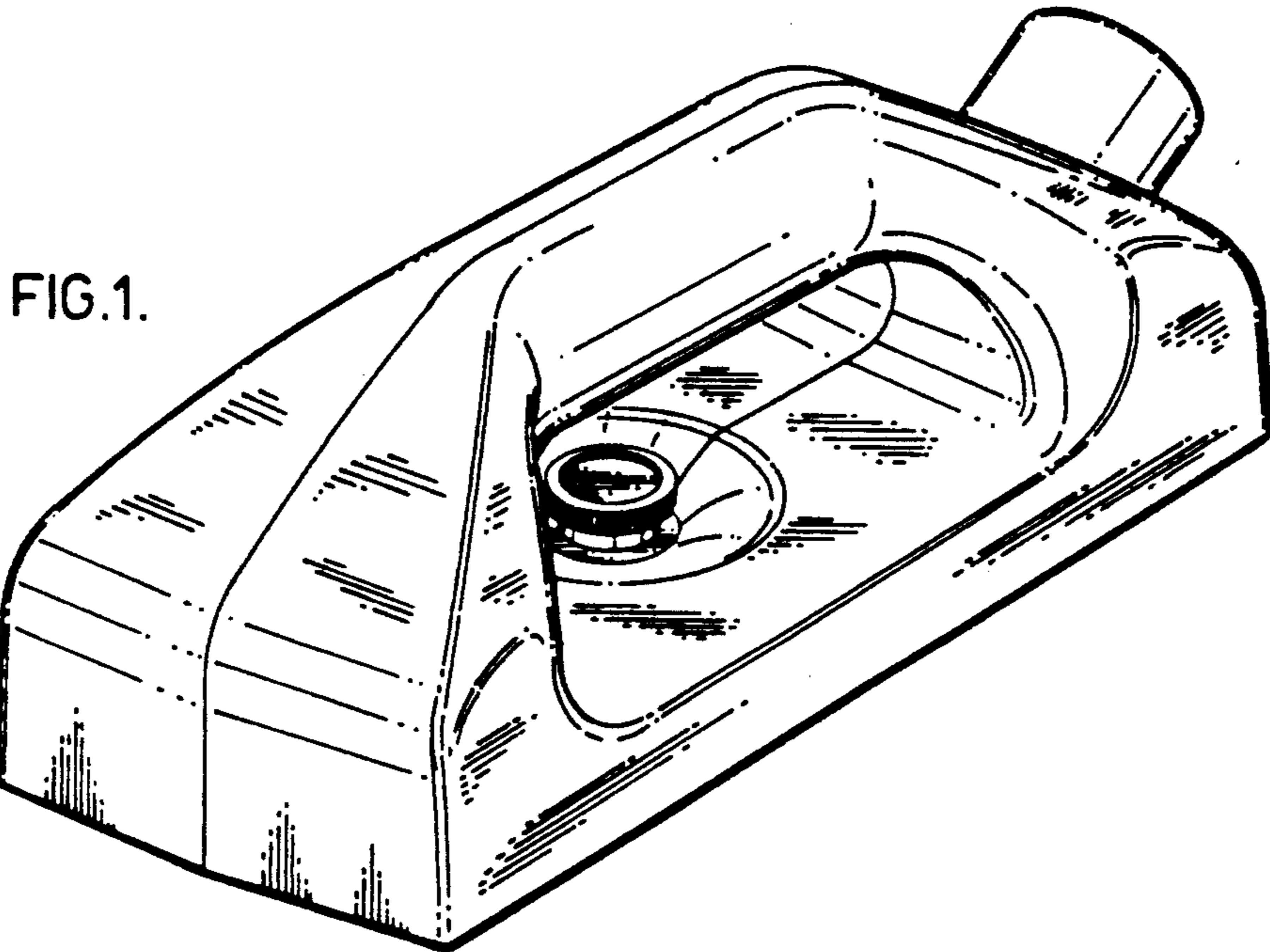
[57] CLAIM

The ornamental design for a manual sander, as shown and described.

DESCRIPTION

FIG. 1 is a perspective view of one side of the design; FIG. 2 is a side view of the design; FIG. 3 is a top plan view of the design; FIG. 4 is a bottom view of the design; FIG. 5 is a front view of the design; and, FIG. 6 is a rear view of the design.





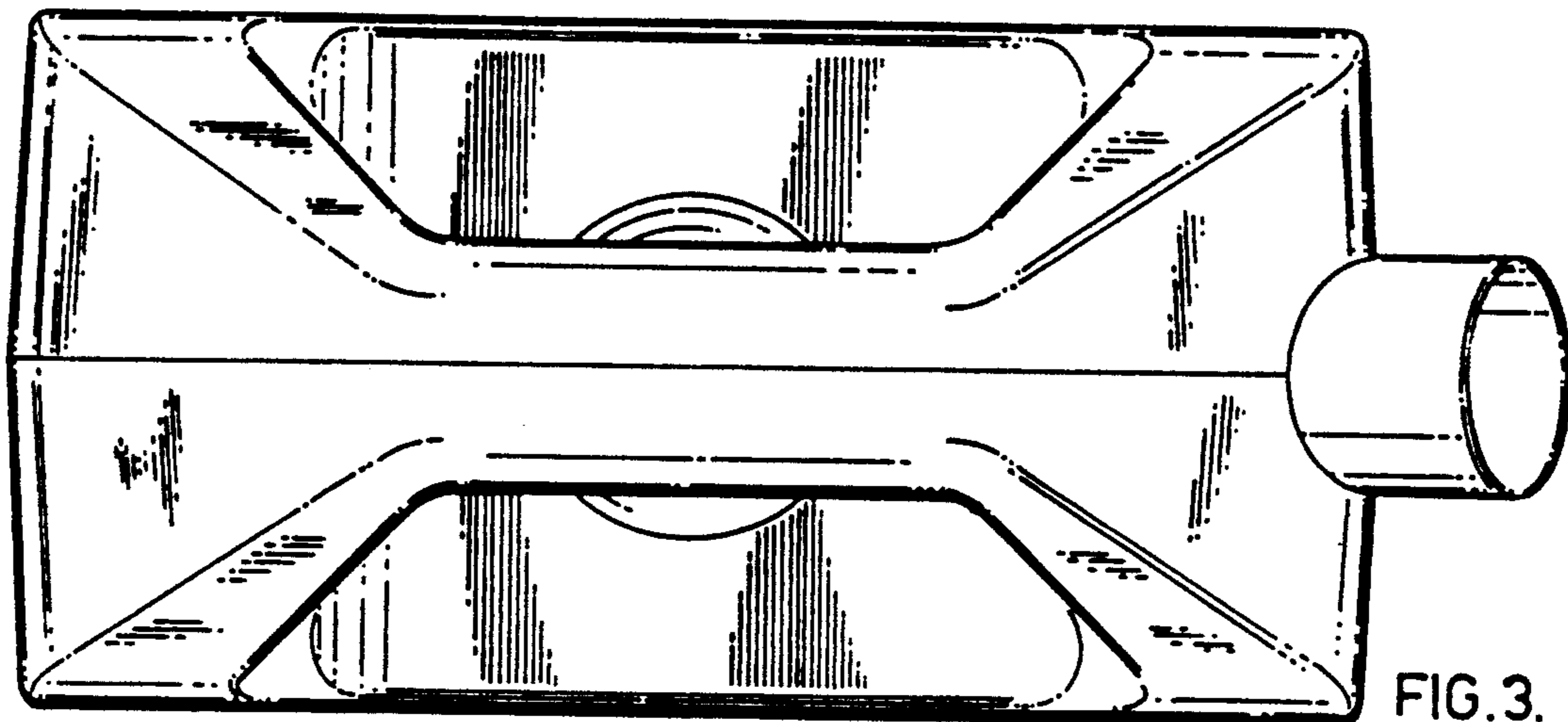


FIG. 3.

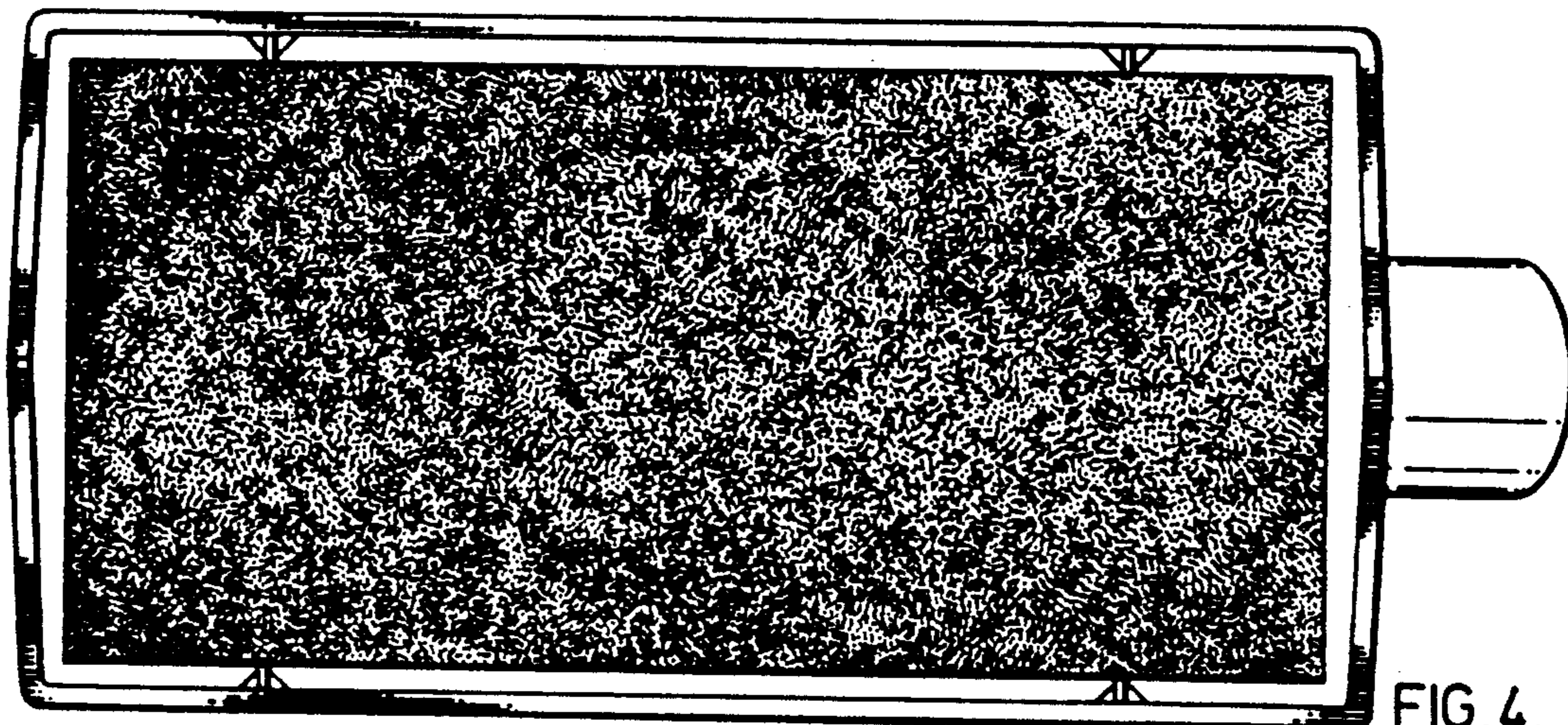


FIG. 4.

FIG. 5.

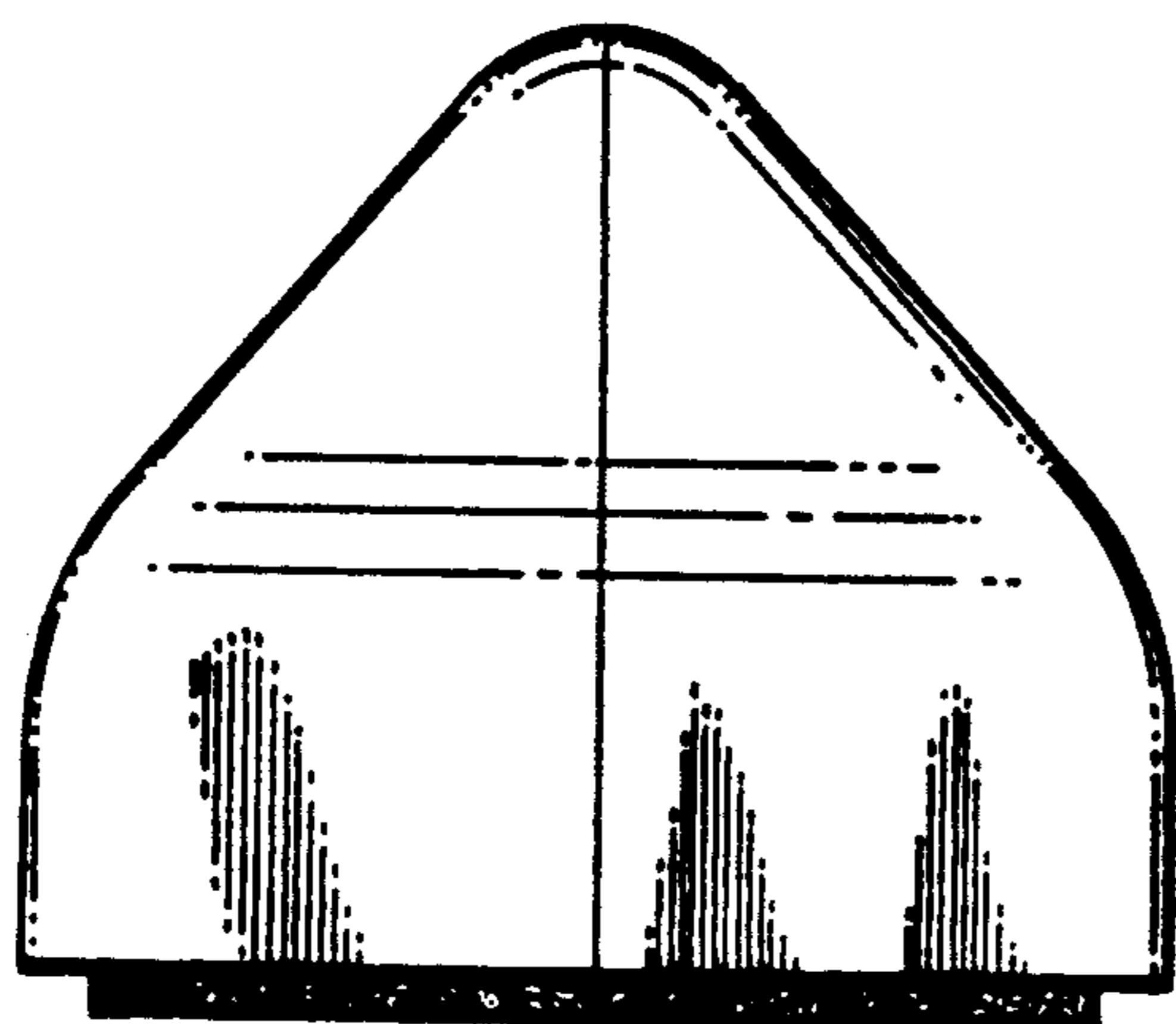


FIG. 6.

