



US00D344001S

United States Patent [19]

[11] Patent Number: **Des. 344,001**

Oxentenko

[45] Date of Patent: **** Feb. 8, 1994**

[54] **ADJUSTABLE DEPTH GAUGE FOR CHAIN SAWS**

[75] Inventor: **Paul F. Oxentenko, Scottsdale, Ariz.**

[73] Assignee: **S & O Marketing, Inc., Phoenix, Ariz.**

[**] Term: **14 Years**

[21] Appl. No.: **2,472**

[22] Filed: **Dec. 11, 1992**

[52] U.S. Cl. **D8/70**

[58] Field of Search **D8/61, 64-70; 30/371, 372, 381-385; 83/398; D15/138**

[56] **References Cited**

U.S. PATENT DOCUMENTS

D. 248,727	8/1978	Sperber	D8/70
D. 273,934	5/1984	Servicky	D8/70
D. 323,773	2/1992	Allen	D8/70
3,864,830	2/1975	Haddon	D8/70
4,317,285	3/1982	Graham	30/371
4,833,781	5/1989	Allen	30/377

Primary Examiner—Alan P. Douglas
Assistant Examiner—J. H. Musgrove
Attorney, Agent, or Firm—Warren F. B. Lindsley

[57] **CLAIM**

The ornamental design for an adjustable depth gauge for chain saws, as shown and described.

DESCRIPTION

FIG. 1 is a perspective view of the top, front and left end view of an adjustable depth gauge for chain saws and embodying the invention;

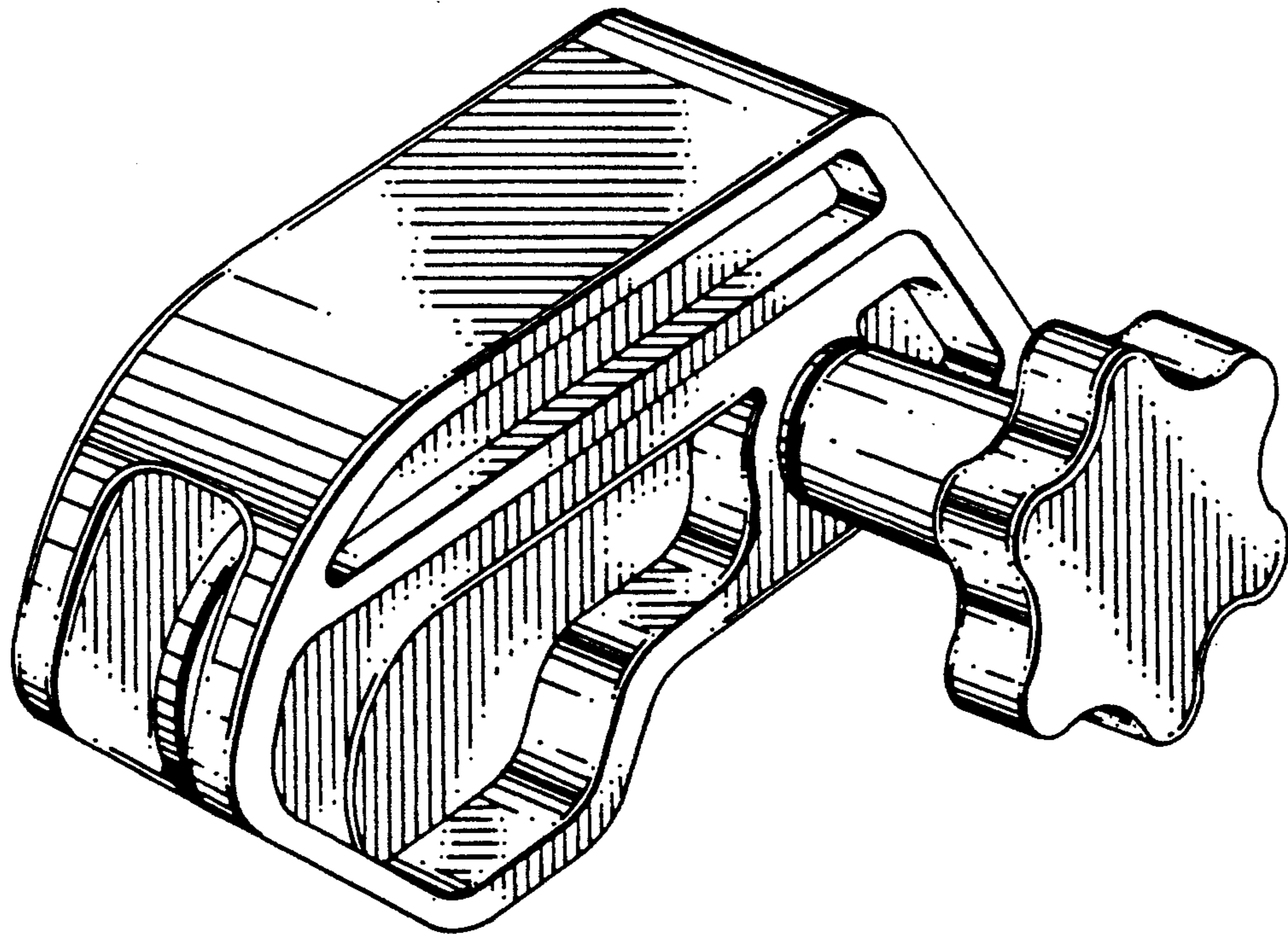
FIG. 2 is a back view of the depth gauge shown in FIG. 1;

FIG. 3 is a bottom view of the depth gauge shown in FIG. 1;

FIG. 4 is a top view of the depth gauge shown in FIG. 1;

FIG. 5 is a right end view of the depth gauge shown in FIG. 1; and,

FIG. 6 is a left end view of the depth gauge shown in FIG. 1.



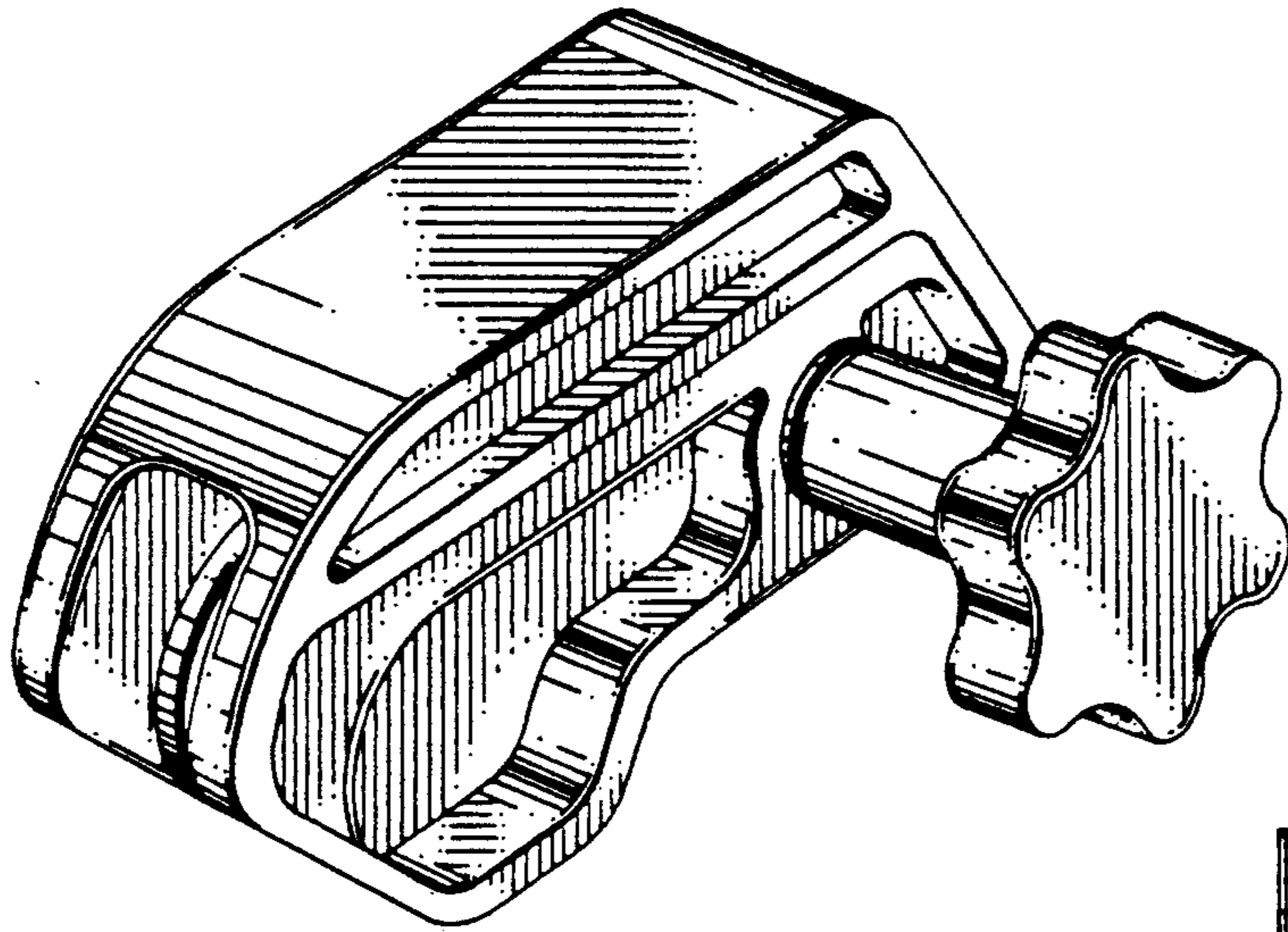


FIG. 1

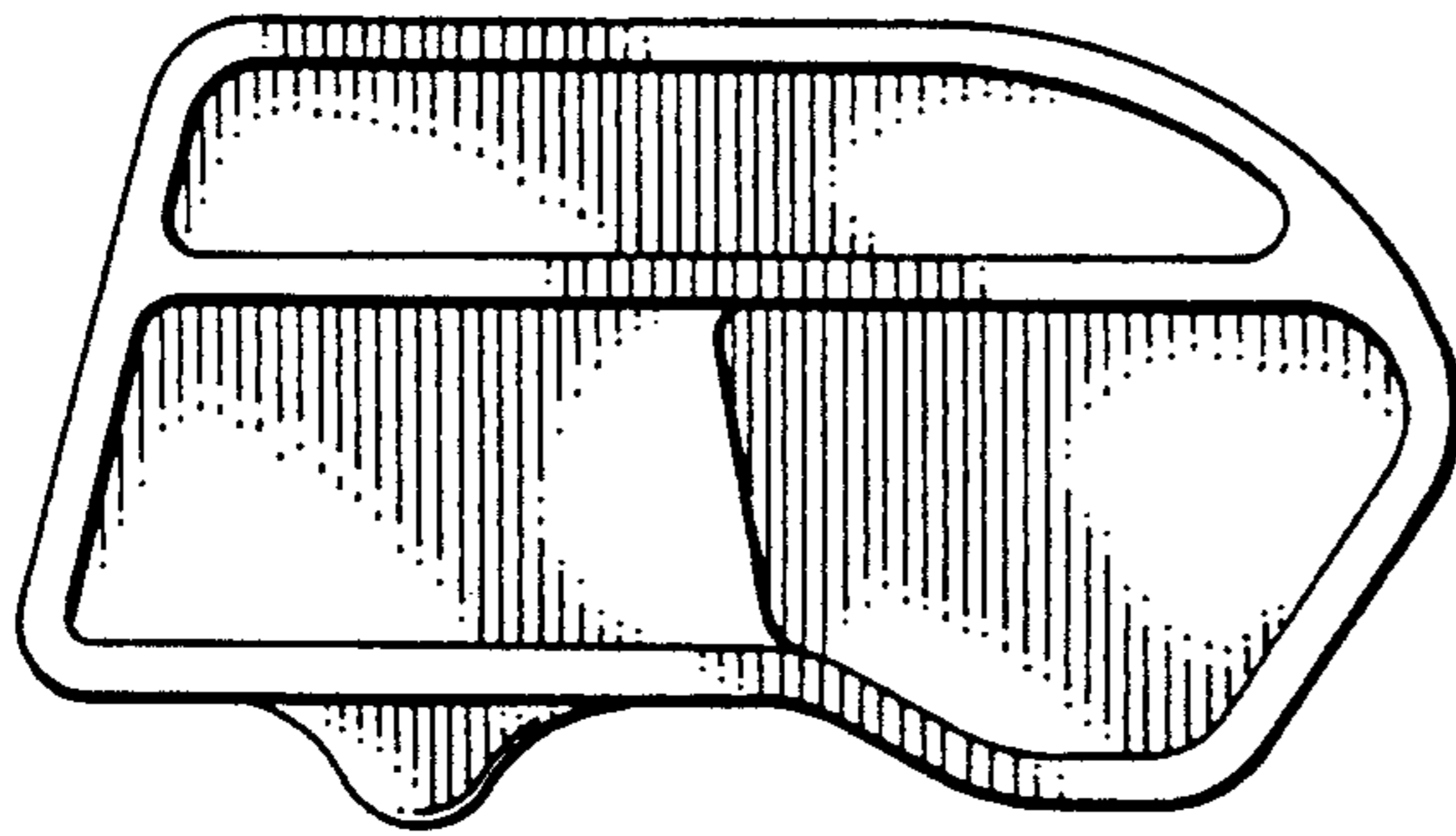


FIG. 2

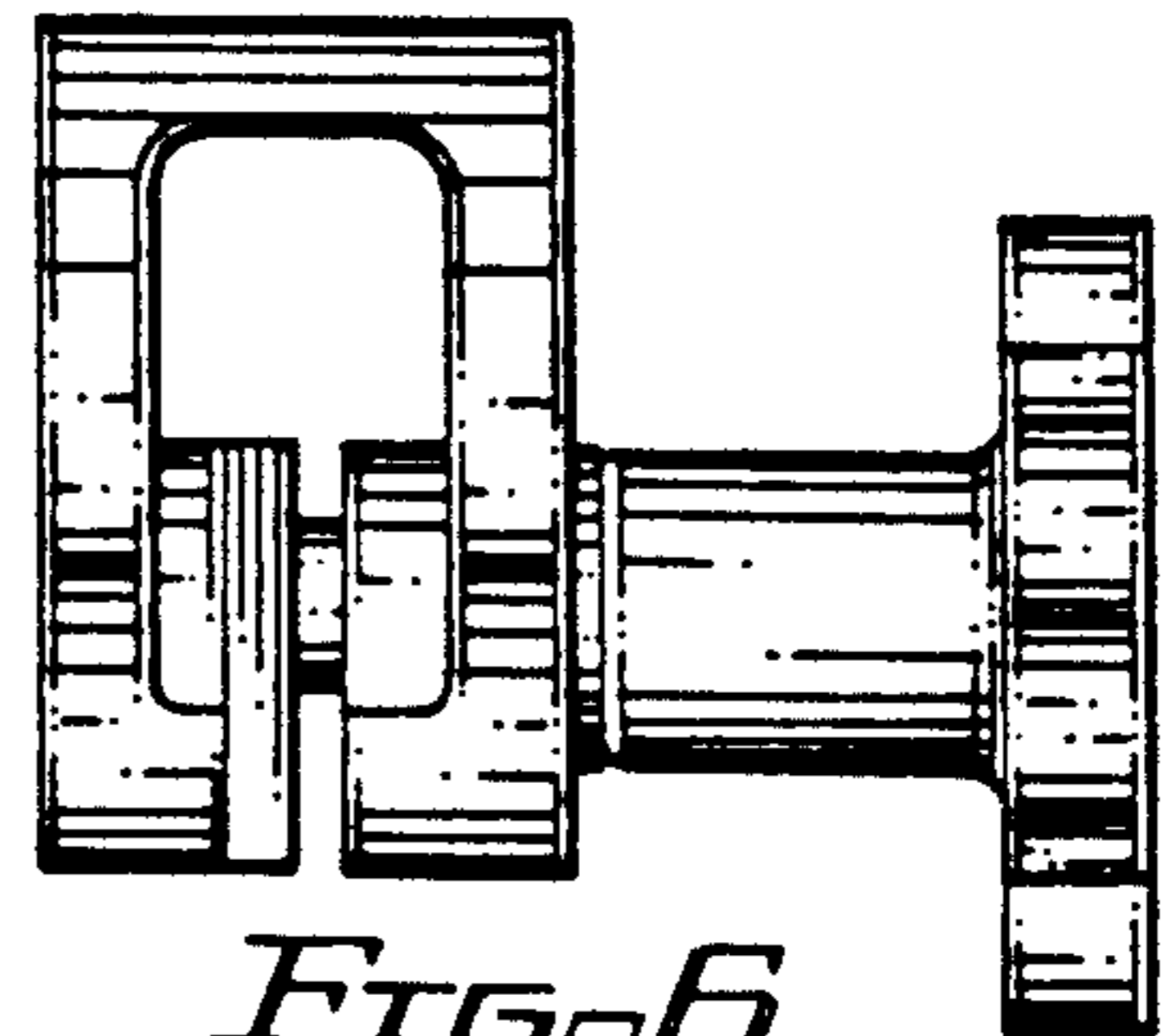


FIG. 6

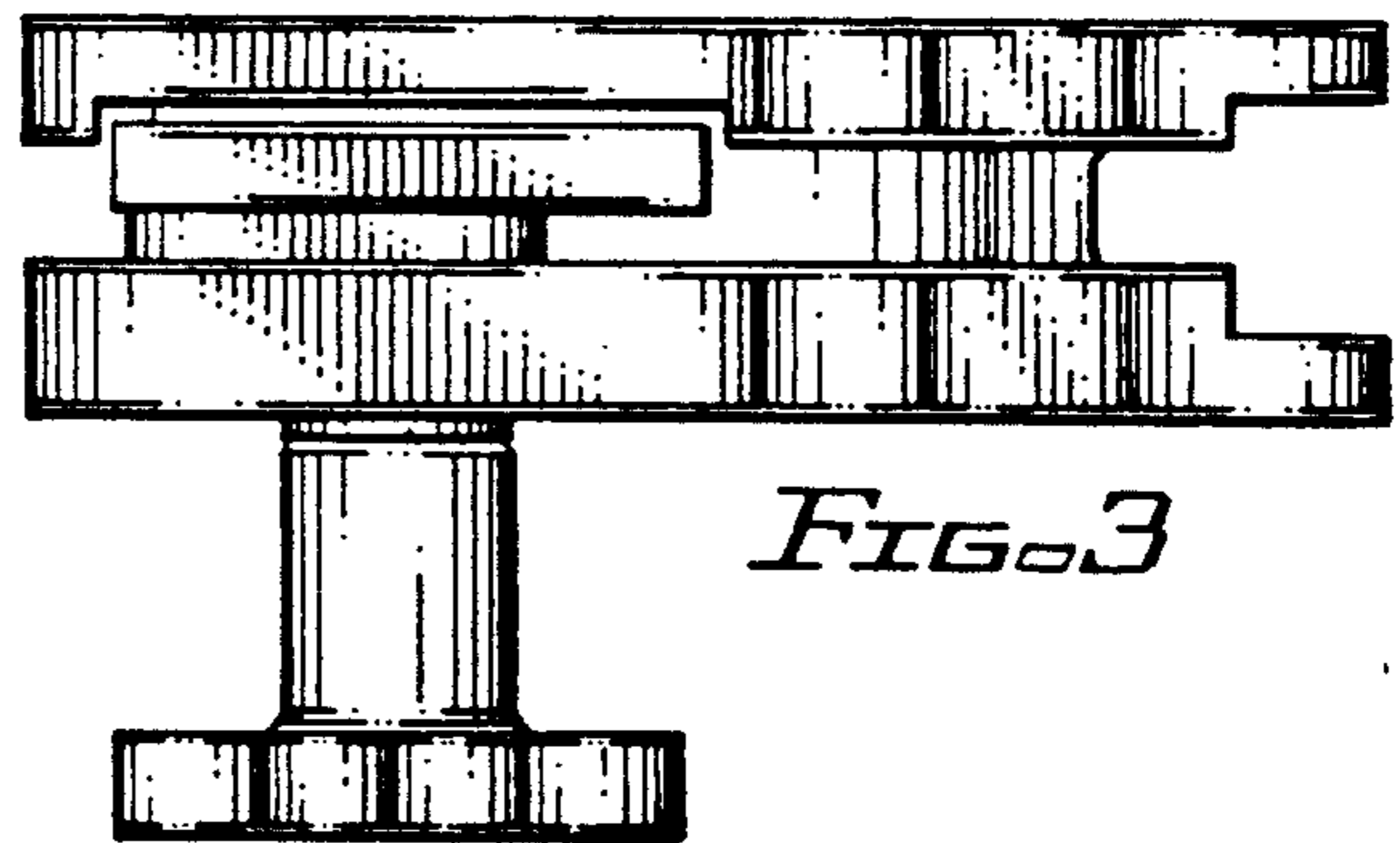


FIG. 3

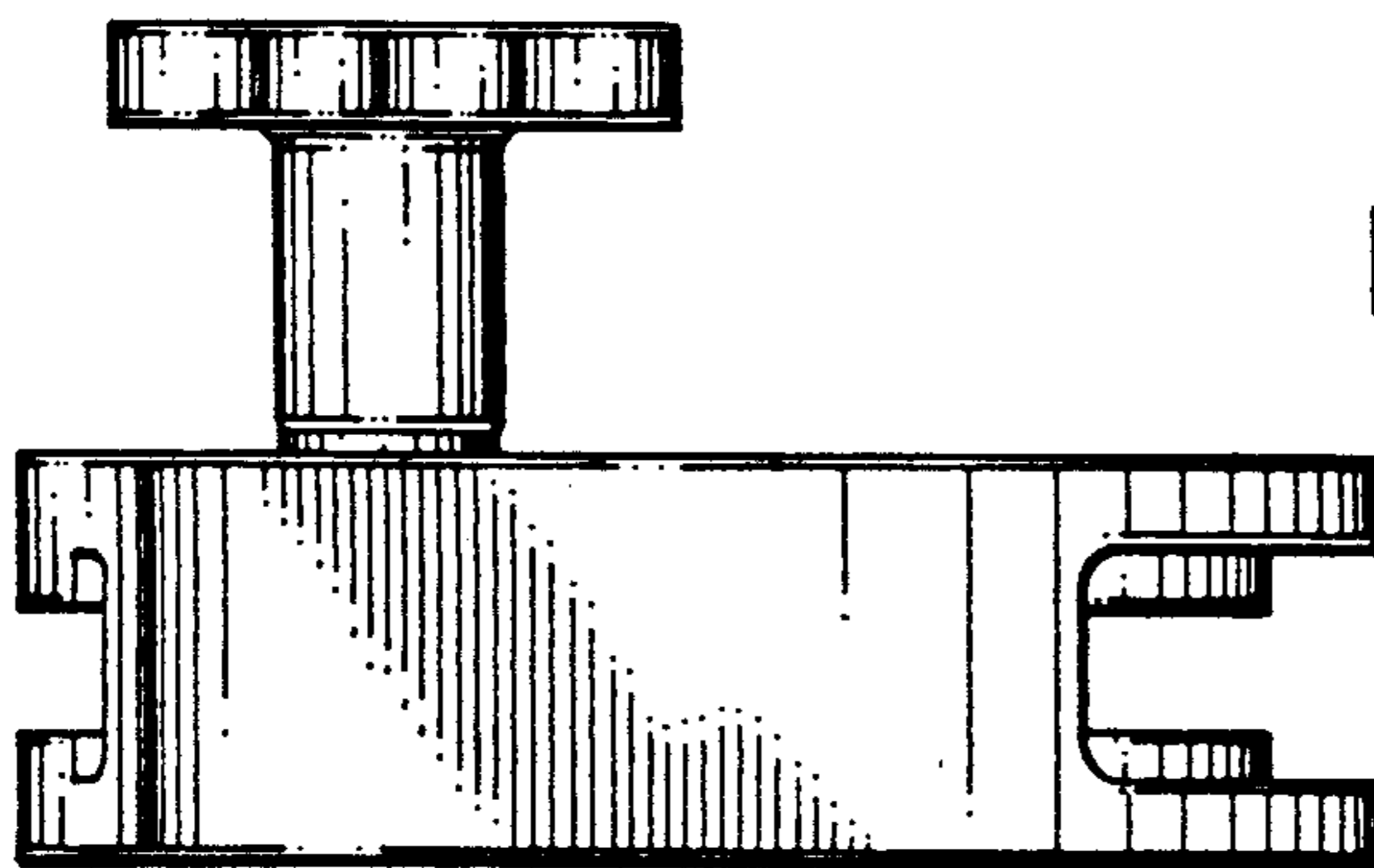


FIG. 4

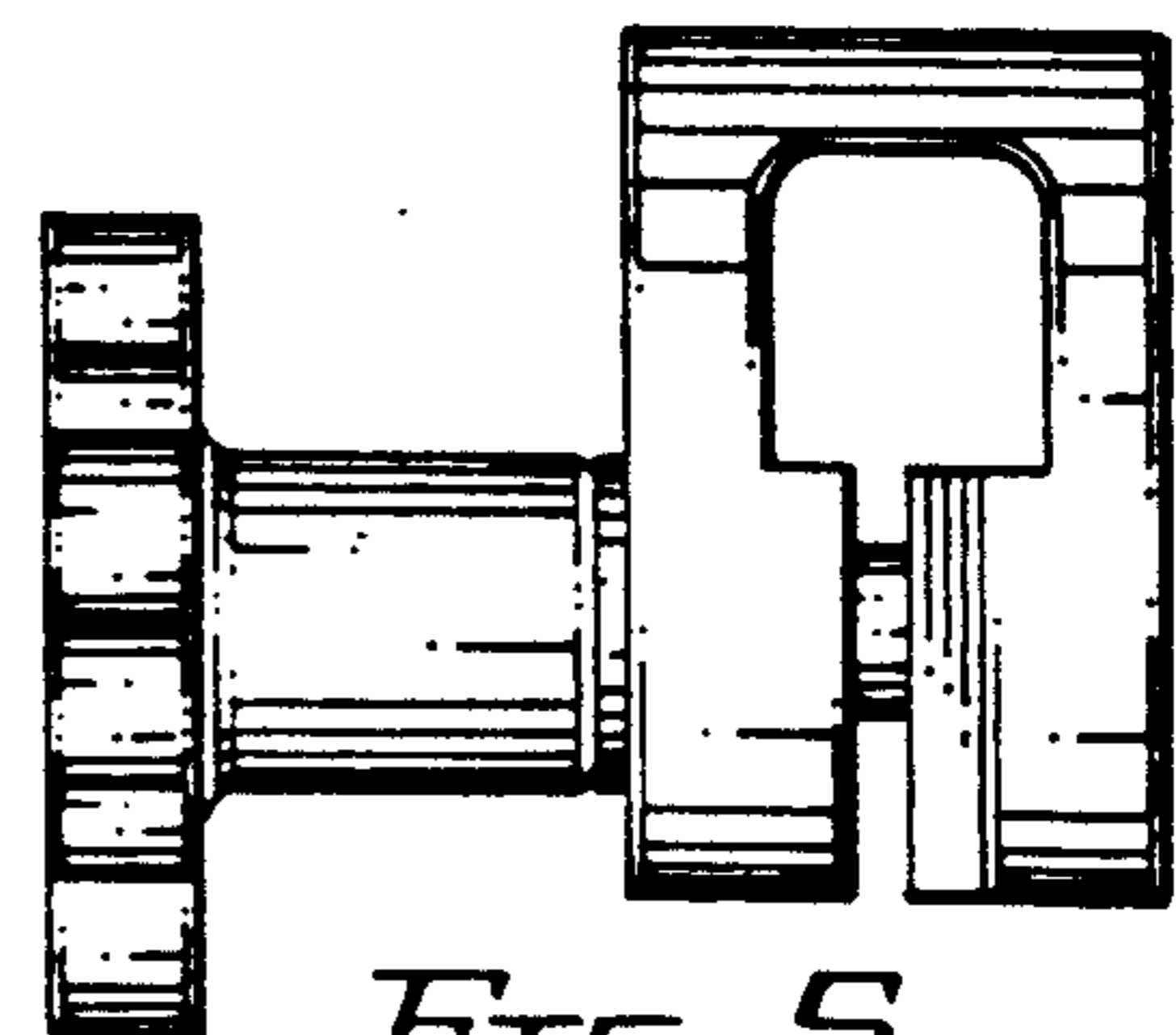


FIG. 5