



US00D343998S

United States Patent [19]

[11] Patent Number: **Des. 343,998**

Griggs

[45] Date of Patent: **** Feb. 8, 1994**

[54] CONCRETE FINISHING TOOL BRACKET

[76] Inventor: **Paul E. Griggs**, 1716 N. Sabin,
Wichita, Kans. 67212

[**] Term: **14 Years**

[21] Appl. No.: **772,034**

[22] Filed: **Oct. 7, 1991**

[52] U.S. Cl. **D8/45**

[58] Field of Search **D8/45; 15/235.3-235.7**

OTHER PUBLICATIONS

Goldblatt Trowel Trades Tools 1981 Cat.: p. 7 right center flip flop edger; p. 9 lower left-long handle walking cali groover.

Primary Examiner—Bernard Ansher

Assistant Examiner—C. Tuttle

Attorney, Agent, or Firm—Edward L. Brown, Jr.

[57] CLAIM

The ornamental design for a concrete finishing tool bracket, as shown.

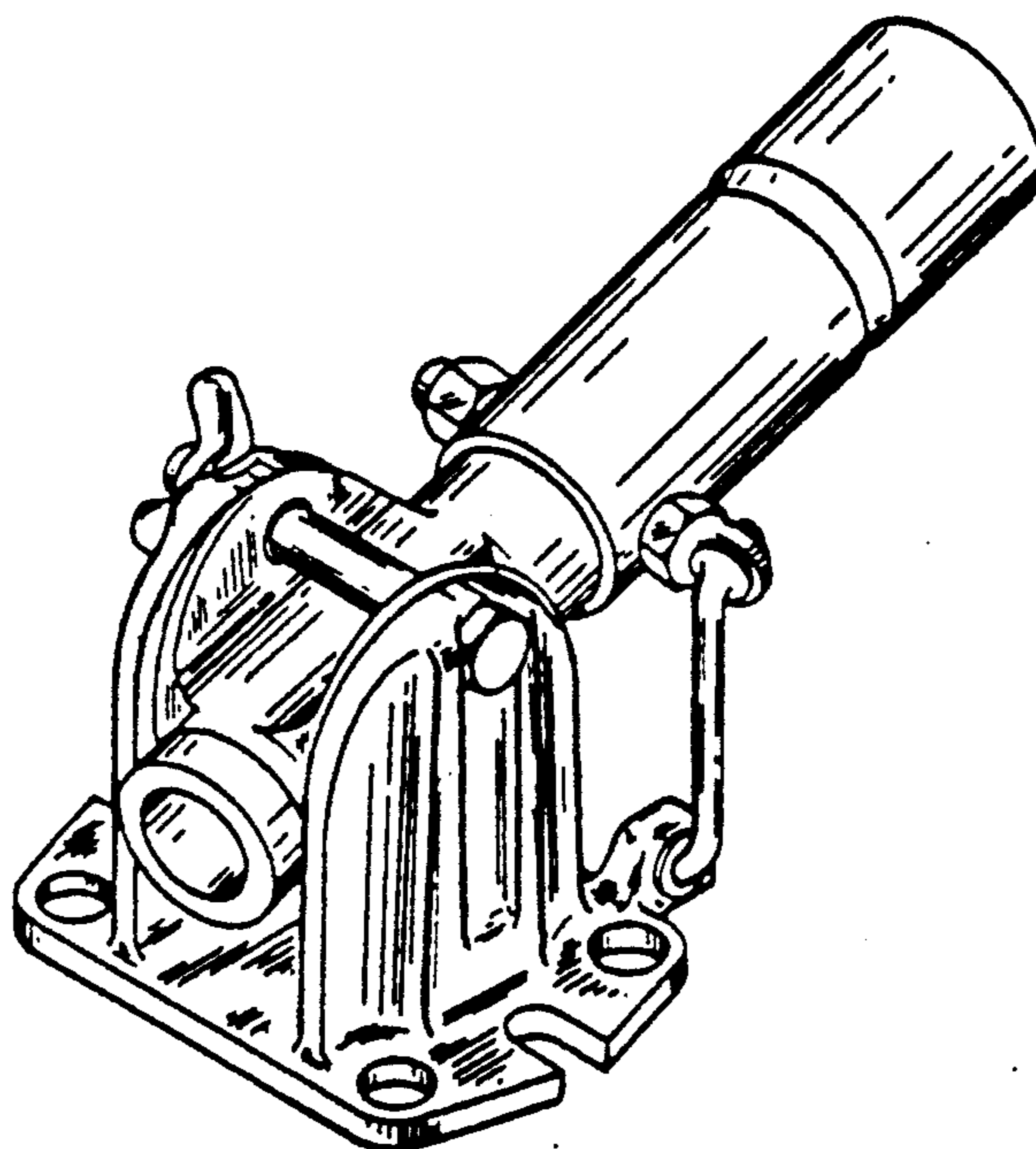
[56] References Cited

U.S. PATENT DOCUMENTS

3,237,235	3/1966	Moody	15/235.3
4,155,141	5/1979	Guerra	15/235.3 X
4,397,581	8/1983	Jarvis	D8/45 X
4,663,796	5/1987	Helling et al.	15/235.4 X
4,723,869	2/1988	Dragich	15/235.4 X
5,115,536	5/1992	Jarvis	15/235.4 X
5,160,748	11/1992	Gauuan	15/235.4 X

DESCRIPTION

FIG. 1 is a perspective view from the right top side of the concrete finishing tool bracket; FIG. 2 is a left side elevation view; FIG. 3 is a rear elevation view; FIG. 4 is a top plan view; FIG. 5 is a bottom view; and, FIG. 6 is a front elevation view of the concrete finishing tool bracket.



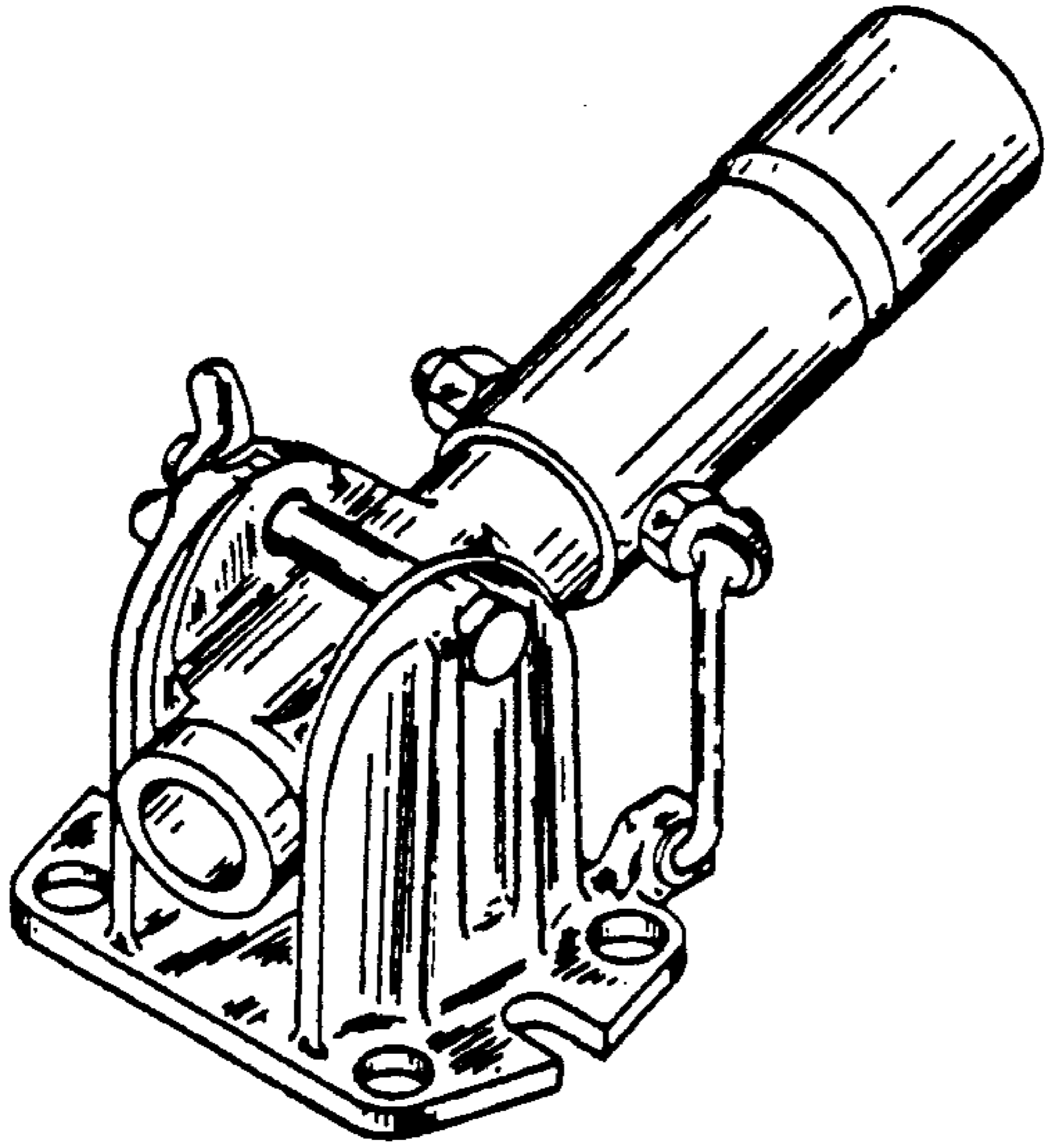


FIG 1

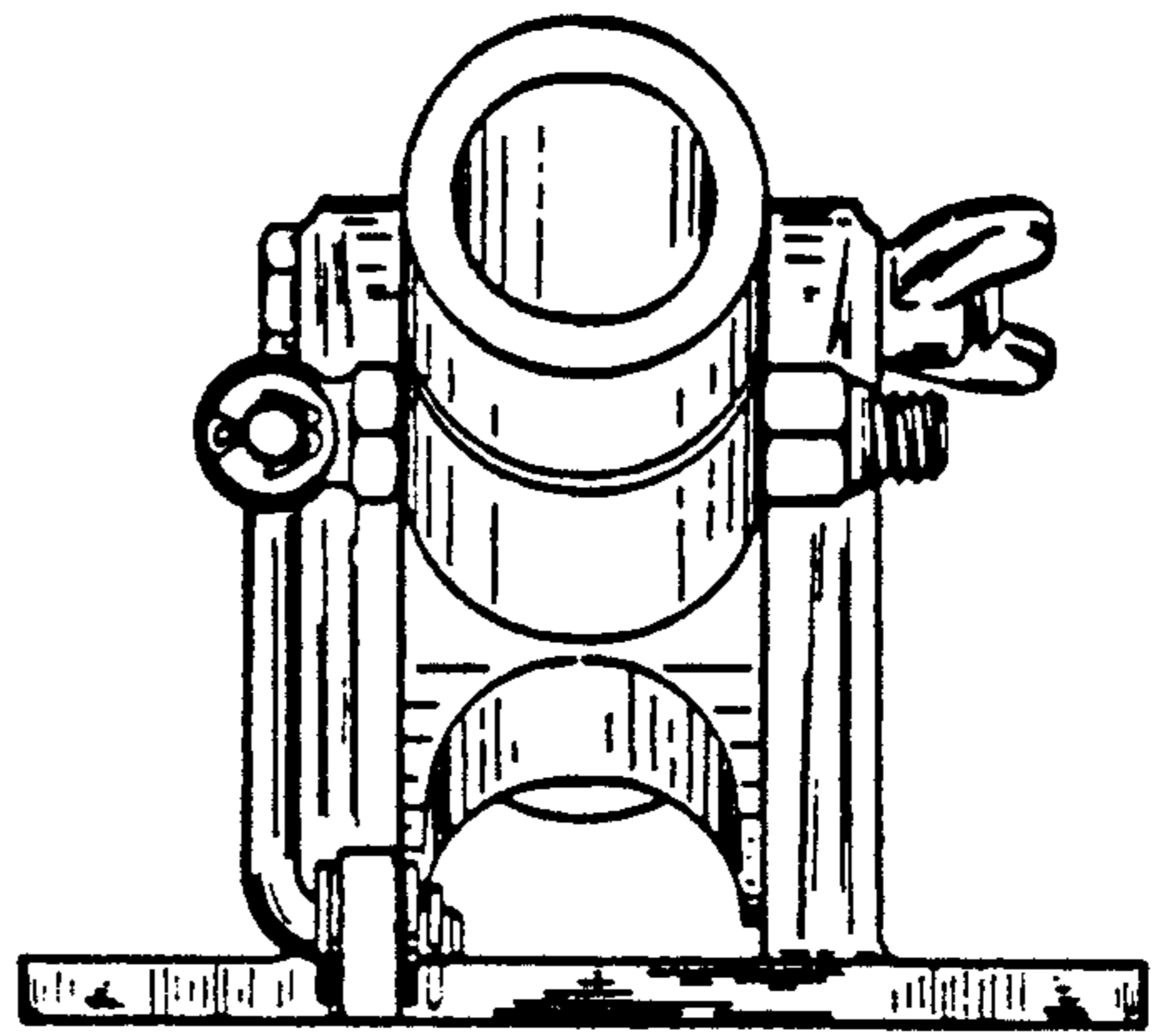


FIG 3

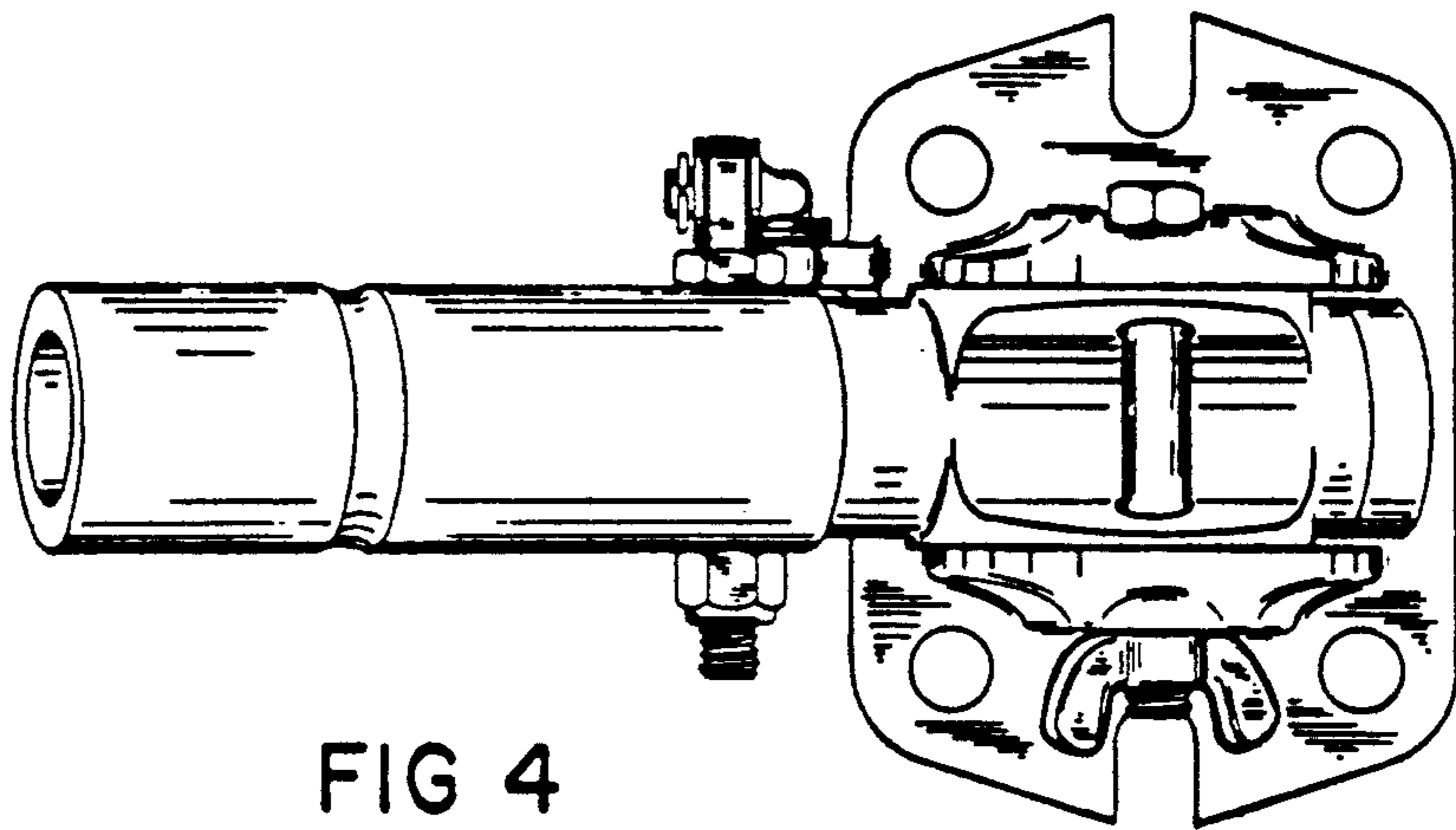


FIG 4

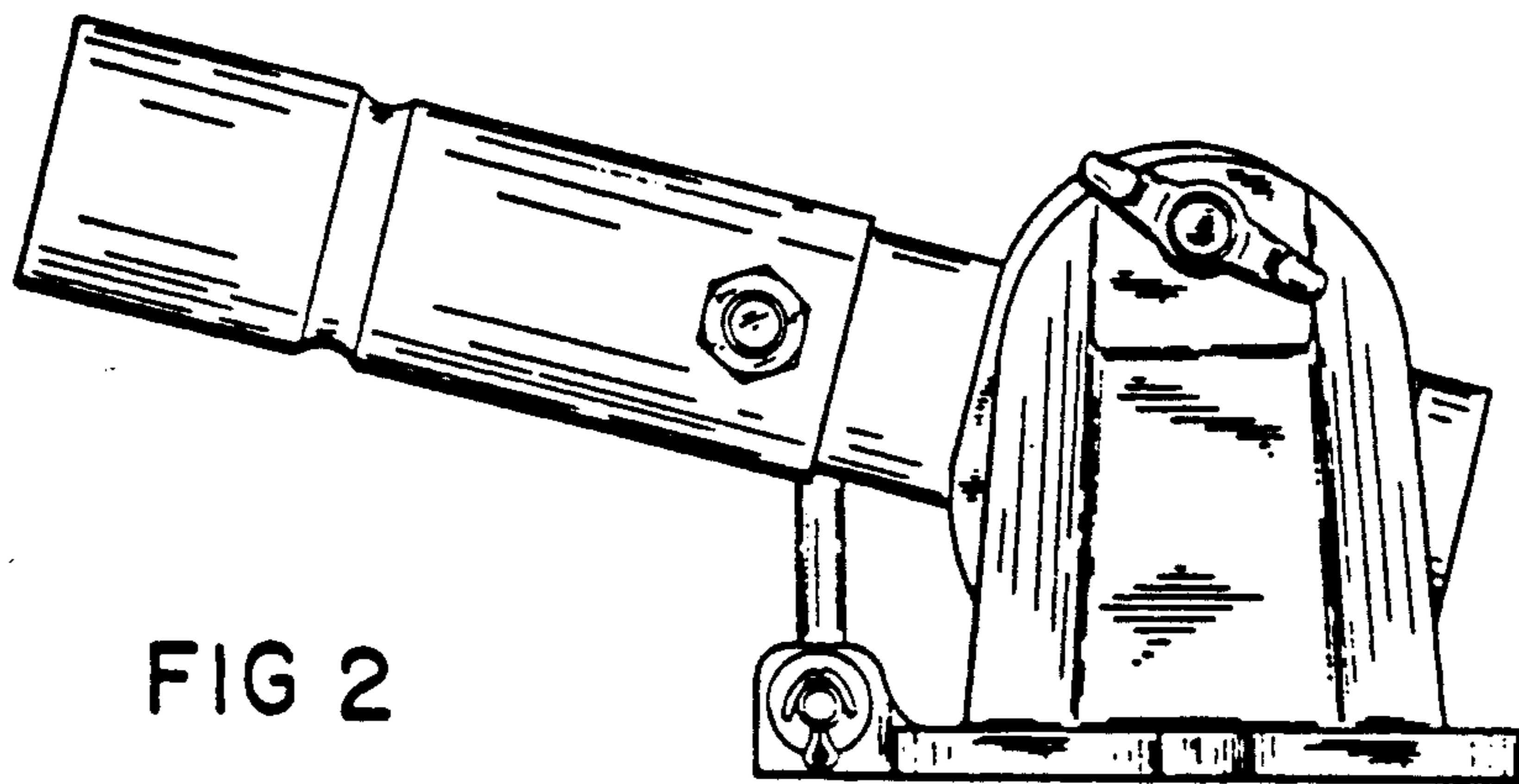


FIG 2

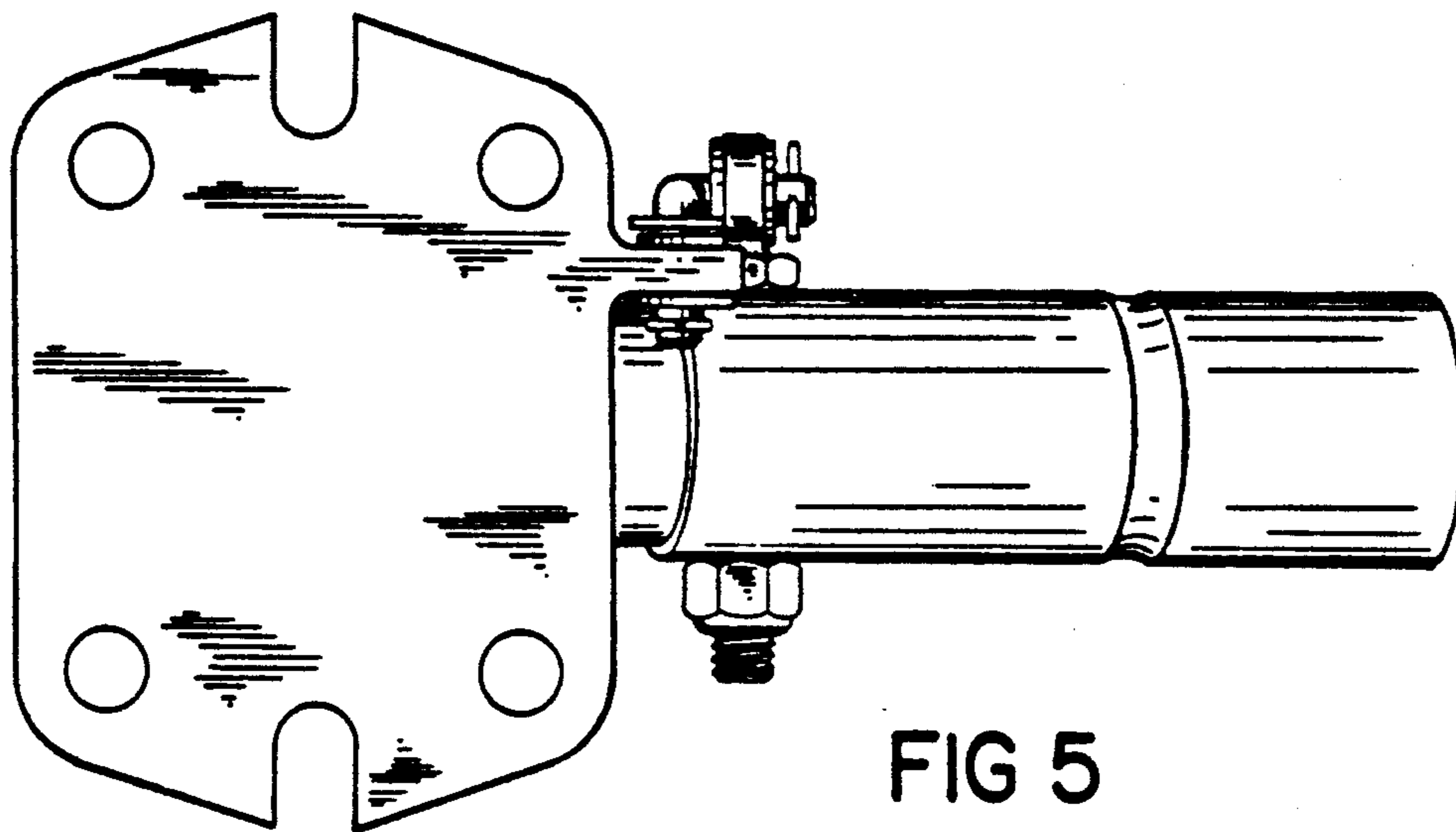


FIG 5

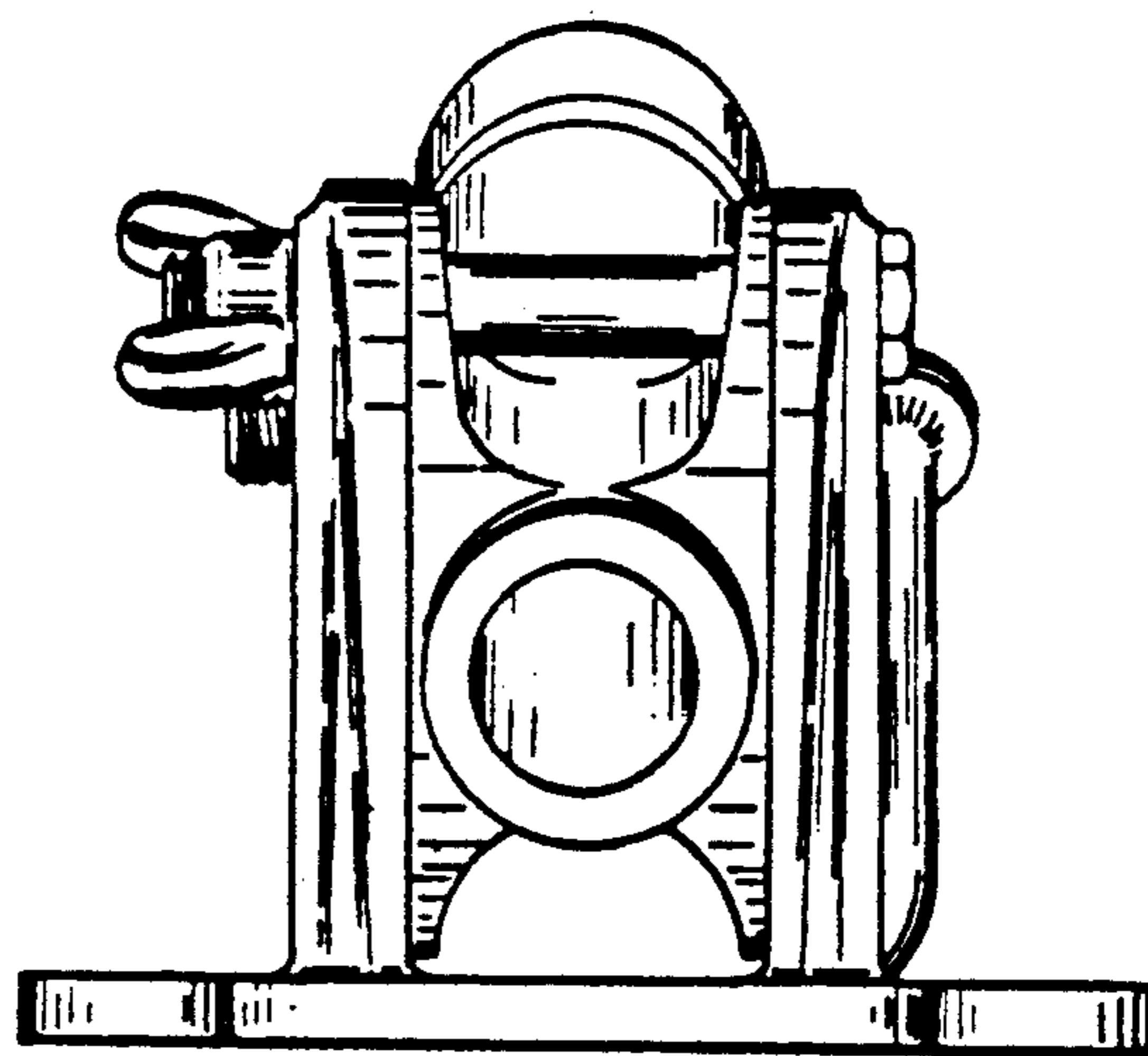


FIG 6