



US00D343995S

United States Patent [19]

[11] Patent Number: **Des. 343,995**

Djelmane

[45] Date of Patent: **** Feb. 8, 1994**

[54] TUNA CAN PRESS

888,738 5/1908 Proctor 30/120.4
4,355,574 10/1982 Bond et al. D7/666 X

[76] Inventor: **Roxanne Djelmane**, 38630 Palm Pl.,
Palmdale, Calif. 93552

Primary Examiner—Terry A. Wallace
Attorney, Agent, or Firm—Roger A. Marrs

[**] Term: **14 Years**

[57] **CLAIM**

[21] Appl. No.: **892,518**

The ornamental design for tuna can press, as shown.

[22] Filed: **Jun. 3, 1992**

DESCRIPTION

[52] U.S. Cl. **D7/666**

FIG. 1 is a side elevational view showing my new de-
sign for a tuna can press;

[58] Field of Search D7/665, 666, 686-687;
100/104, 125, 234, 243; 294/12, 16, 28-29, 32

FIG. 2 is a top plan view thereof;

[56] **References Cited**

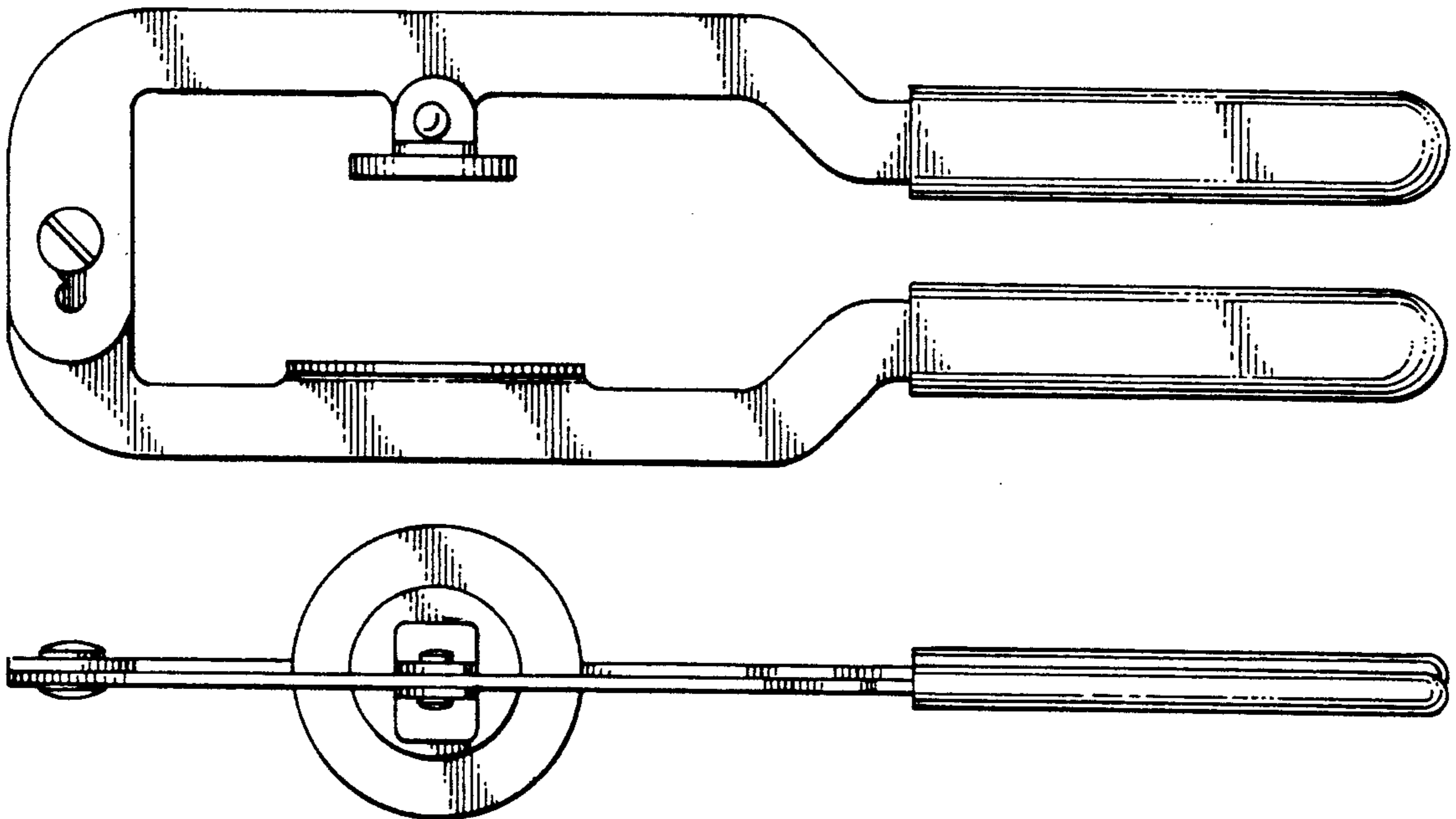
FIG. 3 is a side elevational view taken from the opposite
side from that shown in FIG. 1;

U.S. PATENT DOCUMENTS

FIG. 4 is a front elevational view thereof; and,

D. 330,313 10/1992 Green D7/666

FIG. 5 is a rear elevational view thereof.



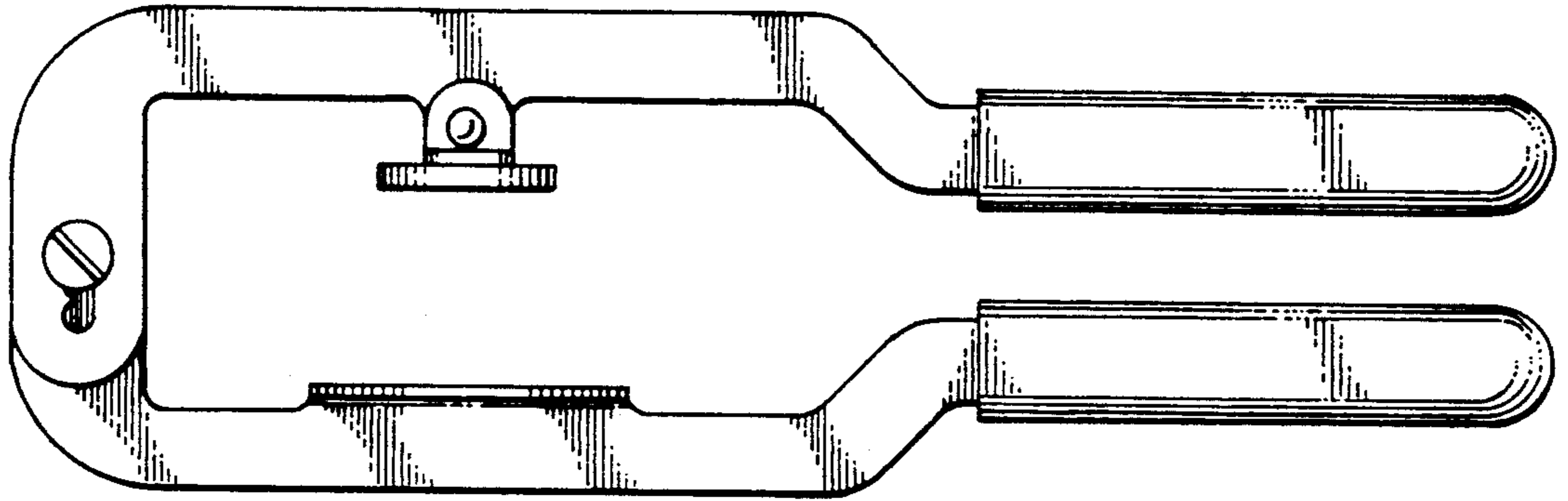


FIG. 1.

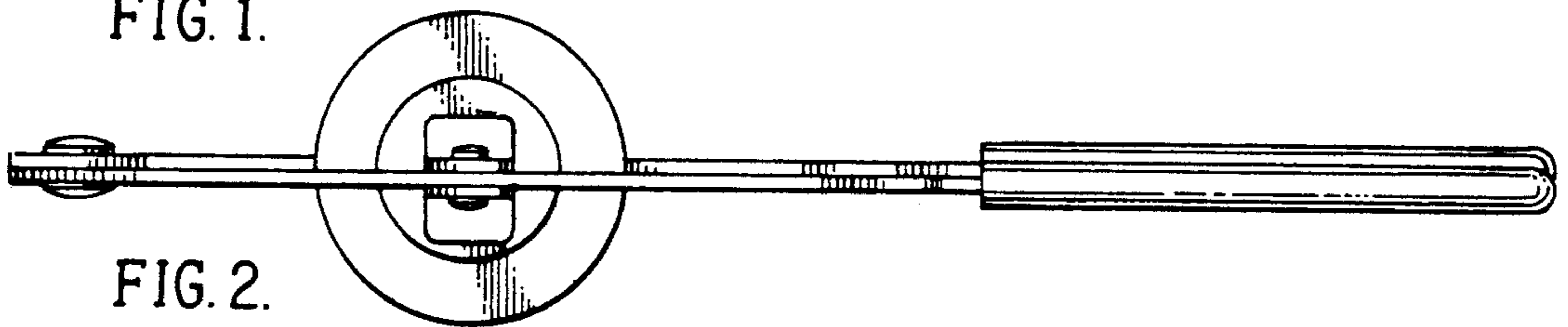


FIG. 2.

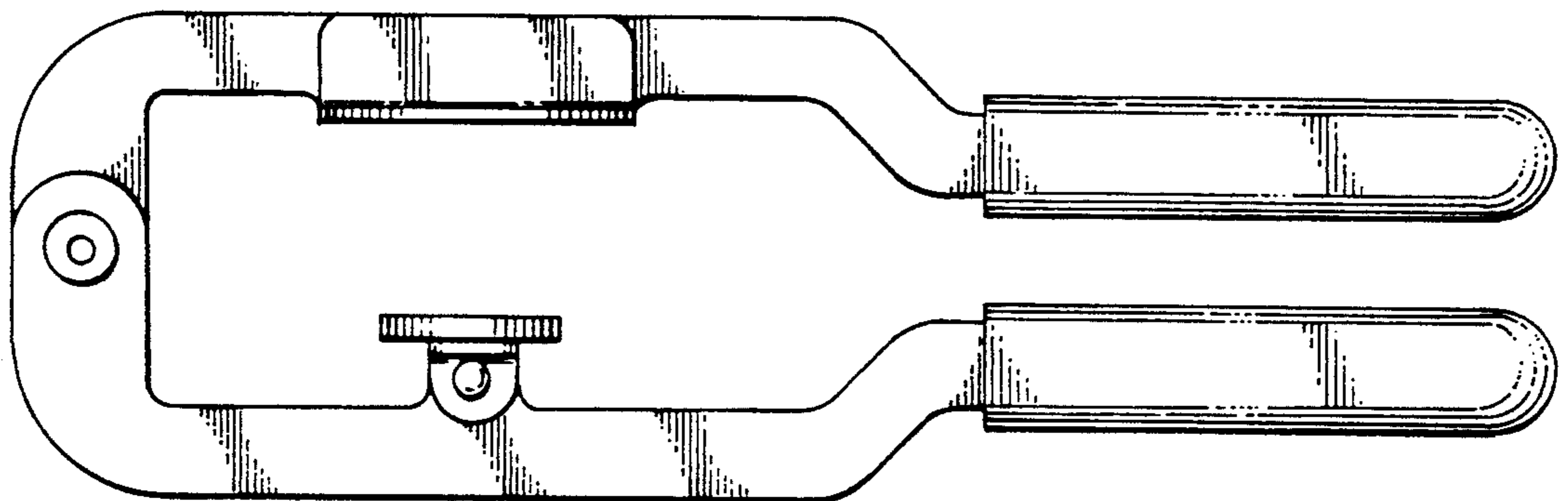


FIG. 3.

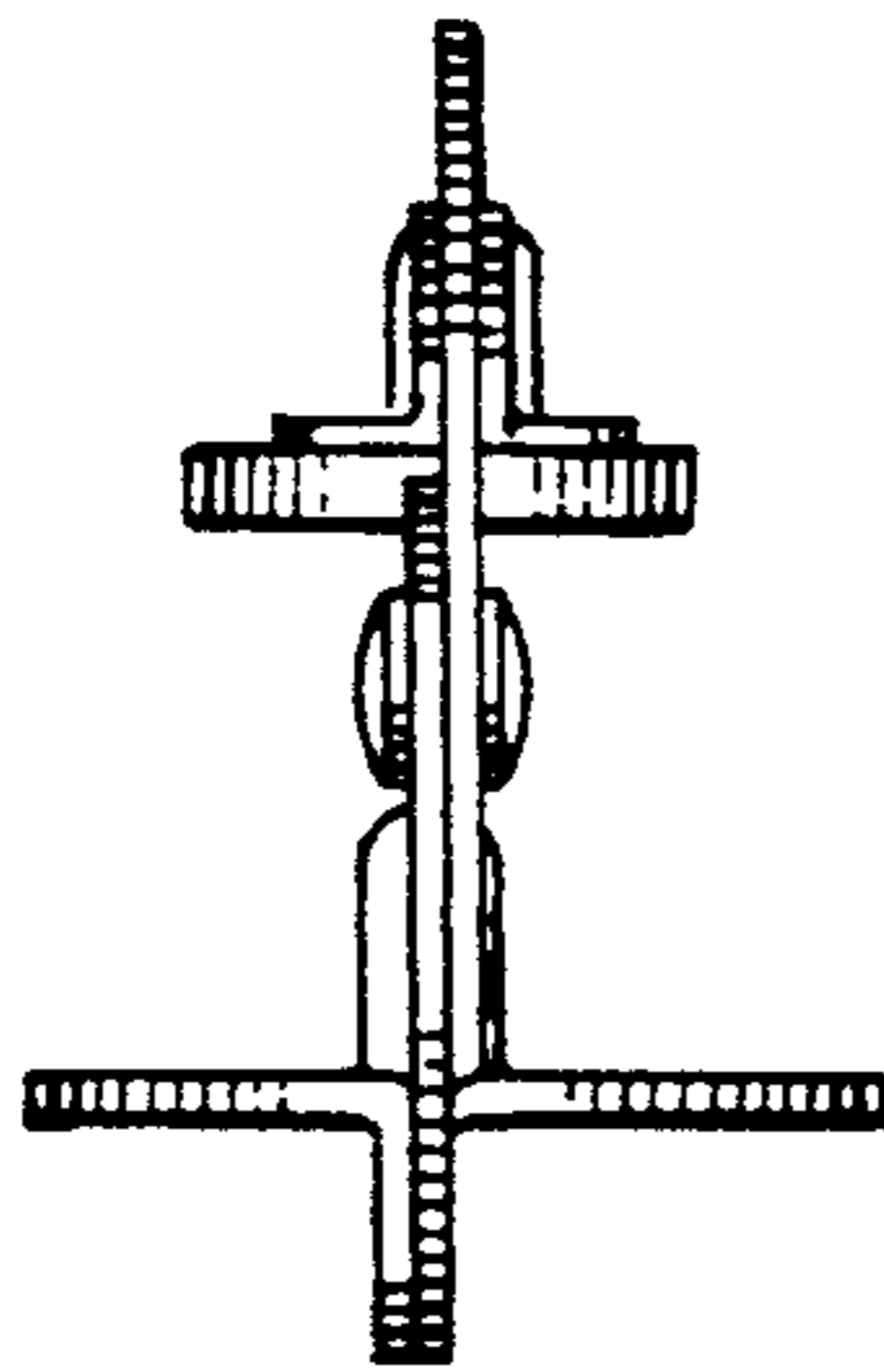


FIG. 4.

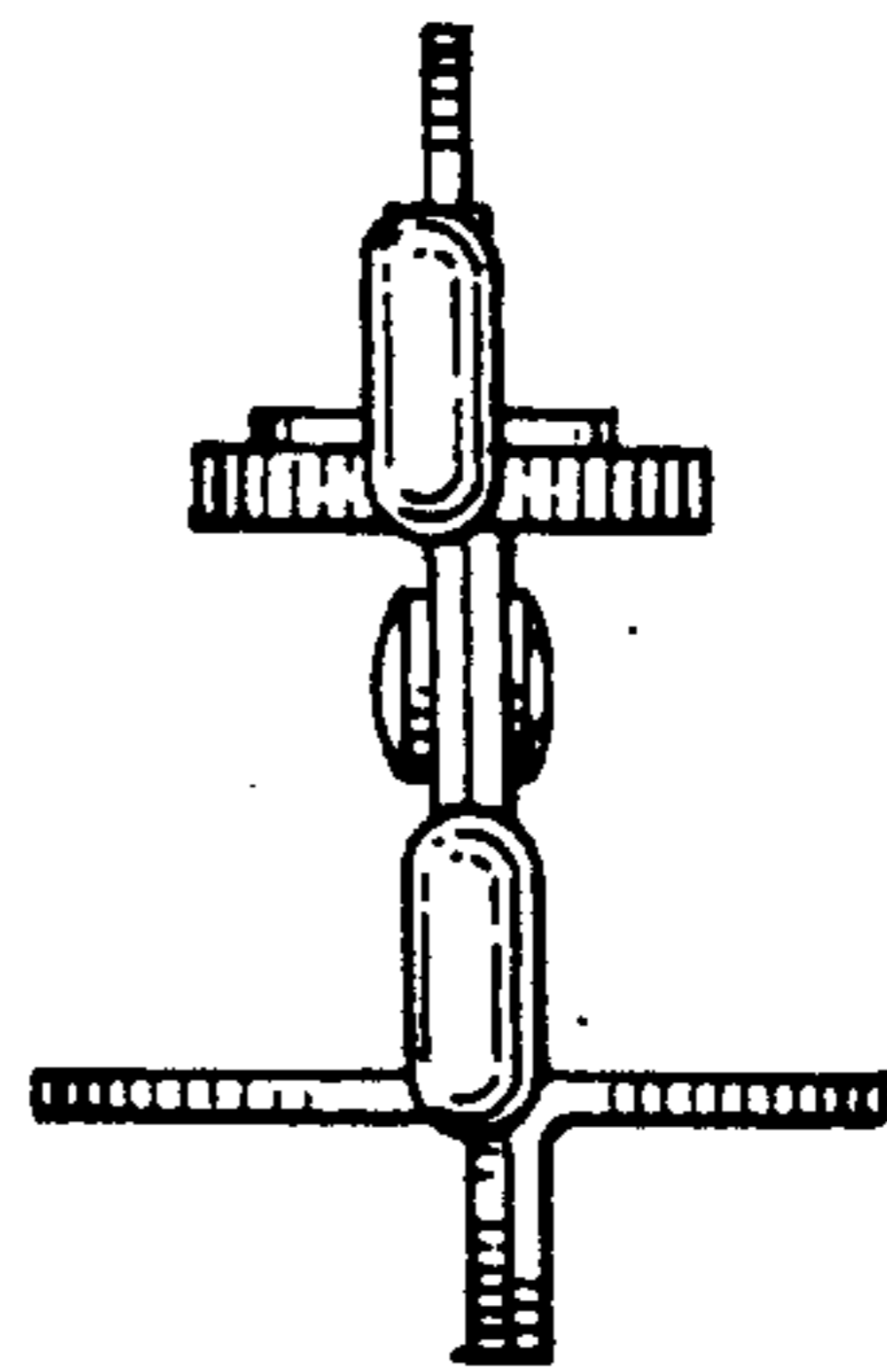


FIG. 5.