



US00D343991S

United States Patent [19]

[11] Patent Number: **Des. 343,991**

Schaeppi

[45] Date of Patent: **** Feb. 8, 1994**

[54] **BEVERAGE MUG**

[76] Inventor: **Thomas J. Schaeppi**, 5650 Juneau La.
North, Plymouth, Minn. 55446

[*] Notice: The portion of the term of this patent
subsequent to Sep. 7, 2007 has been
disclaimed.

[**] Term: **14 Years**

[21] Appl. No.: **895,400**

[22] Filed: **Jun. 9, 1992**

Related U.S. Application Data

[63] Continuation-in-part of Ser. No. 822,566, Jan. 16, 1992,
Pat. No. Des. 339,029.

[52] U.S. Cl. **D7/536; D7/533**

[58] Field of Search **D7/509, 507, 510, 511,
D7/512, 518, 521, 533, 536, 300, 598, 312, 316,
317, 534, 535, 528, 531; 220/672, 401, 755, 769,
771, 737, 719; 215/12.1**

[56] **References Cited**

U.S. PATENT DOCUMENTS

D. 247,839 5/1978 Ashton D7/536
D. 294,100 2/1988 Ross D7/511

D. 314,309 2/1971 Thorp D7/531 X
D. 330,484 10/1992 Ross D7/533
695,093 3/1902 Crampton 220/771 X
1,118,794 11/1914 O'Mara 220/771 X
1,179,856 4/1916 McLeod 220/769
3,101,857 8/1963 Freedman 220/737 X
4,184,603 1/1980 Hamilton, Sr. 220/719
4,276,992 7/1981 Susich D7/510
4,923,086 5/1990 Mahon et al. 220/401

OTHER PUBLICATIONS

Don Schreckengost's "Classic" cut (1980), Industrial
Design May/Jun. 1985, p. 25.

Primary Examiner—Nelson C. Holtje

Assistant Examiner—M. N. Pandozzi

Attorney, Agent, or Firm—Palmatier, Sjogvist & Helget

[57] **CLAIM**

The ornamental design for a beverage mug, as shown.

DESCRIPTION

FIG. 1 is a perspective view of the beverage mug inven-
tion;

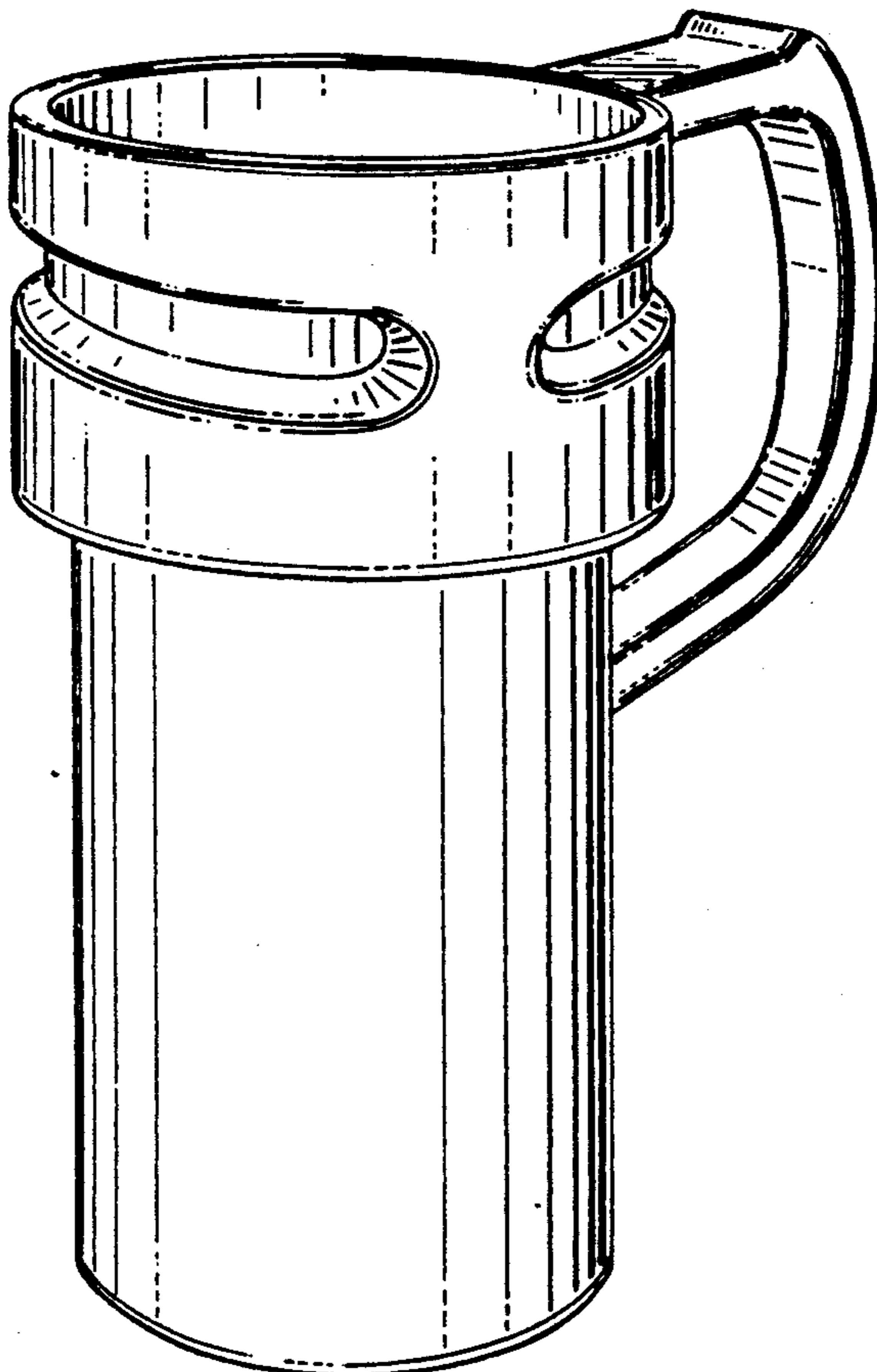
FIG. 2 is a front elevational view of the mug;

FIG. 3 is a right side elevational view of the mug;

FIG. 4 is a left side elevational view of the mug;

FIG. 5 is a top plan view of the mug; and,

FIG. 6 is a bottom view of the mug.



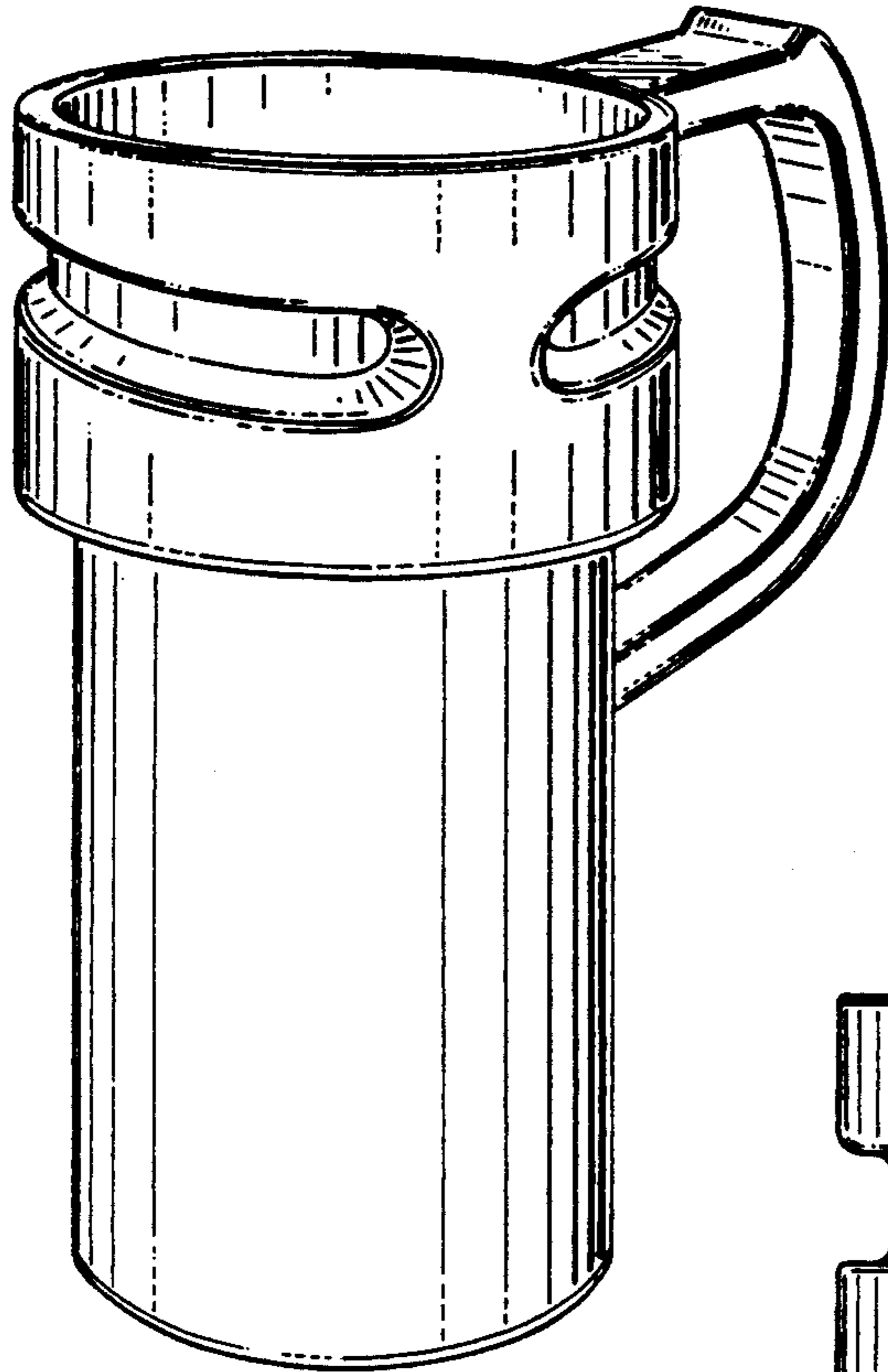


Fig 1

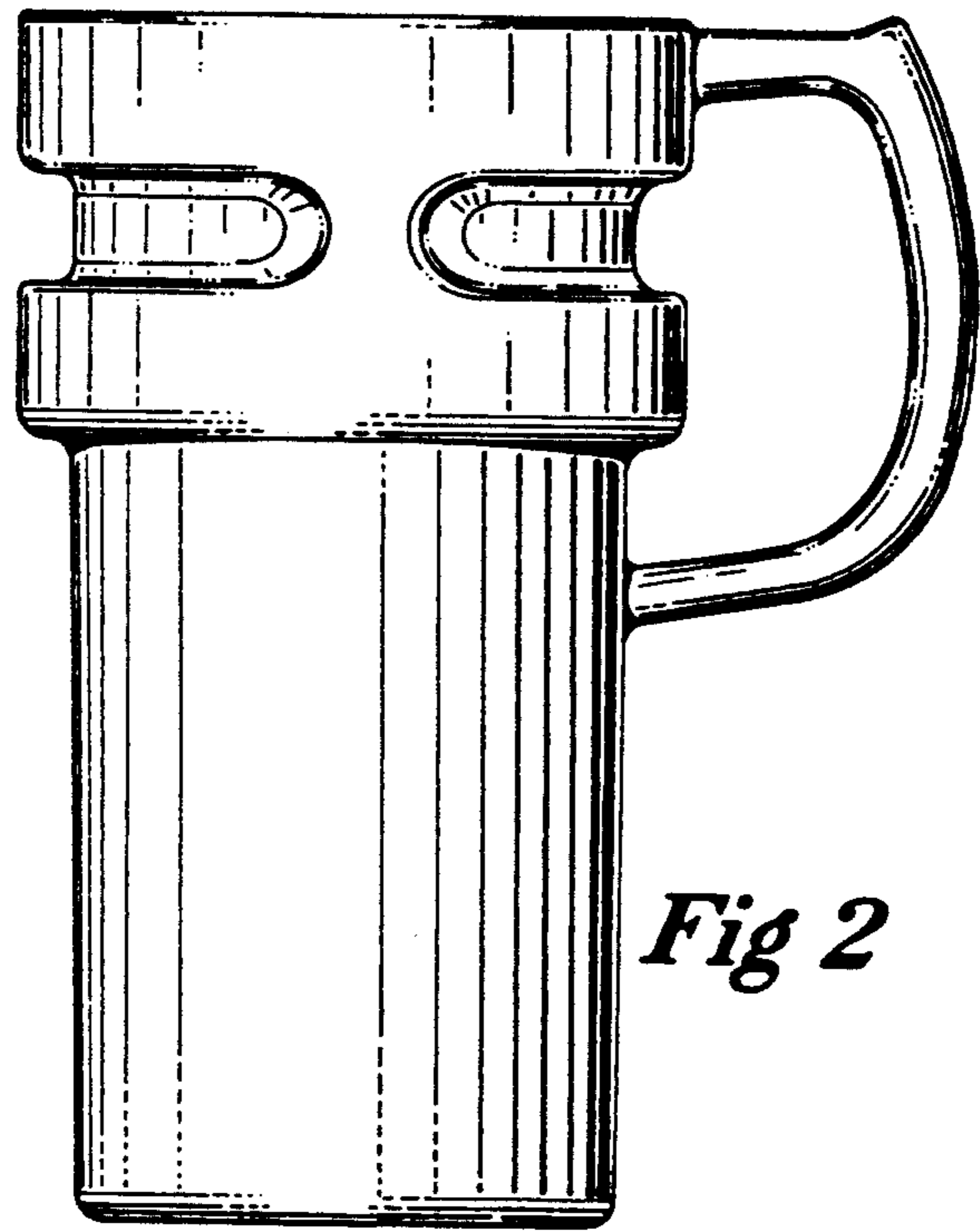


Fig 2

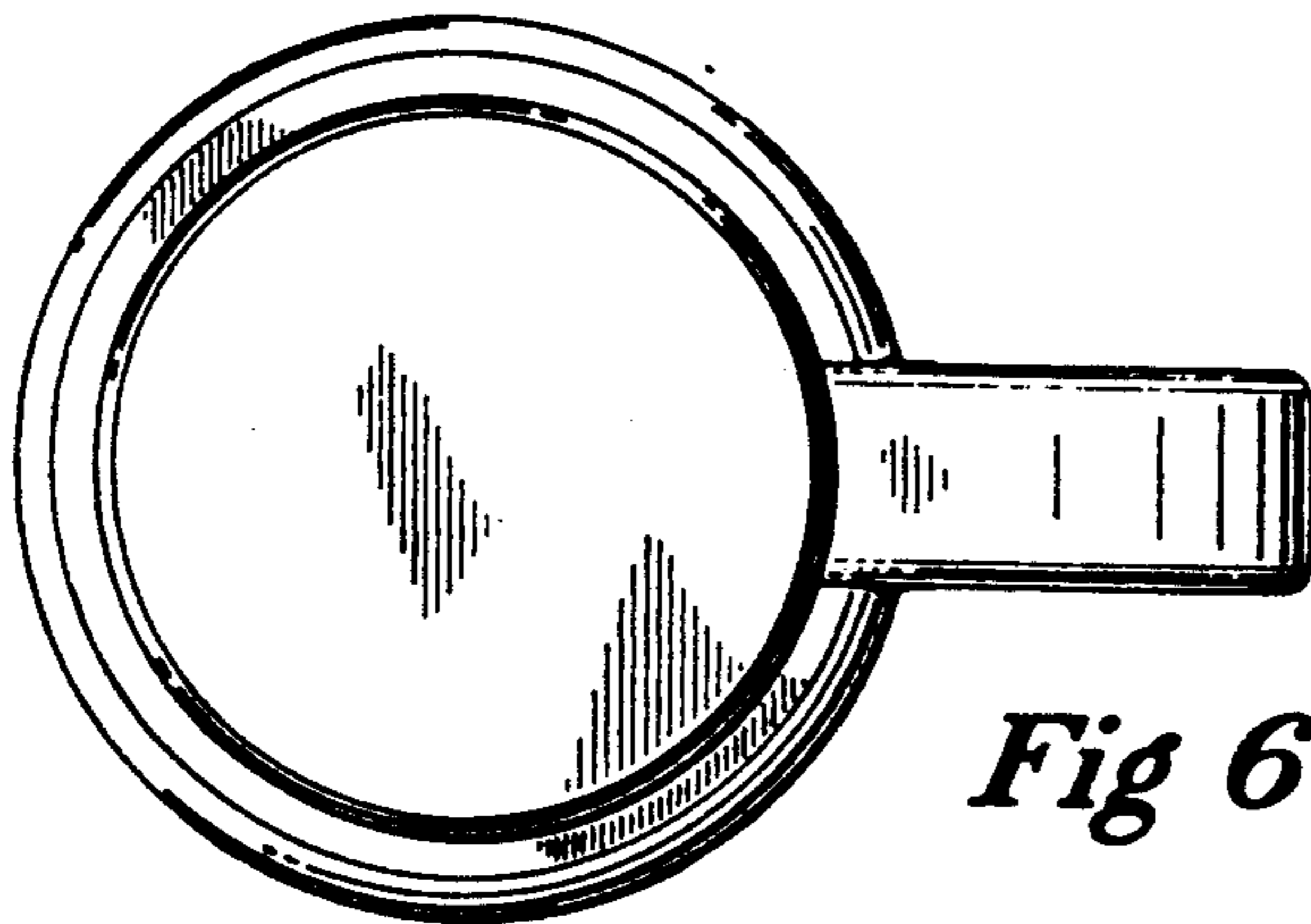


Fig 6

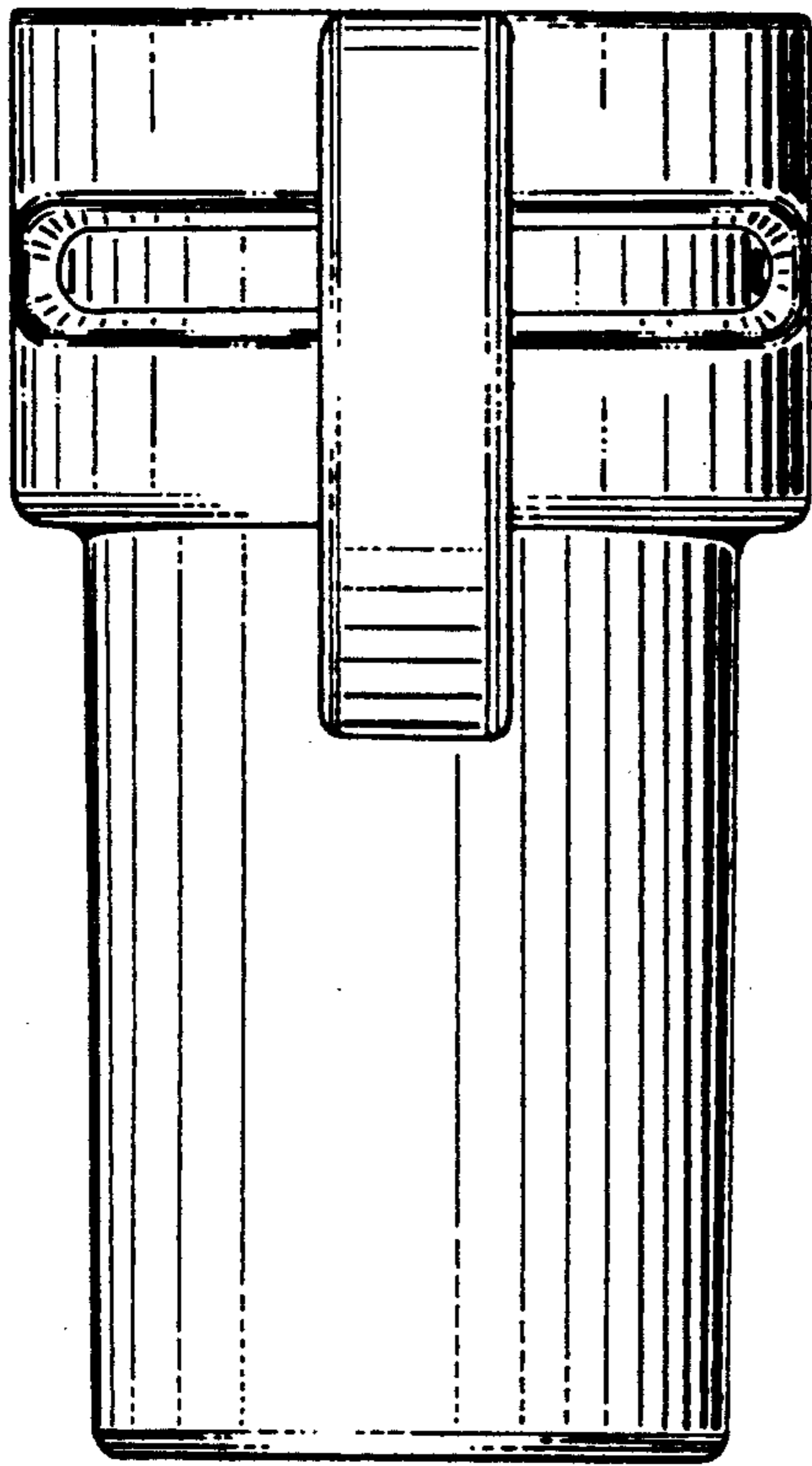


Fig 3

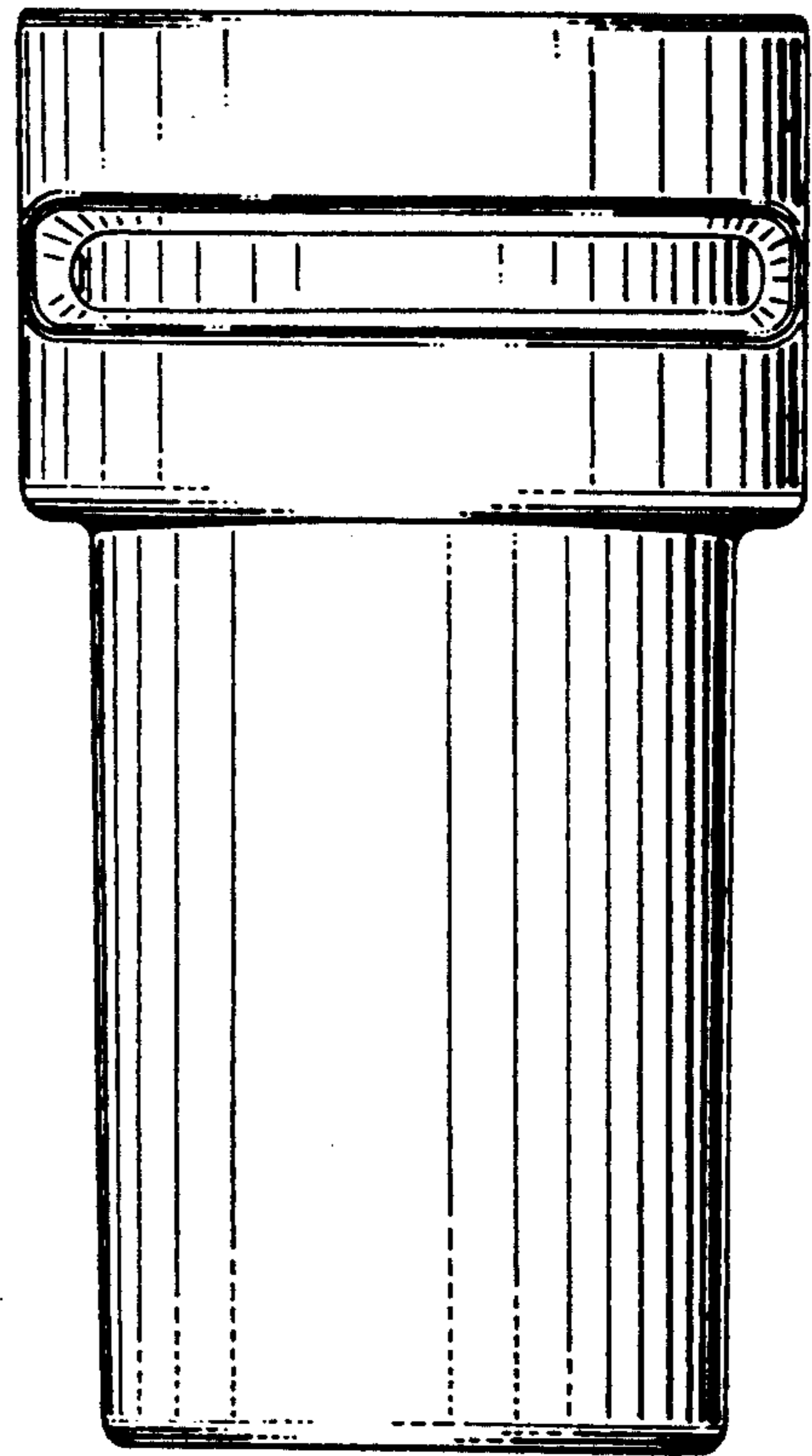


Fig 4

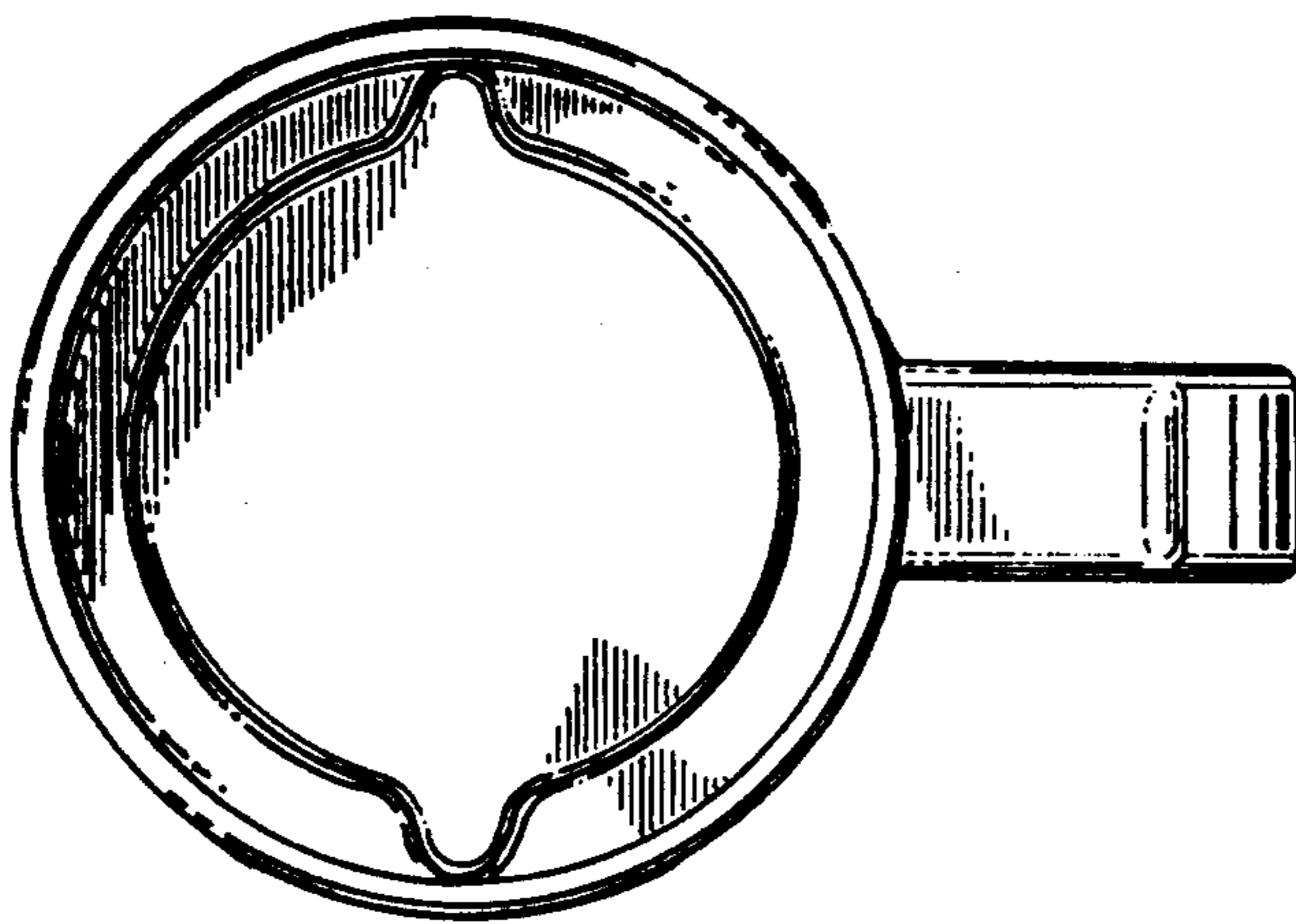


Fig 5