



US00D343990S

United States Patent [19]

[11] Patent Number: **Des. 343,990**

Maraan, II

[45] Date of Patent: **** Feb. 8, 1994**

[54] **BEVERAGE CUP**

[76] Inventor: **Benjamin M. Maraan, II**, 2125
Raeburn Dr., Cincinnati, Ohio 45223

[**] Term: **14 Years**

[21] Appl. No.: **812,961**

[22] Filed: **Dec. 26, 1991**

[52] U.S. Cl. **D7/307; D7/509;**
D7/513

[58] Field of Search **D7/507, 509, 510, 511,**
D7/512, 518, 521, 533, 536, 300, 598, 312, 316,
317, 534, 535, 528, 527, 513, 532; D9/500;
220/630.8, 575; 215/12.1

[56] **References Cited**

U.S. PATENT DOCUMENTS

D. 76,986	11/1928	Clark	D7/527
D. 101,721	10/1936	Spinelli et al.	D7/513
D. 199,749	12/1964	Schnur et al.	D7/533
D. 332,203	1/1993	Fernandez-Guthrie	D7/512
2,060,781	11/1936	Annen	D7/536 X
2,288,044	6/1942	Stemme	D7/513 X

3,291,361	12/1966	Commeyras	D9/500
3,375,954	4/1968	Honkanen et al.	D9/500
3,870,220	3/1975	Koury	D7/507
3,990,179	11/1976	Johnson et al.	220/630 X
4,573,632	3/1986	Scheeren	D7/565 X
4,928,412	5/1990	Nishiyama	D7/507
5,111,960	5/1992	Zilliox	220/575

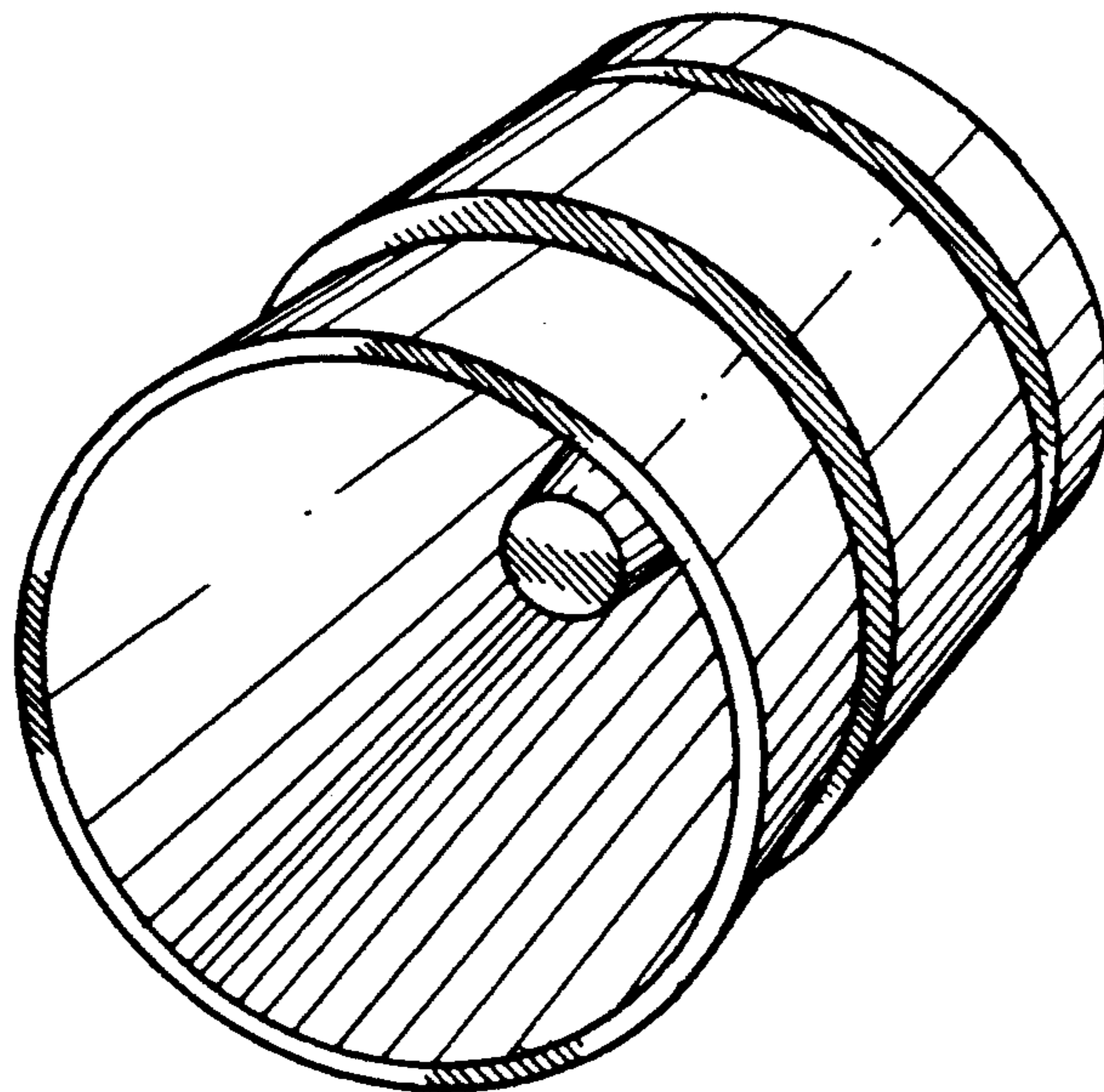
Primary Examiner—Alan P. Douglas
Assistant Examiner—M. N. Pandozzi
Attorney, Agent, or Firm—Terry M. Gernstein

[57] **CLAIM**

The ornamental design for a beverage cup, as shown and described.

DESCRIPTION

FIG. 1 is a perspective view of the beverage cup embodying the design of the present invention; FIG. 2 is a typical elevational view thereof, all elevational views being identical to the view shown in FIG. 2; FIG. 3 is a top plan view thereof; FIG. 4 is a bottom view thereof; and, FIG. 5 is a top perspective view thereof.



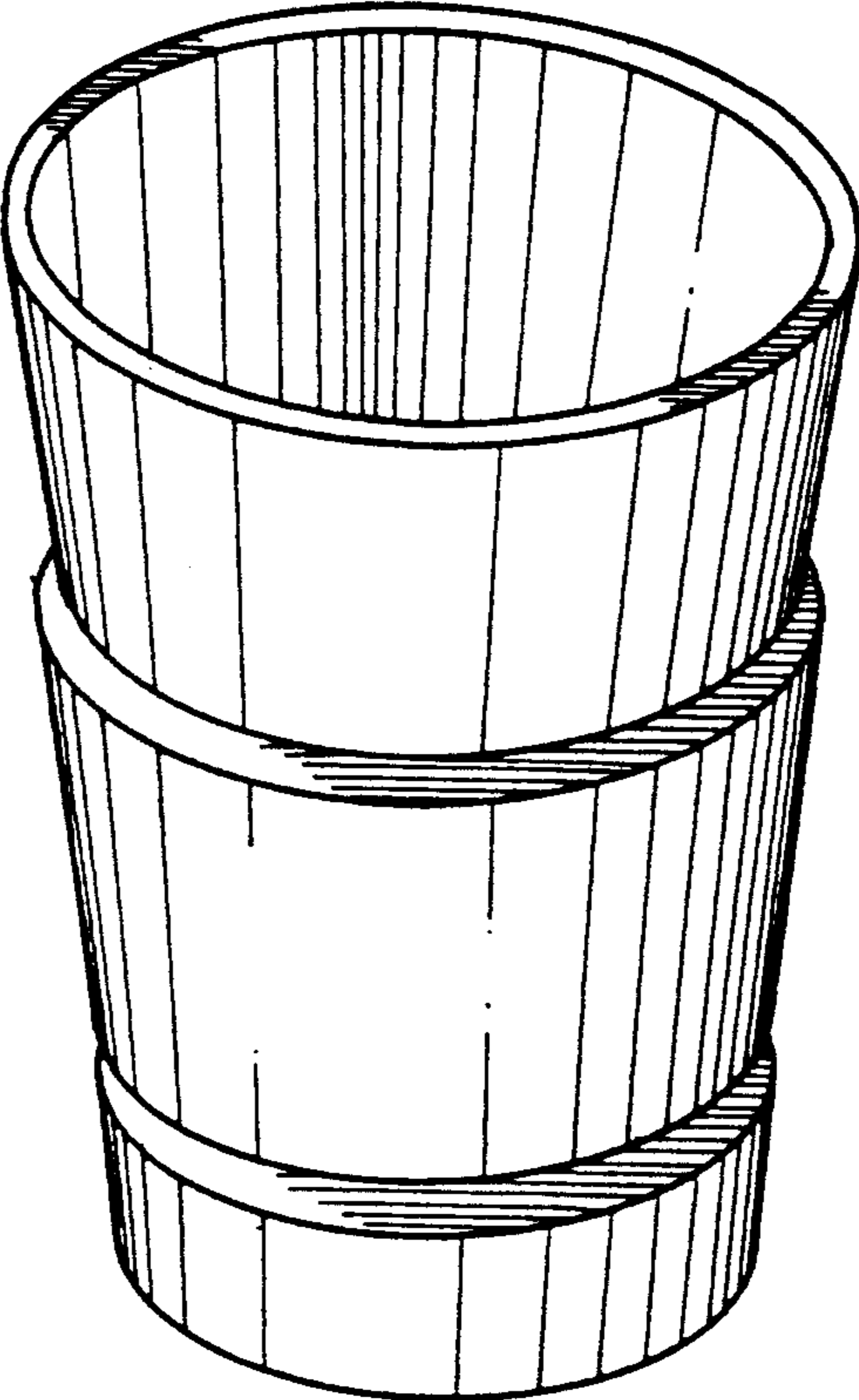


FIG. 1.

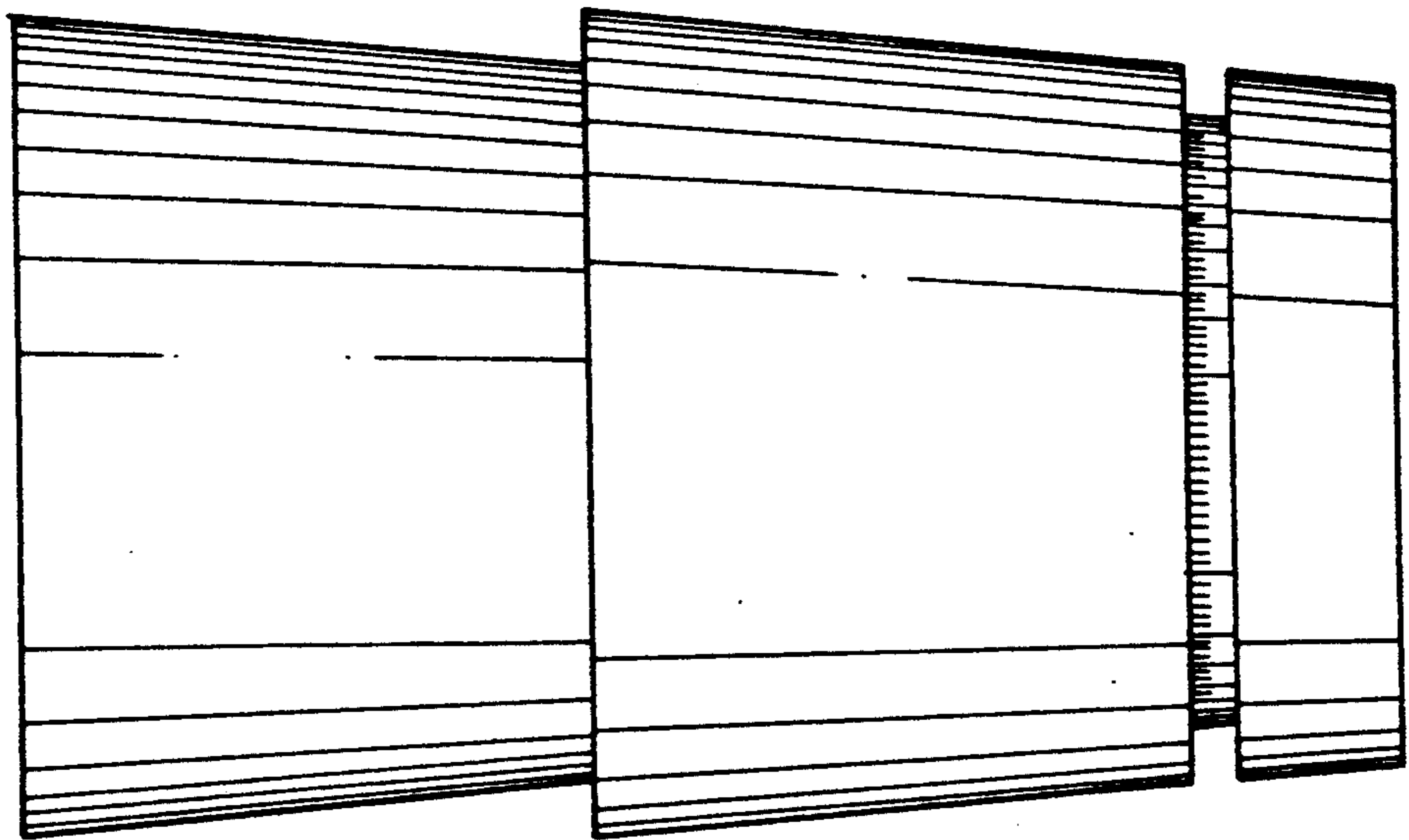


FIG. 2.

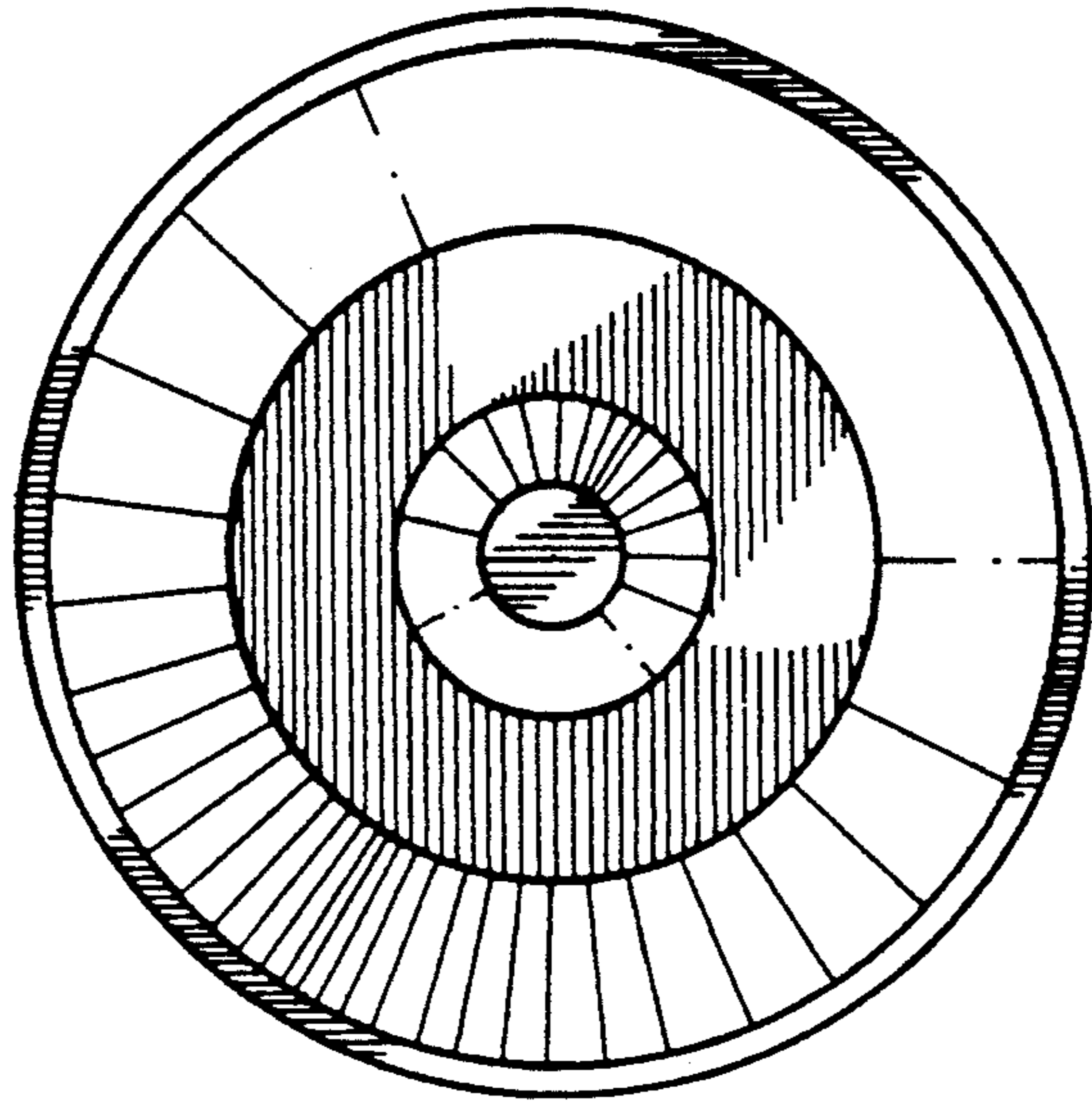


FIG. 3.

FIG. 4.

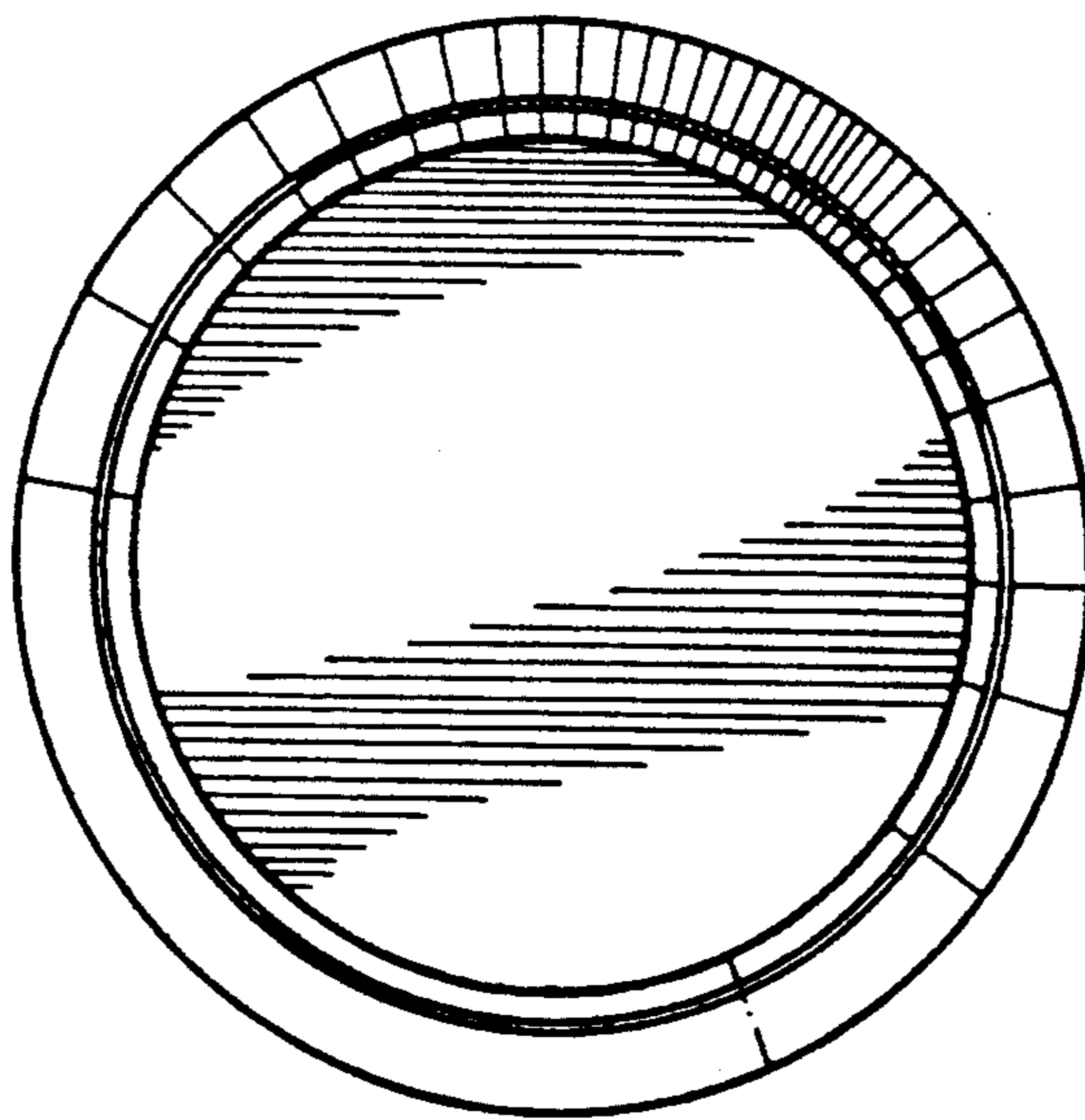


FIG. 5.

