



US00D343989S

# United States Patent [19]

[11] Patent Number: **Des. 343,989**

Falk

[45] Date of Patent: **\*\* Feb. 8, 1994**

[54] COUNTER TOP GRILL APPLIANCE

[75] Inventor: **Donald G. Falk, Louisville, Ky.**

[73] Assignee: **General Electric Company, Louisville, Ky.**

[\*\*] Term: **14 Years**

[21] Appl. No.: **756,762**

[22] Filed: **Sep. 9, 1991**

[52] U.S. Cl. .... **D7/407**

[58] Field of Search ..... **D7/339-340, D7/346-347, 332, 338, 402, 407-409; 126/39 R, 39 J, 39 E, 39 H, 211, 214 C, 214 D, 215, 299 D, 300, 220; 99/422, 444-446, 450, 460; 219/443, 458**

D. 299,305	1/1989	Vollborn	.....	D7/332
D. 303,604	9/1989	Beach et al.	.....	D7/346
D. 303,605	9/1989	Davis et al.	.....	D7/346
3,596,650	8/1971	Cerola	.....	D7/346

*Primary Examiner*—Ruth McInroy  
*Attorney, Agent, or Firm*—H. Neil Houser; Radford M. Reams

### [57] CLAIM

The ornamental design for a counter top grill appliance, as shown and described.

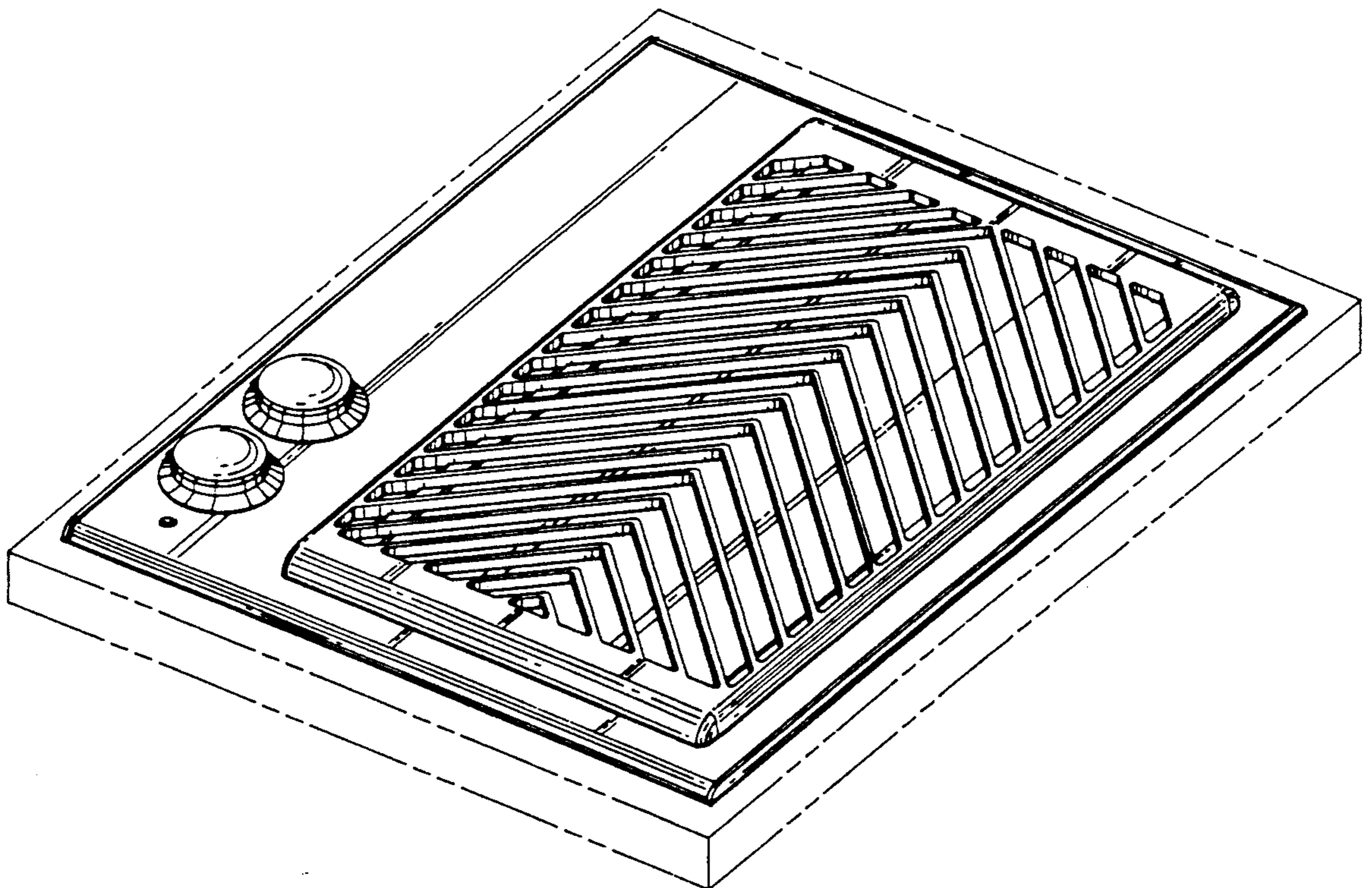
### DESCRIPTION

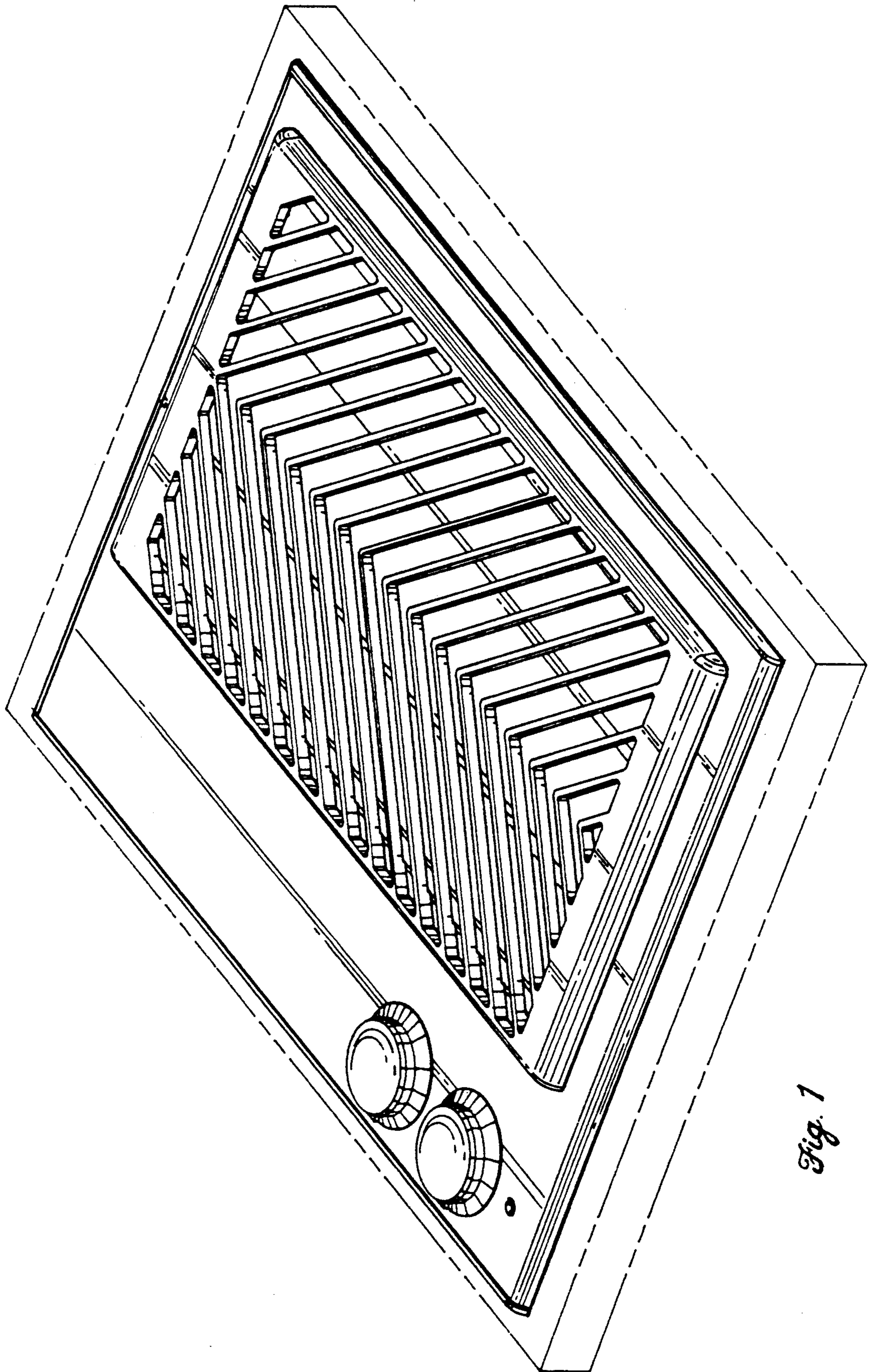
FIG. 1 is a top perspective view of a counter top grill appliance for surface cooking showing my new design; FIG. 2 is a side elevational view thereof; and, FIG. 3 is an end elevational view thereof. The portion shown in broken lines in FIGS. 1-3 is shown for illustrative purposes only and forms no part of the claimed design. The undisclosed bottom is flat and unornamented.

### [56] References Cited

#### U.S. PATENT DOCUMENTS

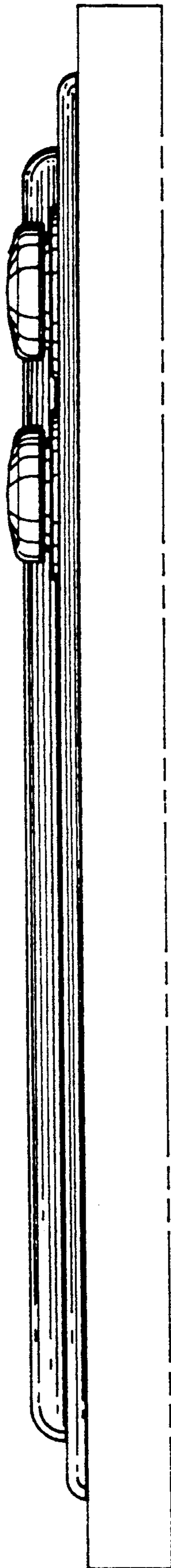
D. 85,696	12/1931	Hoffstetter et al.	.....	D7/402
D. 204,221	3/1966	Rawald	.....	D7/346



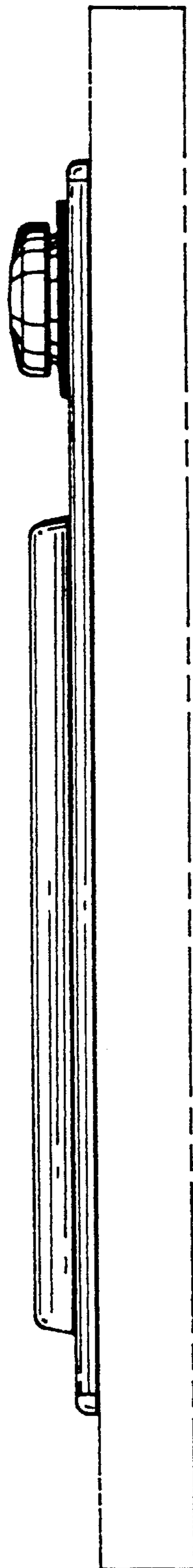


*Fig. 1*





*Fig. 2*



*Fig. 3*