



US00D343987S

United States Patent [19]

[11] Patent Number: **Des. 343,987**

Rotte

[45] Date of Patent: **** Feb. 8, 1994**

[54] **PEDESTAL FOR BLENDER**

[75] Inventor: **Andries C. Rotte**, Drachten, Netherlands

[73] Assignee: **U.S. Philips Corporation**, New York, N.Y.

[**] Term: **14 Years**

[21] Appl. No.: **667,072**

[22] Filed: **Mar. 11, 1991**

[30] **Foreign Application Priority Data**

Sep. 12, 1990 [WO] World Int. Prop. O. ... DM/017.600

[52] U.S. Cl. **D7/386; D7/376**

[58] Field of Search **D7/376-380, D7/384, 386, 413; 366/129, 130, 197, 199, 204, 205, 314**

[56] **References Cited**

U.S. PATENT DOCUMENTS

- D. 115,517 7/1939 Hook D7/378
- D. 175,601 9/1955 Huck D7/378 X
- D. 199,888 12/1964 Dewenter D7/378

- D. 202,685 10/1965 Cabell et al. D7/378
- D. 204,924 5/1966 DiSesa D7/378
- D. 213,938 4/1969 Morris D7/378
- D. 318,398 7/1991 Disco D7/378
- 3,240,246 3/1966 Dewenter D7/378 X
- 3,537,691 11/1970 Tsuruta et al. D7/378 X
- 4,885,917 12/1989 Spector D7/413 X

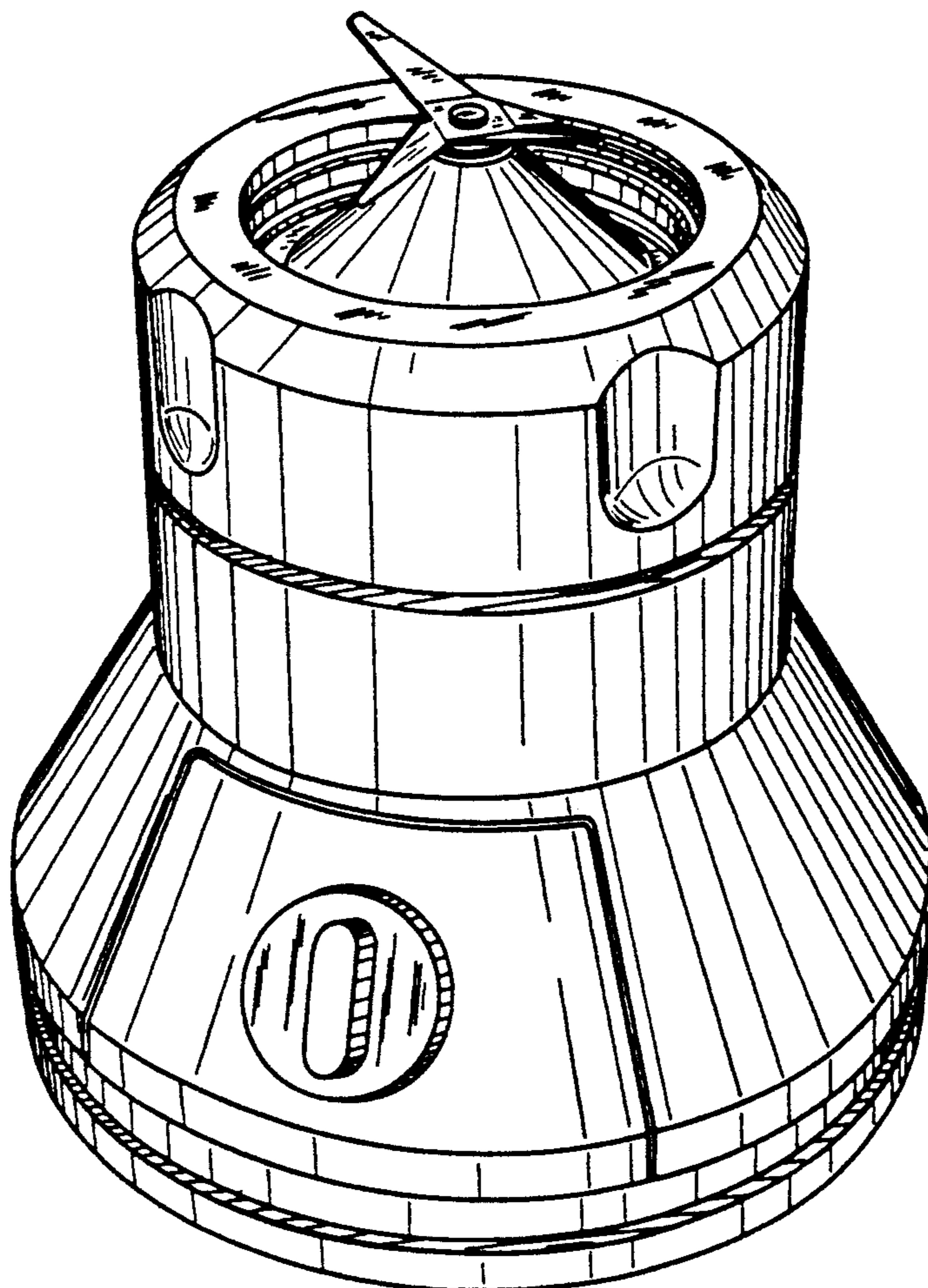
Primary Examiner—Nelson C. Holtje
Assistant Examiner—Caron D. Veynar
Attorney, Agent, or Firm—Jack E. Haken

[57] **CLAIM**

The ornamental design for a pedestal for blender, as shown.

DESCRIPTION

FIG. 1 is a top, front, right side perspective view showing my new design;
FIG. 2 is a front elevational view thereof;
FIG. 3 is a rear elevational view thereof;
FIG. 4 is a right side elevational view thereof;
FIG. 5 is a left side elevational view thereof;
FIG. 6 is a top plan view thereof; and,
FIG. 7 is a bottom plan view thereof.



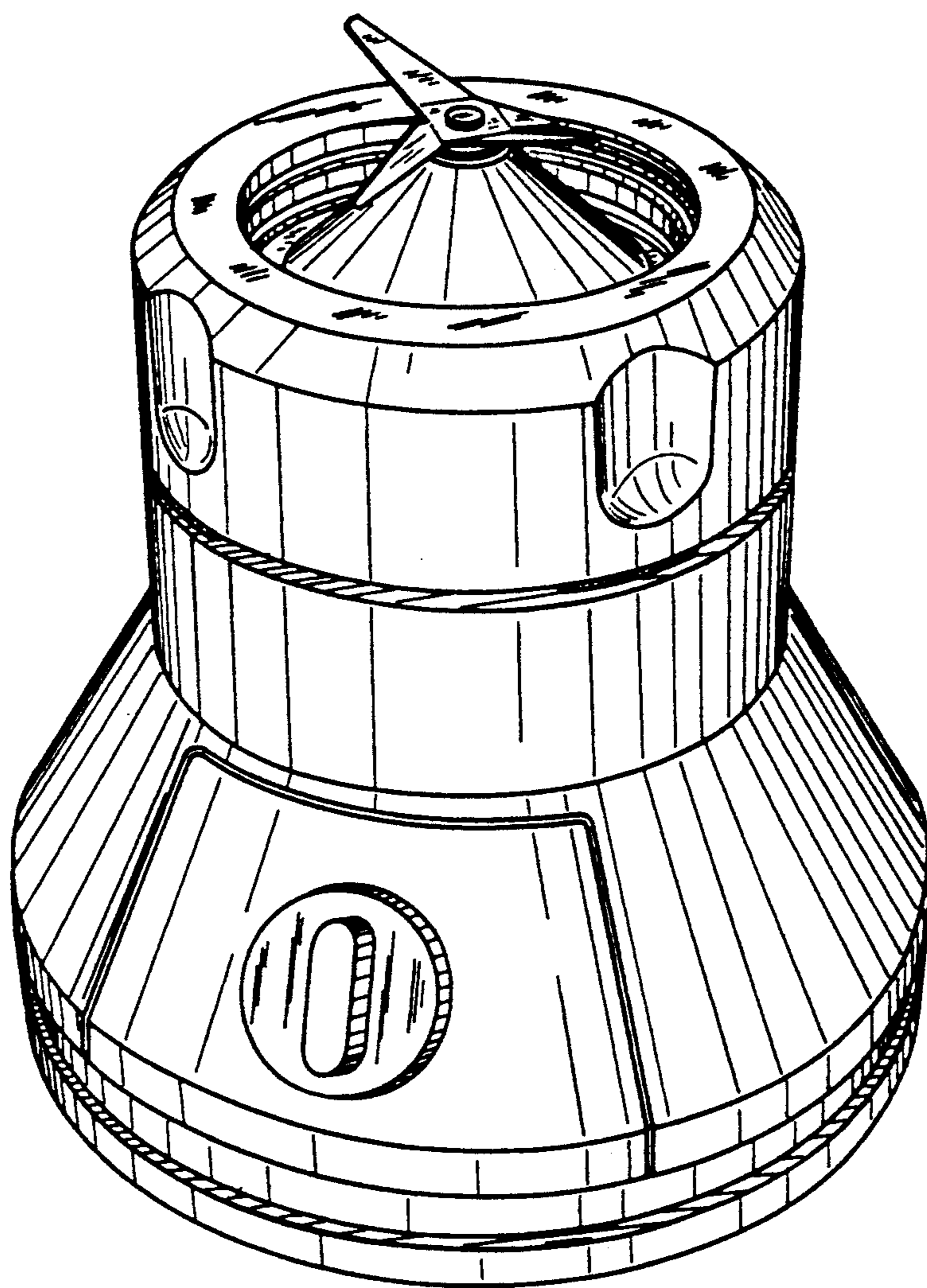


FIG. 1

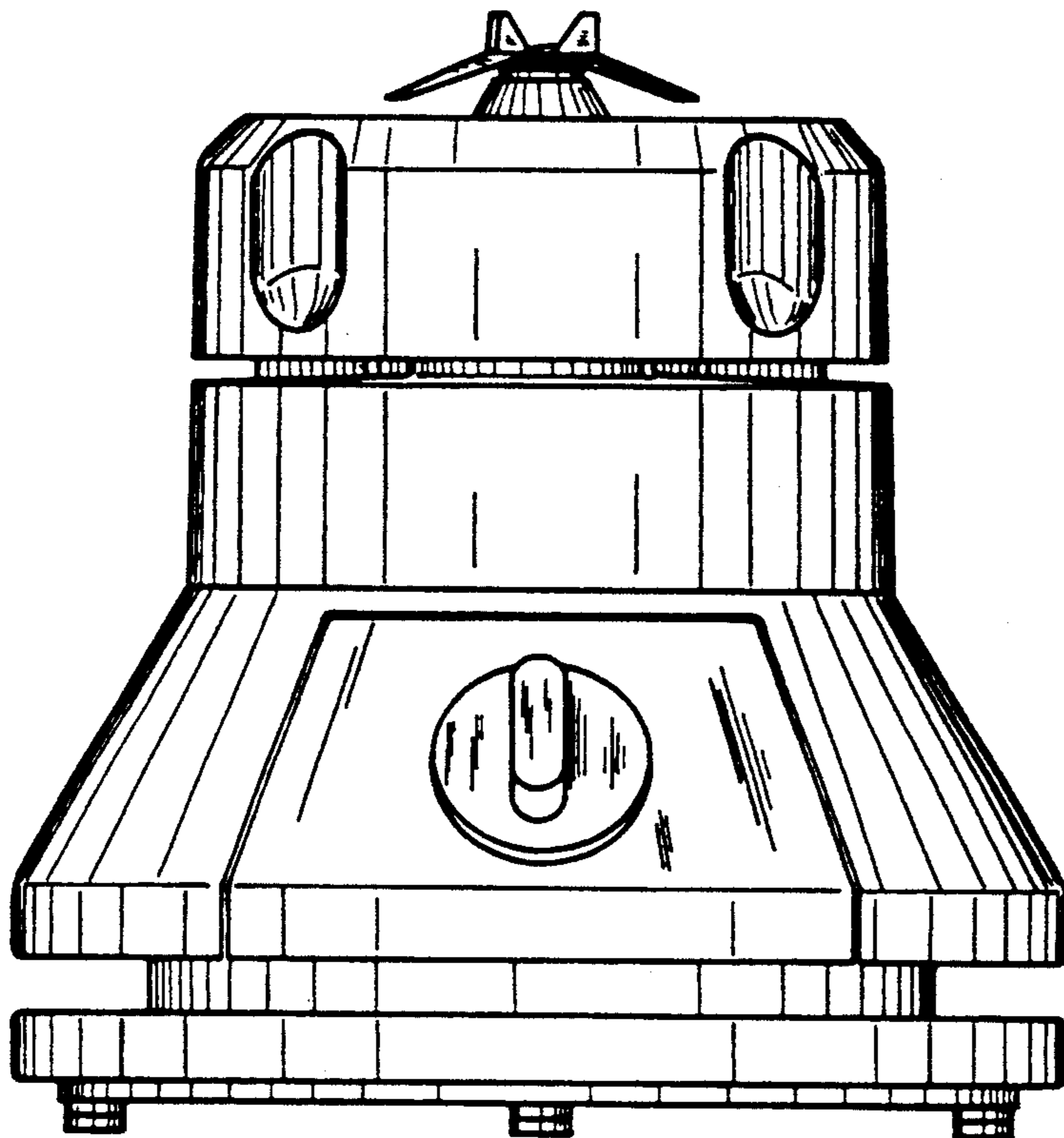


FIG. 2

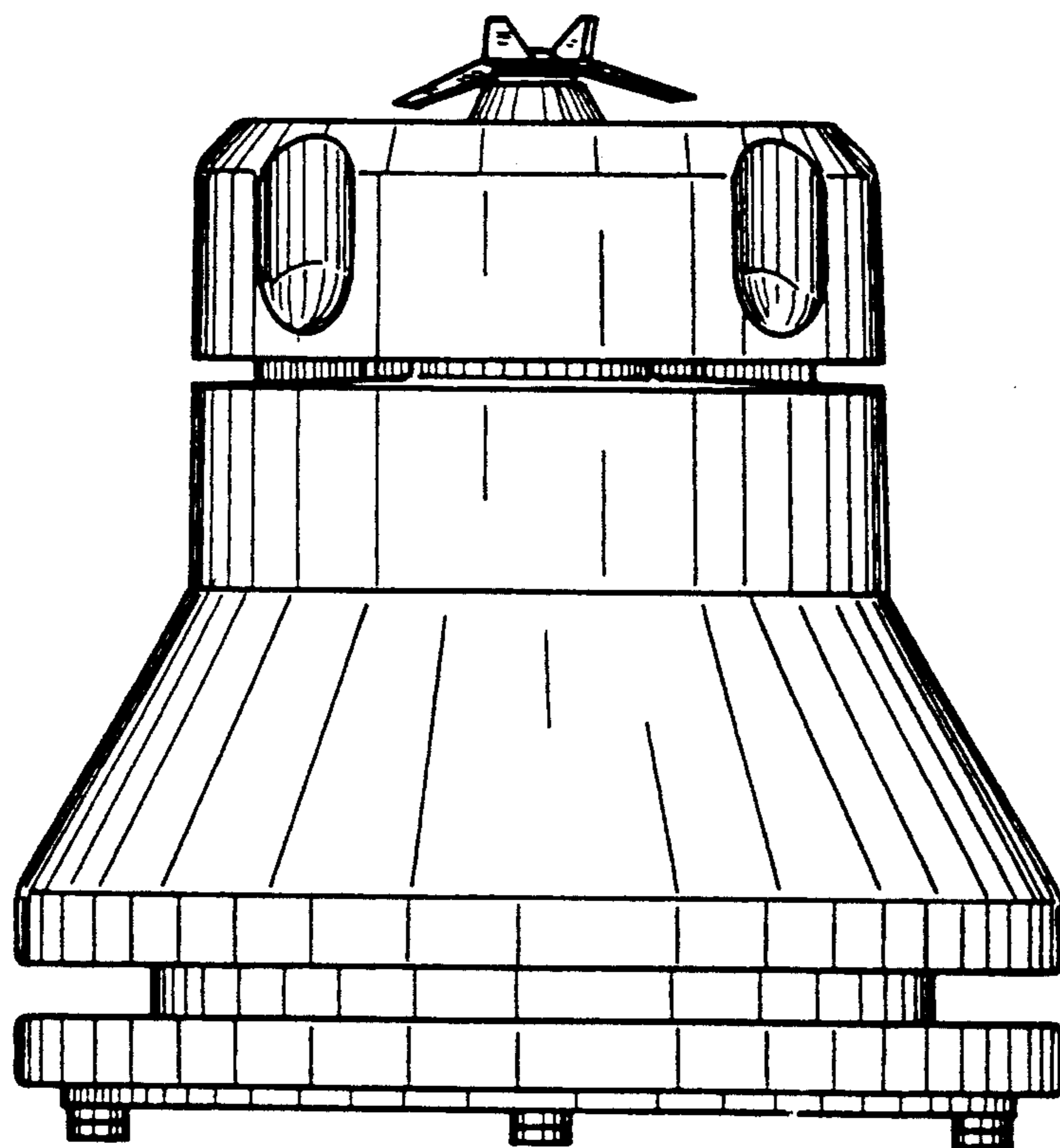


FIG. 3

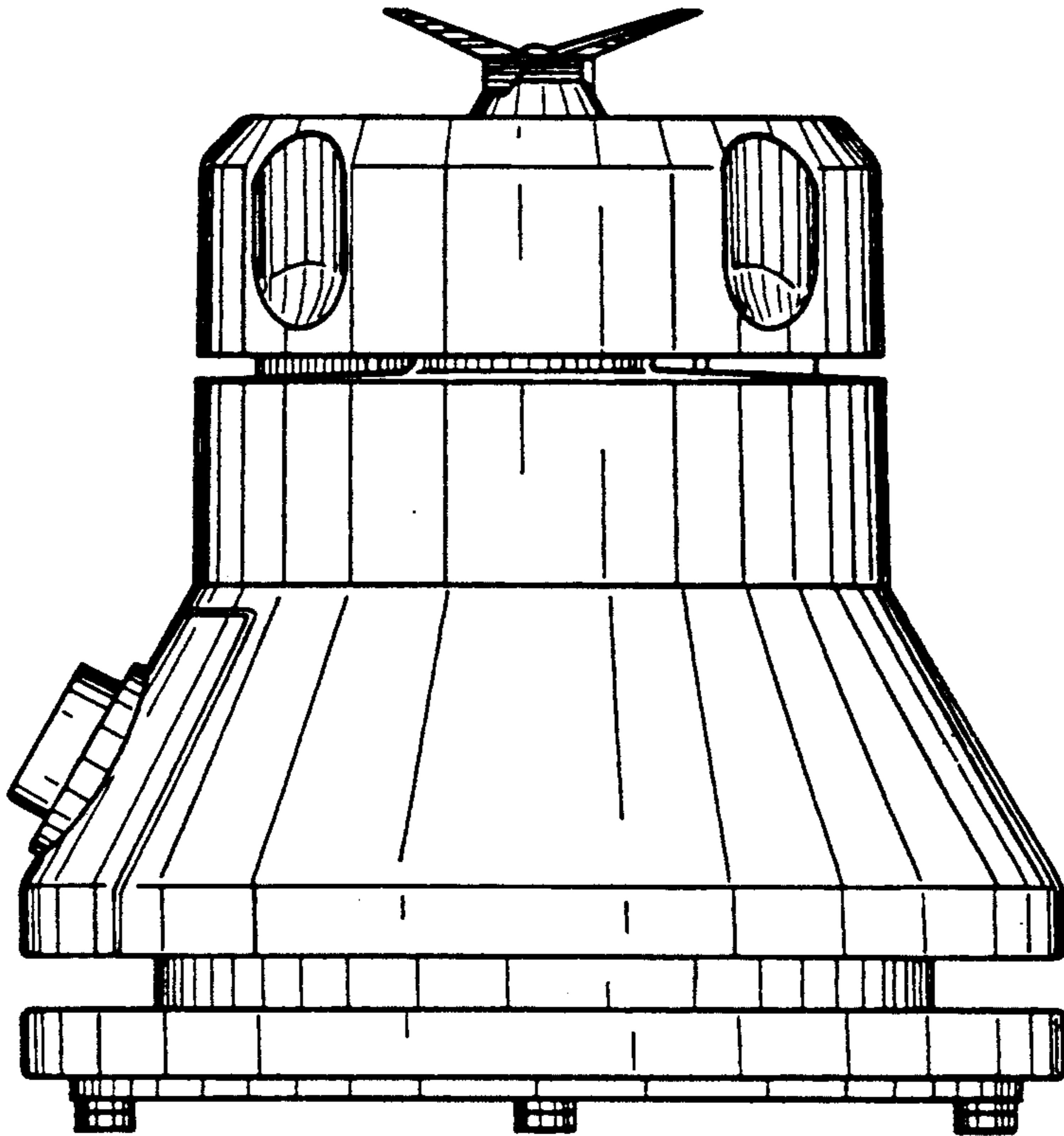


FIG. 4

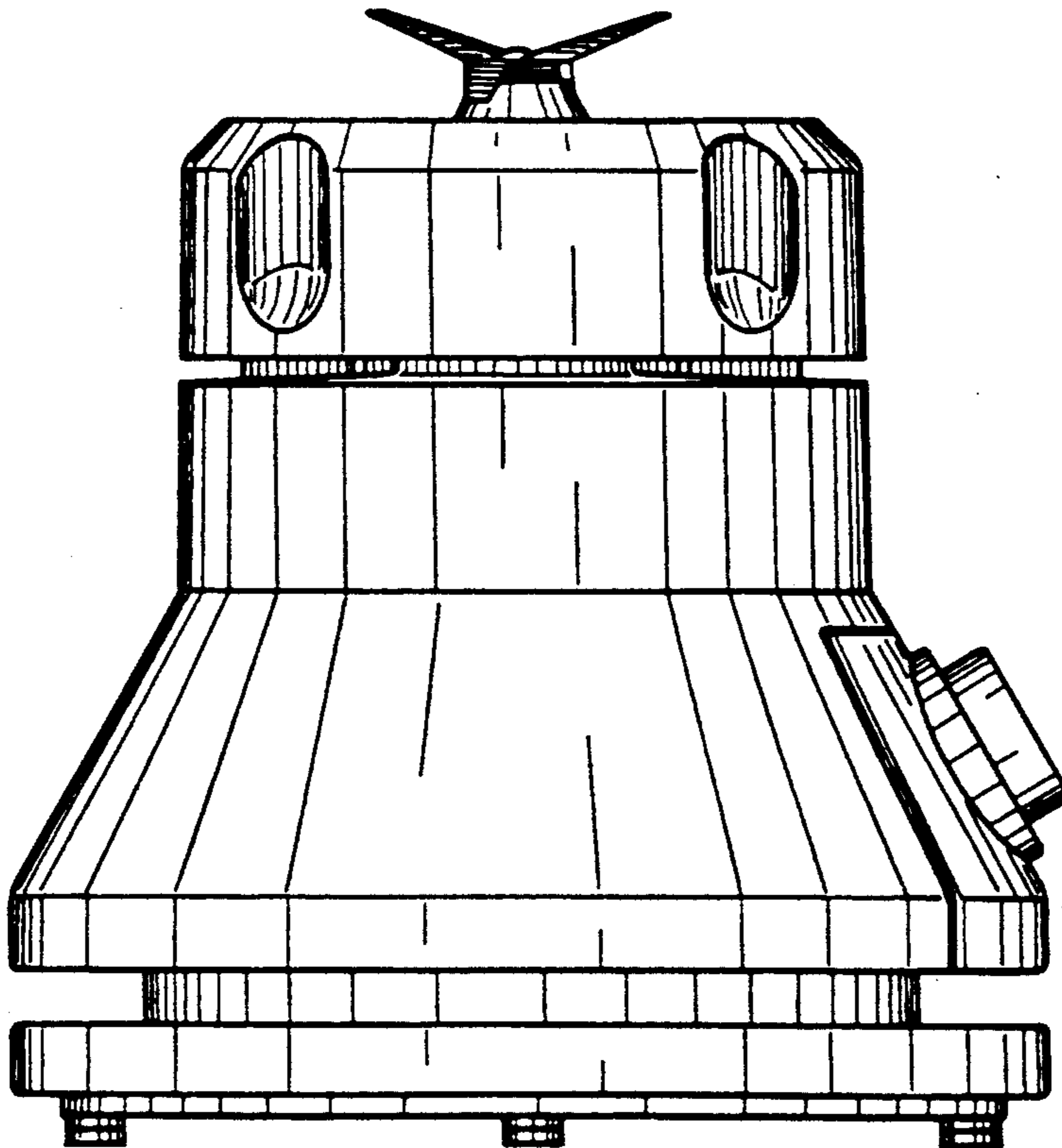


FIG. 5

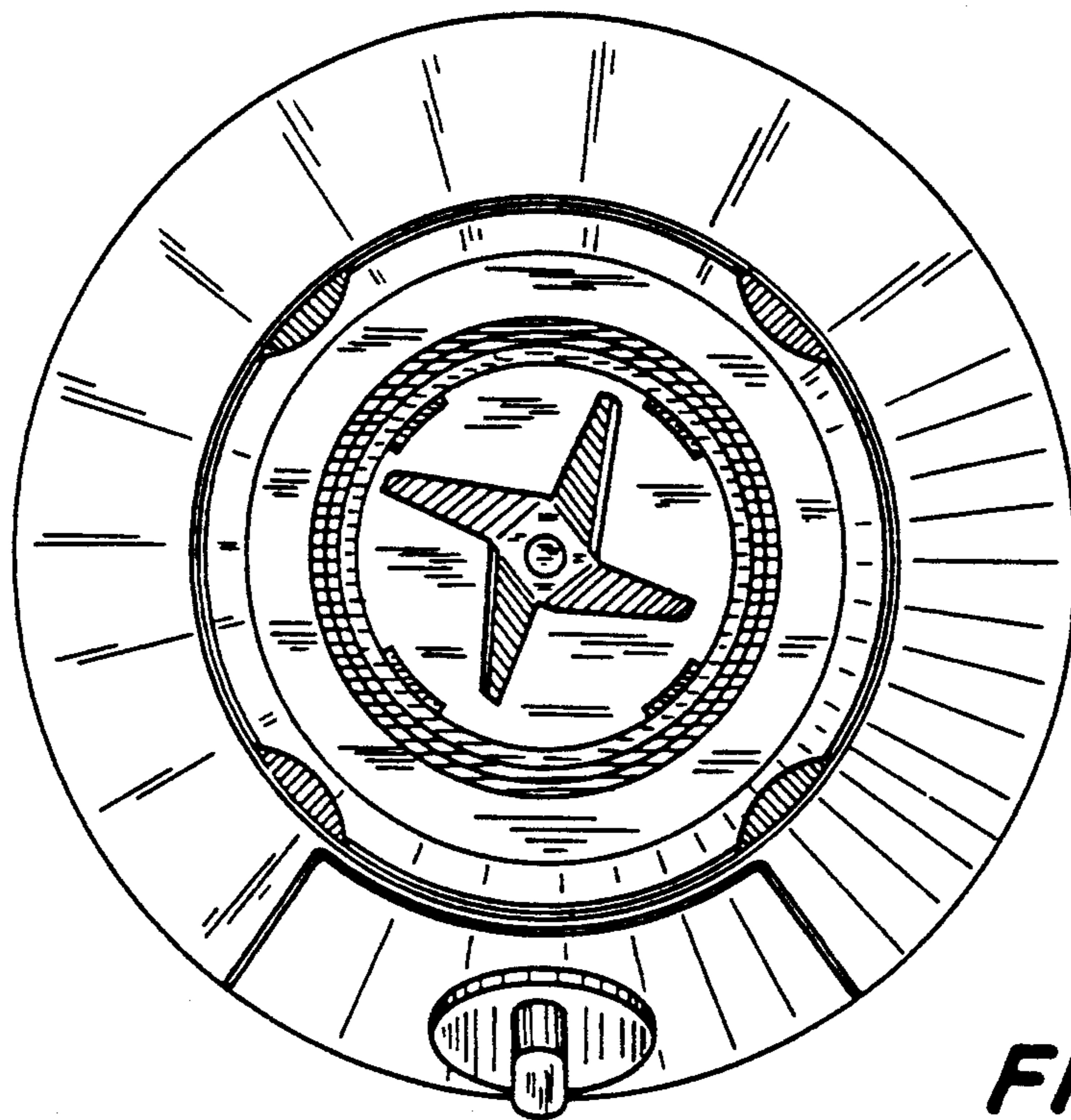


FIG. 6

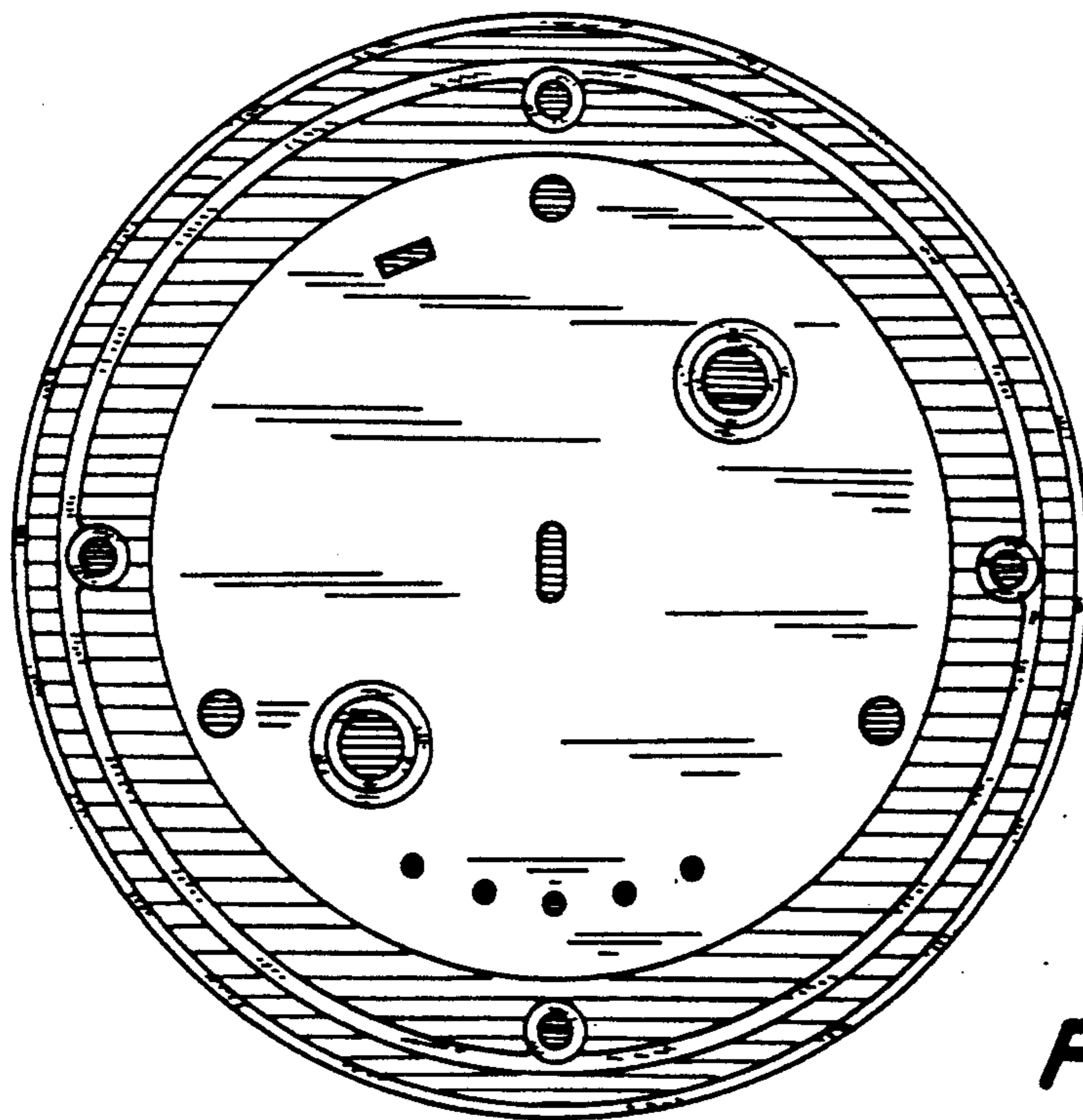


FIG. 7