



US00D343985S

# United States Patent [19]

[11] Patent Number: **Des. 343,985**

Rath

[45] Date of Patent: **\*\* Feb. 8, 1994**

[54] BUTTER BEAN SHELLING DEVICE

5,134,927 8/1992 McCarthy et al. .... 99/427

[76] Inventor: **David O. Rath**, Rte. 1, Box 249,  
Roper, N.C. 27970

### FOREIGN PATENT DOCUMENTS

325349 7/1988 European Pat. Off. .  
63-98371 10/1986 Japan .

[\*\*] Term: **14 Years**

*Primary Examiner*—Alan P. Douglas  
*Assistant Examiner*—Caron D. Veynar  
*Attorney, Agent, or Firm*—Terry M. Gernstein

[21] Appl. No.: **684,557**

[22] Filed: **Apr. 12, 1991**

### [57] CLAIM

[52] U.S. Cl. .... **D7/369; D7/368**

[58] Field of Search ..... **D7/369, 381; 99/403,**  
**99/427, 567, 568, 574-577, 579-582, 621, 625;**  
**100/153; 460/116, 131, 142, 148; D15/147, 199**

The ornamental design for a butter bean shelling device,  
as shown and described.

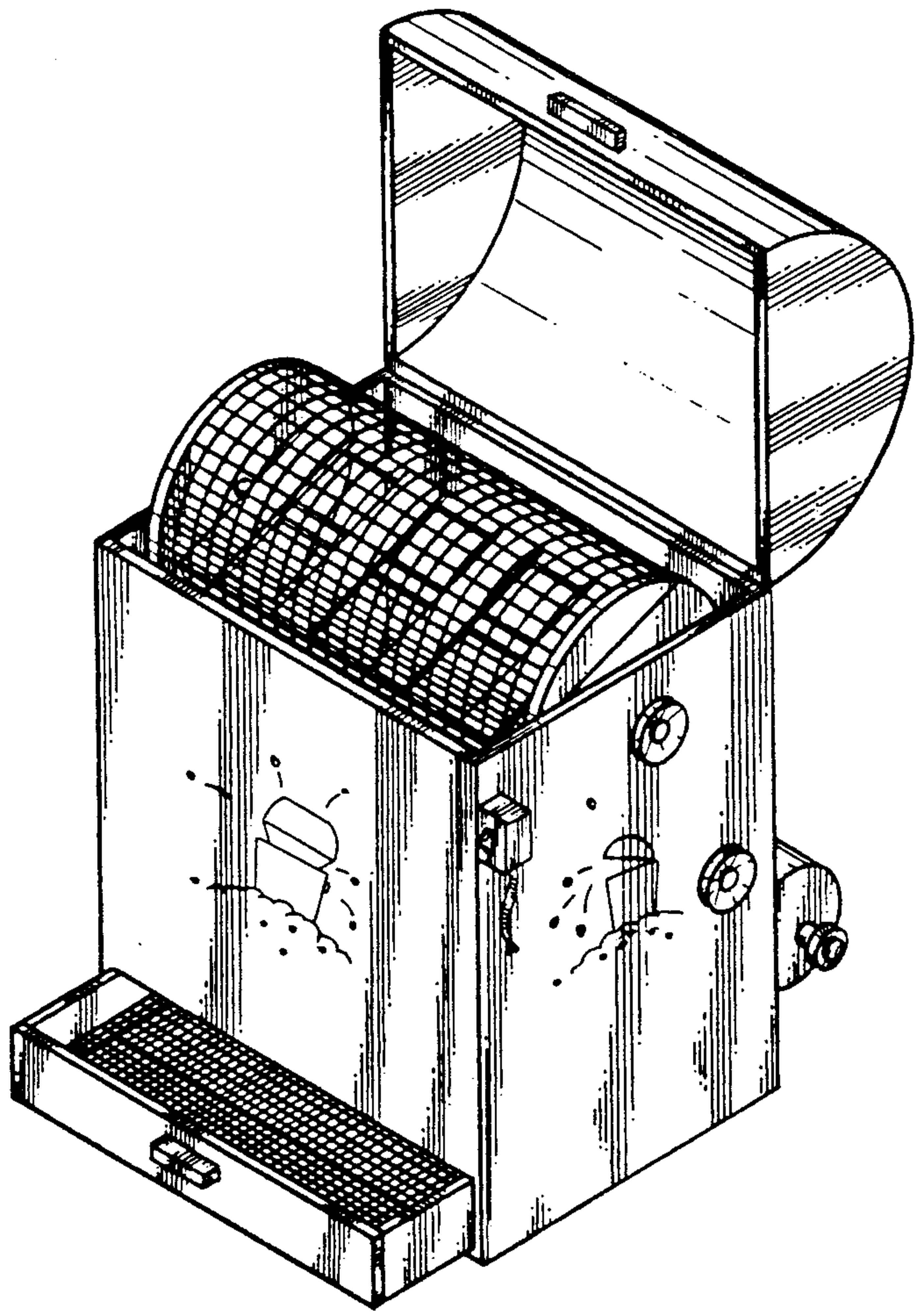
### DESCRIPTION

### [56] References Cited

#### U.S. PATENT DOCUMENTS

D. 228,021	7/1973	Burns	.....	D7/369
771,638	10/1904	Hornby et al.	.....	99/427
1,515,003	11/1924	Watson	.....	99/403 X
1,520,524	12/1924	Abandowitz	.	
4,052,992	10/1977	Taylor	.....	460/142
4,066,087	1/1978	Rodgers	.....	460/142
4,597,977	7/1986	Brown	.....	460/142 X
4,598,637	7/1986	Brown	.	
4,848,221	7/1989	Borba	.	

FIG. 1 is a perspective view of the butter bean shelling device embodying the design of the present invention in the open configuration;  
FIG. 2 is a front elevational view thereof in the closed configuration;  
FIG. 3 is a rear elevational view thereof in the closed configuration;  
FIG. 4 is a left side elevational view thereof;  
FIG. 5 is a right side elevational view thereof;  
FIG. 6 is a top plan view thereof; and,  
FIG. 7 is a bottom view thereof.



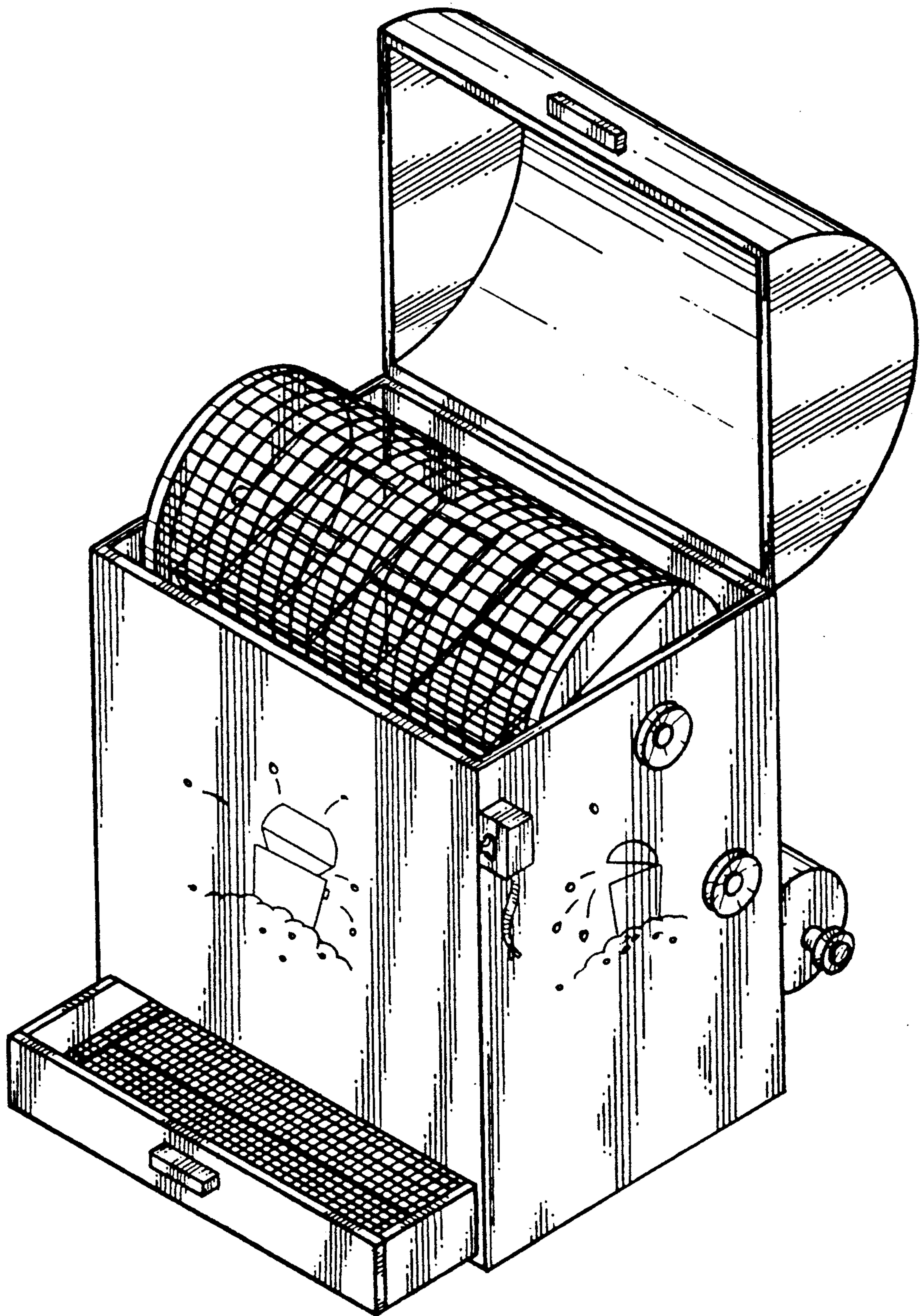


FIG. 1



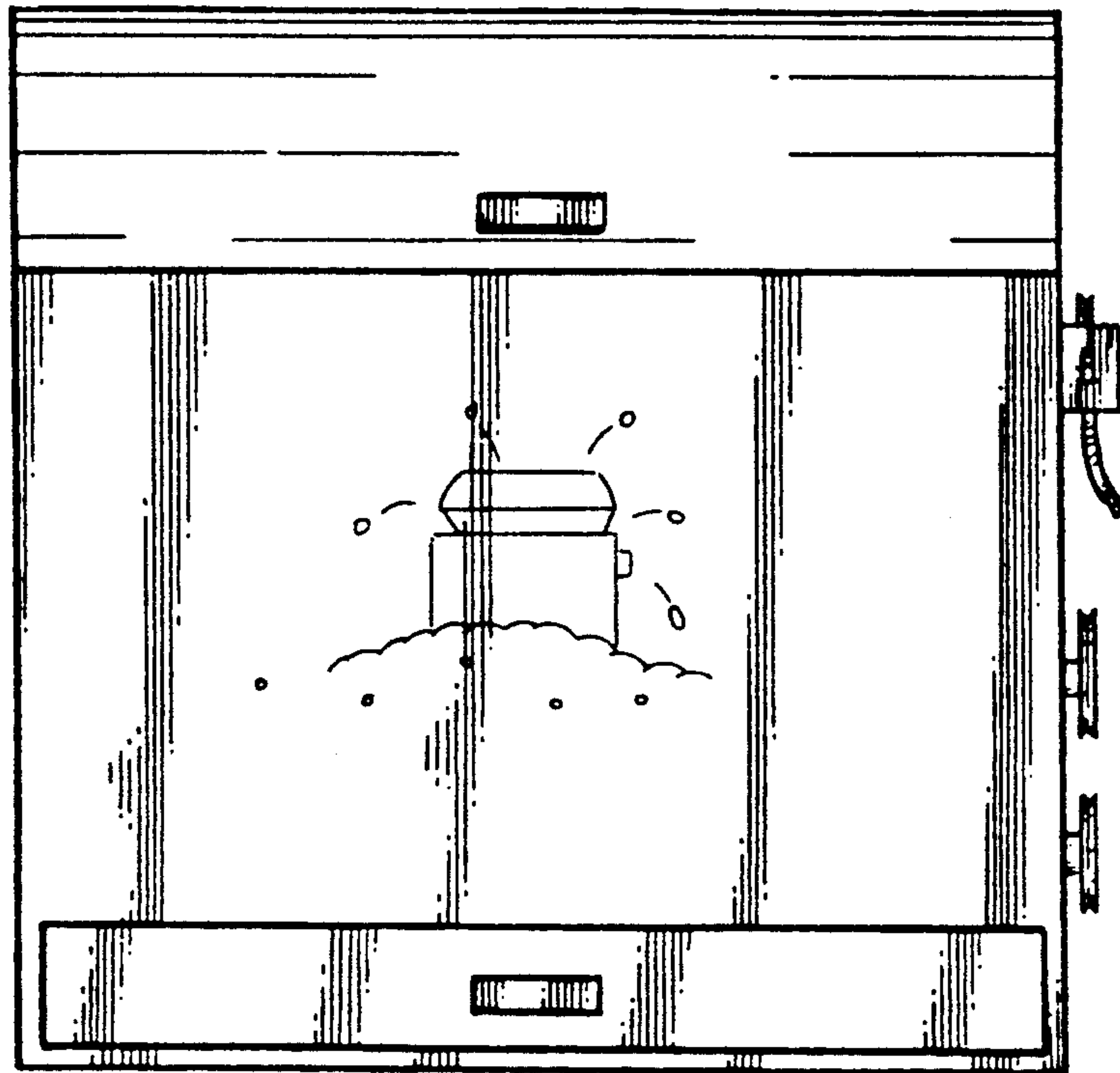


FIG. 2

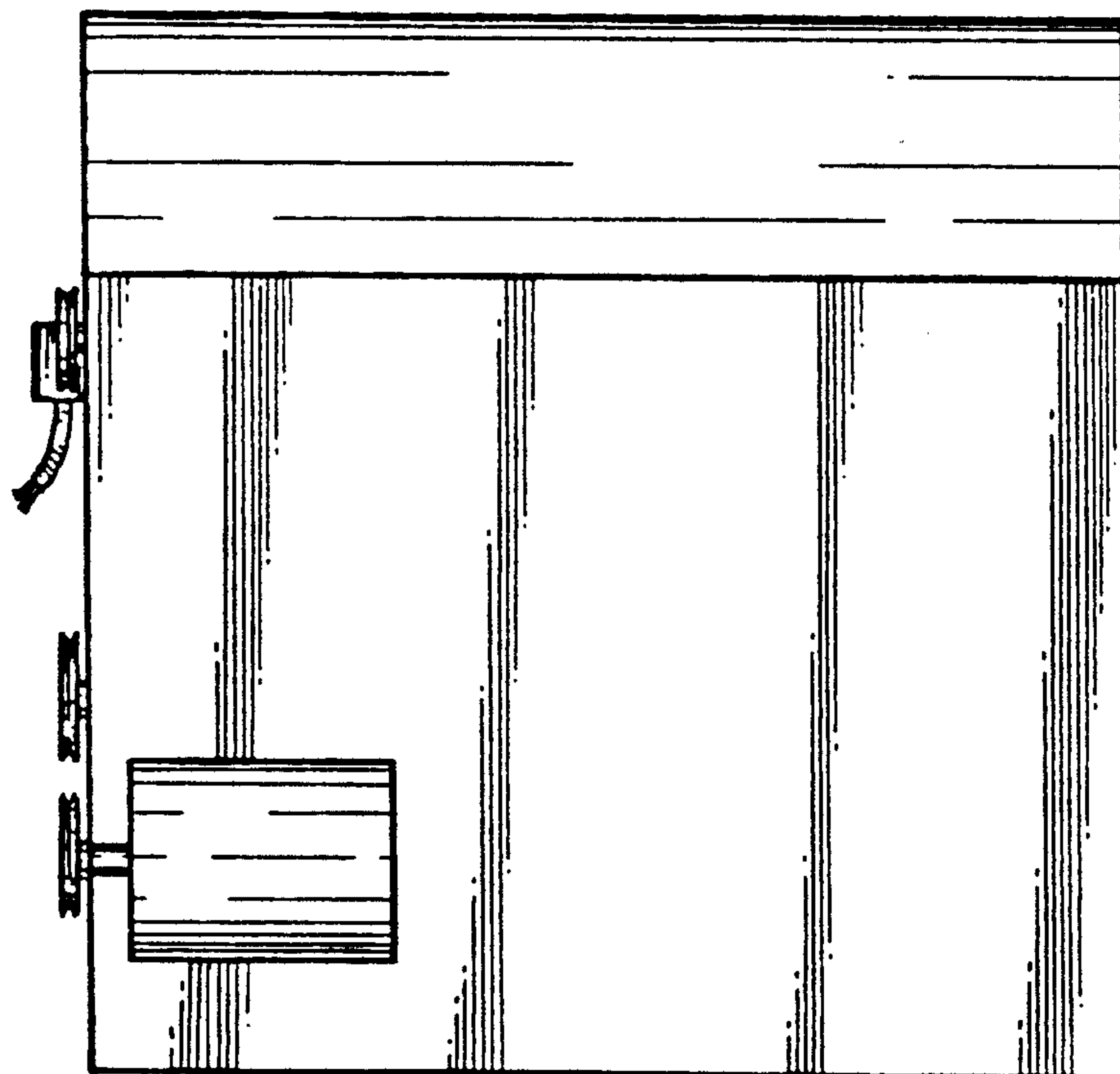


FIG. 3

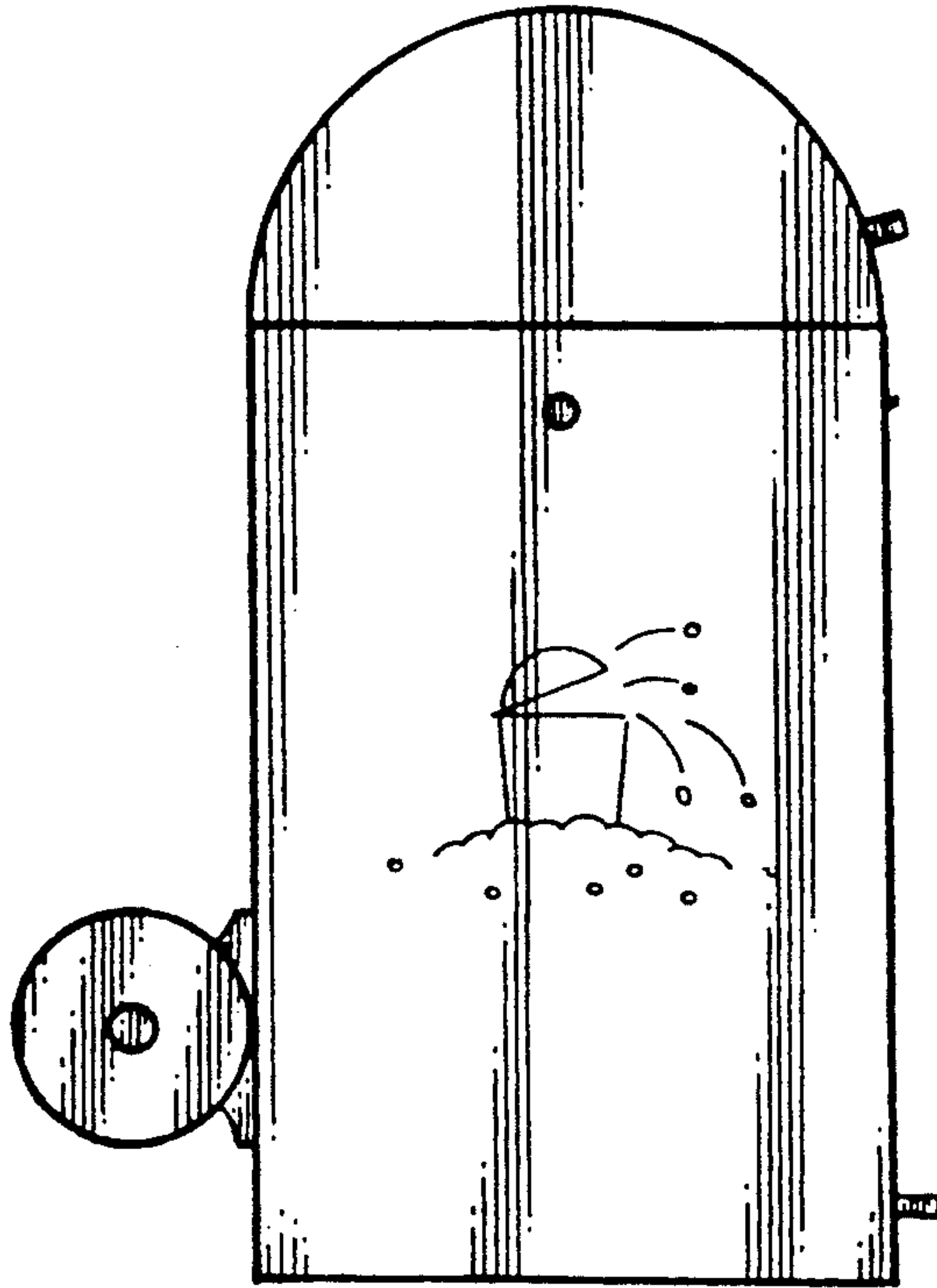


FIG. 4

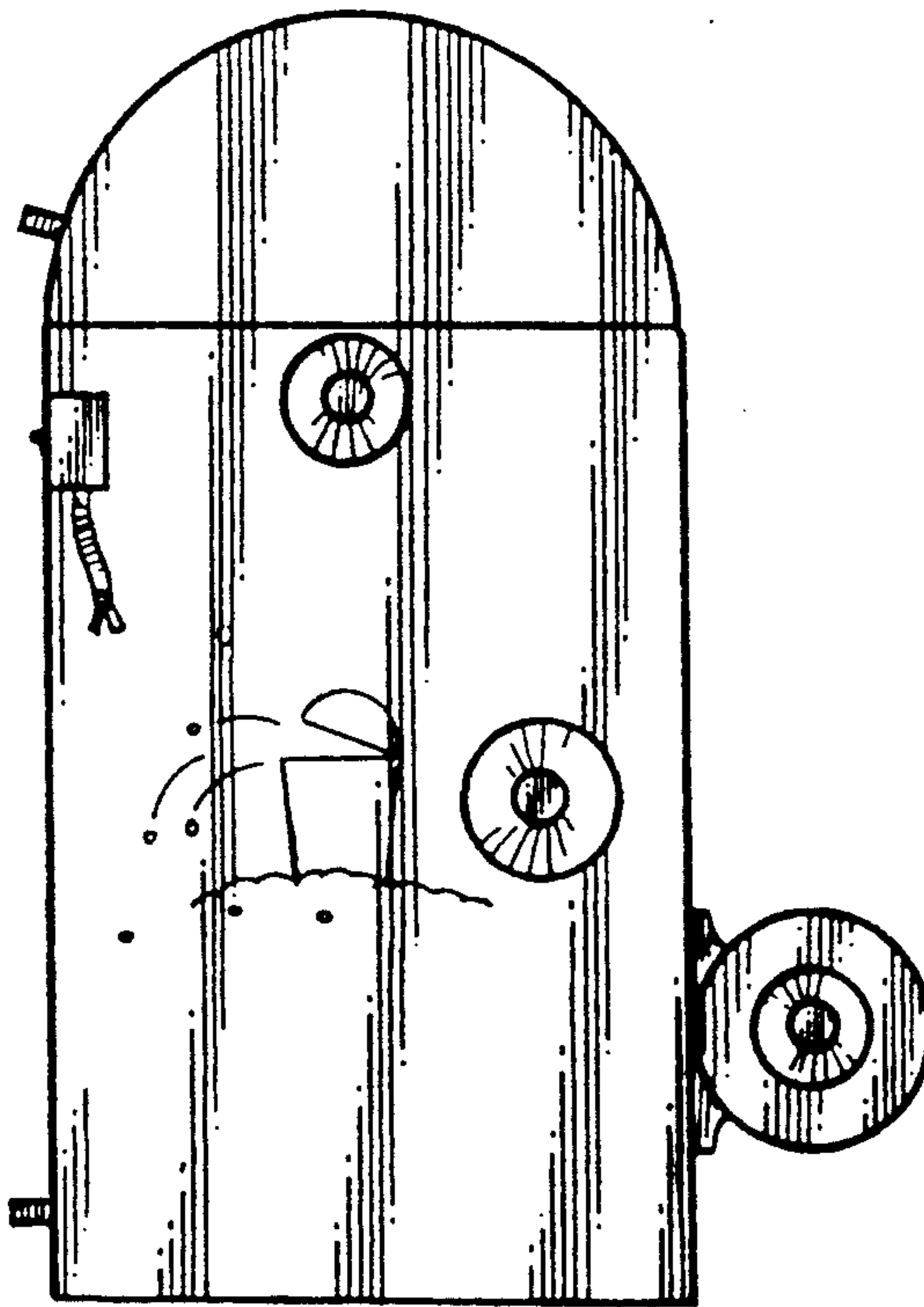


FIG. 5

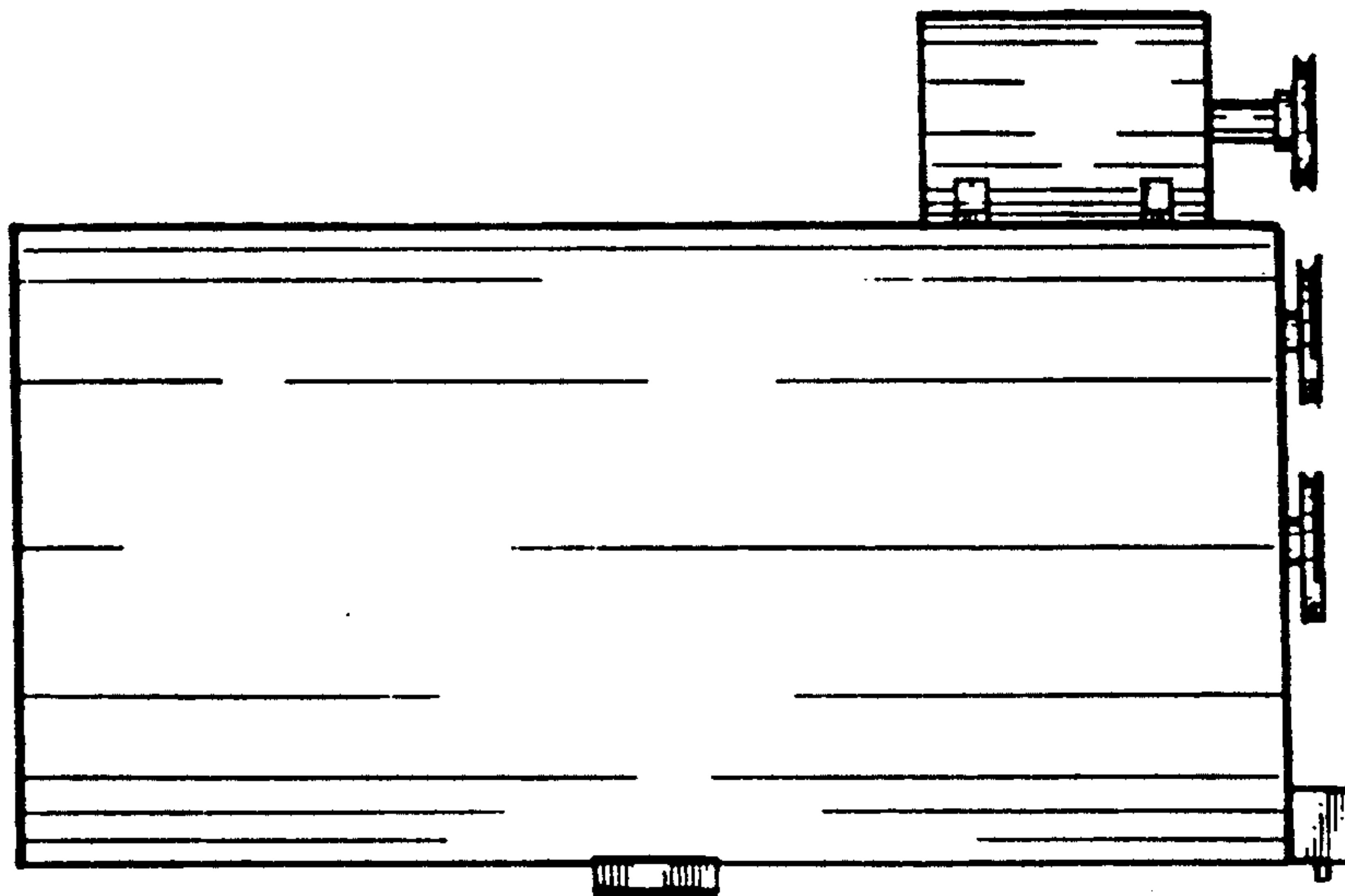


FIG. 6

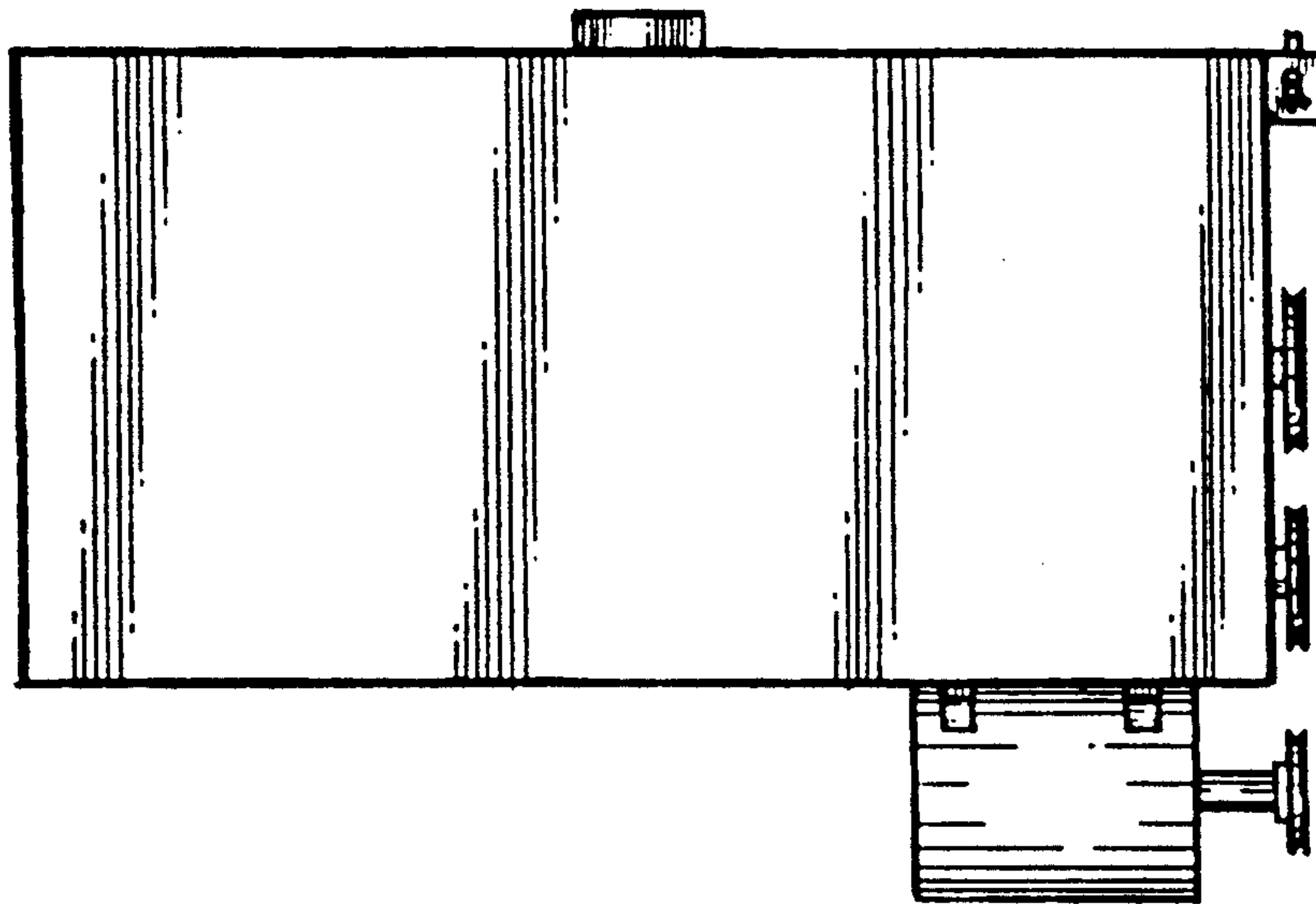


FIG. 7