



US00D343981S

# United States Patent [19]

[11] Patent Number: **Des. 343,981**

Ferrara, Jr.

[45] Date of Patent: **\*\* Feb. 8, 1994**

[54] **COFFEEMAKER**

[75] Inventor: **Daniel R. Ferrara, Jr., Bantam, Conn.**

[73] Assignee: **Conair Corporation, Stamford, Conn.**

[\*\*] Term: **14 Years**

[21] Appl. No.: **878,840**

[22] Filed: **May 5, 1992**

[52] U.S. Cl. .... **D7/309; D7/310; D7/311**

[58] Field of Search ..... **D7/300, 308, 309, 310, D7/311, 305; 99/279, 293, 295**

[56] **References Cited**

### U.S. PATENT DOCUMENTS

D. 241,219	8/1976	Martin	.....	D7/309
D. 250,195	11/1978	Salmans et al.	.....	D7/311
D. 255,120	5/1980	Bardeau	.....	D7/309
D. 286,848	11/1986	Levin	.....	D7/309
D. 288,885	3/1987	Kahlcke	.....	D7/309
D. 295,888	5/1988	Schulein et al.	.....	D7/310 X
D. 299,608	1/1989	Knochner	.....	D7/310 X

D. 311,298	10/1990	Mollenhoff	.....	D7/310 X
D. 311,845	11/1990	Downie	.....	D7/310 X
D. 335,421	5/1993	Glassen	.....	D7/300 X
D. 336,004	6/1993	Kahlcke	.....	D7/311 X

### OTHER PUBLICATIONS

Go Pot, Handsome Rewards.

*Primary Examiner*—Nelson C. Holtje

*Assistant Examiner*—M. N. Pandozzi

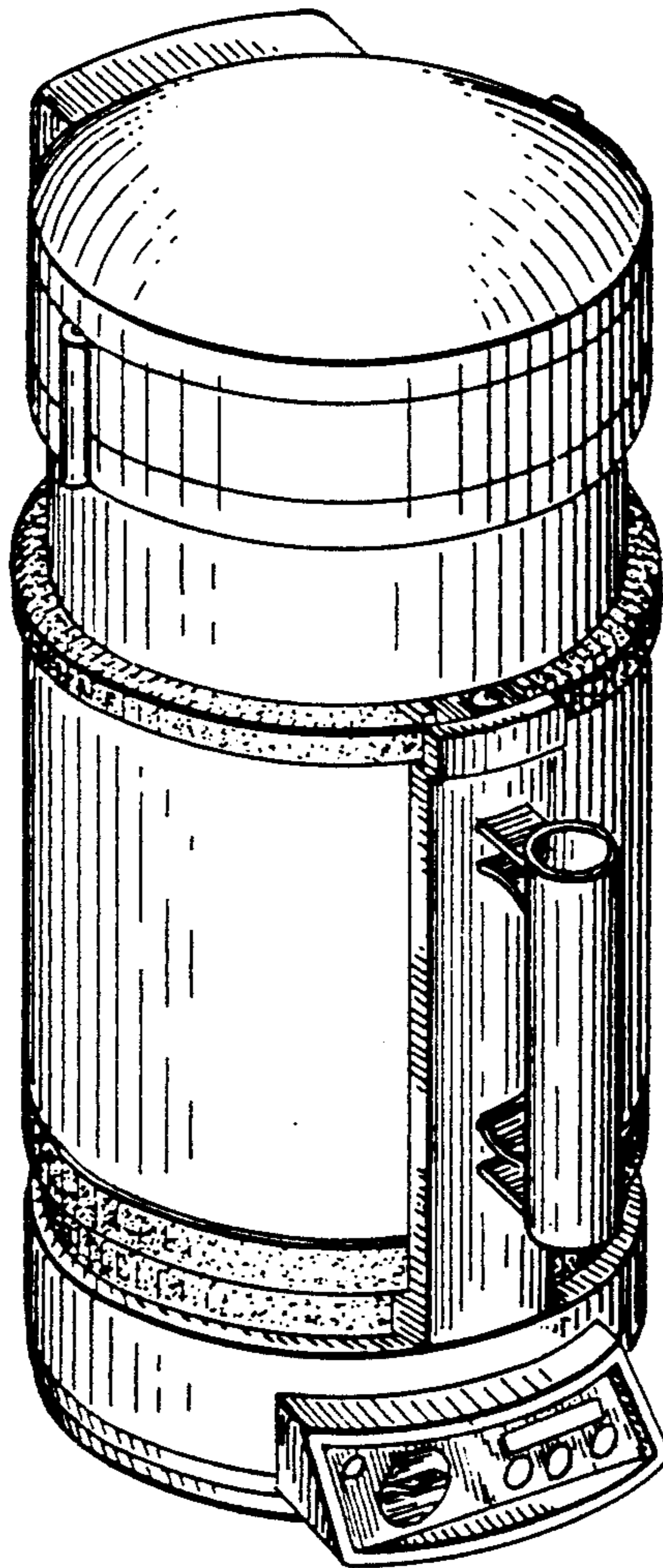
*Attorney, Agent, or Firm*—Haynes N. Johnson

[57] **CLAIM**

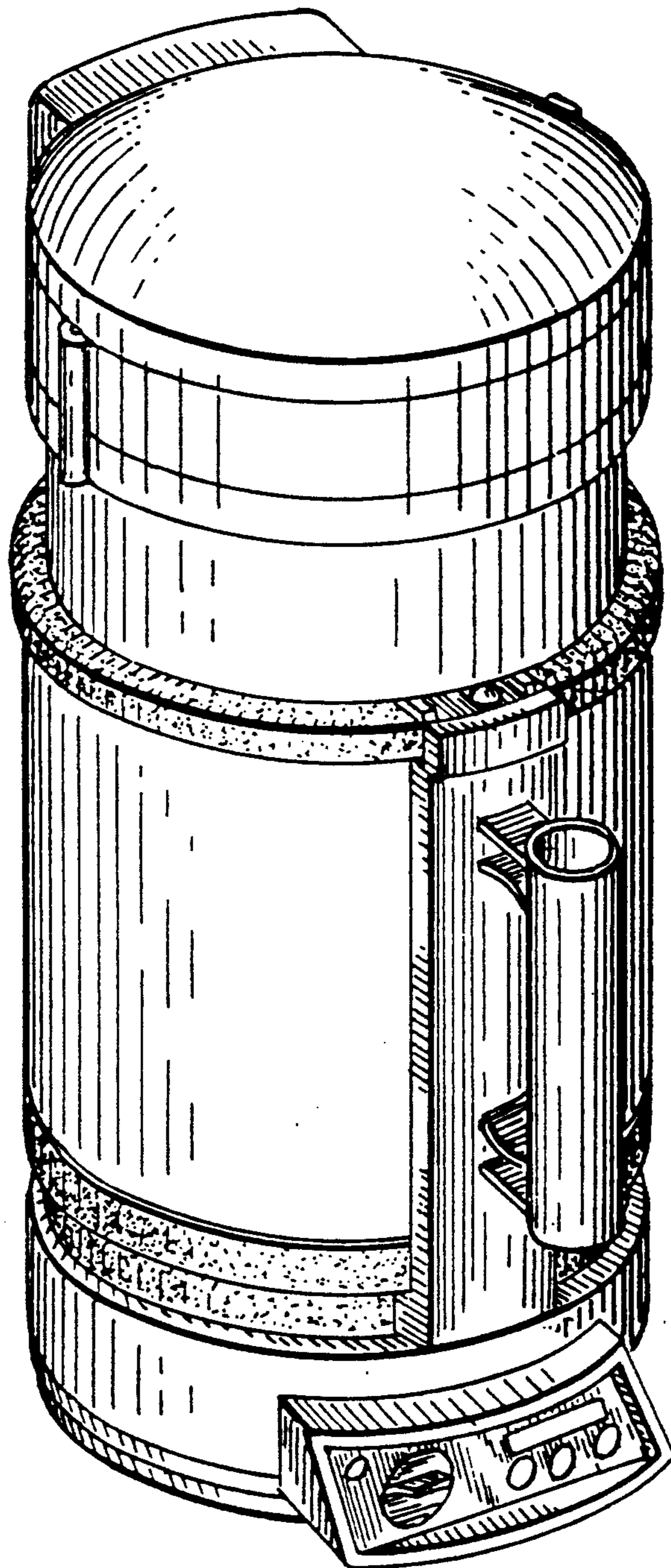
The ornamental design for a coffeemaker, as shown and described.

### DESCRIPTION

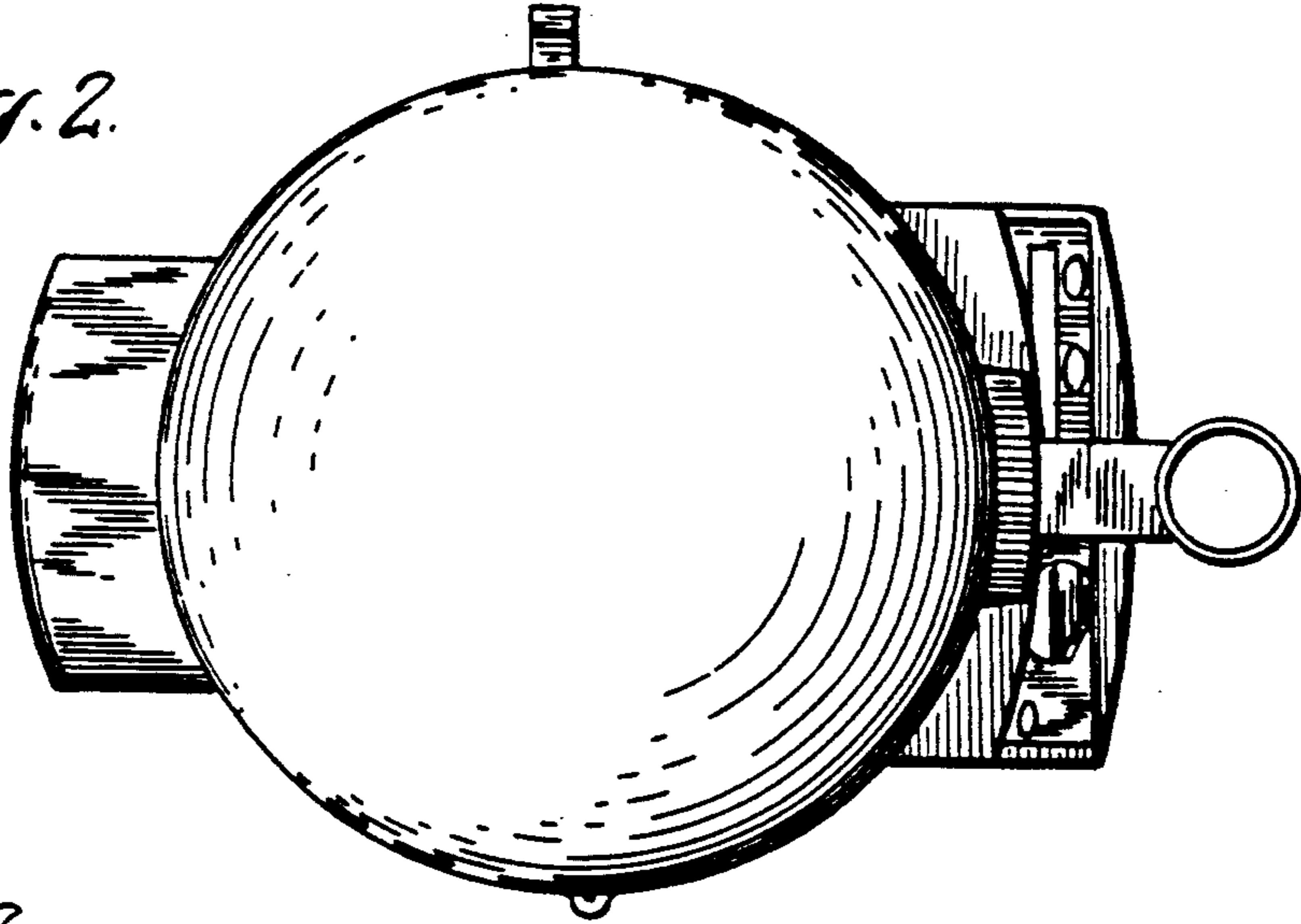
FIG. 1 is a perspective view of a coffeemaker, showing my new design;  
 FIG. 2 is a top plan view thereof;  
 FIG. 3 is a right side elevation thereof;  
 FIG. 4 is a front elevation thereof;  
 FIG. 5 is a left side elevation thereof;  
 FIG. 6 is a rear elevation thereof; and,  
 FIG. 7 is a bottom plan view thereof.



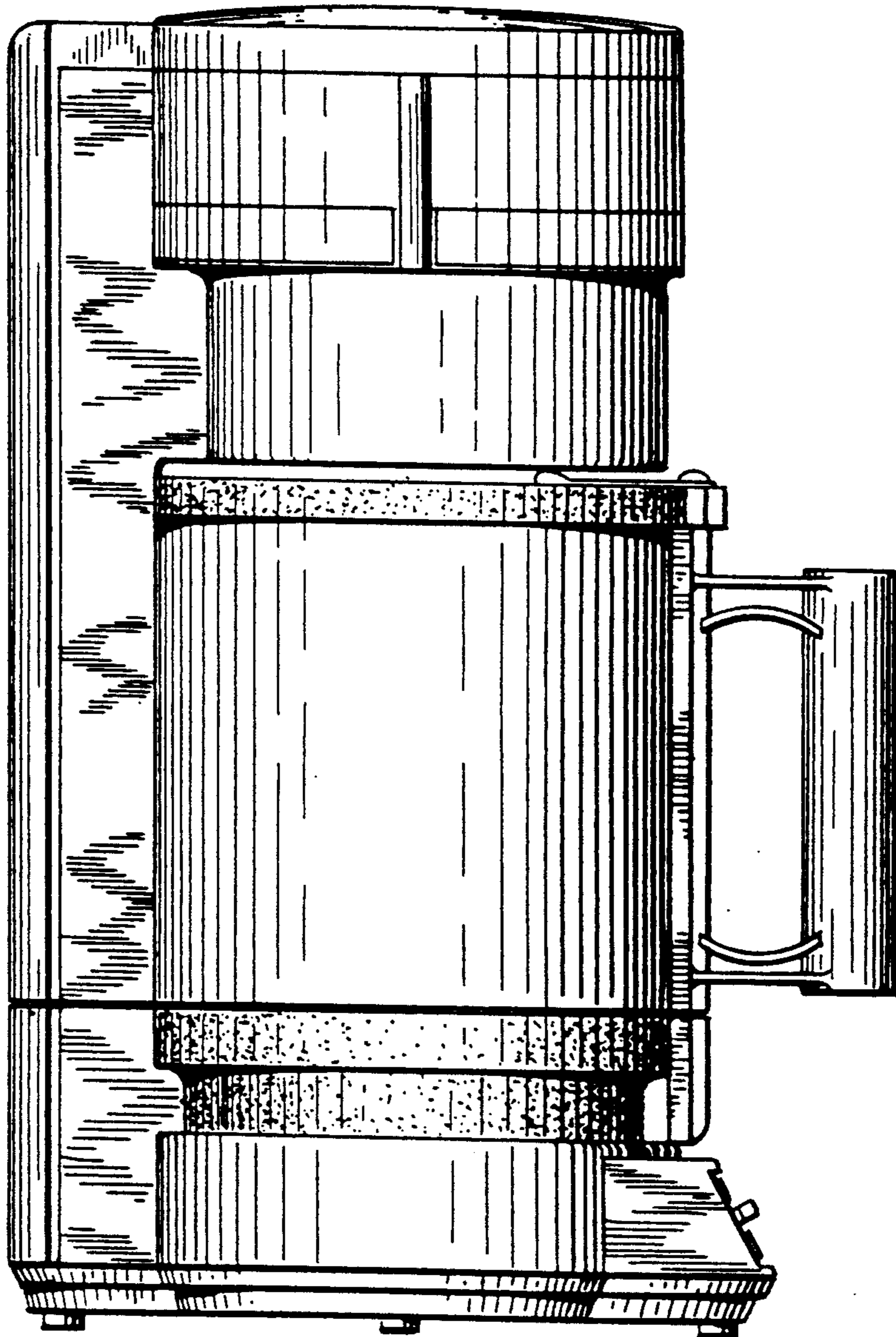
*Fig. 1.*



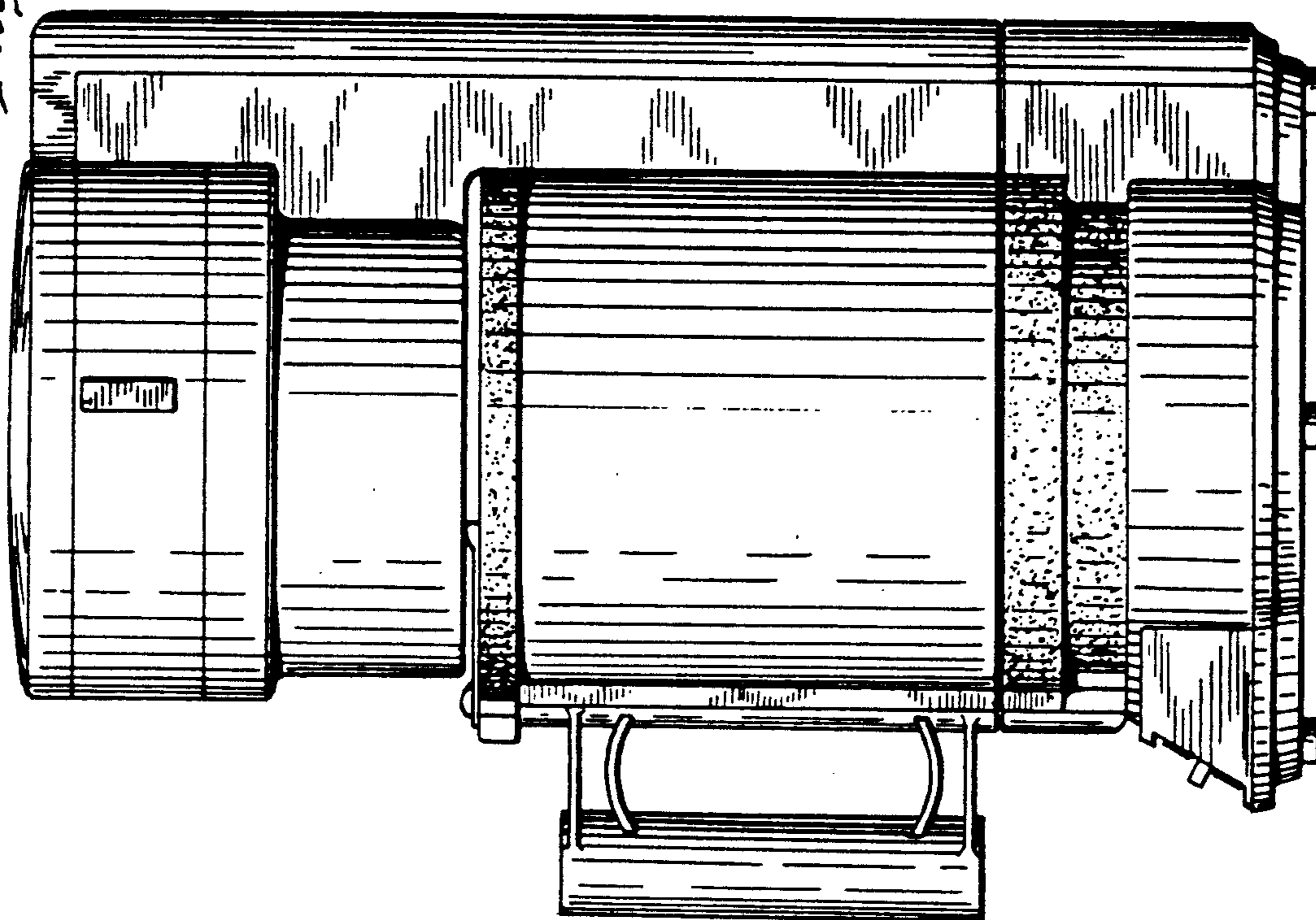
*Fig. 2.*



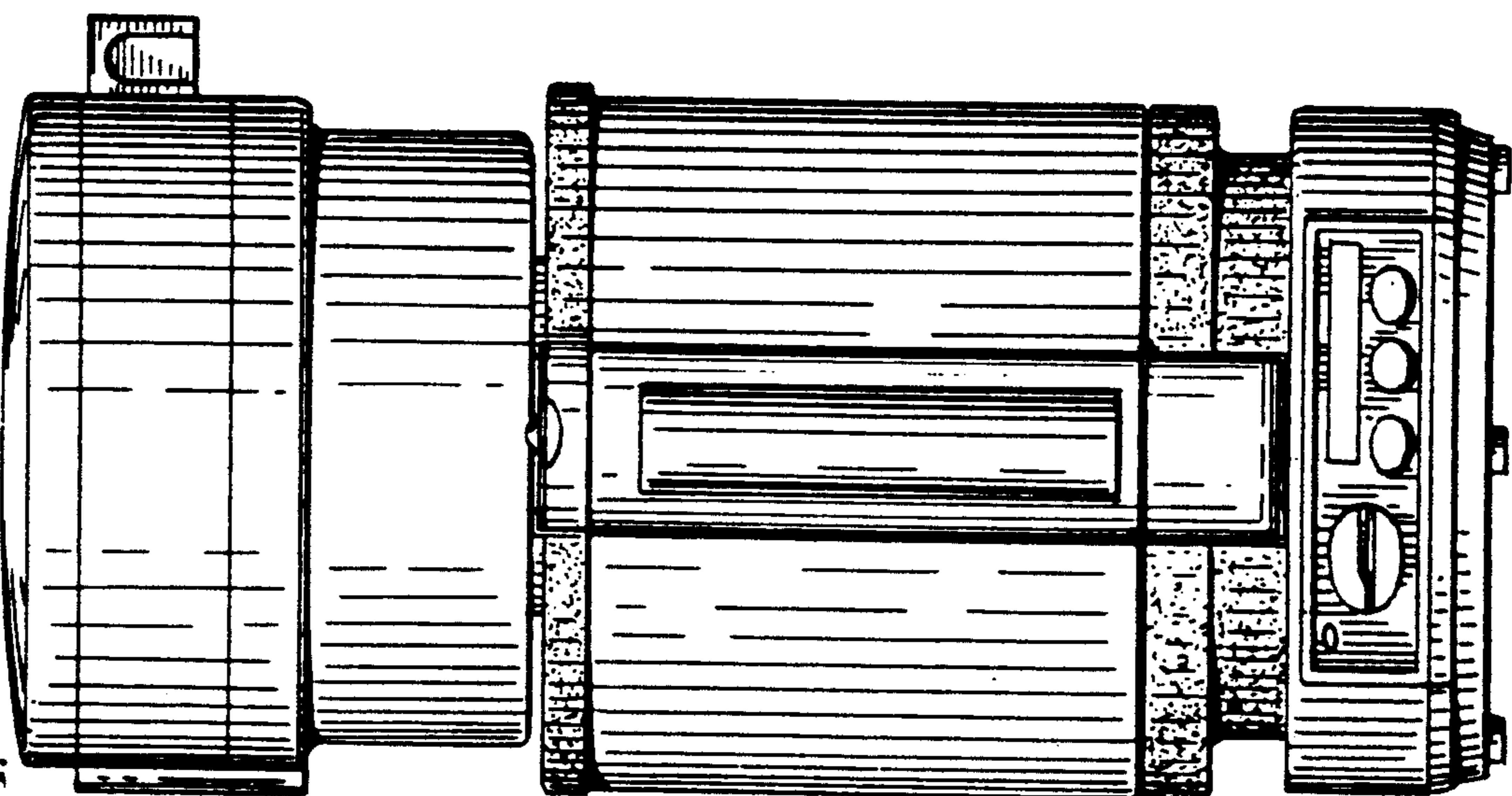
*Fig. 3.*



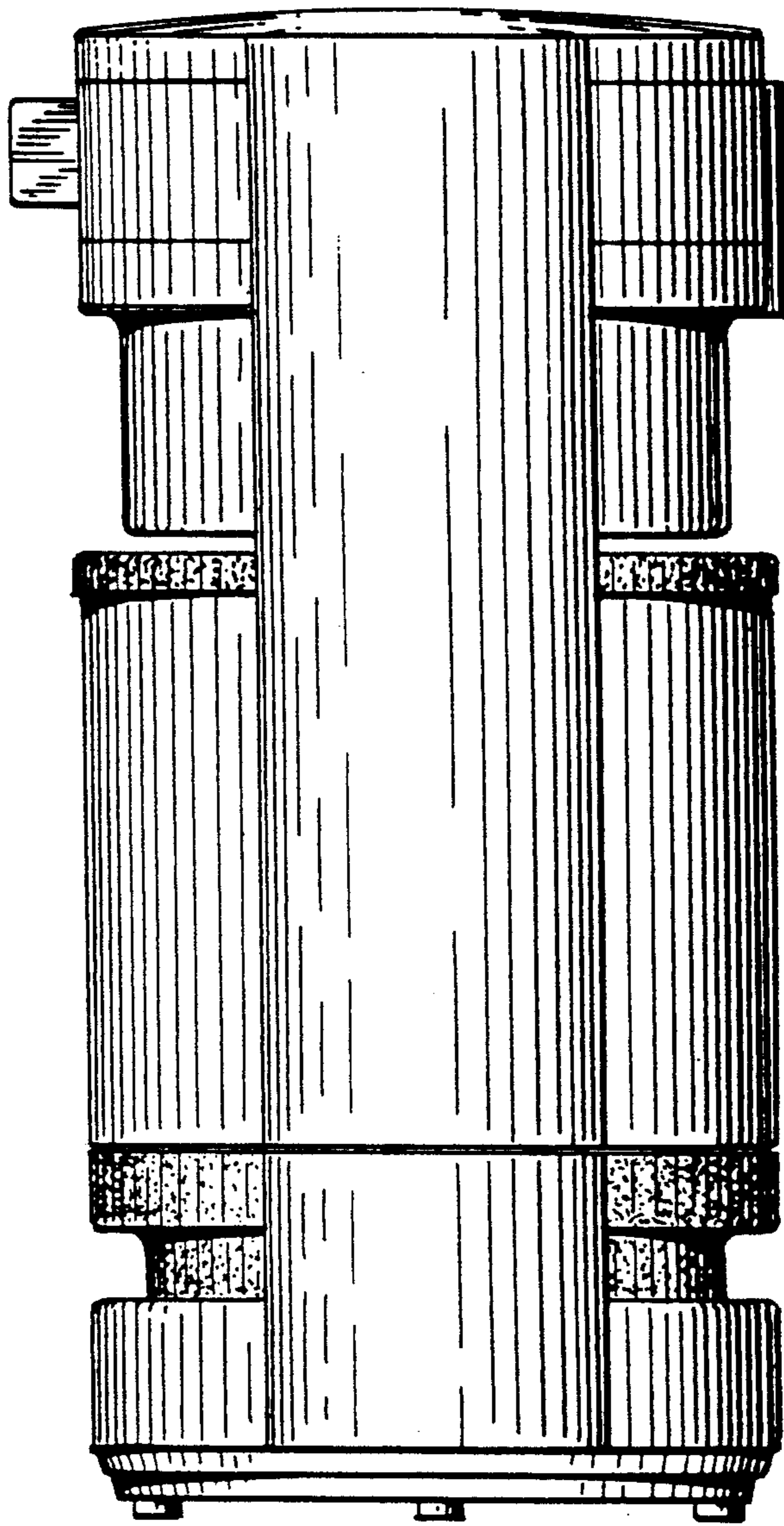
*Fig. 5.*



*Fig. 4.*



*Fig. 6.*



*Fig. 7.*

