



US00D343979S

United States Patent [19]

[11] Patent Number: **Des. 343,979**

Rapp et al.

[45] Date of Patent: **** Feb. 8, 1994**

[54] LADDER TAPE FIXER

5,074,351 12/1991 Sandler 160/178.1
5,090,467 2/1992 Snuckler 160/178.1 XL

[75] Inventors: **William H. Rapp**, Buena Park, Calif.;
Ira Gaber, West Norwalk, Conn.;
Cooper C. Woodring, Topeka, Kans.

Primary Examiner—Nelson C. Holtje
Assistant Examiner—Antoine D. Davis
Attorney, Agent, or Firm—Bacon & Thomas

[73] Assignee: **Nien Made Enterprise Co., Ltd.**,
Chang Hua, Taiwan

[57] **CLAIM**

[**] Term: **14 Years**

The ornamental design of a ladder tape fixer, as shown and described.

[21] Appl. No.: **2,130**

[22] Filed: **Dec. 4, 1992**

DESCRIPTION

[52] U.S. Cl. **D6/581; D6/580**

FIG. 1 is a top left perspective view of a ladder tape fixer showing my design;

[58] Field of Search **D6/580, 581; 160/105,**
160/173, 175, 177, 178.1, 178.3

FIG. 2 is a front elevational view, the rear elevational view being a mirror image;

FIG. 3 is a side elevational view, the opposite side being a mirror image;

FIG. 4 is a top plan view thereof; and,

FIG. 5 is a bottom plan view thereof.

[56] **References Cited**

U.S. PATENT DOCUMENTS

4,635,698 1/1987 Anderson 160/178.2

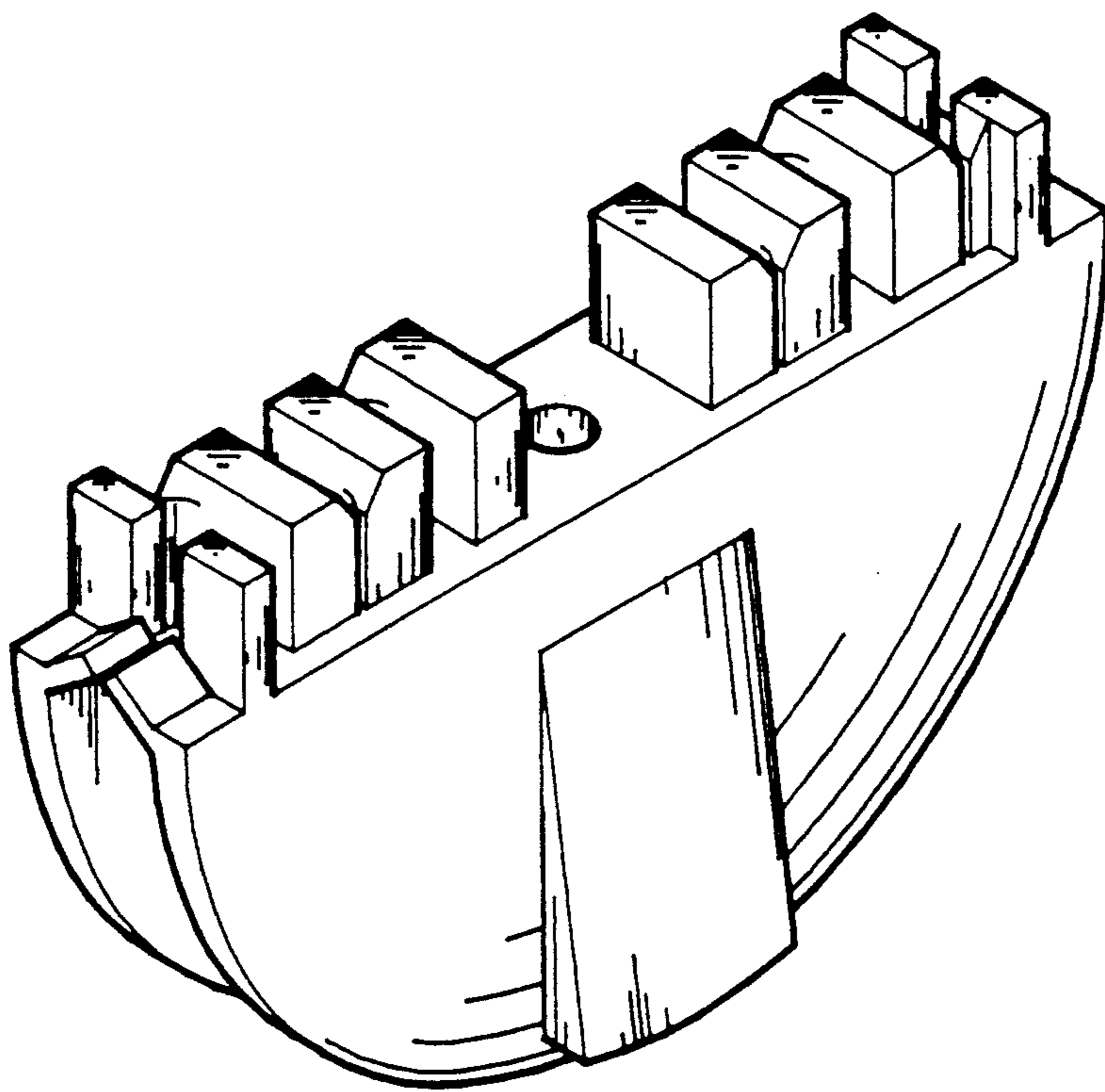


FIG. 1

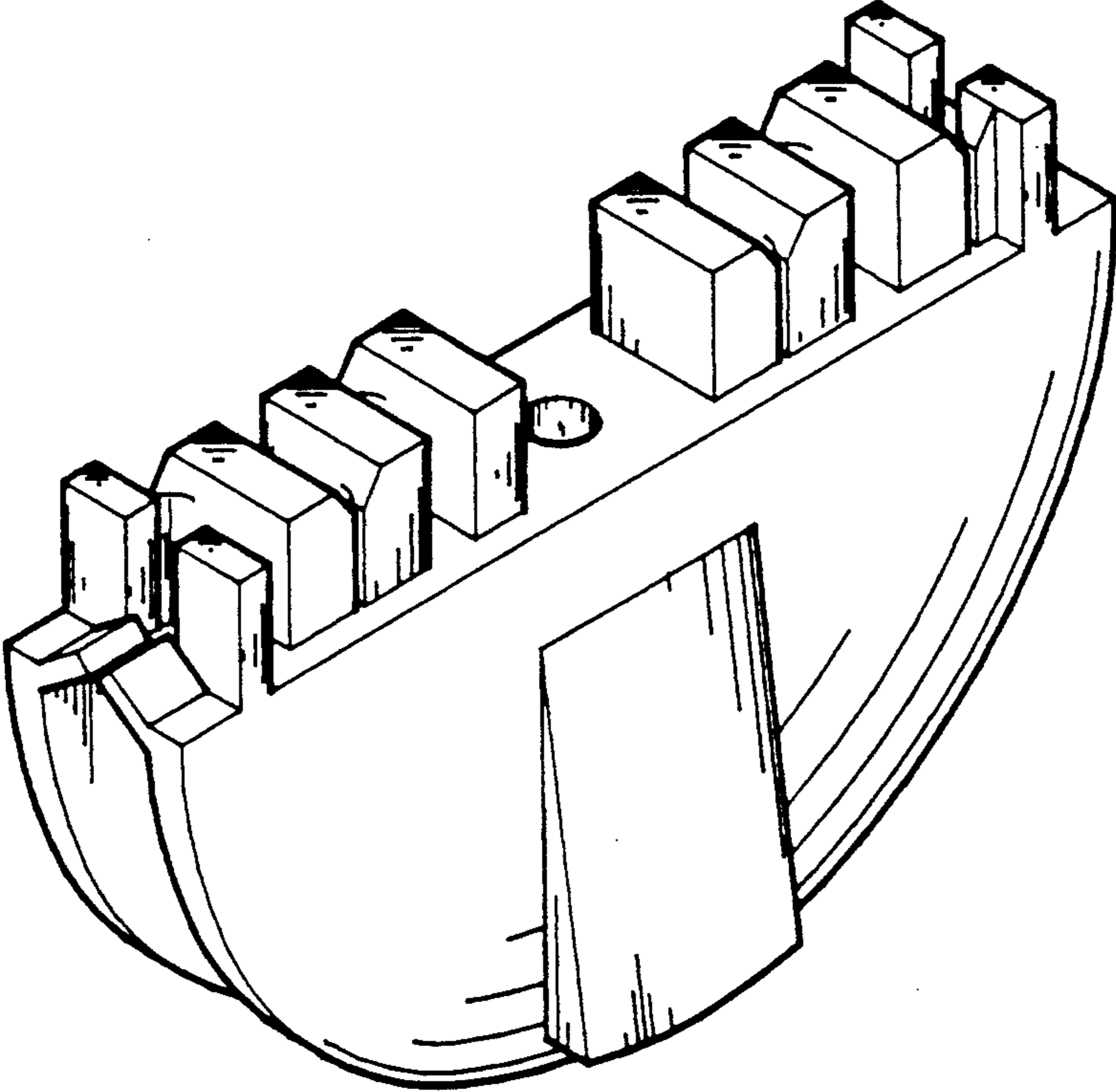


FIG. 4

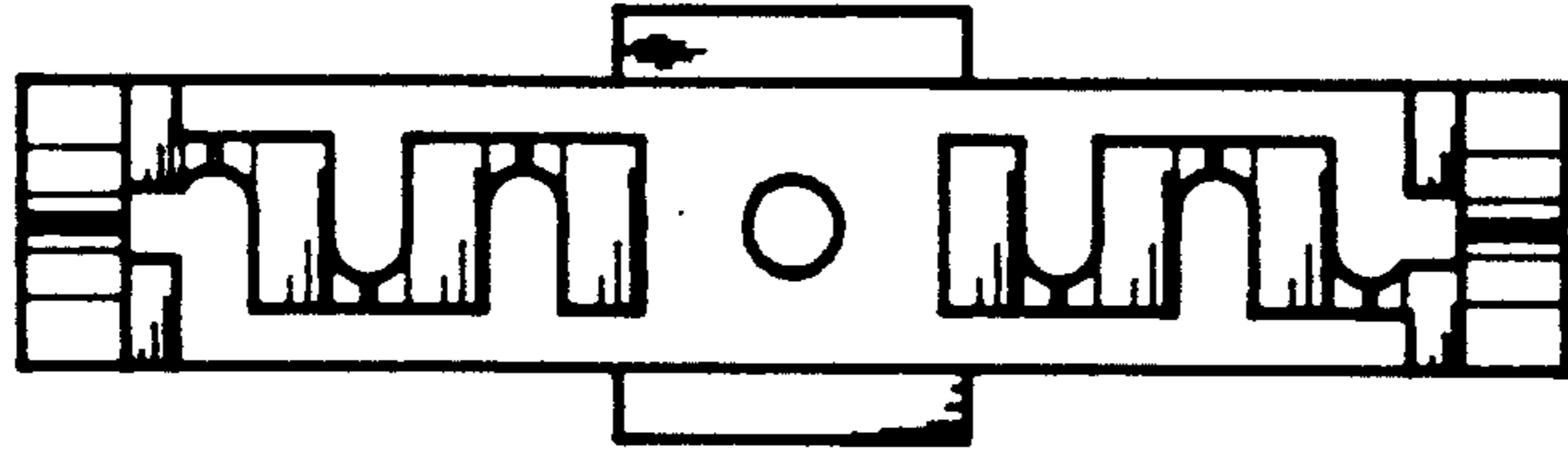


FIG. 2

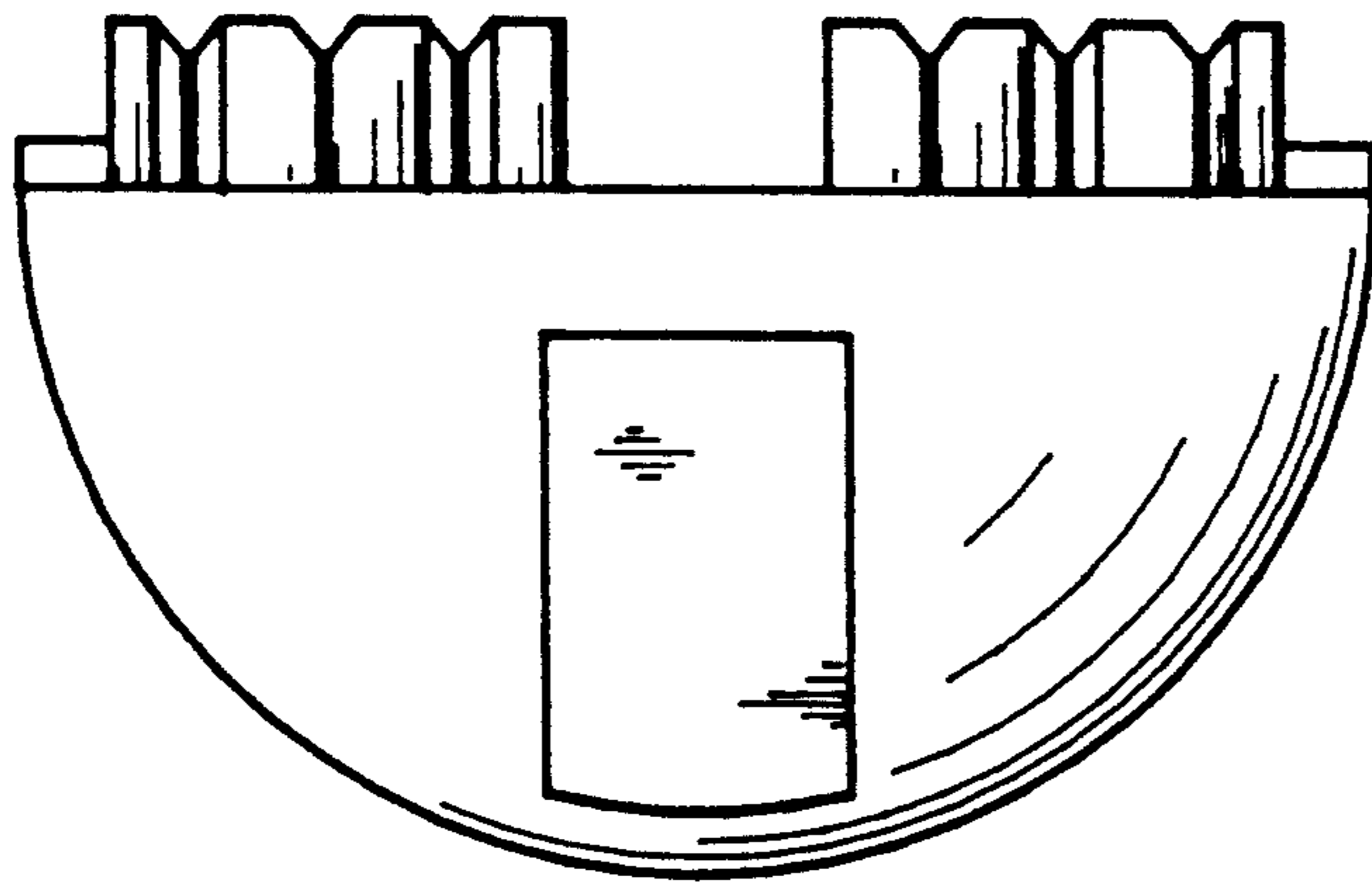


FIG. 3

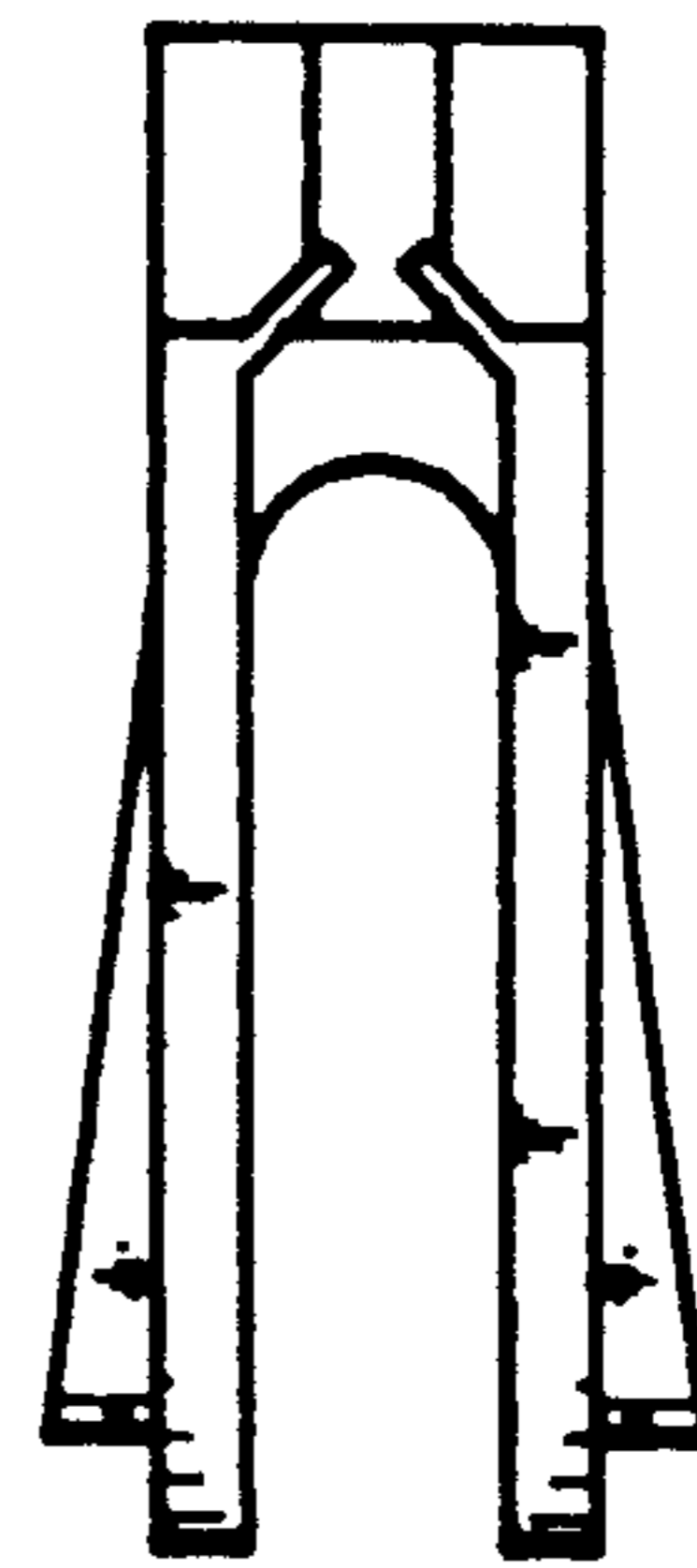


FIG. 5

