



US00D343976S

United States Patent [19]

[11] Patent Number: **Des. 343,976**

Chow

[45] Date of Patent: **** Feb. 8, 1994**

[54] **TOOL DISPLAY RACK**

[76] Inventor: **Jessie Chow**, 15-30, Kuangming Rd., Taichung, Taiwan

[**] Term: **14 Years**

[21] Appl. No.: **2,134**

[22] Filed: **Nov. 30, 1992**

[52] U.S. Cl. **D6/571**

[58] Field of Search **D6/567, 569-572; D8/367, 373; 211/86-87, 113, 60.1, 70.6**

[56] **References Cited**

U.S. PATENT DOCUMENTS

Re. 24,862	8/1960	Odlum et al.	211/87
D. 260,829	9/1981	Creamer	D6/569 X
D. 273,262	4/1984	Wolff	D6/567 X
D. 294,791	3/1988	Loscalzo et al.	D6/569
D. 310,762	9/1990	Embree et al.	D6/569
D. 336,399	6/1993	Jureckson	D6/570
4,586,616	5/1986	Cooper et al.	211/87

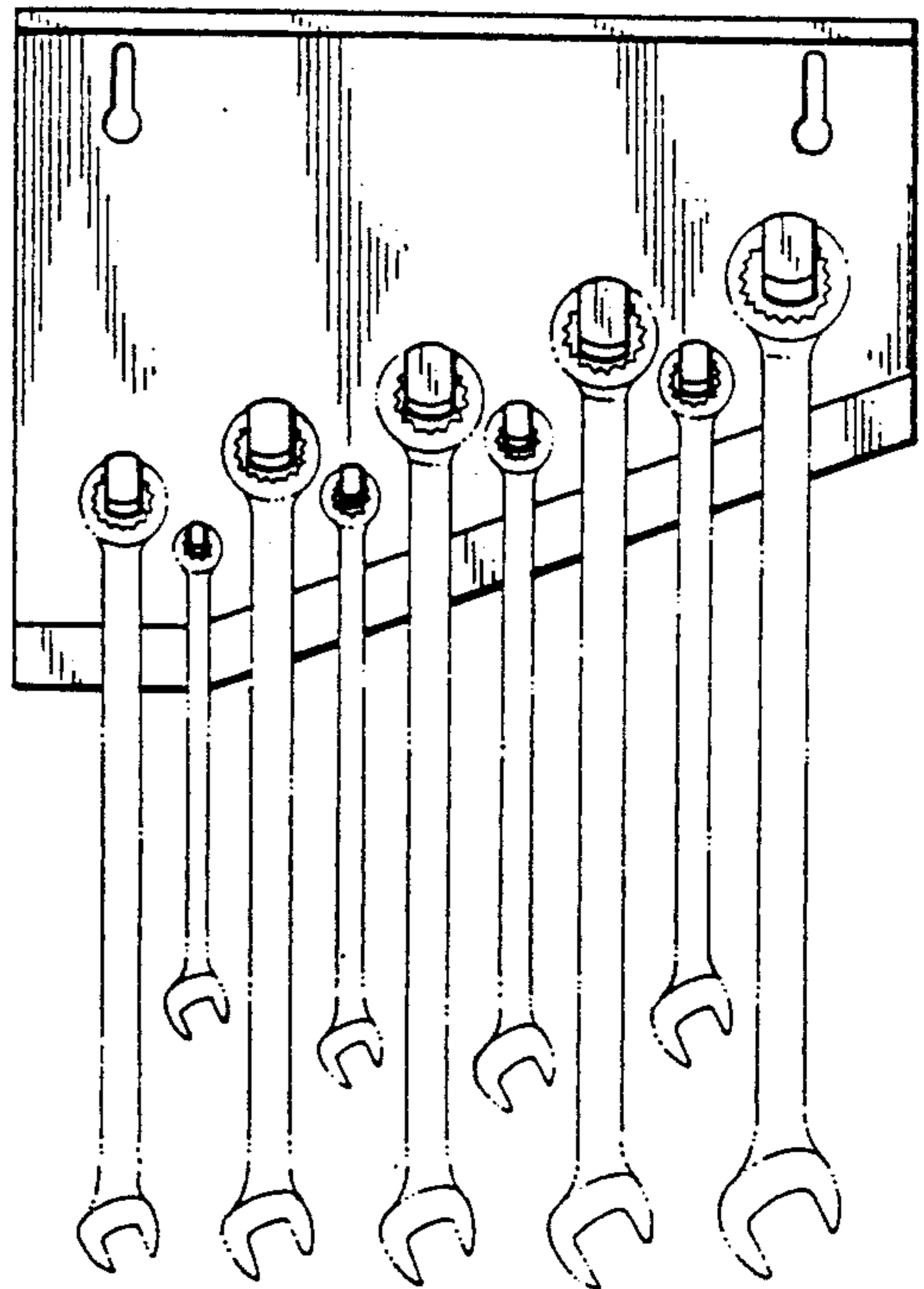
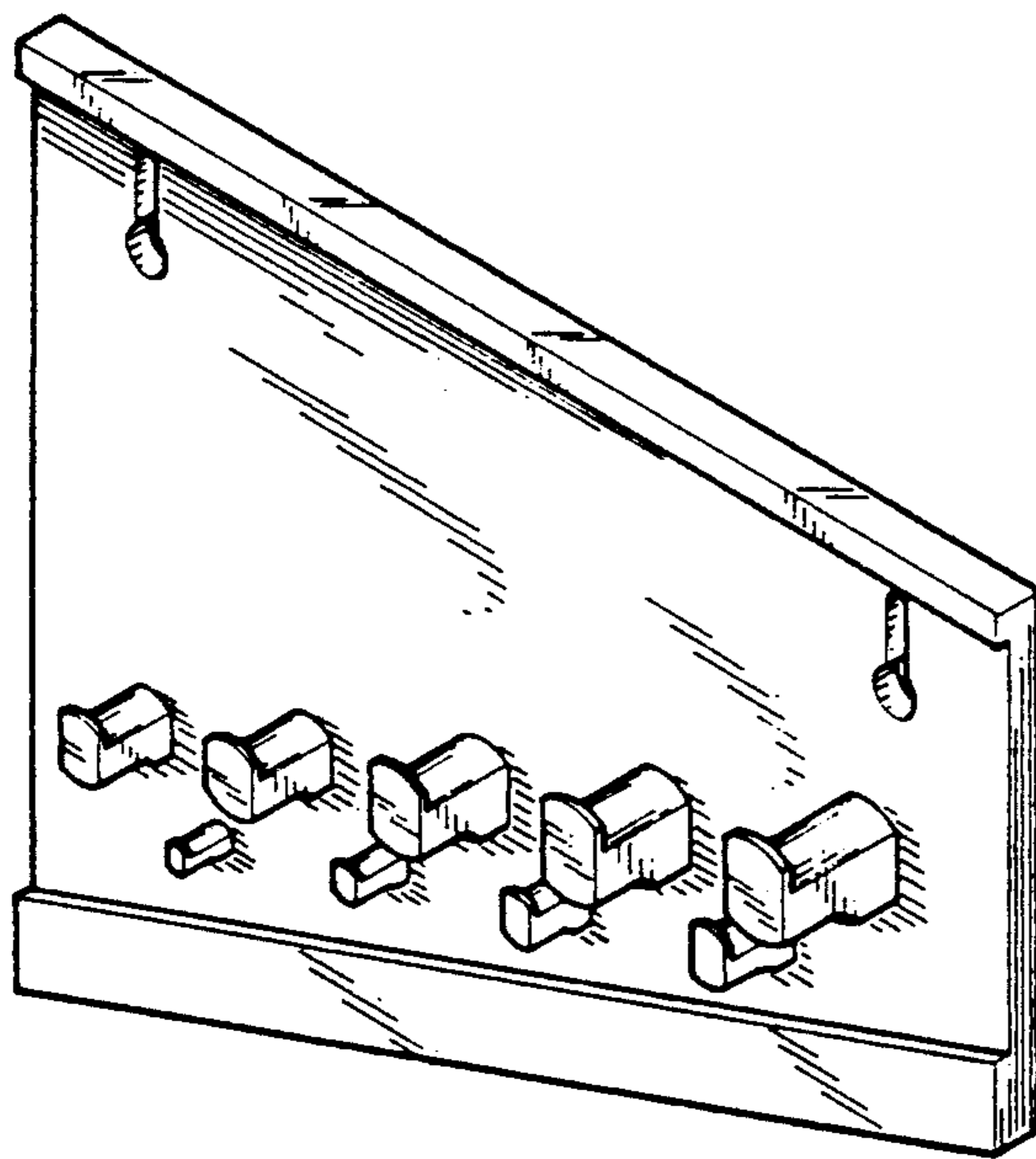
Primary Examiner—Brian N. Vinson
Attorney, Agent, or Firm—Peterson, Wicks, Nemer & Kamrath

[57] **CLAIM**

The ornamental design for a tool display rack, as shown and described.

DESCRIPTION

FIG. 1 is a perspective view of a tool display rack showing my new design;
FIG. 2 is a front elevational view thereof;
FIG. 3 is a rear elevational view thereof;
FIG. 4 is a top plan view thereof;
FIG. 5 is a bottom plan view thereof;
FIG. 6 is a left side elevational view thereof;
FIG. 7 is a right side elevational view thereof; and,
FIG. 8 is a front elevational view thereof, the broken-line disclosure of several wrenches being for illustrative purposes only and forming no part of the claimed design.



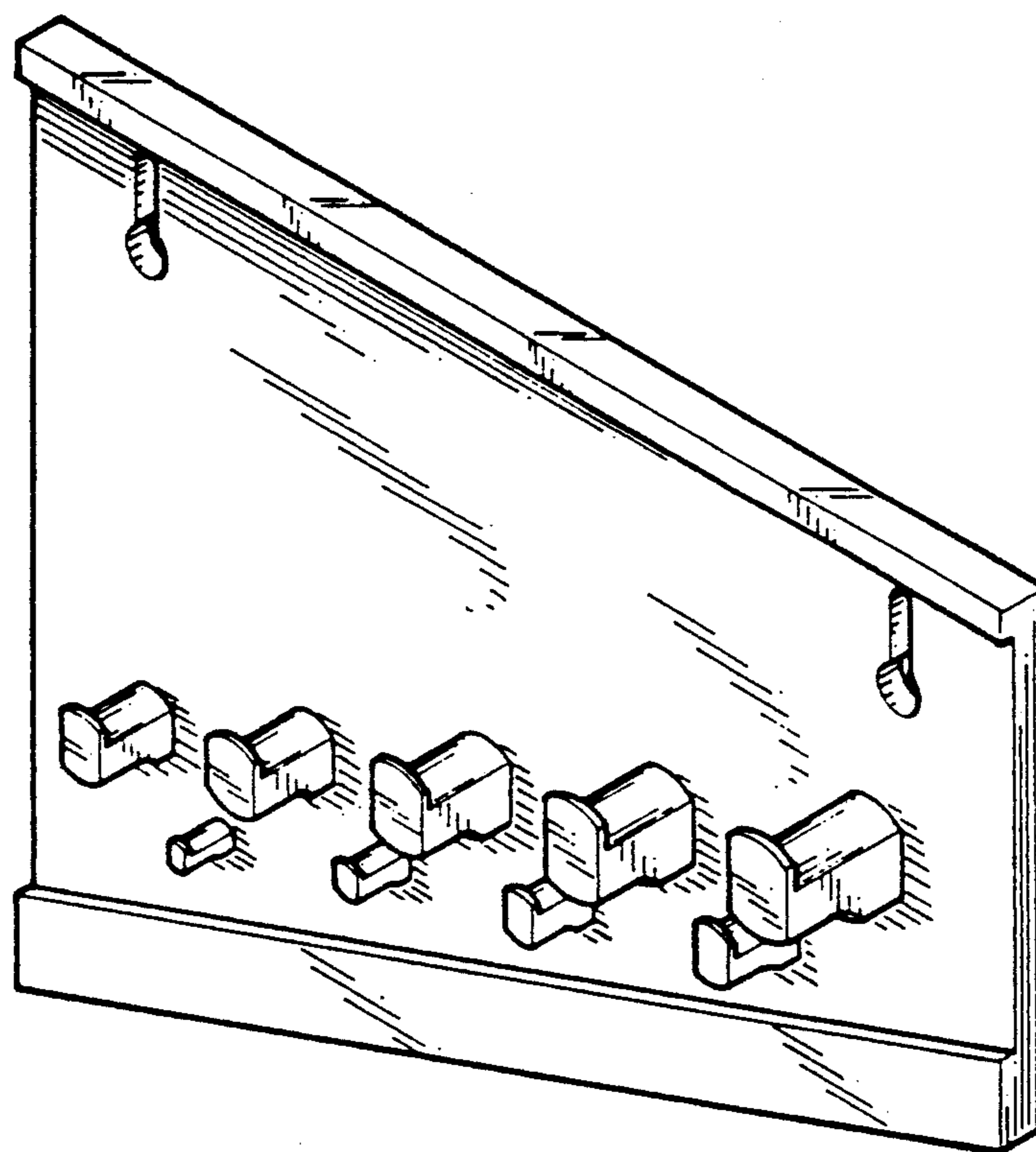


FIG. 1

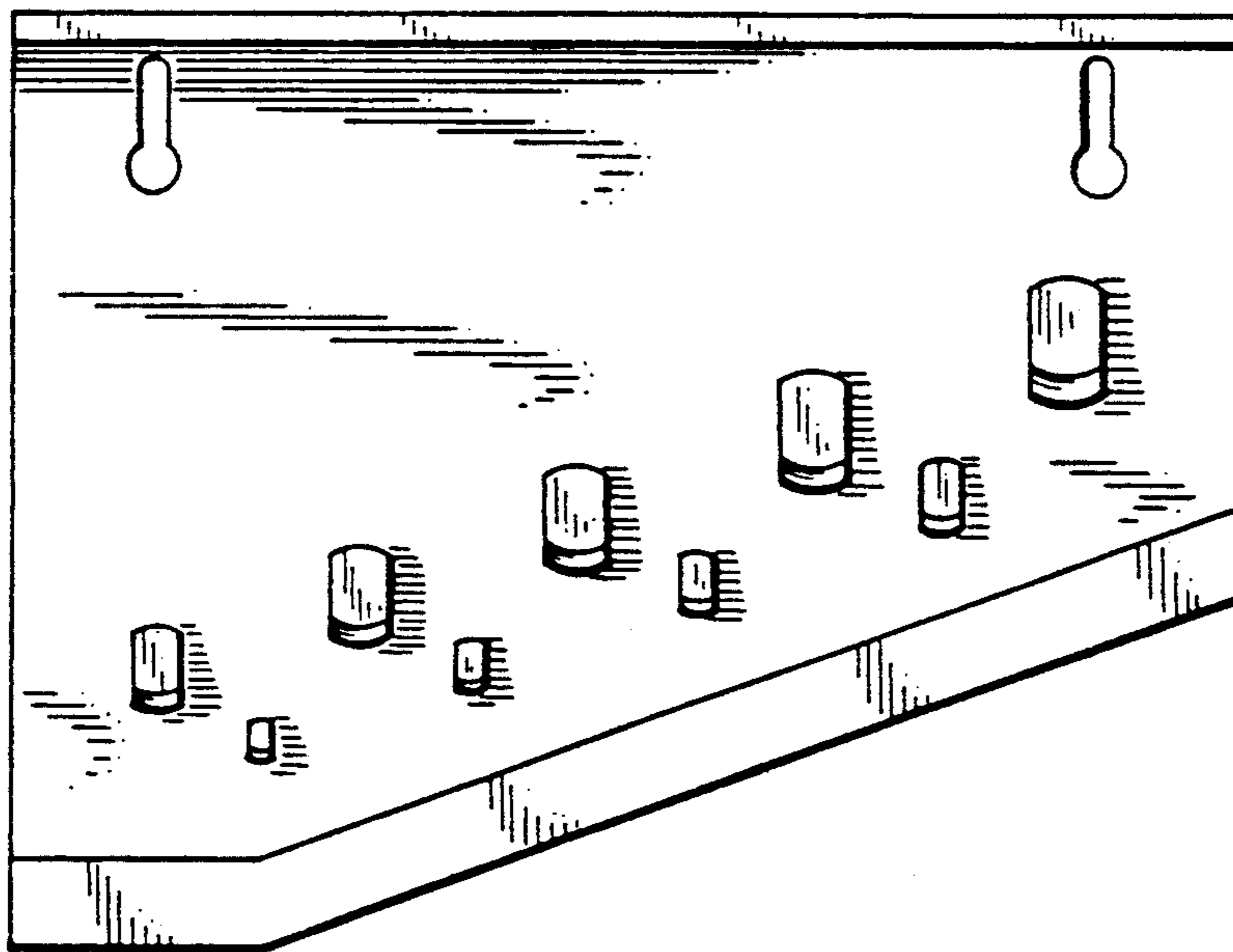


FIG. 2

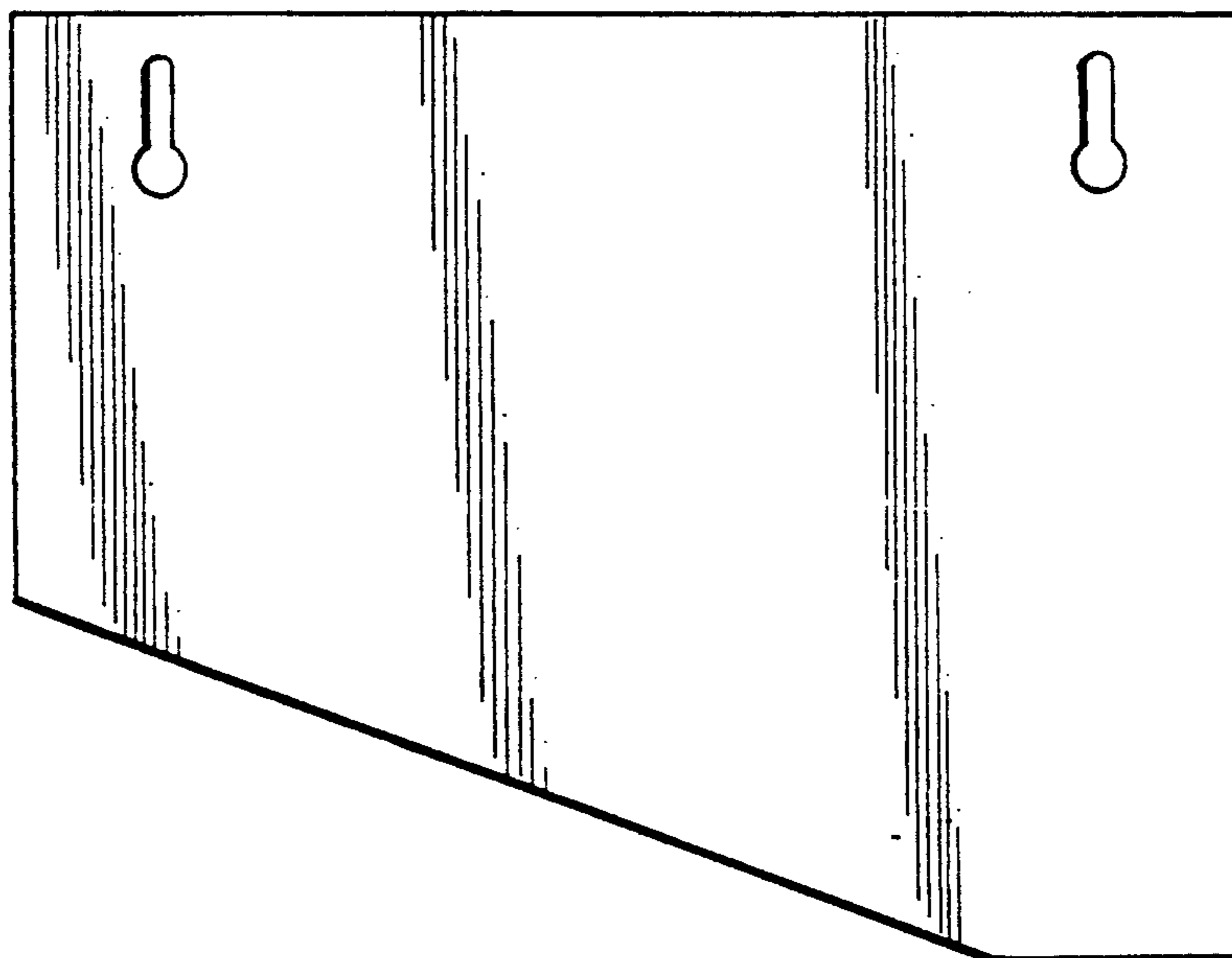


FIG. 3

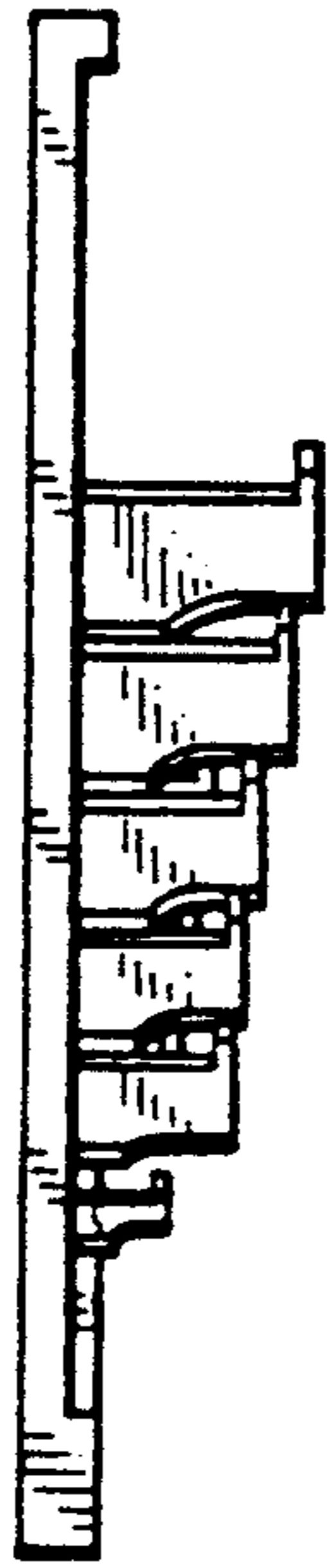


FIG. 4

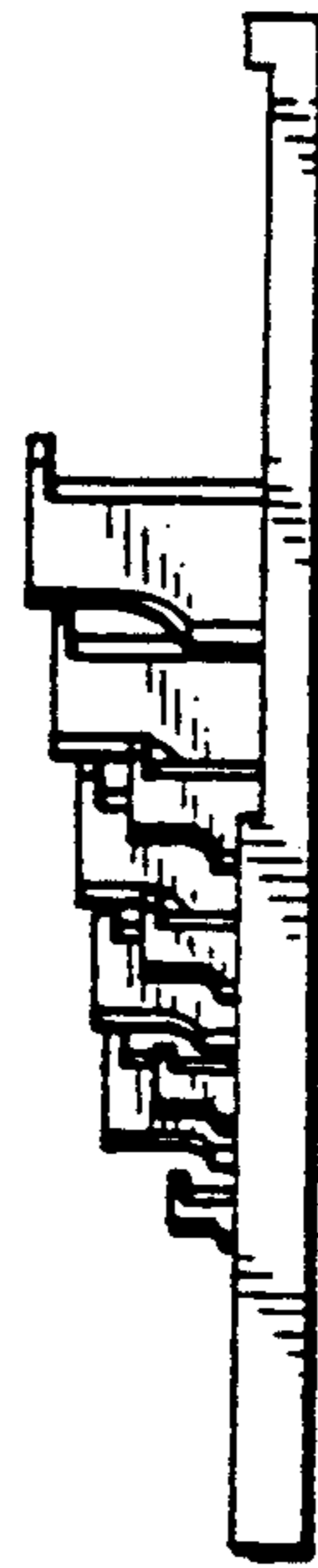


FIG. 5

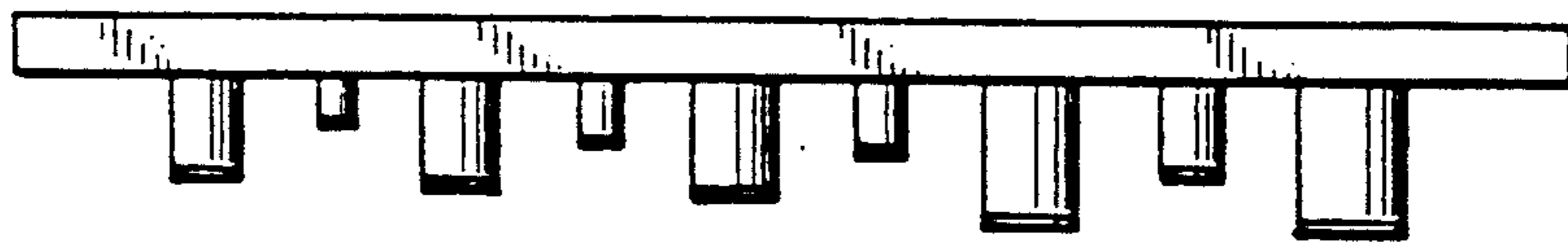


FIG. 6

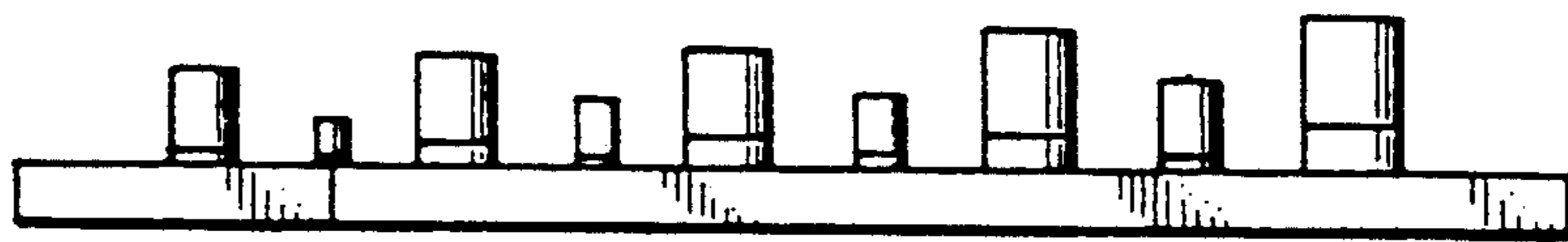


FIG. 7

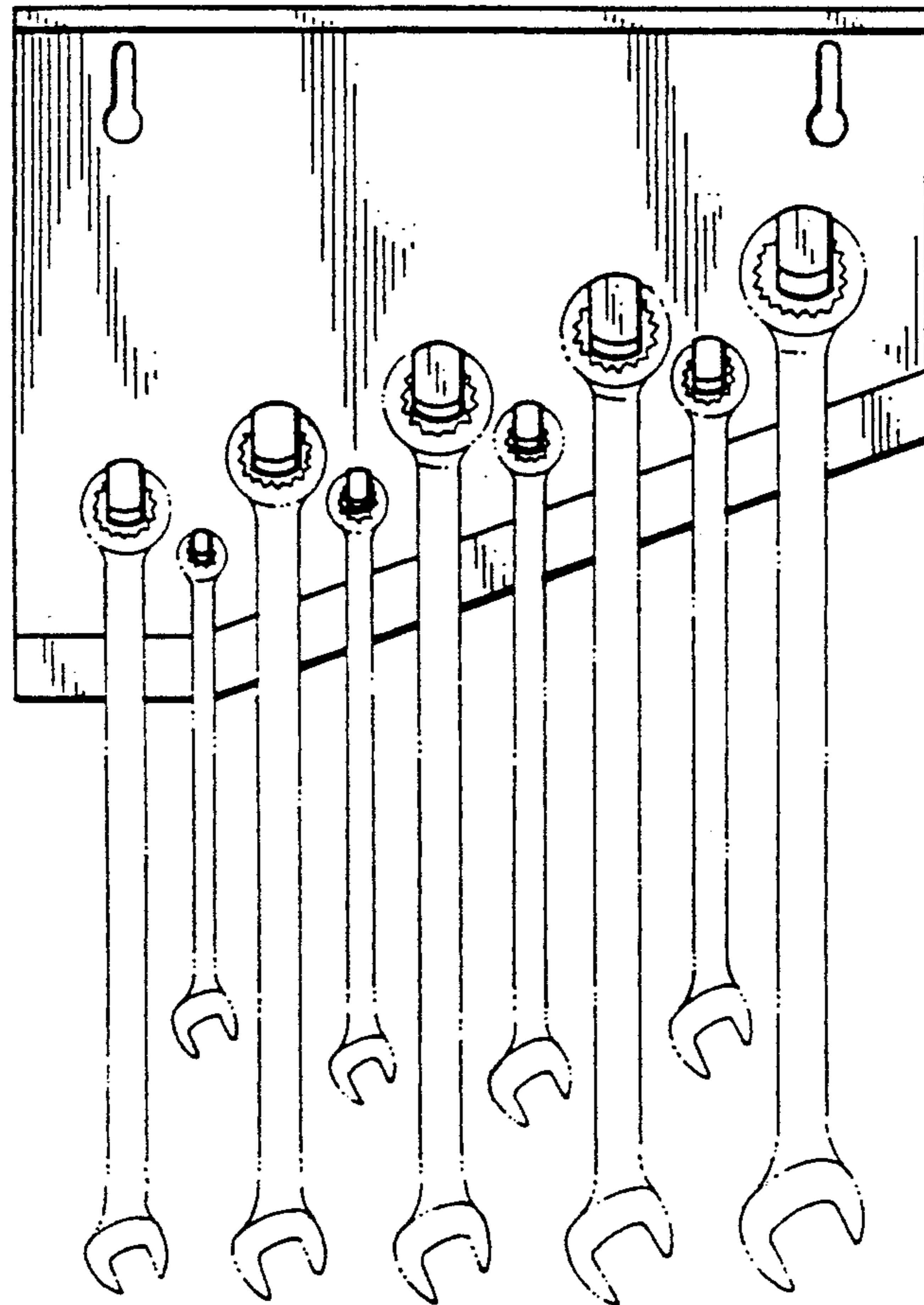


FIG. 8