



US00D343974S

United States Patent [19]

[11] Patent Number: **Des. 343,974**

Sz-Hsing

[45] Date of Patent: **** Feb. 8, 1994**

[54] **COMBINATION TOILETRY DISPENSING AND TOILET ARTICLE SUPPORT UNIT**

D. 324,619	3/1992	Comstock et al.	D6/544
D. 331,165	11/1992	Rooks	D6/544
3,349,967	10/1967	Schneller	222/180 X
4,880,145	11/1989	McManus	222/181 X

[76] Inventor: **Tsai Sz-Hsing**, Suite 1, 11F, 95-8, Chang Ping Road Sec. 1, Taichung, Taiwan

Primary Examiner—Brian N. Vinson

[**] Term: **14 Years**

[57] **CLAIM**

[21] Appl. No.: **797,280**

The ornamental design for a combination toiletry dispensing and toilet article support unit, as shown.

[22] Filed: **Nov. 25, 1991**

DESCRIPTION

[52] U.S. Cl. **D6/524**

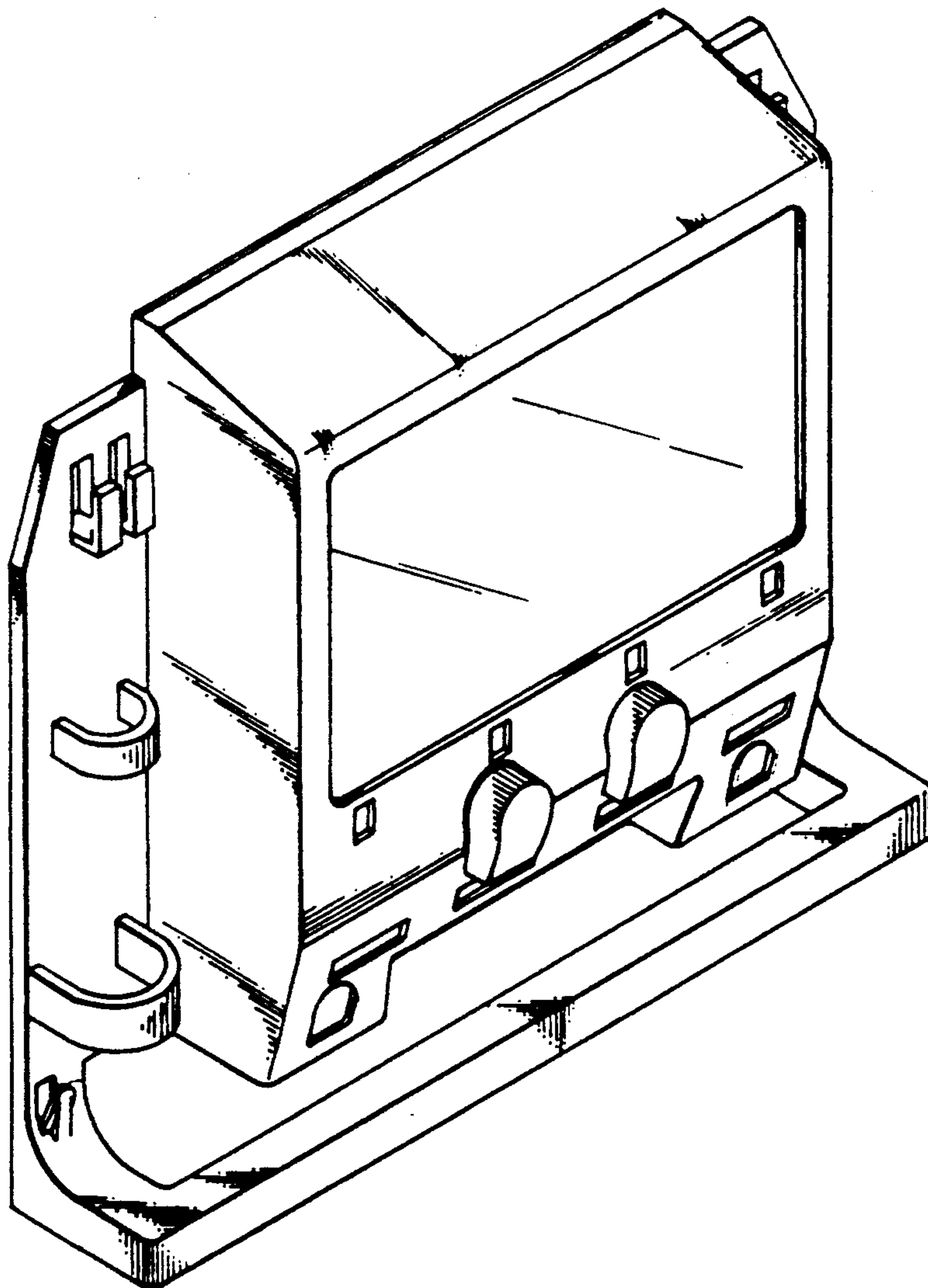
[58] Field of Search D6/524, 527, 542-545, D6/568; 211/13, 86-87, 123; 222/92, 94, 129, 173, 180-181

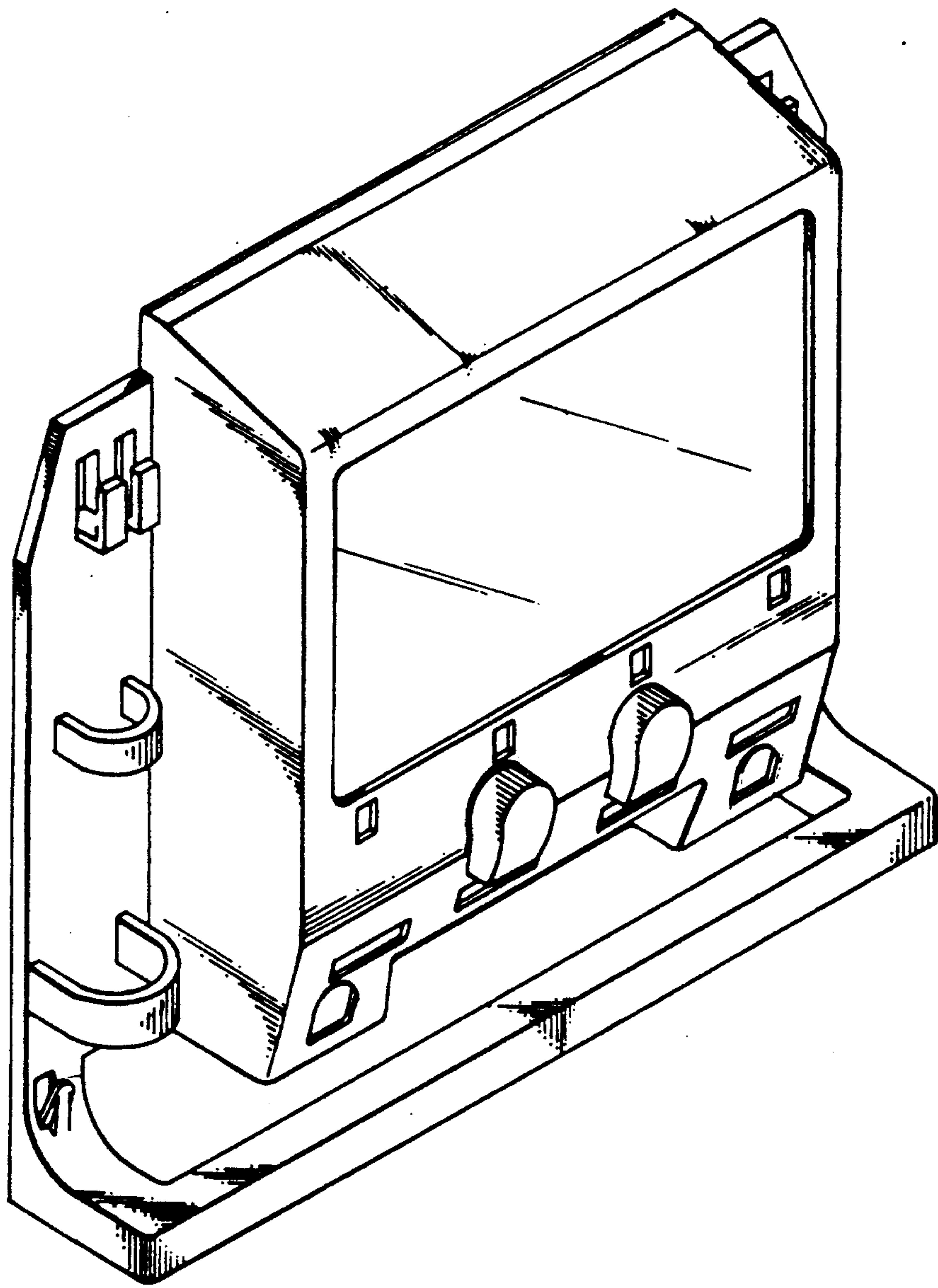
FIG. 1 is a top, front, and left side perspective view of a combination toiletry dispensing and toilet article support unit showing my new design;
 FIG. 2 is a front elevational view thereof;
 FIG. 3 is a left side elevational view thereof;
 FIG. 4 is a top plan view thereof;
 FIG. 5 is a right side elevational view thereof;
 FIG. 6 is a bottom plan view thereof; and,
 FIG. 7 is a rear elevational view thereof.

[56] **References Cited**

U.S. PATENT DOCUMENTS

D. 274,393	6/1984	Sinchok	D6/525
D. 320,720	10/1991	Goodman et al.	D6/569





F I G. 1

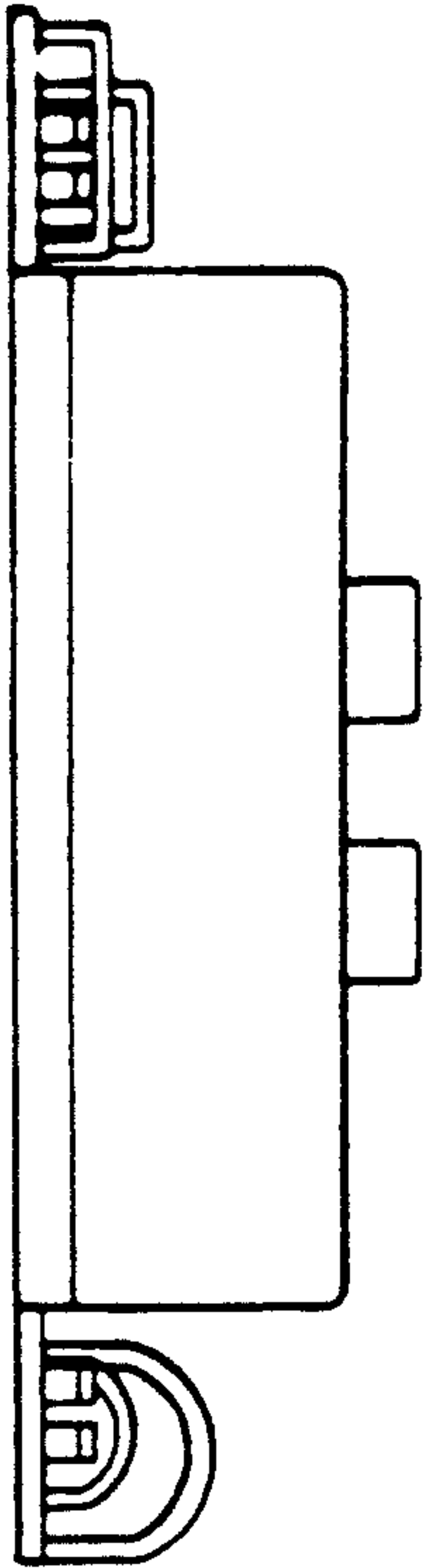


FIG. 4

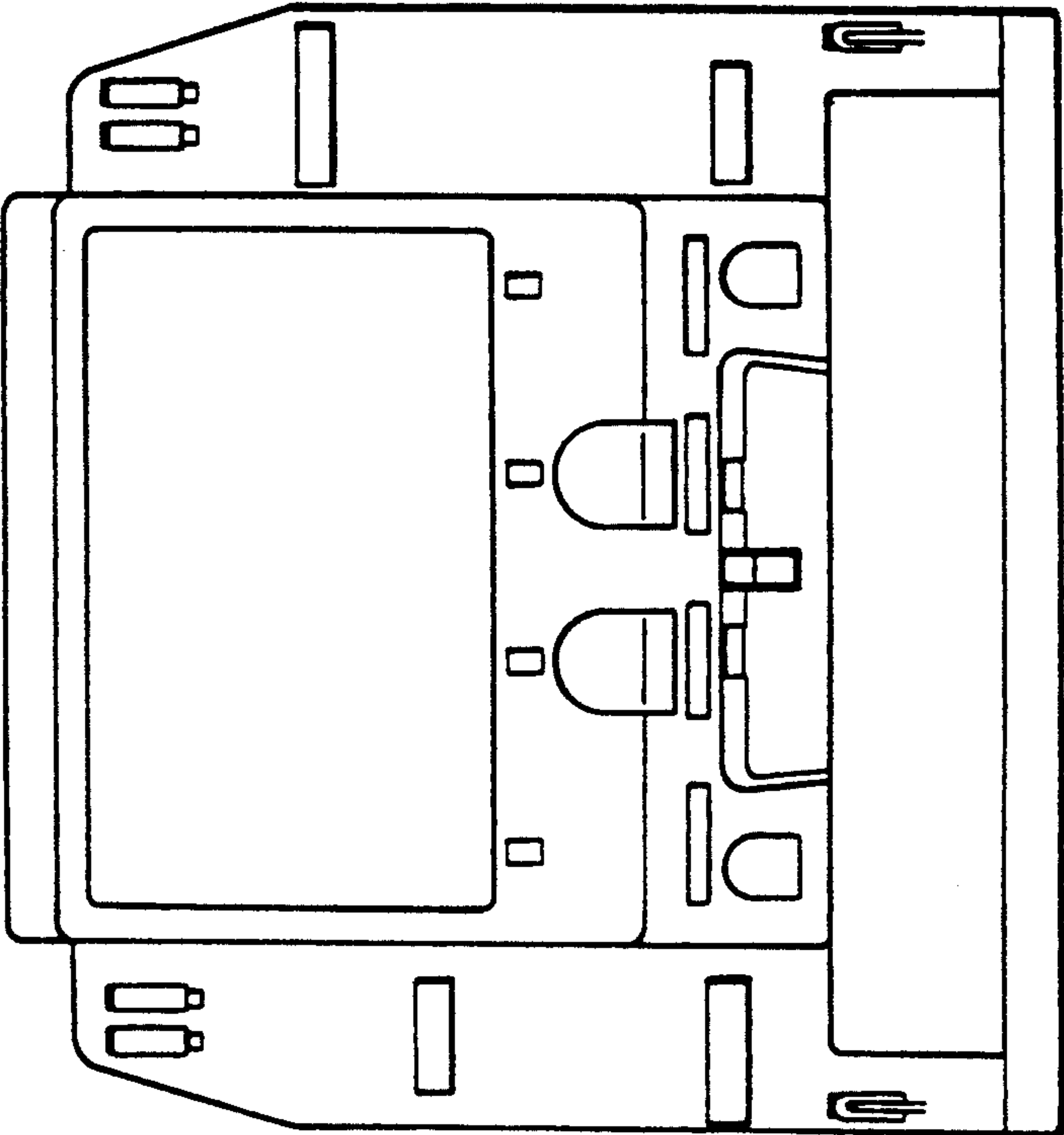


FIG. 2

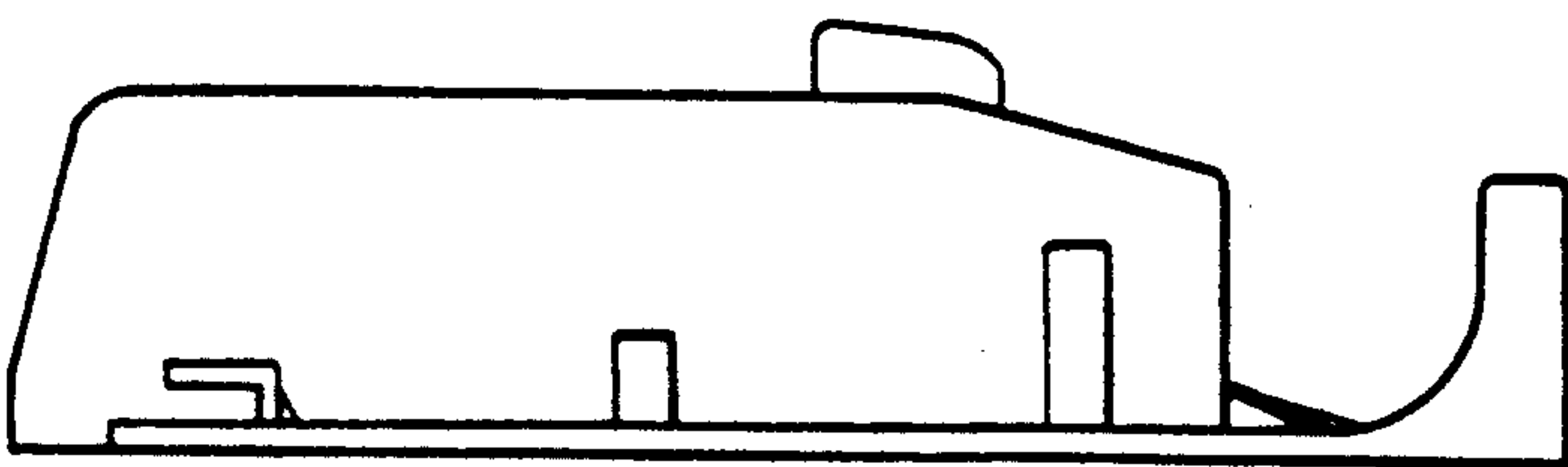


FIG. 3

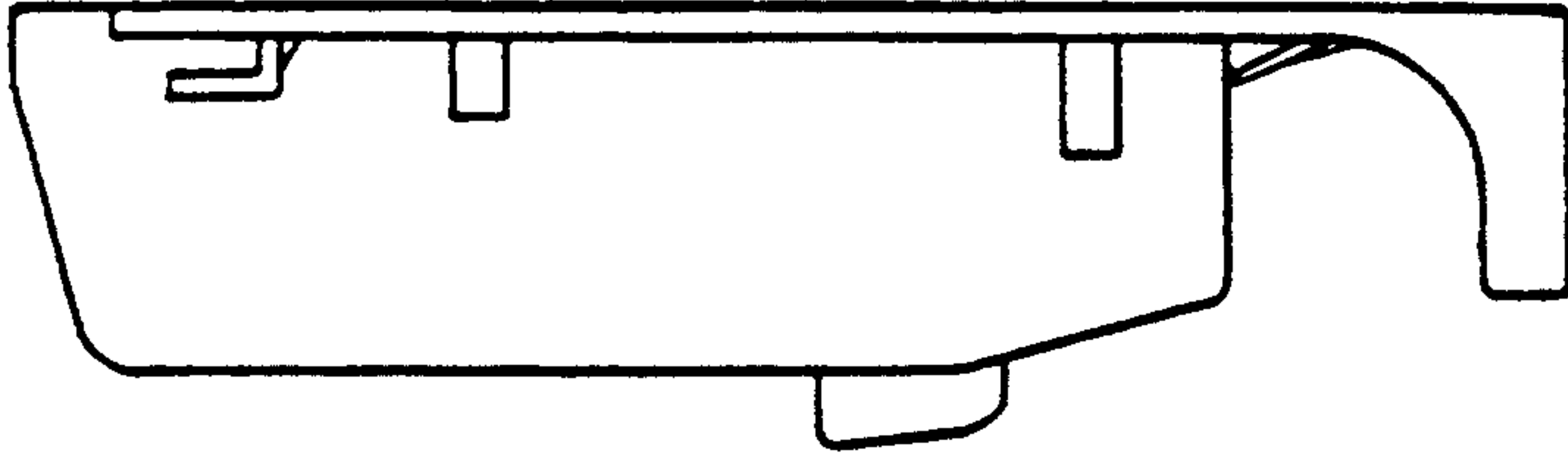


FIG. 5

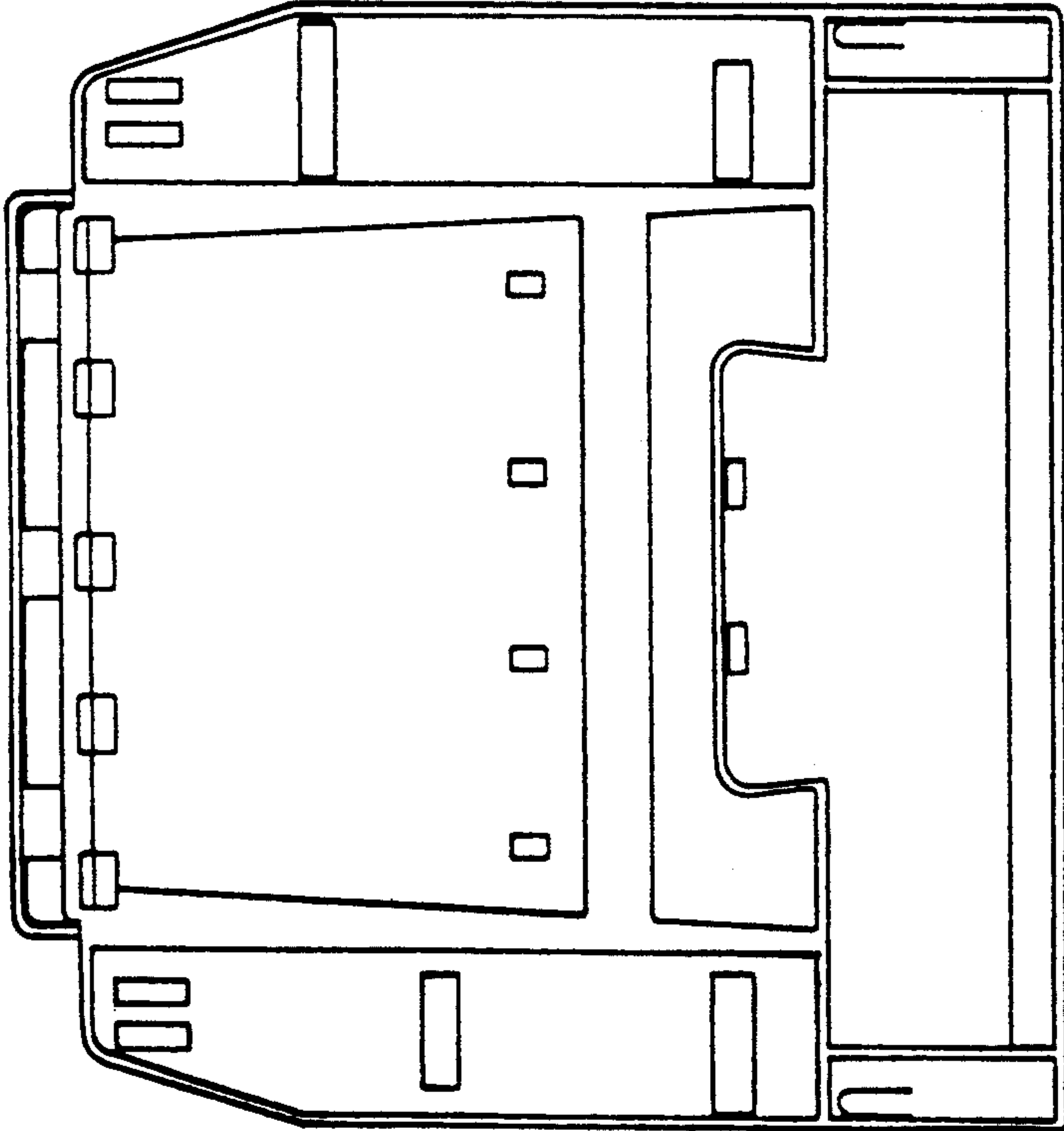


FIG. 7

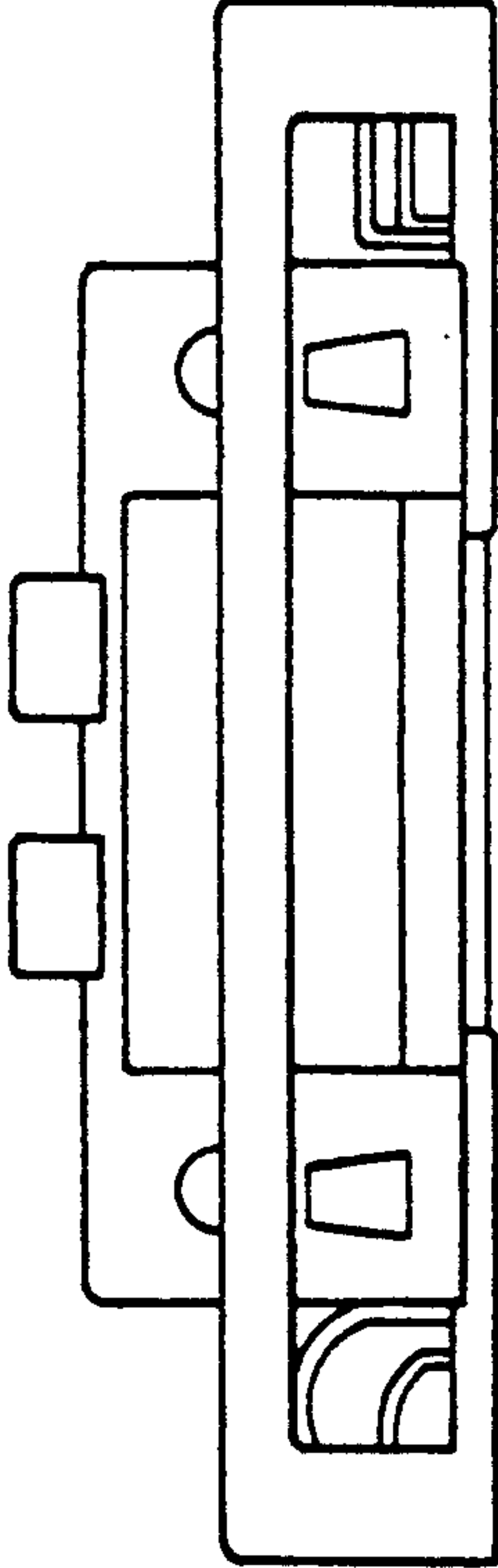


FIG. 6

UNITED STATES PATENT AND TRADEMARK OFFICE
CERTIFICATE OF CORRECTION

PATENT NO. : D343,974

DATED : 02/08/94

INVENTOR(S) : Tsai Se-Hsing

It is certified that error appears in the above-identified patent and that said Letters Patent is hereby corrected as shown below:

ON THE TITLE PAGE

Item 19 change "Sz-Hsing" to read --Se-Hsing--.

Item 76 change "Sz-Hsing" to read --Se-Hsing--.

Signed and Sealed this
Twenty-eighth Day of June, 1994

Attest:



BRUCE LEHMAN

Attesting Officer

Commissioner of Patents and Trademarks