



US00D343970S

# United States Patent [19]

[11] Patent Number: **Des. 343,970**

**Campbell**

[45] Date of Patent: **\*\* Feb. 8, 1994**

## [54] CABINET WITH CONCEALED GUN COMPARTMENT

[76] Inventor: **William R. Campbell**, 10431 Coppermine Rd., Woodsboro, Md. 21798

[\*\*] Term: **14 Years**

[21] Appl. No.: **648,353**

[22] Filed: **Jan. 31, 1991**

[52] U.S. Cl. .... **D6/437**

[58] Field of Search ..... **D6/432-446;**  
312/238, 204, 291; 211/64; 206/315.11, 317

### [56] References Cited

#### U.S. PATENT DOCUMENTS

D. 170,705	10/1953	Krueger	.....	D6/443
D. 252,125	6/1979	Oakley et al.	.....	D6/432
D. 255,406	6/1980	Stephens	.....	D6/438
D. 260,710	9/1981	Miller	.....	D6/438
492,304	2/1893	Markle	.....	312/135
497,975	5/1893	Downer	.....	312/238
547,354	10/1895	Levy	.....	312/238 X
3,762,789	10/1973	Robertson	.	
3,848,940	11/1974	Berens	.	
3,927,923	12/1975	Kimmel	.....	211/64 X
4,099,808	7/0178	Oakley et al.	.	
4,155,608	5/1979	Orlewicz	.	
4,925,255	5/1990	DeBlaay	.	
4,936,038	6/1990	Johnson	.	

*Primary Examiner*—Carmen H. Vales-Lado  
*Attorney, Agent, or Firm*—Eugene F. Osborne, Sr.

### [57] CLAIM

The ornamental design for a cabinet with concealed gun compartment, as shown and described.

### DESCRIPTION

FIG. 1 is a front elevational view of a cabinet with concealed gun compartment showing my new design; FIG. 2 is a cross-sectional view taken along line 2—2 of FIG. 1;

FIG. 3 is a front elevational view with the doors and interior compartment open for convenience of illustration;

FIG. 4 is a cross-sectional view taken along line 4—4 of FIG. 3;

FIG. 5 is a front elevational view with the front top door open for convenience of illustration;

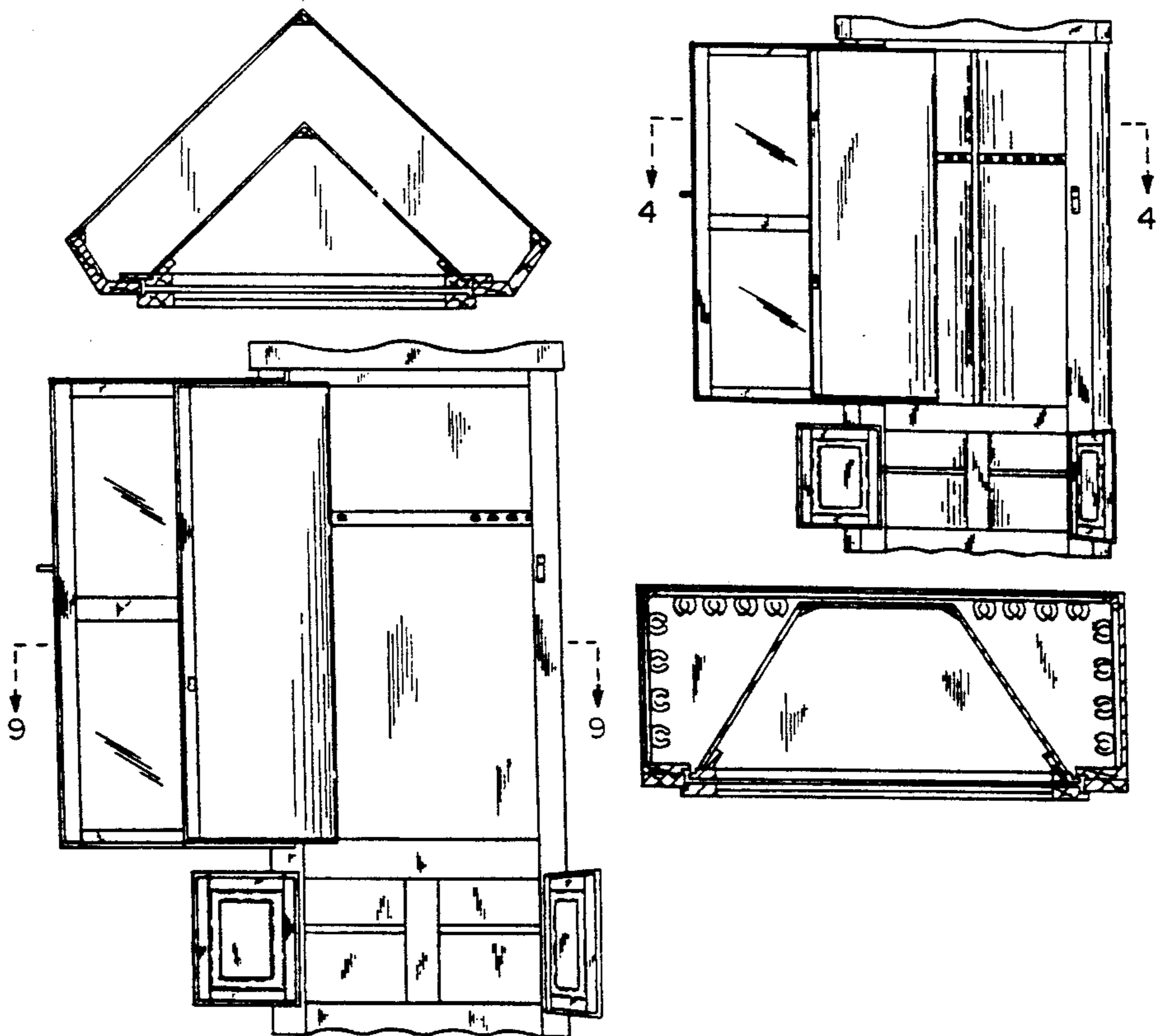
FIG. 6 is a front elevational view of a modified form of the cabinet with concealed gun compartment shown in FIG. 1;

FIG. 7 is a cross-sectional view taken along line 7—7 of FIG. 6;

FIG. 8 is a front elevational view with the doors and interior compartment open for convenience of illustration;

FIG. 9 is a cross-sectional view taken along line 9—9 of FIG. 8; and,

FIG. 10 is a front elevational view with the front top door open for convenience for illustration.



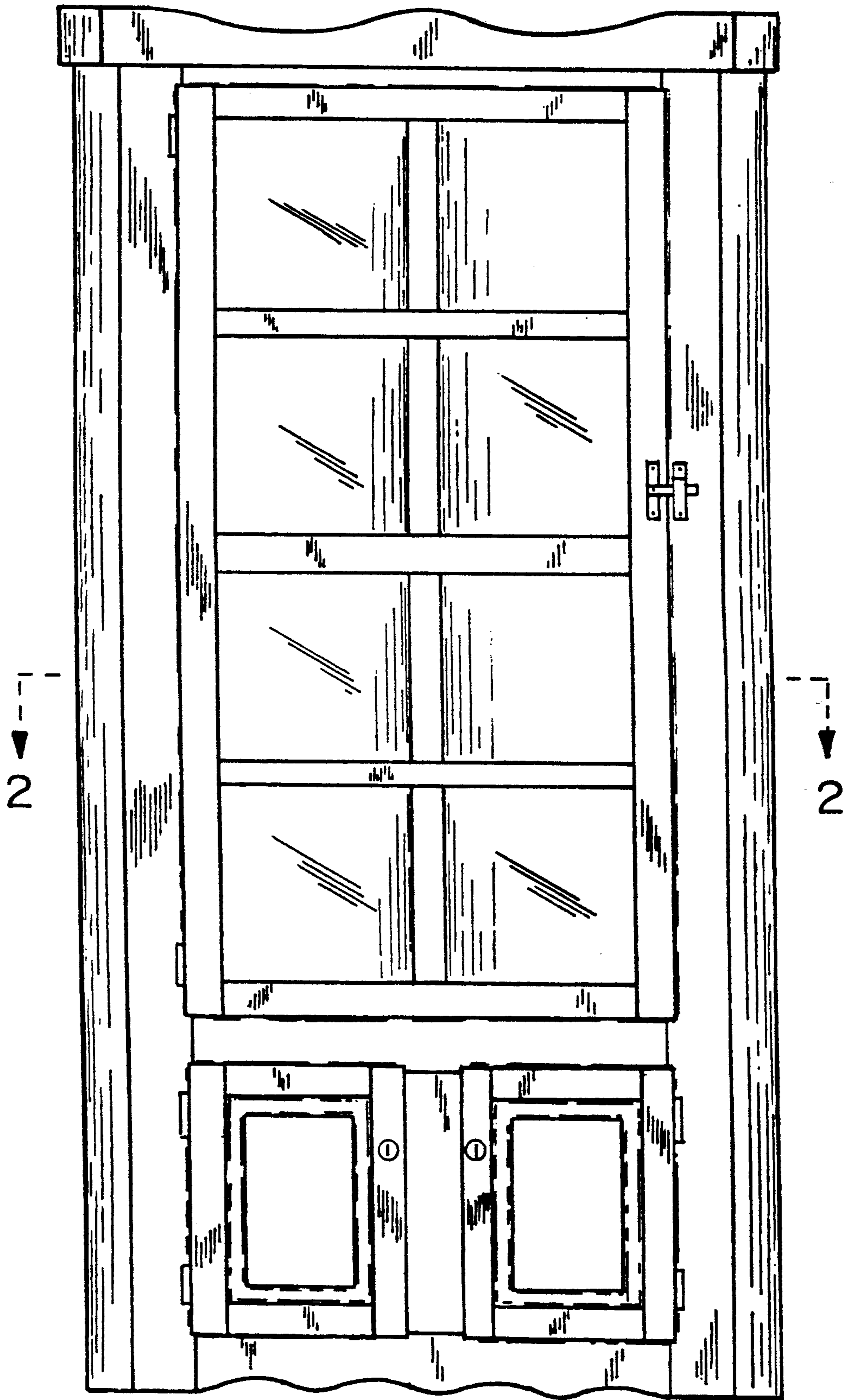


FIG. 1

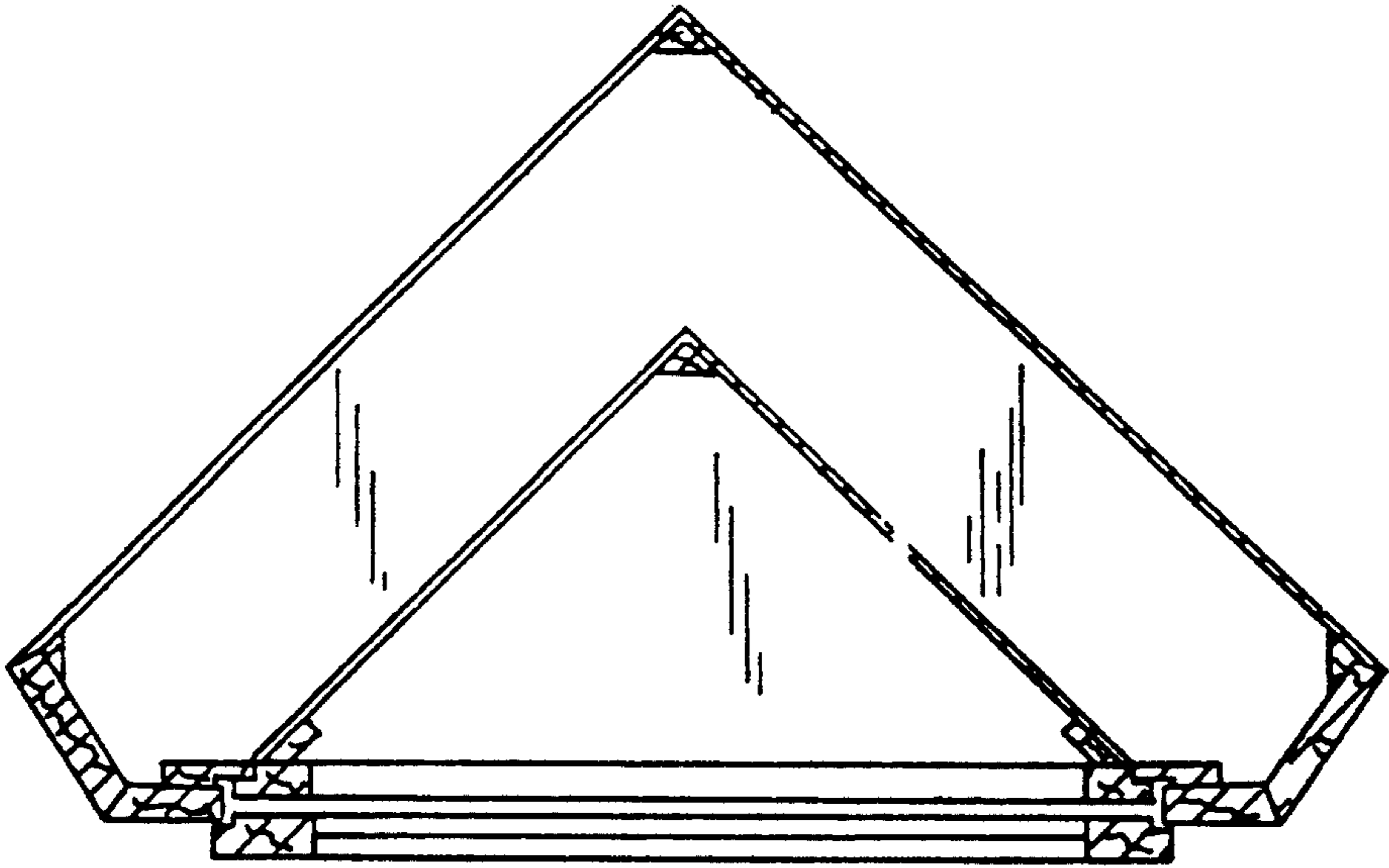


FIG. 2

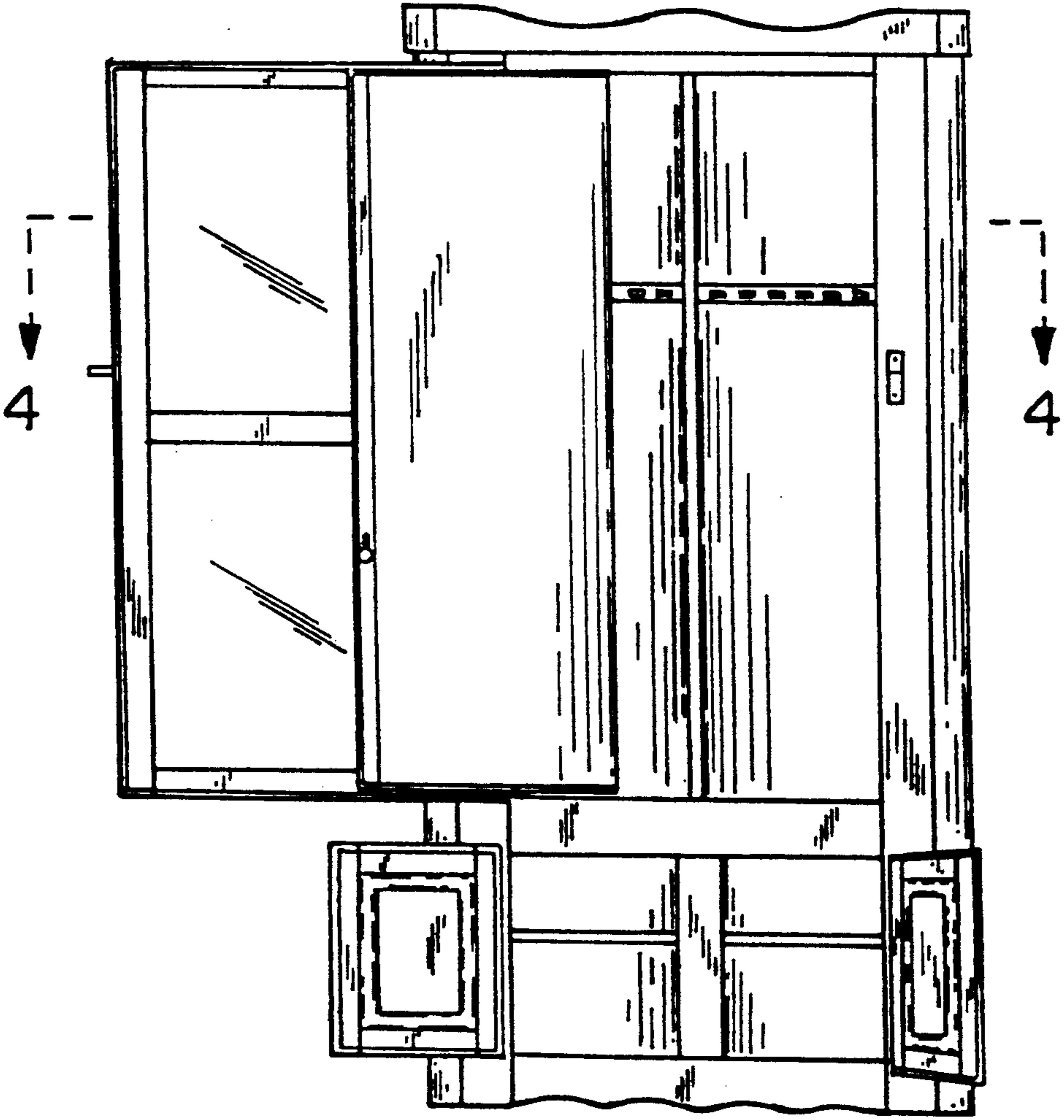


FIG. 3

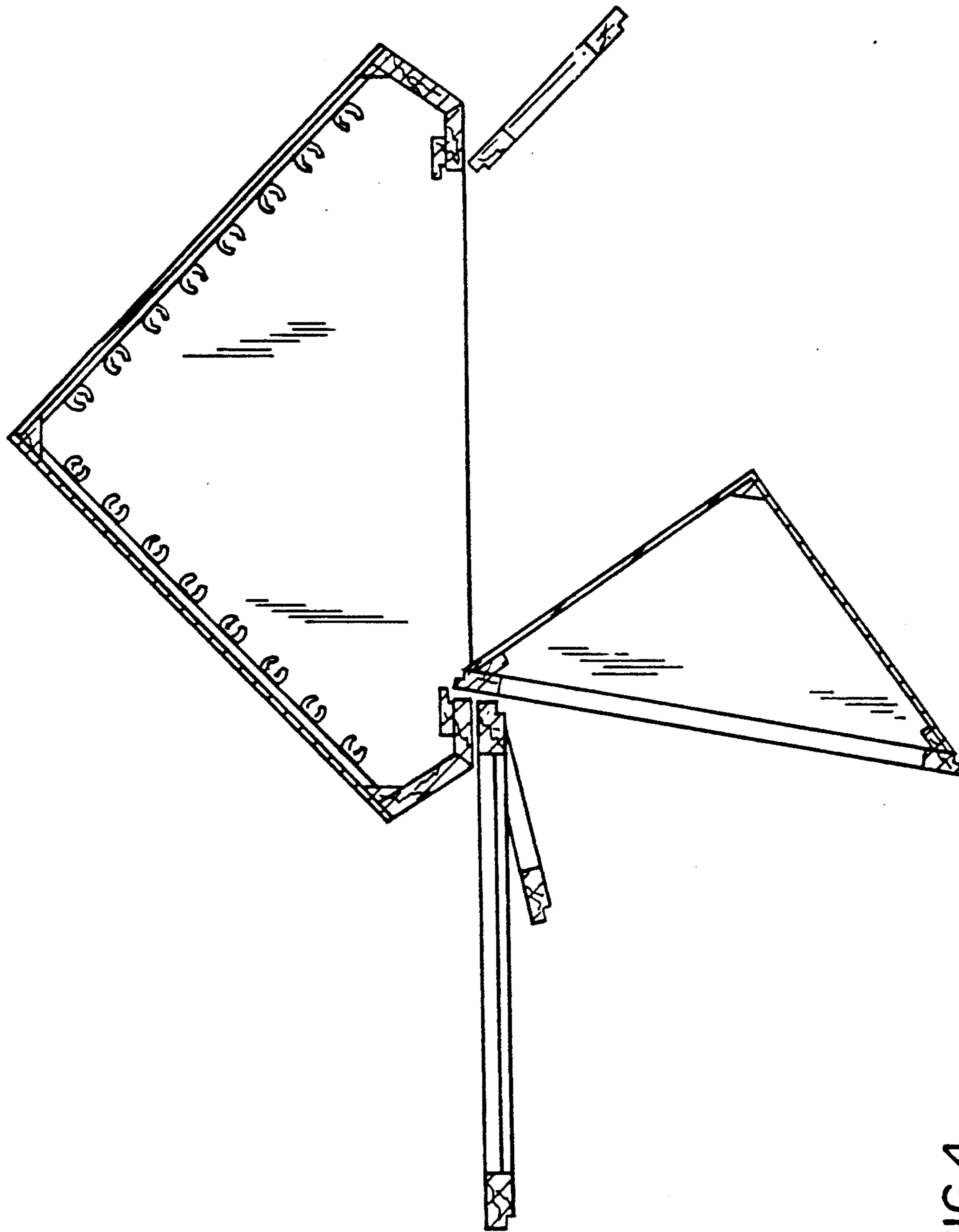


FIG. 4

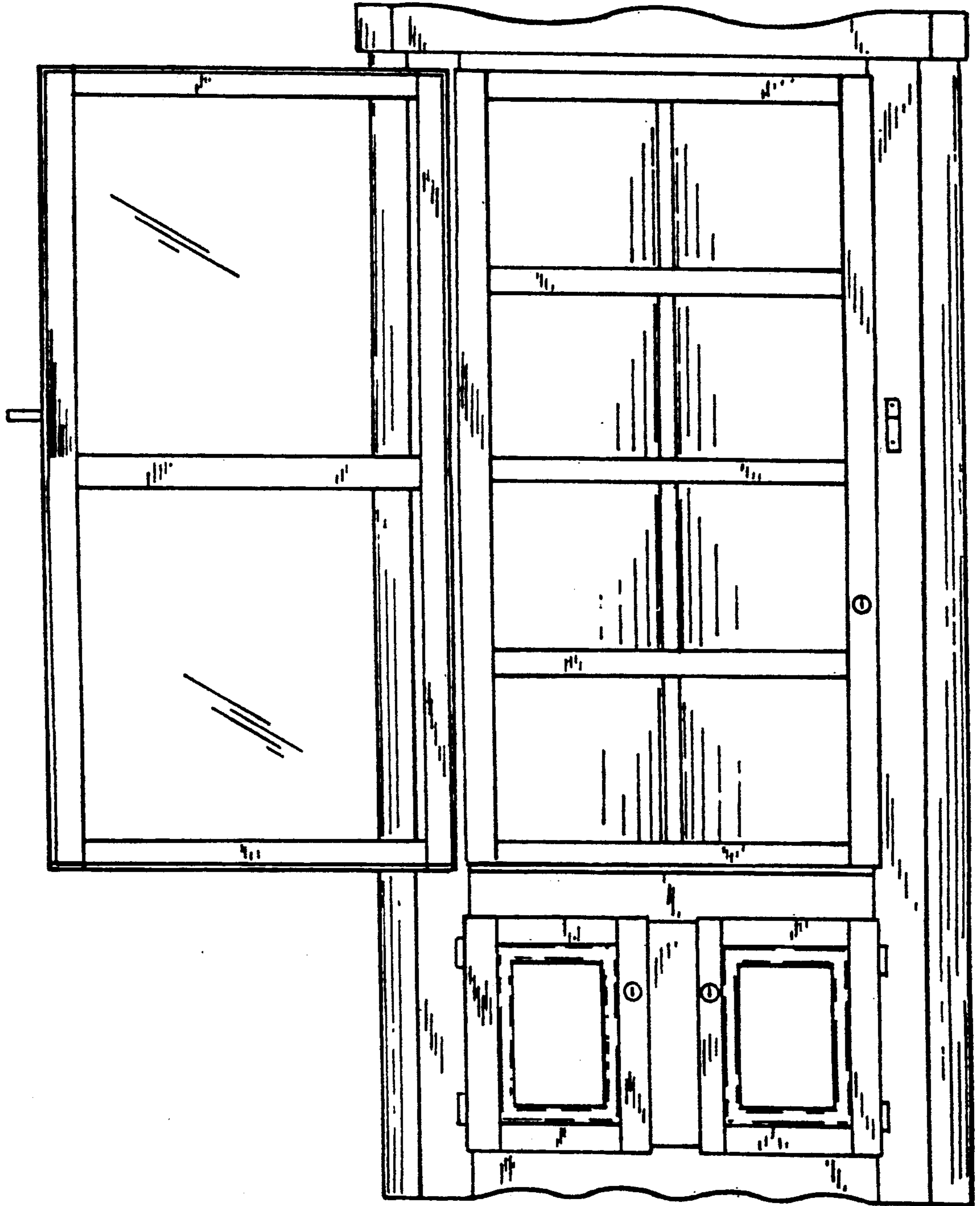


FIG. 5

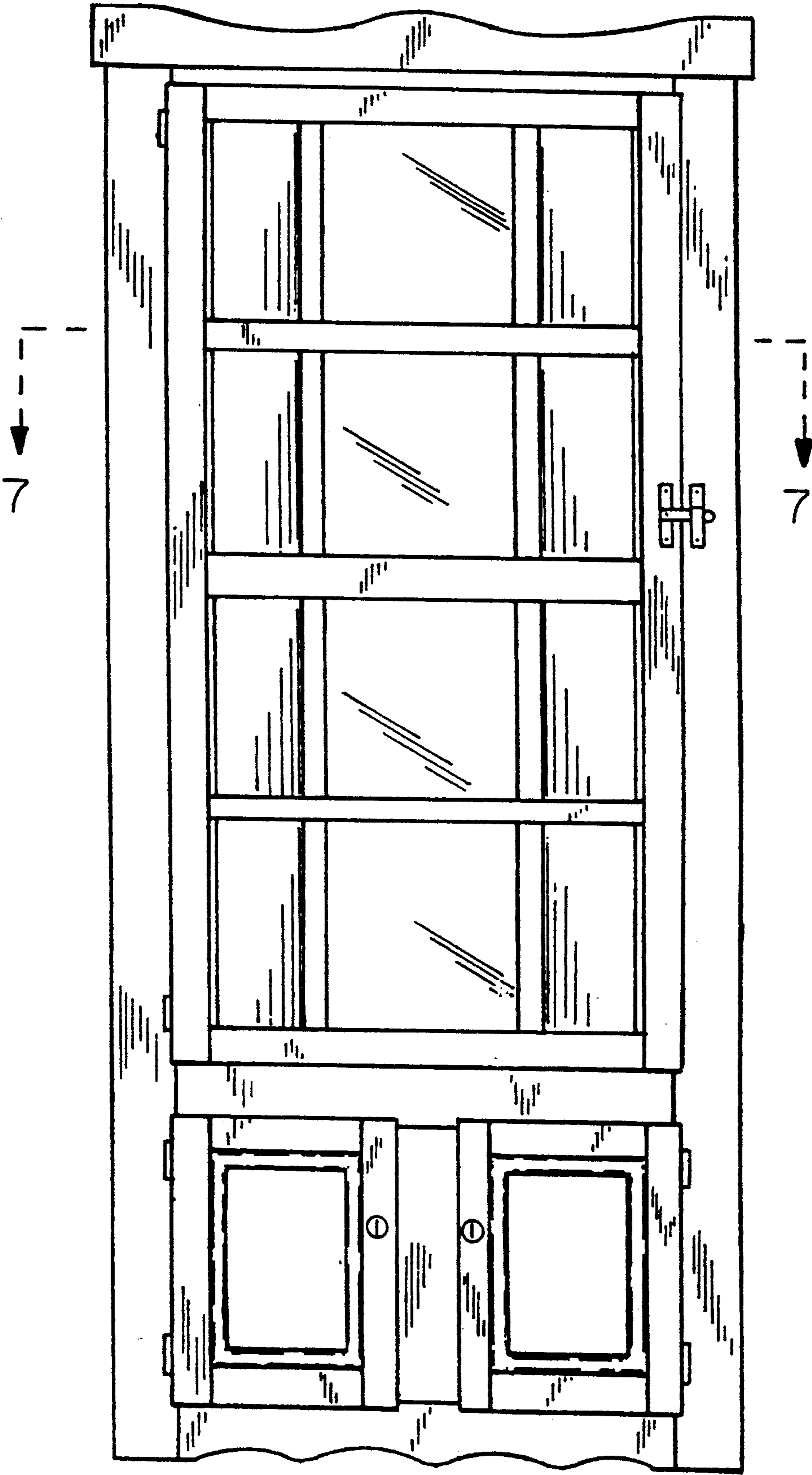


FIG. 6

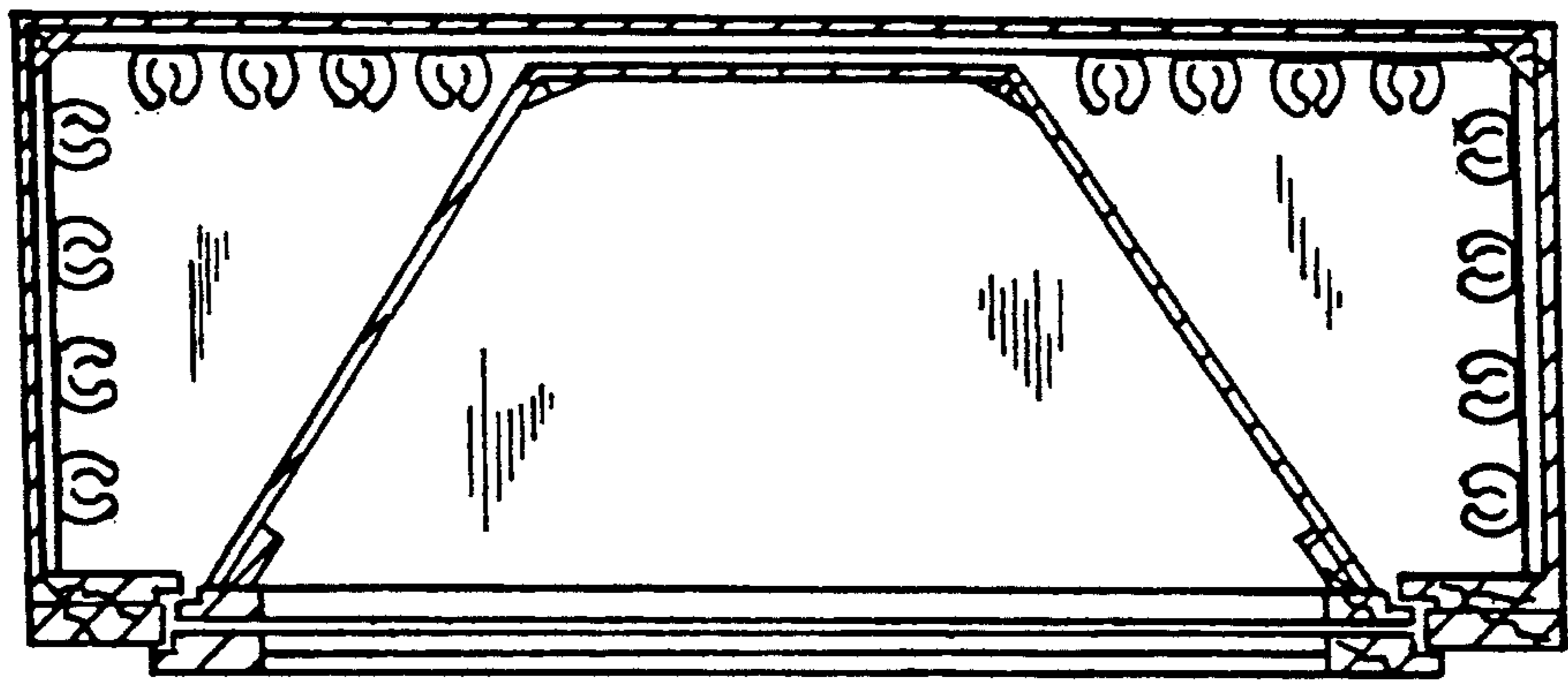


FIG. 7

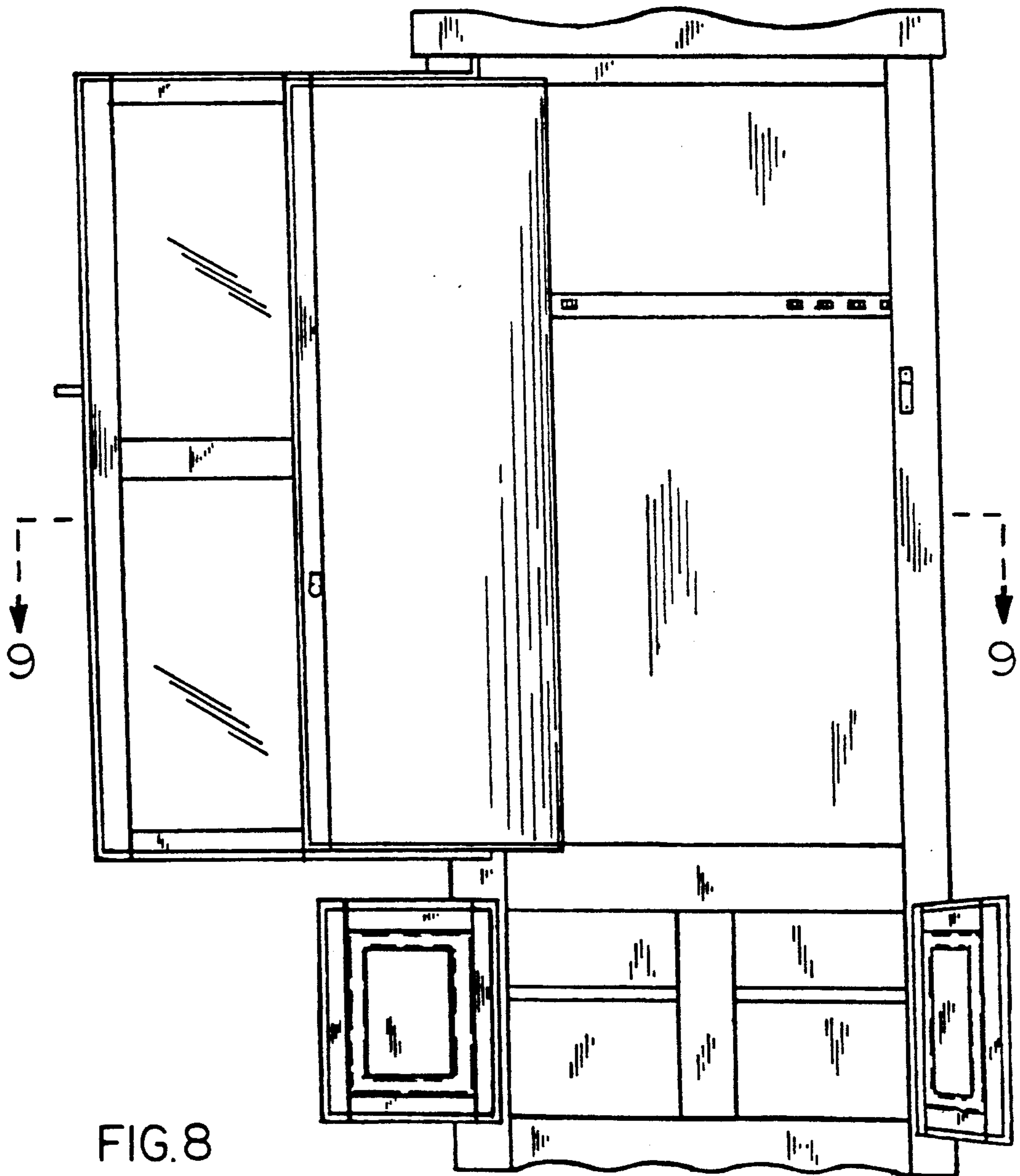


FIG. 8

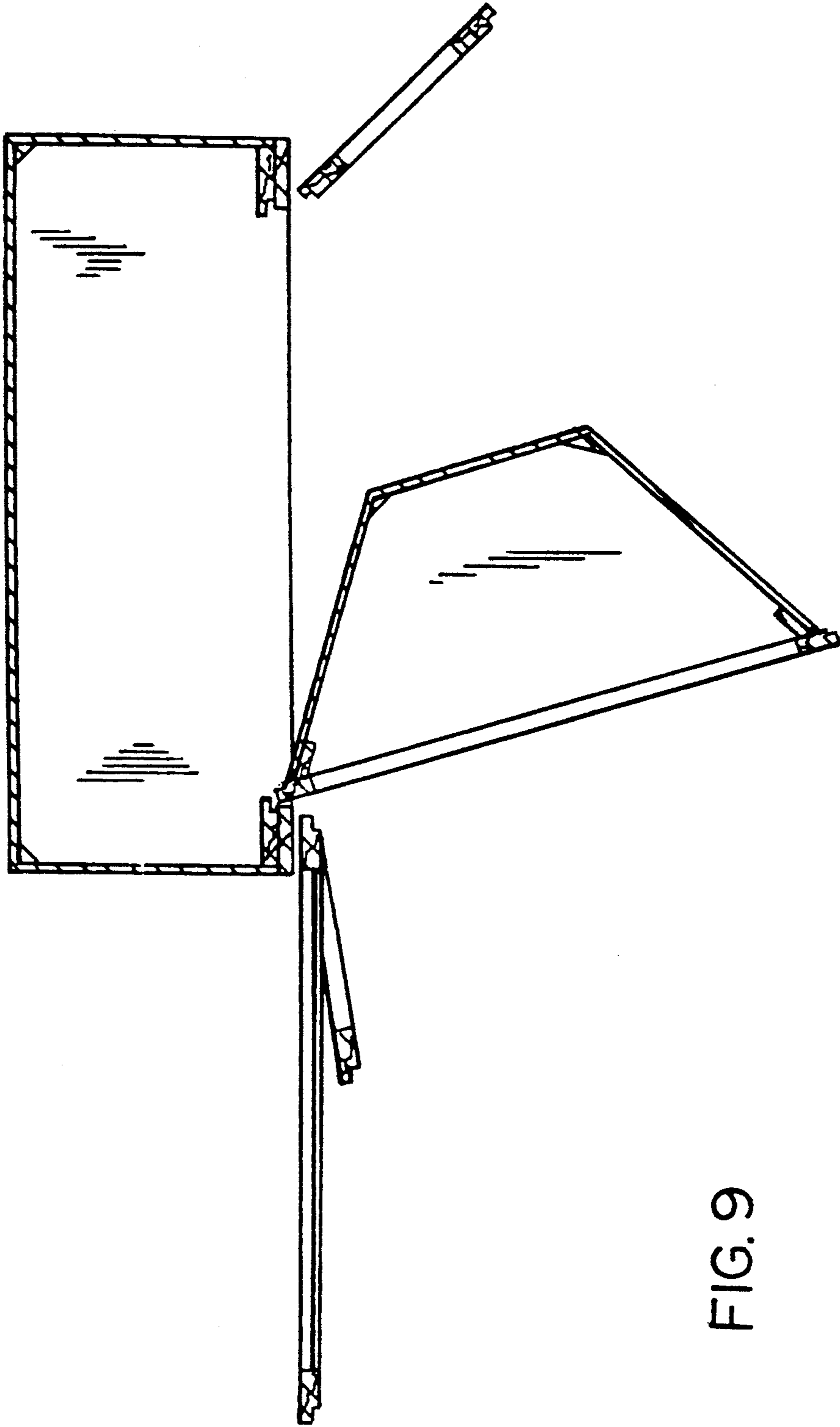


FIG. 9



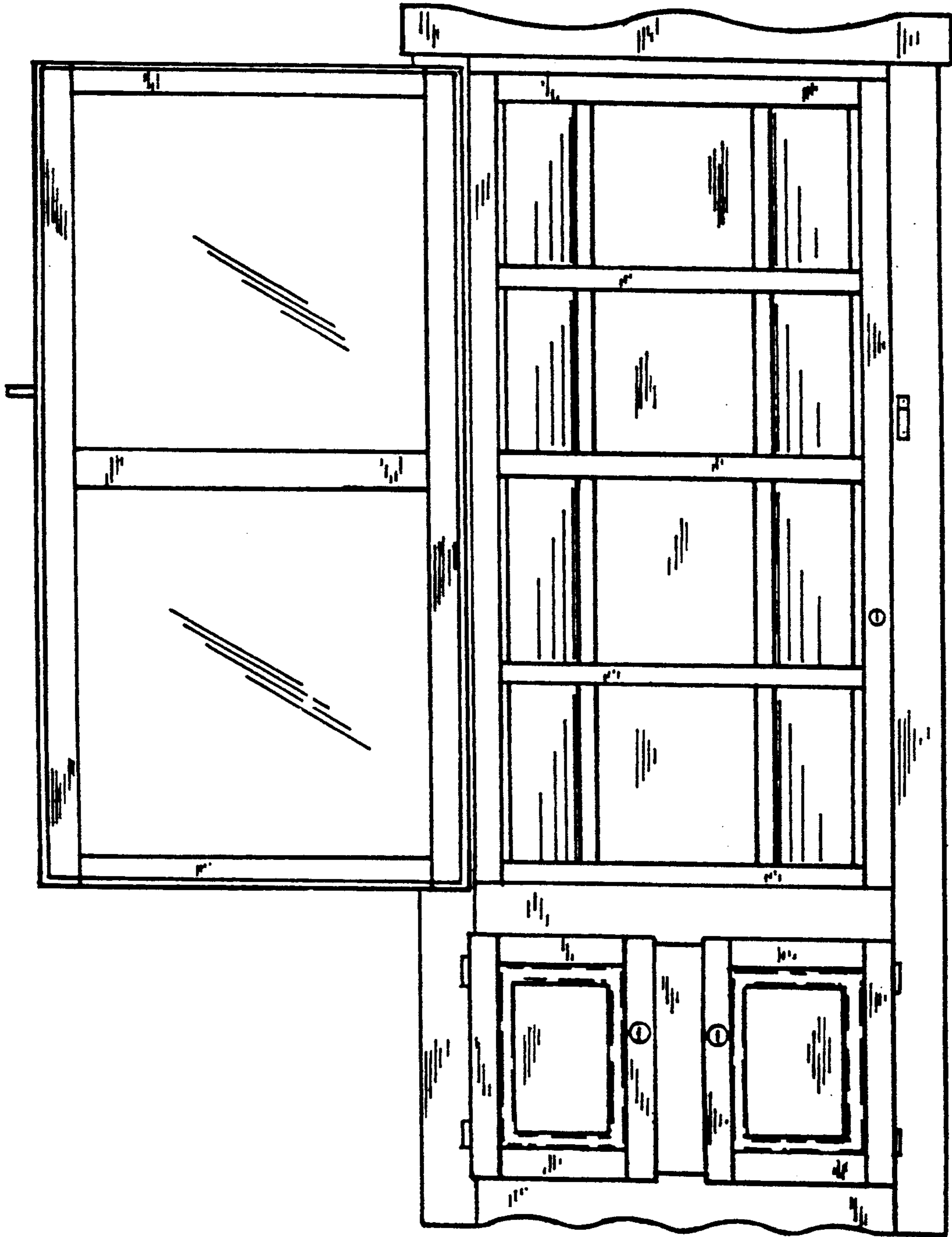


FIG. 10