



US00D343969S

United States Patent [19]

[11] Patent Number: Des. 343,969

Ball

[45] Date of Patent: ** Feb. 8, 1994

[54] COCKTAIL TABLE WITH STORAGE

[75] Inventor: Edwin L. Ball, Thomasville, N.C.

[73] Assignee: Lexington Furniture Industries, Inc.,
Lexington, N.C.

[**] Term: 14 Years

[21] Appl. No.: 7,083

[22] Filed: Jan. 8, 1993

Related U.S. Application Data

[63] Continuation of Ser. No. 853,315, Mar. 18, 1992, abandoned.

[52] U.S. Cl. D6/436

[58] Field of Search D6/432-448,
D6/480, 484; 312/204

References Cited

U.S. PATENT DOCUMENTS

- D. 59,058 9/1921 Bergstrom D6/446
- D. 59,059 9/1921 Bergstrom D6/446
- D. 326,376 5/1992 Barfield D6/436

OTHER PUBLICATIONS

Lane Spring 1965 p. 34; Commode table #1045-02 on page.

Lane Spring 1965 p. 48; Jumbo Cocktail Table #1002-30 center right on page.

"Protege" by Thomasville Jun. 1986, p. 3; Square Lamp table; bottom right on page.

Mahogany and Floral Marquetry bijouterie table, Circa 1900.

Framing A Collection Table, *Interior Design*, Sep., 1976.

Display Table, *Abitase*, Jan./Feb. 1971.

Brandt Table, *A History of American Furniture*, 1970.

Bunching Table by Drexler, *Et Cetera*, Jul., 1969.

Magazine Display Table No. 1451, by Peters-Revington, *Furniture World*, Aug., 1976.

Ethan Allen Curio Table No. 11-8205, 1976.

Steel Frame Cabinet, *Storage*, George Nelson, 1954.

Fore-Site Modern Table by S. Bevelacqua, *Complete Furniture Works*, 1946.

Polo Bar Unit, by Pellegrini, *Abitare*, 1974.

Rectangular Cocktail Table, Created 1983.

Rectangular Book Table, Created 1977.

Primary Examiner—Carmen H. Vales-Lado

Attorney, Agent, or Firm—Edgar A. Zarins; Malcolm L. Sutherland

[57] CLAIM

The ornamental design for a cocktail table with storage, as shown and described.

DESCRIPTION

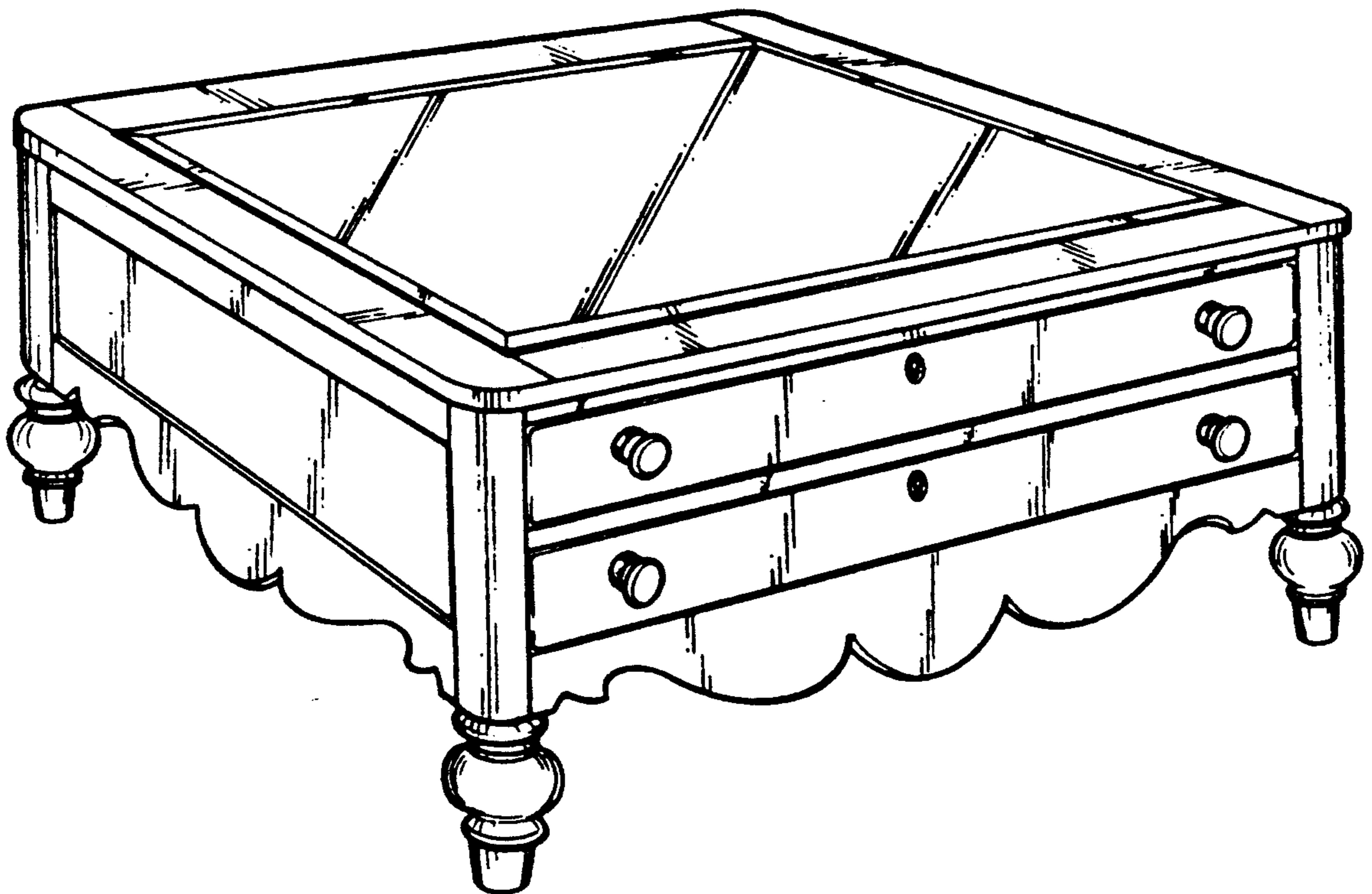
FIG. 1 is a perspective view of a cocktail table with storage showing my new design;

FIG. 2 is a top plan view thereof;

FIG. 3 is a front elevational view thereof;

FIG. 4 is a right side elevational view thereof; and,

FIG. 5 is a left side elevational view thereof.



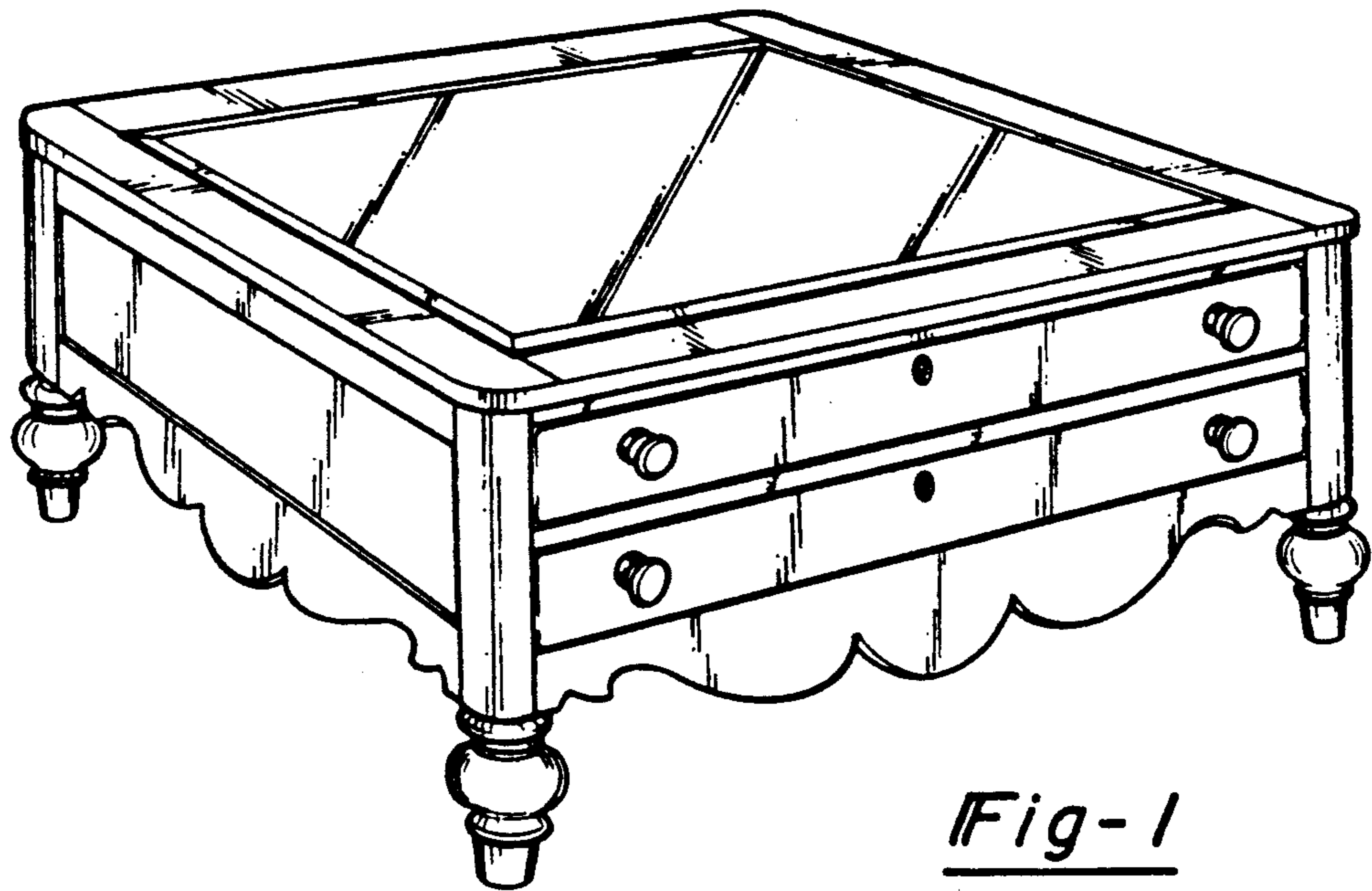


Fig-1

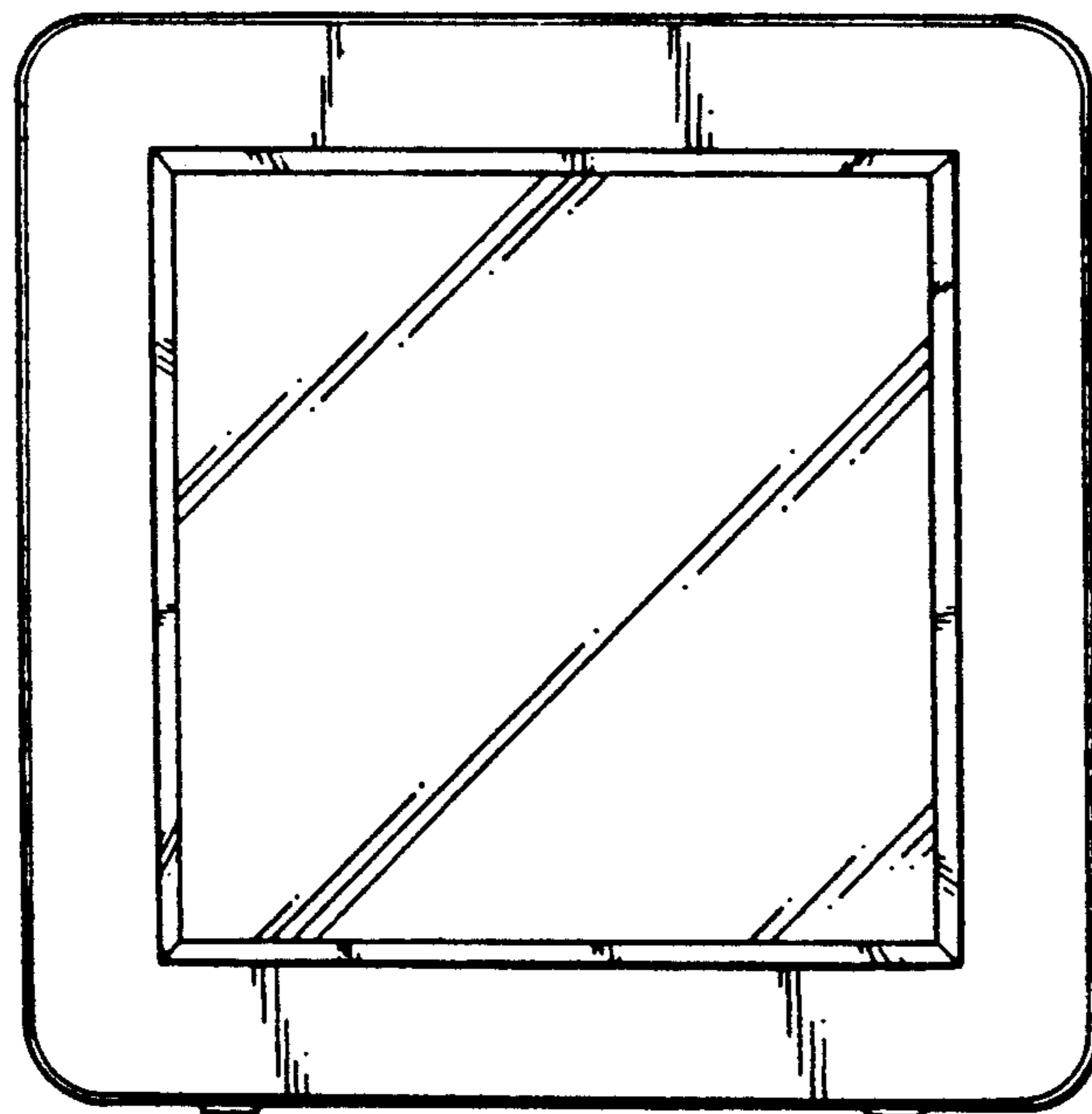


Fig-2

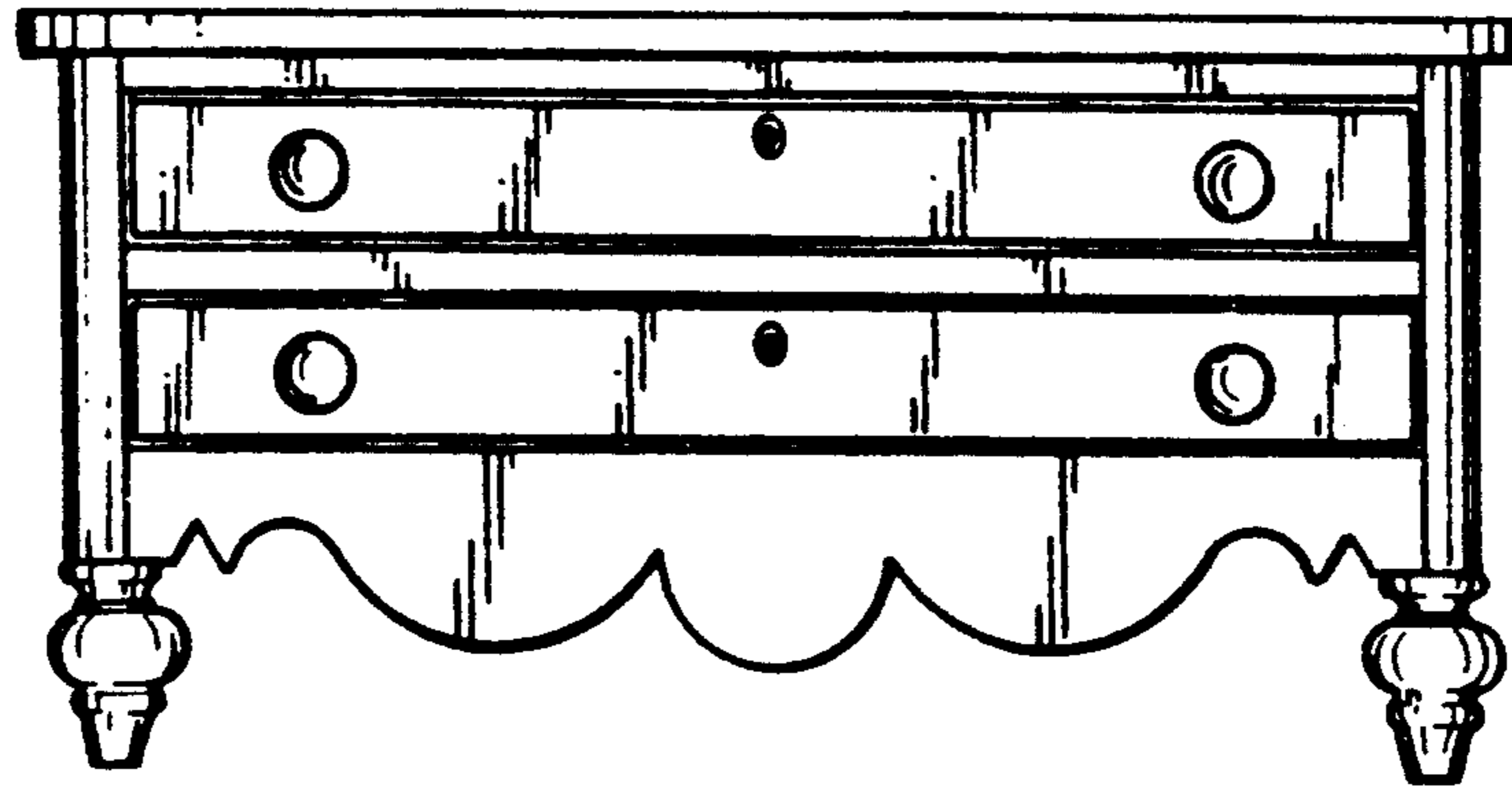


Fig-3

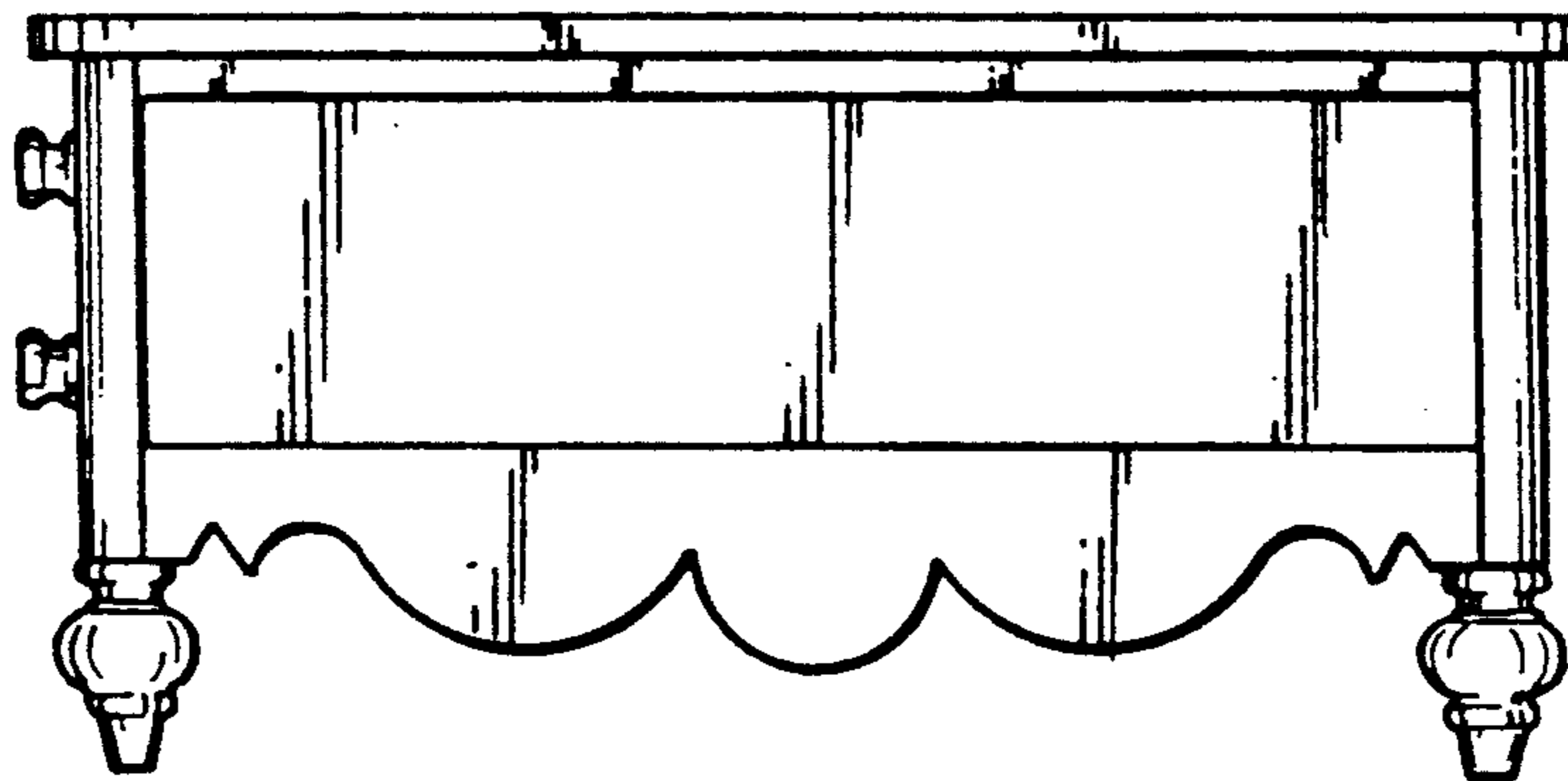


Fig-4

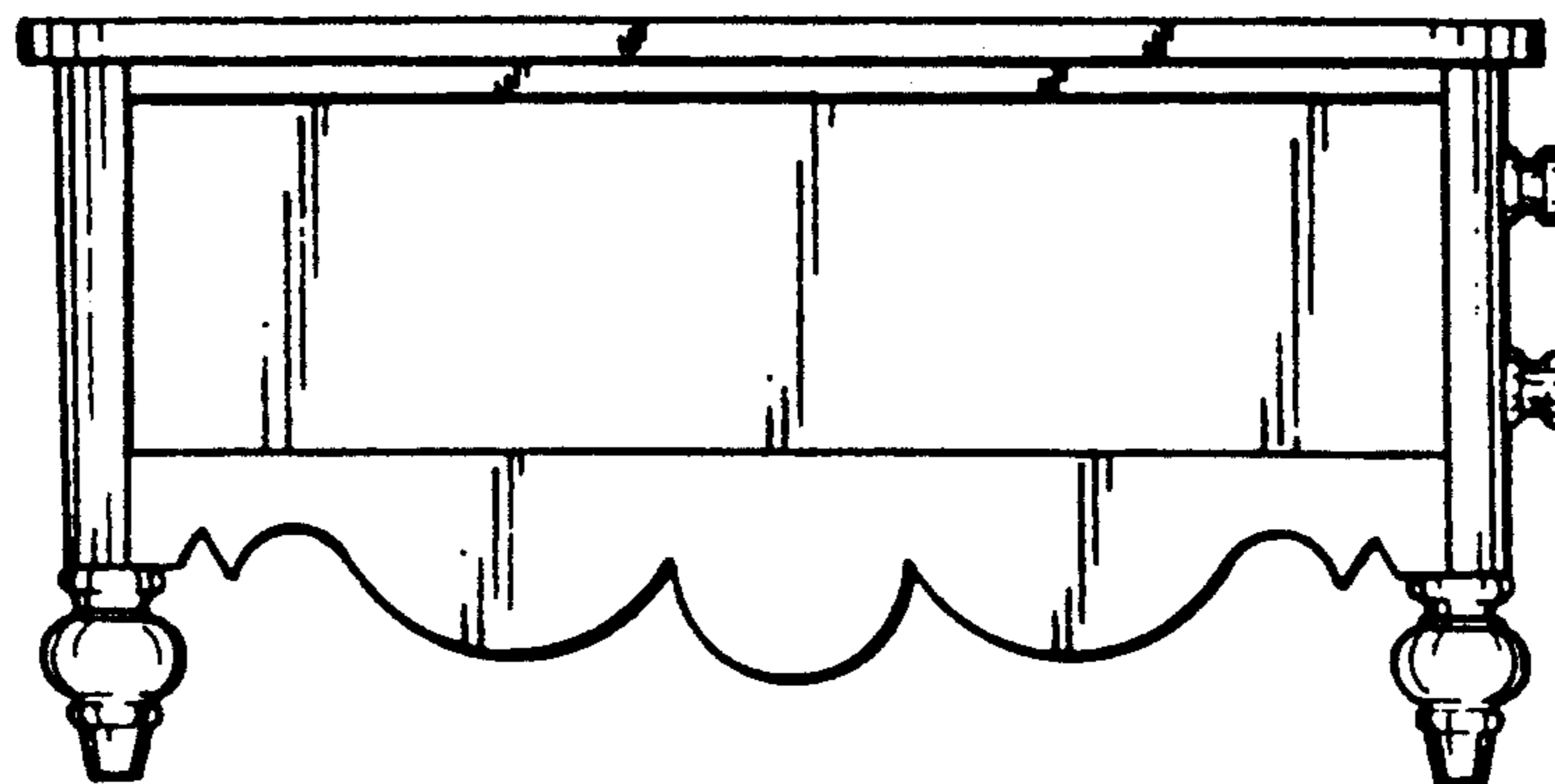


Fig-5