



US00D343957S

# United States Patent [19]

[11] Patent Number: **Des. 343,957**

Sievila

[45] Date of Patent: **\*\* Feb. 8, 1994**

[54] HANGER

3,831,826	8/1974	Thomas .....	223/88
4,673,114	6/1987	Douglas .....	223/94
5,083,690	1/1992	Winkas .....	223/85

[76] Inventor: **Loren G. Sievila**, 2100 Prairie Ave.,  
Rock Springs, Wyo. 82901

*Primary Examiner*—B. J. Bullock  
*Attorney, Agent, or Firm*—S. Michael Bender

[\*\*] Term: **14 Years**

[57] **CLAIM**

[21] Appl. No.: **924,235**

The ornamental design for a hanger, as shown and described.

[22] Filed: **Aug. 3, 1992**

[52] U.S. Cl. .... **D6/317; D6/319**

[58] Field of Search ..... **D6/315, 317, 319;**  
**223/85, 88, 92, 89; 211/113, 119**

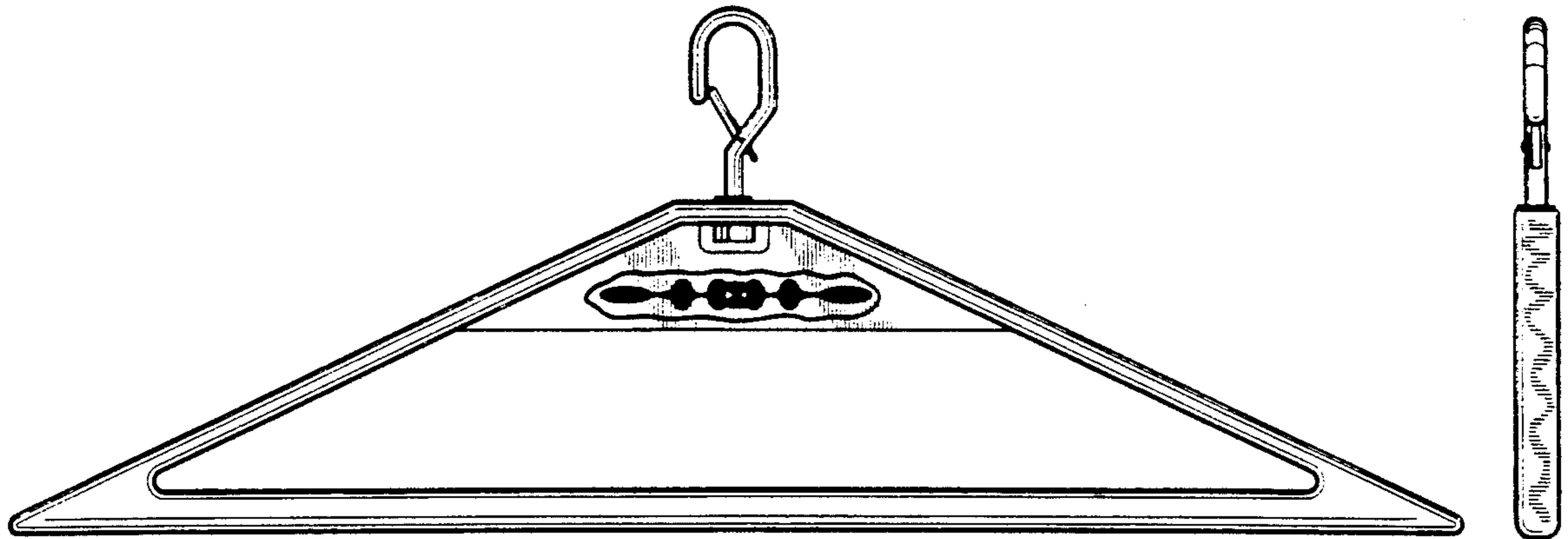
### DESCRIPTION

FIG. 1 is a front elevational view of the hanger showing my new design;  
FIG. 2 is a rear elevational view thereof;  
FIG. 3 is a left side elevational view thereof;  
FIG. 4 is a right side elevational view thereof;  
FIG. 5 is a top plan view thereof; and,  
FIG. 6 is a bottom plan view thereof.

[56] **References Cited**

#### U.S. PATENT DOCUMENTS

2,232,249	2/1941	Losin .....	223/89
3,017,059	1/1962	Dzienisiewicz .....	D6/319
3,392,891	7/1968	Gingher .....	D6/319



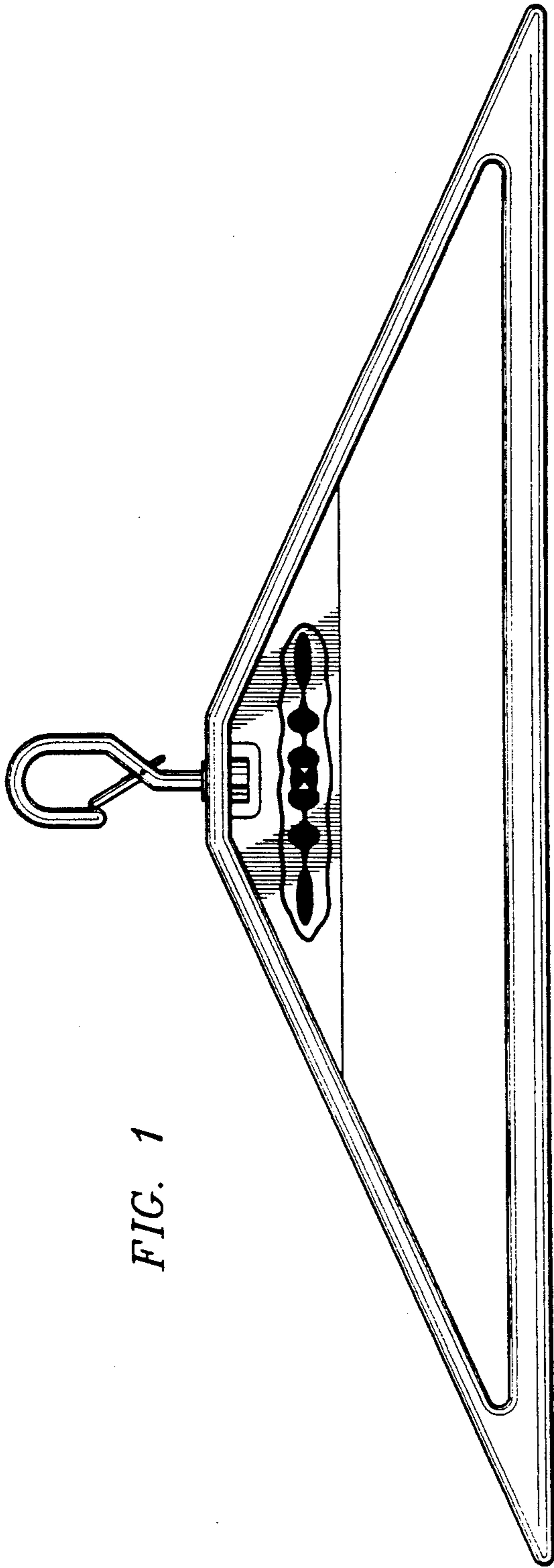


FIG. 1

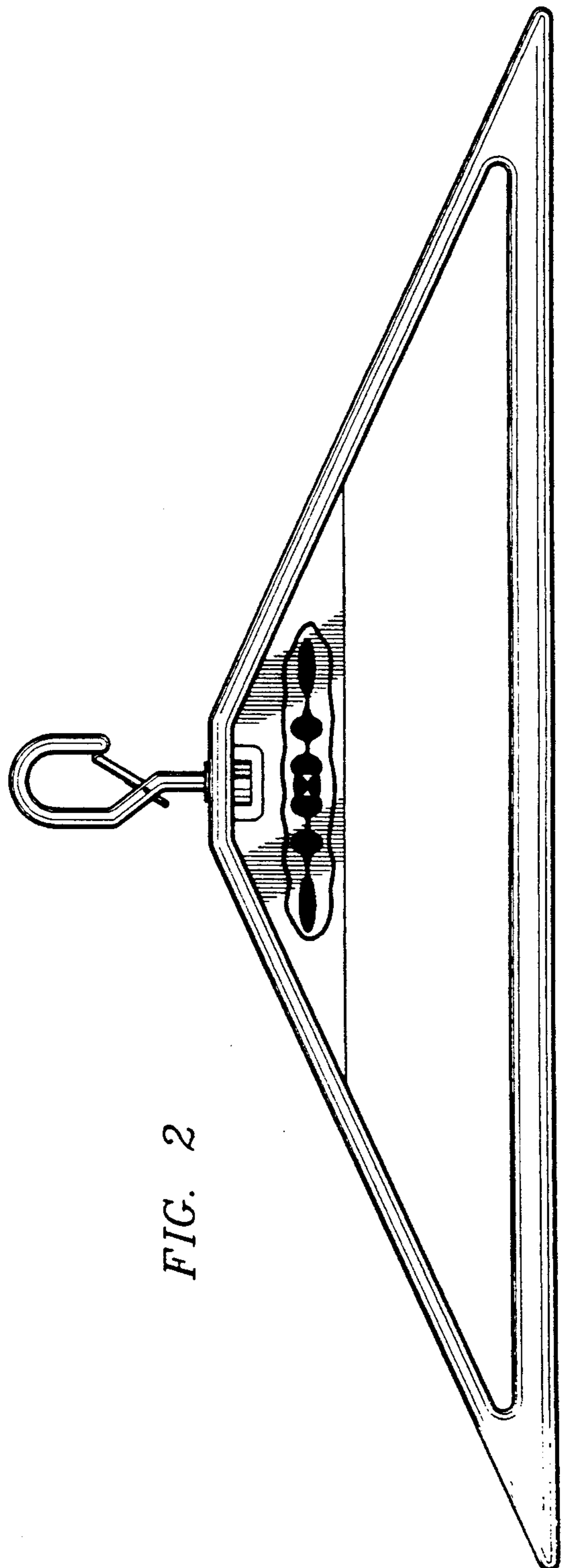


FIG. 2

FIG. 3



FIG. 4



FIG. 5



FIG. 6

