



US00D343951S

# United States Patent [19]

[11] Patent Number: Des. 343,951

Petty et al.

[45] Date of Patent: \*\* Feb. 8, 1994

## [54] WALLET WITH CARRYING STRAP

## DESCRIPTION

[75] Inventors: **Cindy Petty**, West Bend; **Suzanne L. Smith**, Grafton; **Richard D. Gagan**; **Eric Lund**, both of West Bend, all of Wis.

FIG. 1 is a front elevational view of a wallet with carrying strap showing our new design;

FIG. 2 is a rear elevational view thereof;

[73] Assignee: **Amity Leather Products Company**, West Bend, Wis.

FIG. 3 is a front elevational view thereof, shown on an enlarged scale, with portions of the carrying strap broken away;

[\*\*] Term: **14 Years**

FIG. 4 is a right-hand side elevational view thereof, shown on an enlarged scale, with portions of the carrying strap broken away;

[21] Appl. No.: **12,492**

FIG. 5 is a bottom plan view thereof, shown on an enlarged scale, with portions of the carrying strap broken away;

[22] Filed: **Sep. 1, 1993**

[52] U.S. Cl. .... **D3/249; D3/265; D3/243**

FIG. 6 is a left-hand side elevational view thereof, shown on an enlarged scale, with portions of the carrying strap broken away;

[58] Field of Search ..... **D3/42, 43, 48, 52, 56-60; 150/131-136, 138-144, 147-153**

FIG. 7 is a rear elevational view thereof, shown on an enlarged scale, with portions of the carrying strap broken away;

## [56] References Cited

### U.S. PATENT DOCUMENTS

- D. 182,166 2/1958 Chase .
- D. 182,378 3/1958 Ottemberg .
- D. 245,461 8/1977 Jones, Jr. .
- D. 261,077 10/1981 Loomis ..... D3/52
- D. 265,021 6/1982 Hayman et al. .... D3/56
- D. 291,844 9/1987 Gerver et al. .... D3/42
- D. 314,274 2/1991 Jantzen ..... D3/52
- D. 318,951 8/1991 Stricklin ..... D3/48
- D. 332,866 2/1993 Kopel et al. .... D3/56 X

FIG. 8 is a top plan view thereof, shown on an enlarged scale, with portions of the carrying strap broken away;

FIG. 9 is a front elevational view thereof, with the article shown in an open position, as distinguished from the closed position shown in the preceding figure;

### OTHER PUBLICATIONS

Kenneth Cole wallet (three photographs) (date unknown).

*Primary Examiner*—Louis S. Zarfes  
*Attorney, Agent, or Firm*—Fitch, Even, Tabin & Flannery

FIG. 10 is a rear elevational view thereof, shown in the position of FIG. 9;

FIG. 11 is a front perspective view thereof, shown with the article in a partially open position, with its zipper closures in open position, and with the checkbook cover partially lifted;

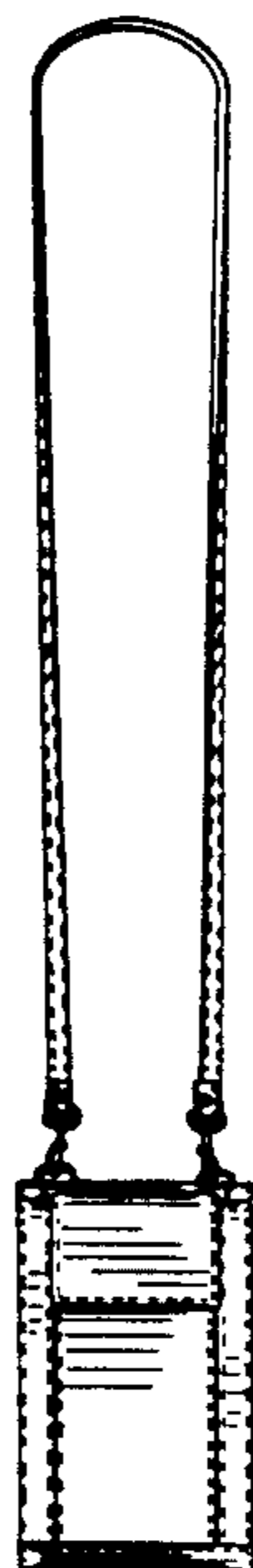
FIG. 12 is a front perspective view similar to that of FIG. 11, shown with the checkbook cover removed from its pocket, and with the zippers in closed position; and,

FIG. 13 is a rear perspective view thereof, shown with the rear pocket in an open position.

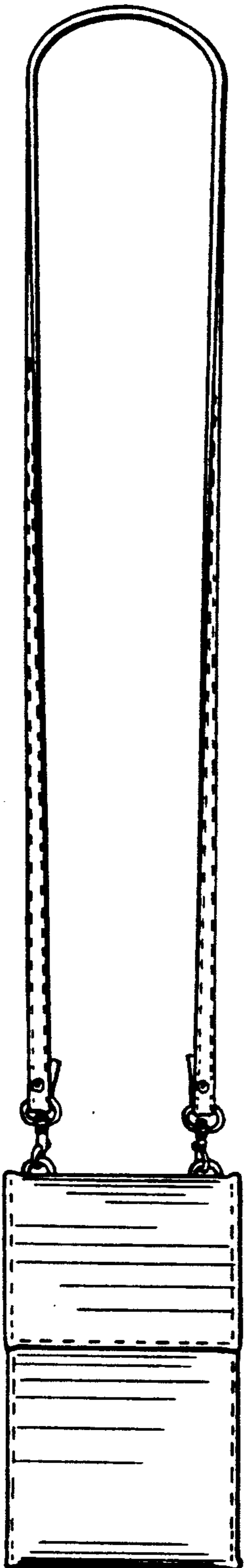
## [57] CLAIM

The ornamental design for a wallet with carrying strap, as shown and described.

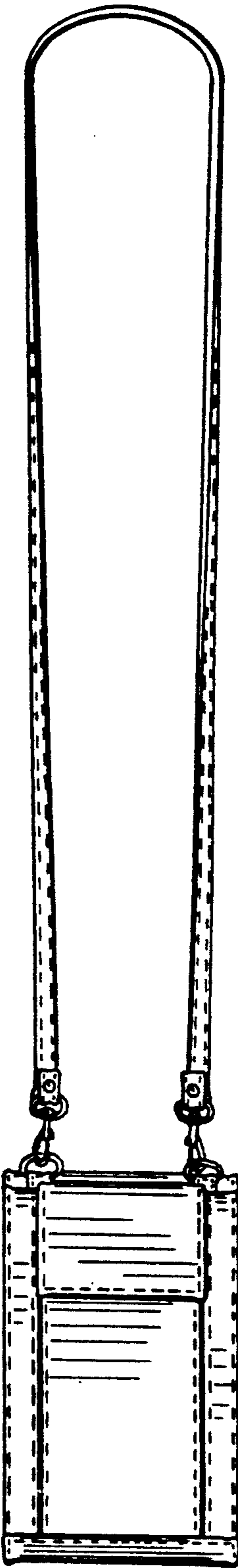
The broken line showing of contents in FIGS. 11-13 is for illustrative purposes only and forms no part of the claimed design.

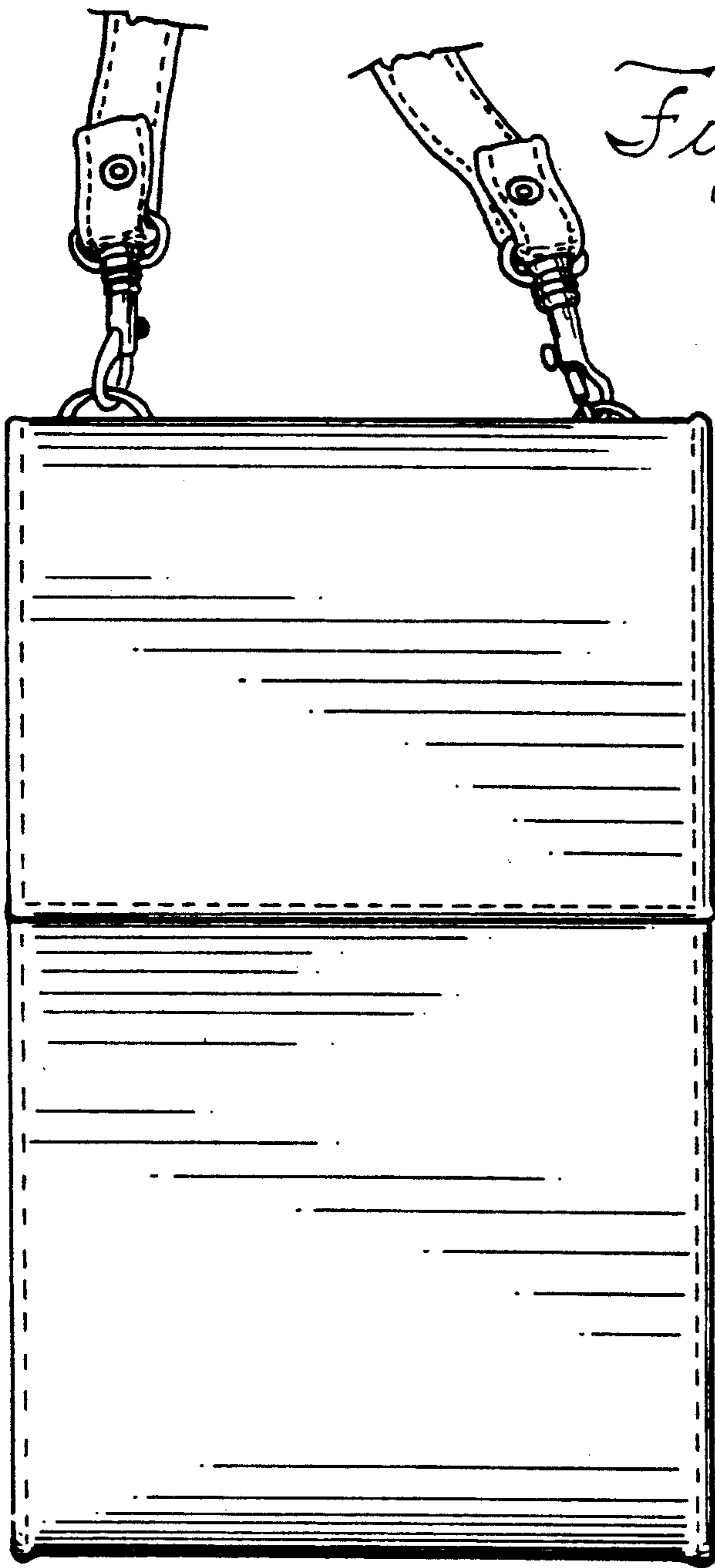


*Fig. 1*

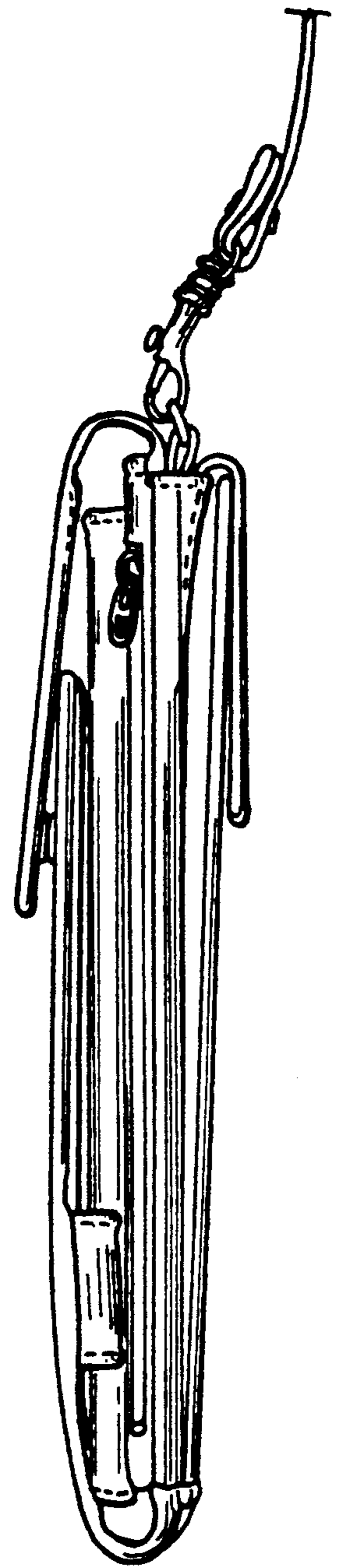


*Fig. 2*

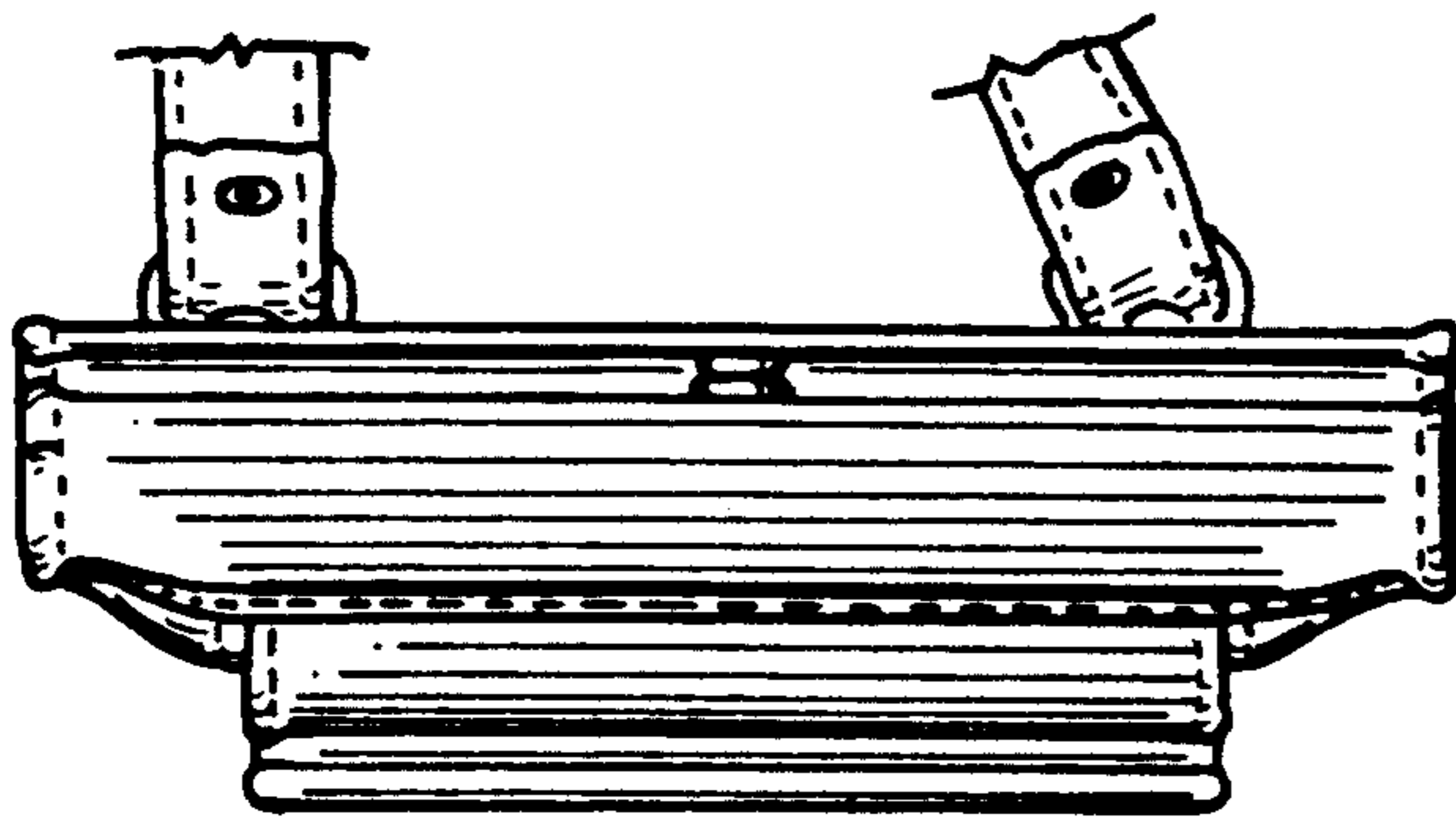




*Fig. 3*

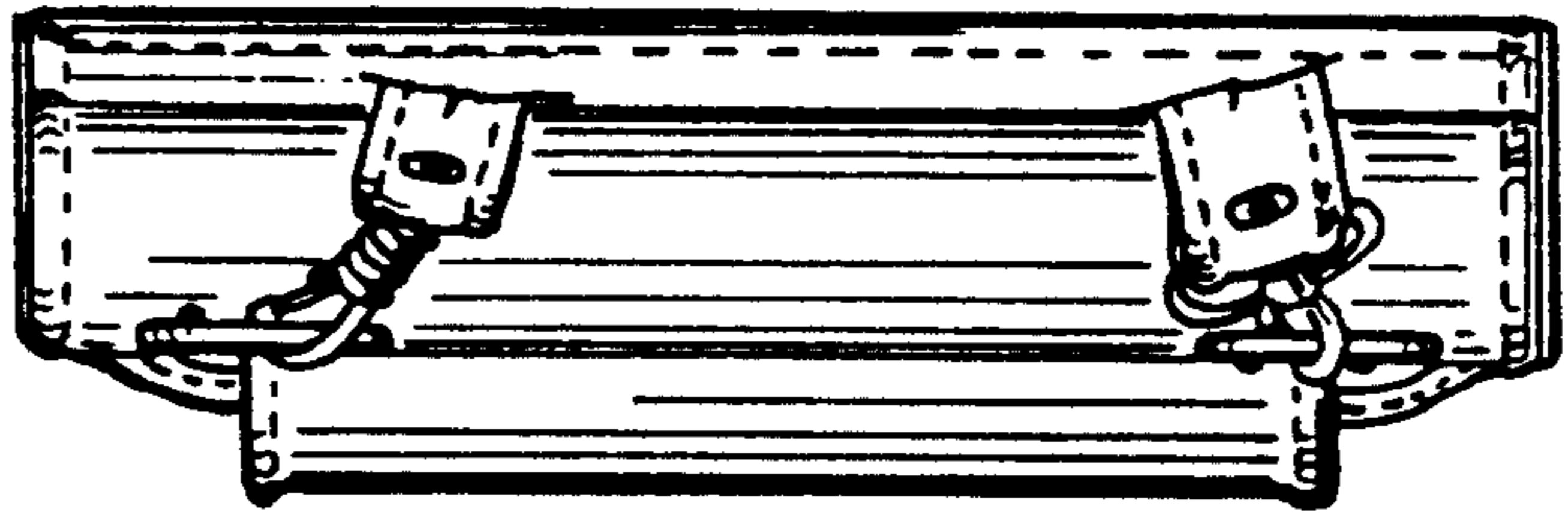


*Fig. 4*

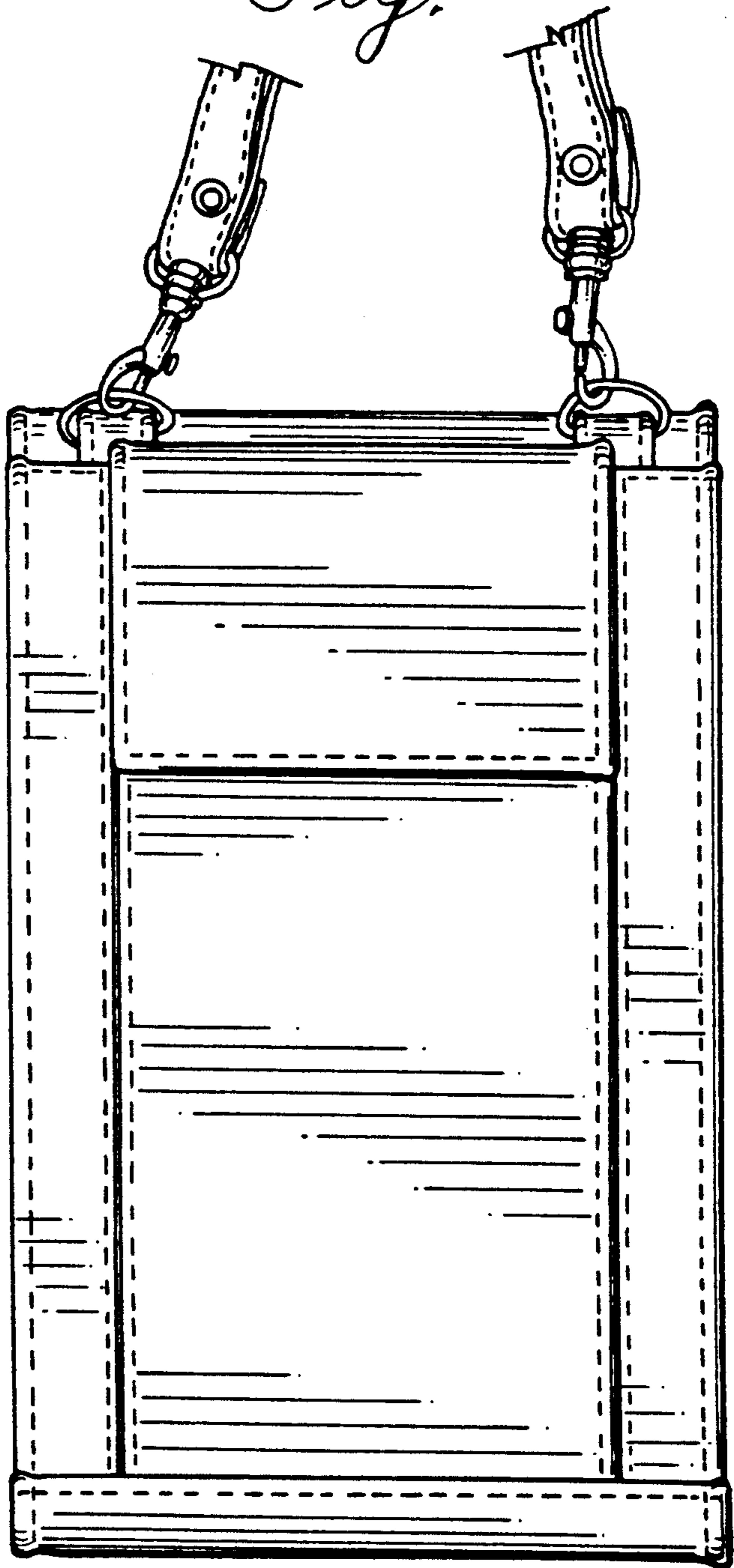


*Fig. 5*

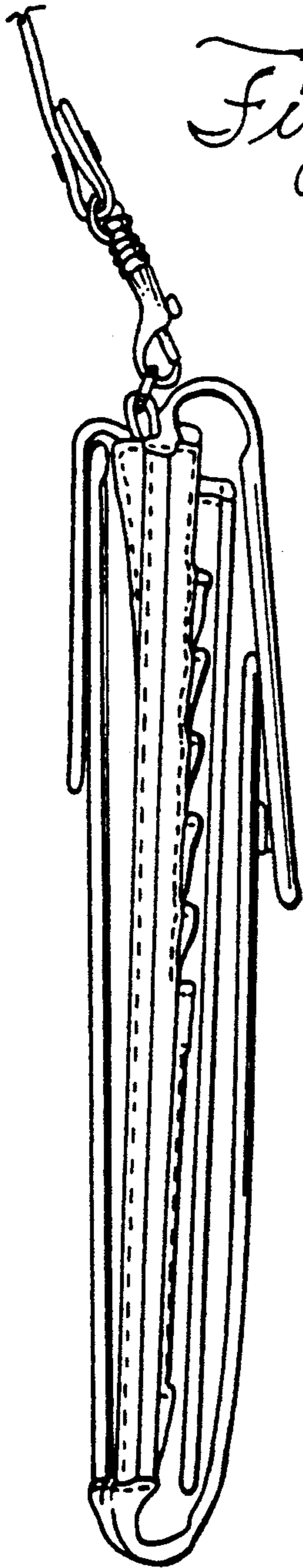
*Fig. 8*



*Fig. 7*



*Fig. 6*



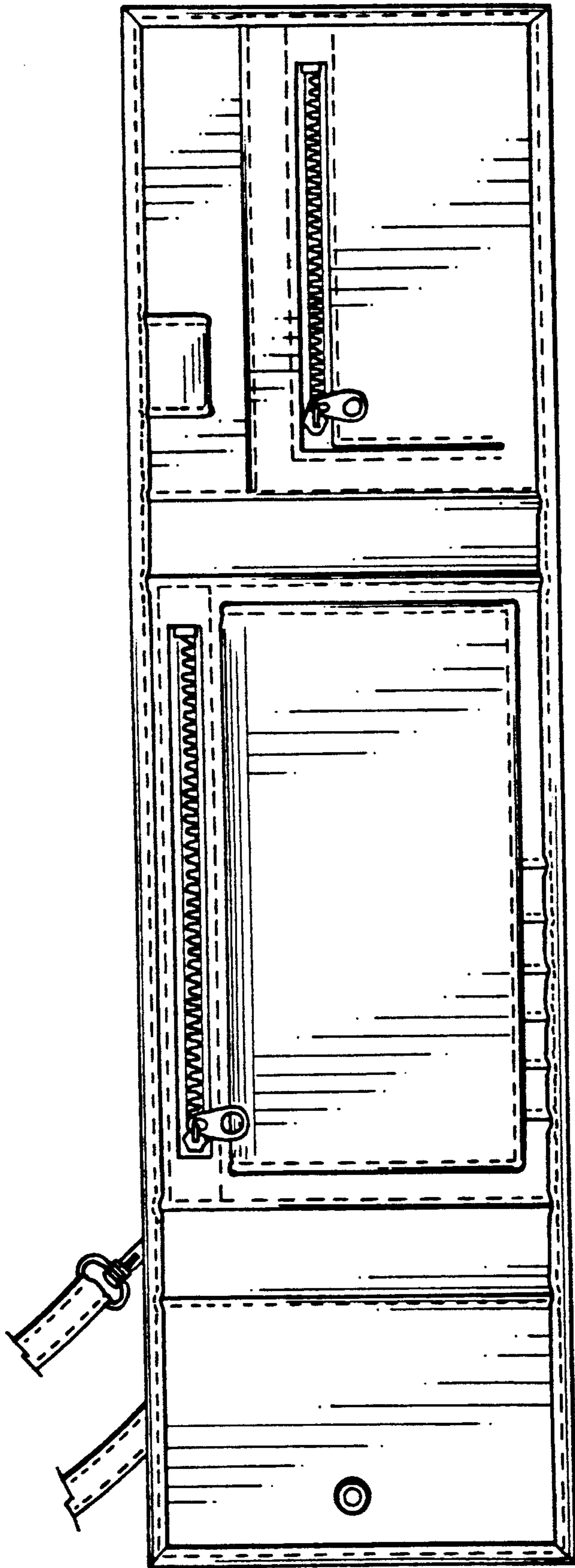
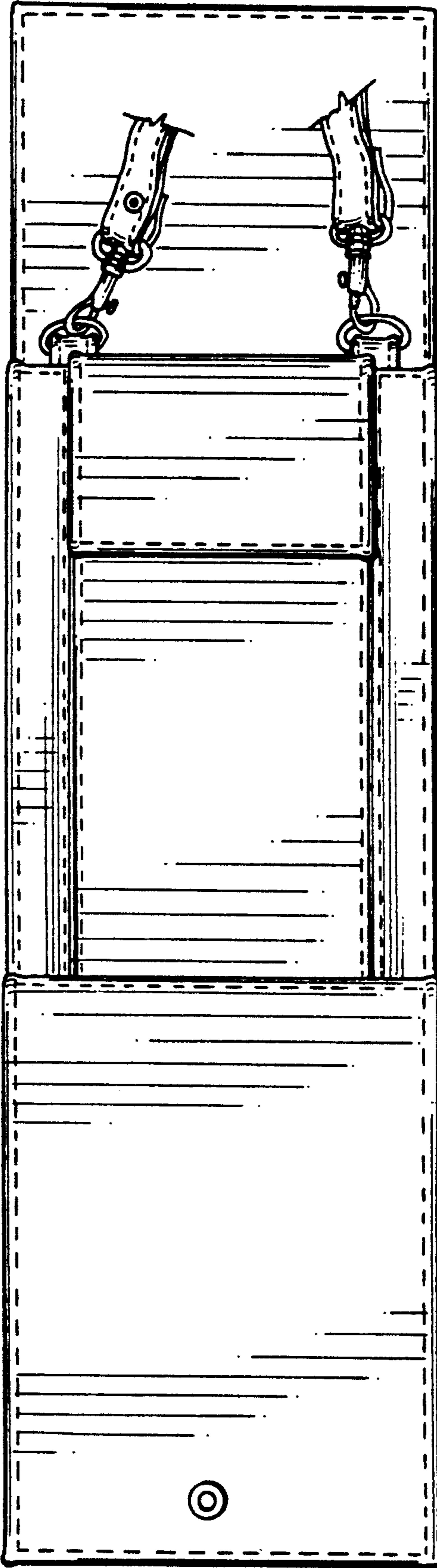
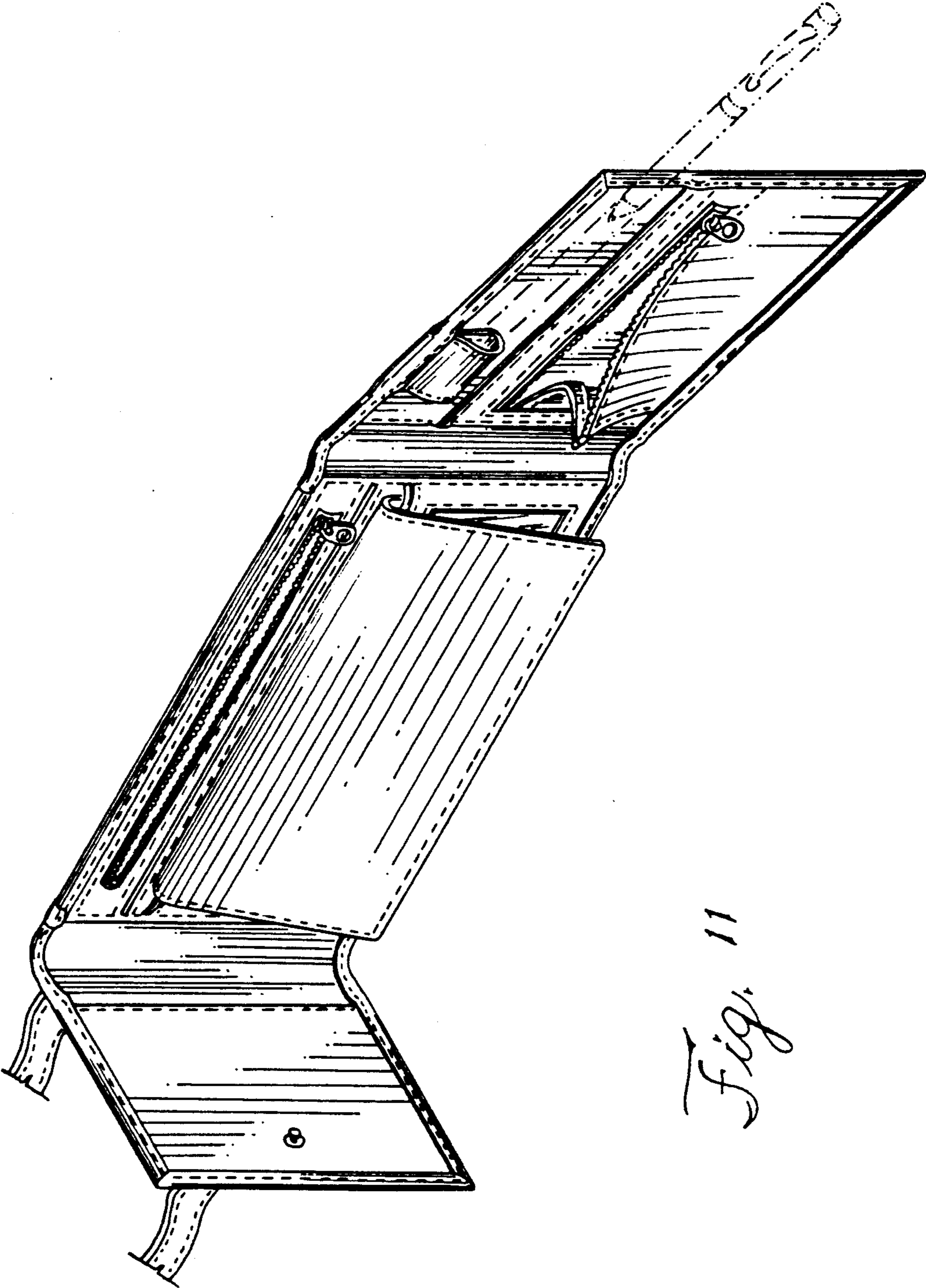


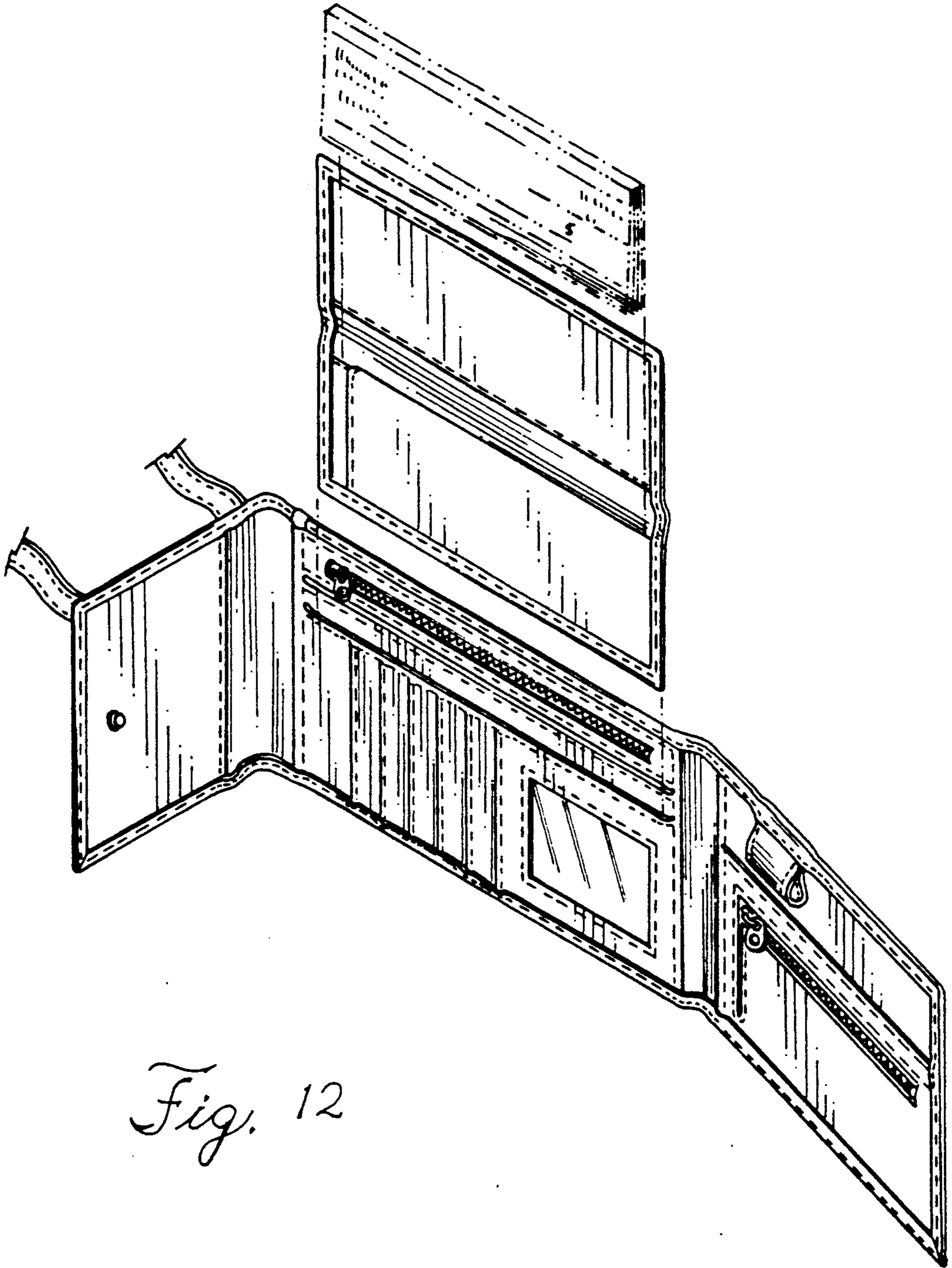
Fig. 9

*Fig. 10*





*Fig. 11*



*Fig. 12*



*Fig. 13*

