



US00D343942S

# United States Patent [19]

[11] Patent Number: **Des. 343,942**

Herrick et al.

[45] Date of Patent: **\*\* Feb. 1, 1994**

[54] **SEASONAL DECORATION SUPPORT FOR A MAILBOX**

[76] Inventors: **Thomas Herrick; Walter Dombrowski**, both of 177 Norcross St., Alpharetta, Ga. 30202

[\*\*] Term: **14 Years**

[21] Appl. No.: **907,326**

[22] Filed: **Jul. 1, 1992**

[52] U.S. Cl. .... **D99/99**

[58] Field of Search ..... 232/46, 35, 24, 17; **D99/99**

[56] **References Cited**

**U.S. PATENT DOCUMENTS**

- 2,615,267 10/1952 Brower ..... 232/46
- 4,570,846 2/1986 Morgrey ..... 232/35

*Primary Examiner*—Alan P. Douglas  
*Assistant Examiner*—J. H. Musgrove  
*Attorney, Agent, or Firm*—James A. Hinkle

[57] **CLAIM**

The ornamental design for a seasonal decoration support for a mailbox, as shown and described.

**DESCRIPTION**

FIG. 1 is a perspective view of a seasonal decoration support for a mailbox showing our new design and shown mounted on a mailbox;

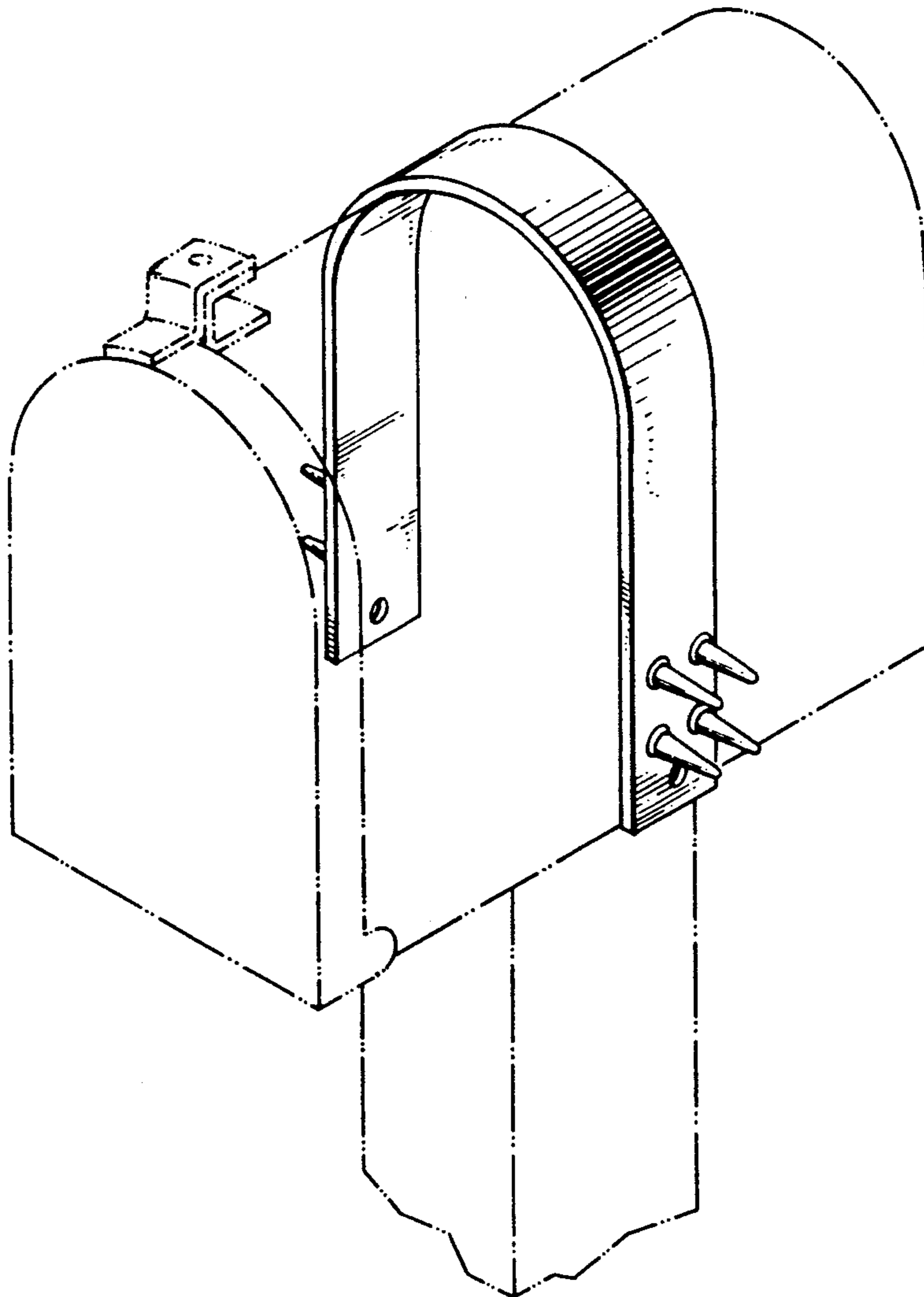
FIG. 2 is a front elevational view thereof;

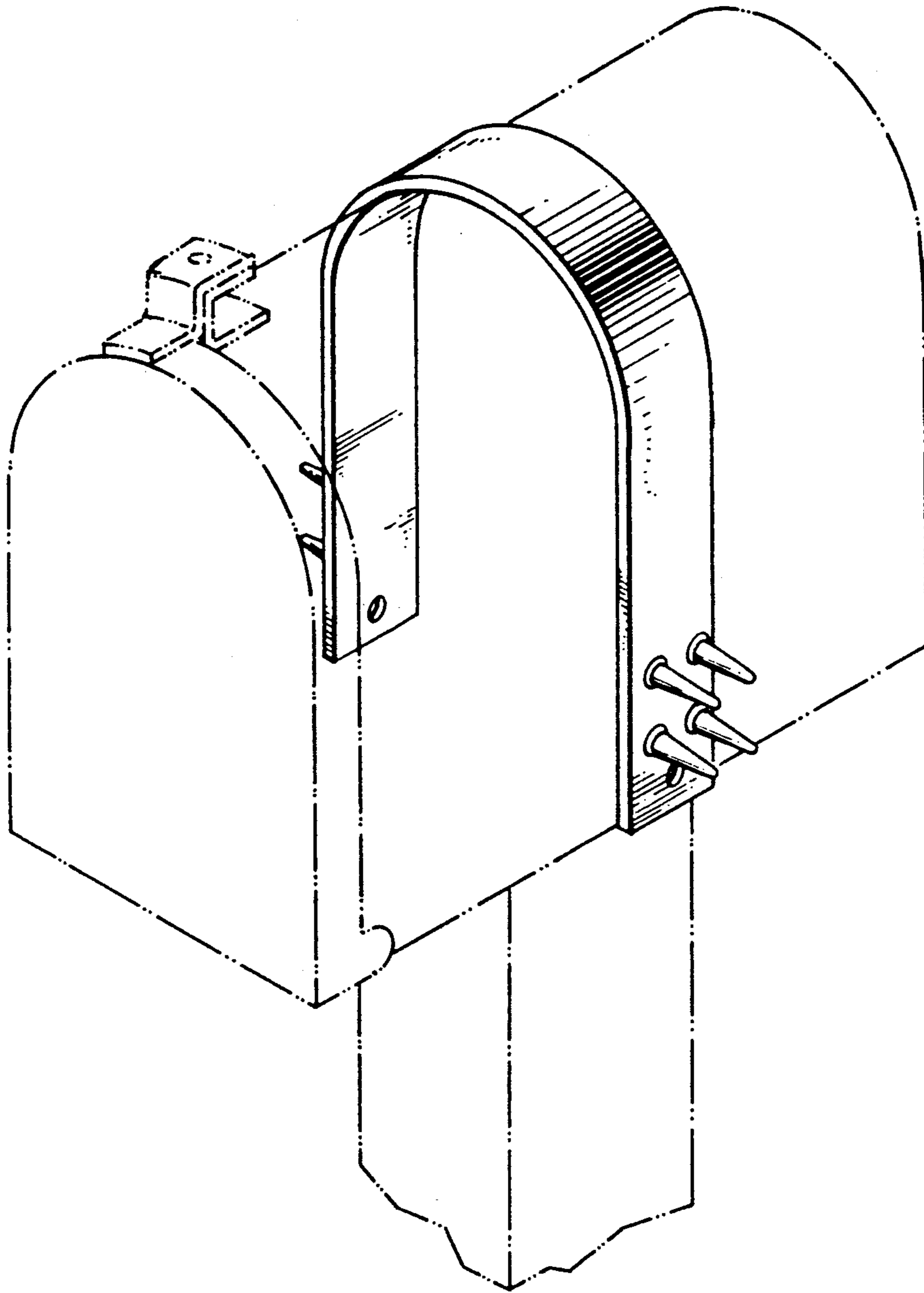
FIG. 3 is a top plan view thereof;

FIG. 4 is a side elevational view thereof, the opposite side being a mirror image; and,

FIG. 5 is a bottom plan view thereof.

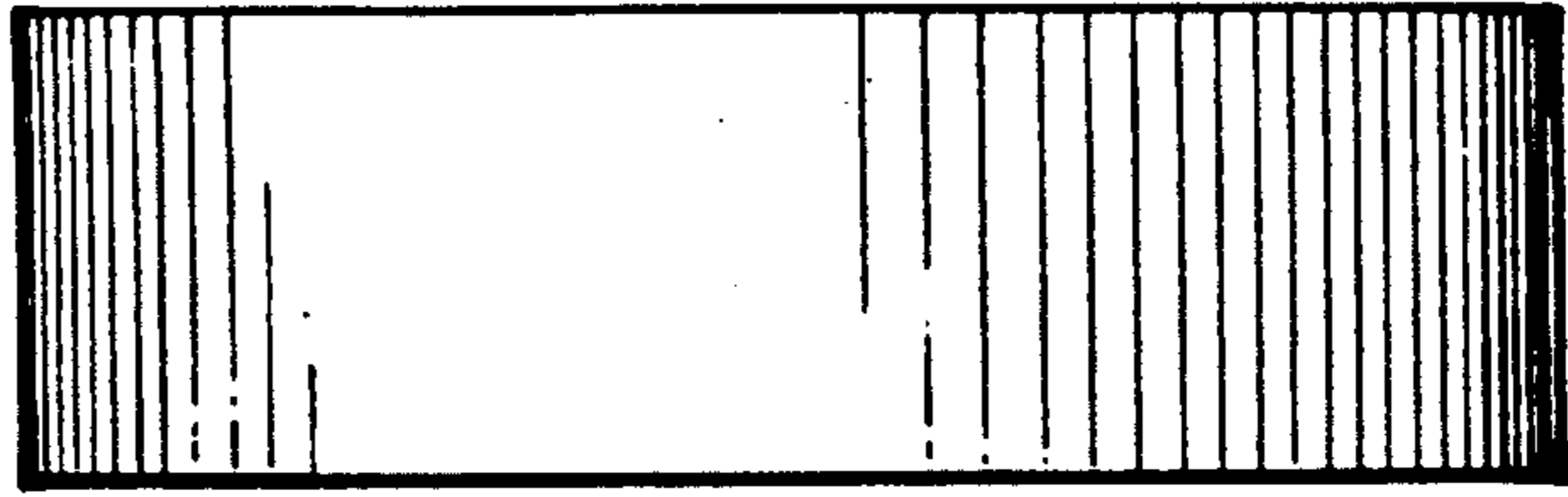
The broken line showing of a mailbox is for illustrative environmental purposes only and forms no part of the claimed design.



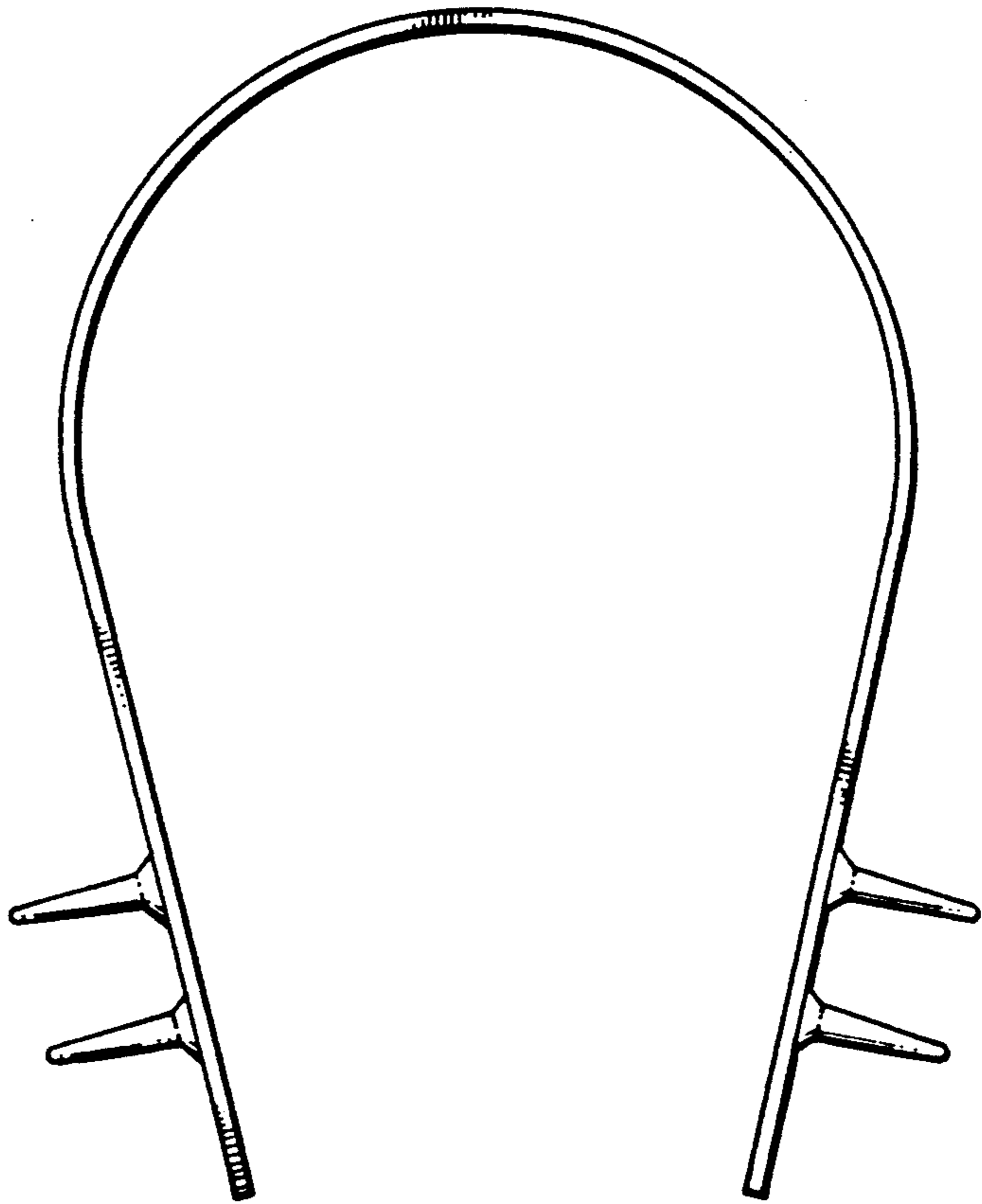
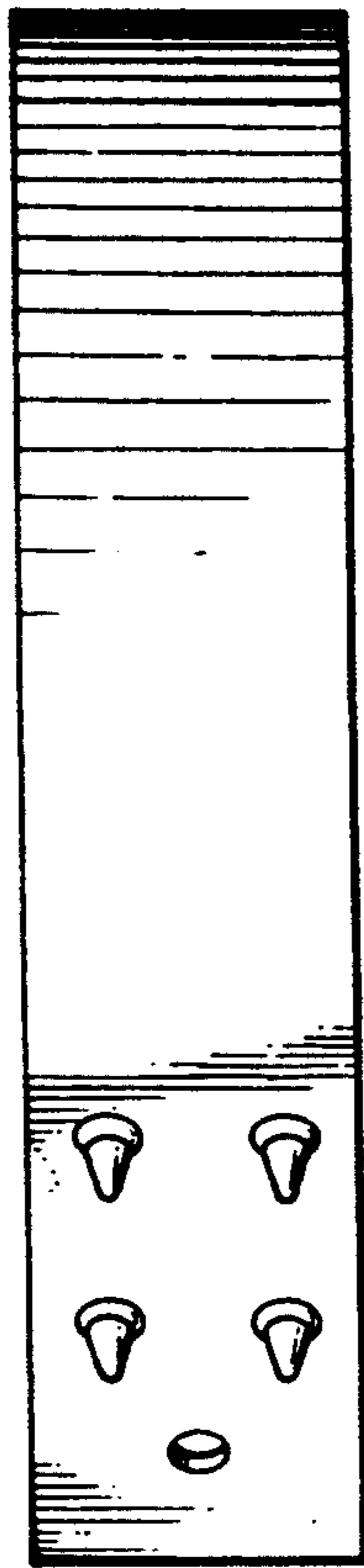


**FIG. 1**

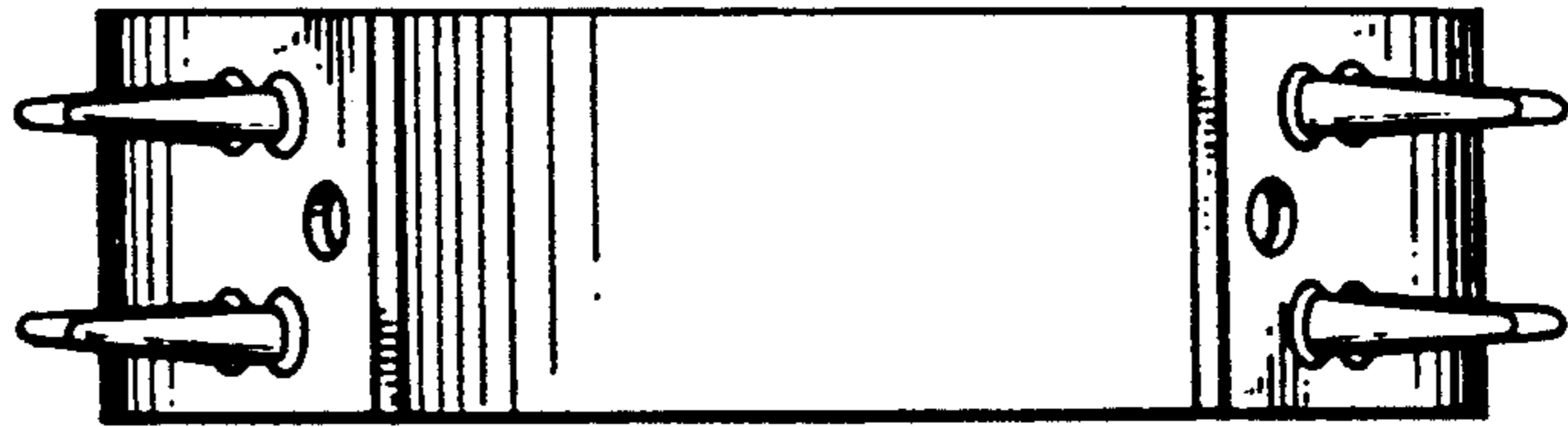
*Fig. 3*



*Fig. 4*



*Fig. 2*



*Fig. 5*