



US00D343941S

# United States Patent [19]

Andersson et al.

[11] Patent Number: Des. 343,941

[45] Date of Patent: \*\* Feb. 1, 1994

[54] COFFIN

D. 309,033 7/1990 Mohr ..... D99/1 X

[75] Inventors: **Soini Andersson; Stefan Lindh**, both of Tyringe; **Stig Svensson**, Perstorp, all of Sweden

*Primary Examiner*—Alan P. Douglas  
*Assistant Examiner*—J. H. Musgrove  
*Attorney, Agent, or Firm*—Stevens, Davis, Miller & Mosher

[73] Assignee: **Perstorp AB**, Perstorp, Sweden

### [57] CLAIM

[\*\*] Term: **14 Years**

The ornamental design for a coffin, as shown and described.

[21] Appl. No.: **810,921**

[22] Filed: **Dec. 20, 1991**

### DESCRIPTION

### [30] Foreign Application Priority Data

Jun. 24, 1991 [SE] Sweden ..... 9911298

[52] U.S. Cl. .... **D99/1**

[58] Field of Search ..... 27/1-20;  
D99/1-2

FIG. 1 is a perspective view of our design for a coffin, showing the top and two sides; the view from the other side is a mirror image thereof;

FIG. 2 is an exploded perspective view similar to FIG. 1 but with the lid separated, a view taken from the opposite point being the reverse of that shown;

FIG. 3 is a top plan view thereof;

FIG. 4 is a bottom plan view thereof;

FIG. 5 is a front elevational view, the rear elevational view being a mirror image; and,

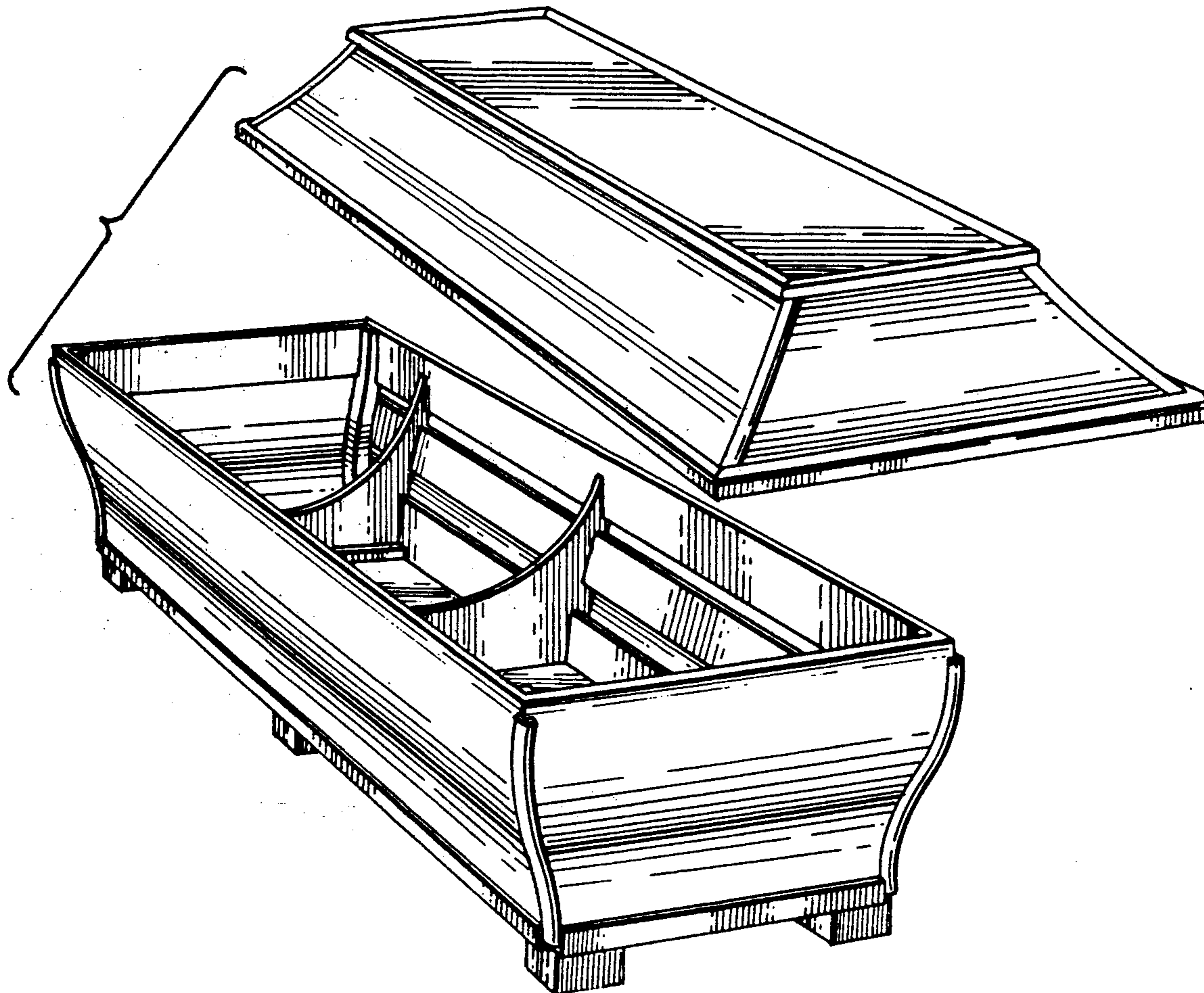
FIG. 6 is an elevational end view; the other end is a mirror image thereof.

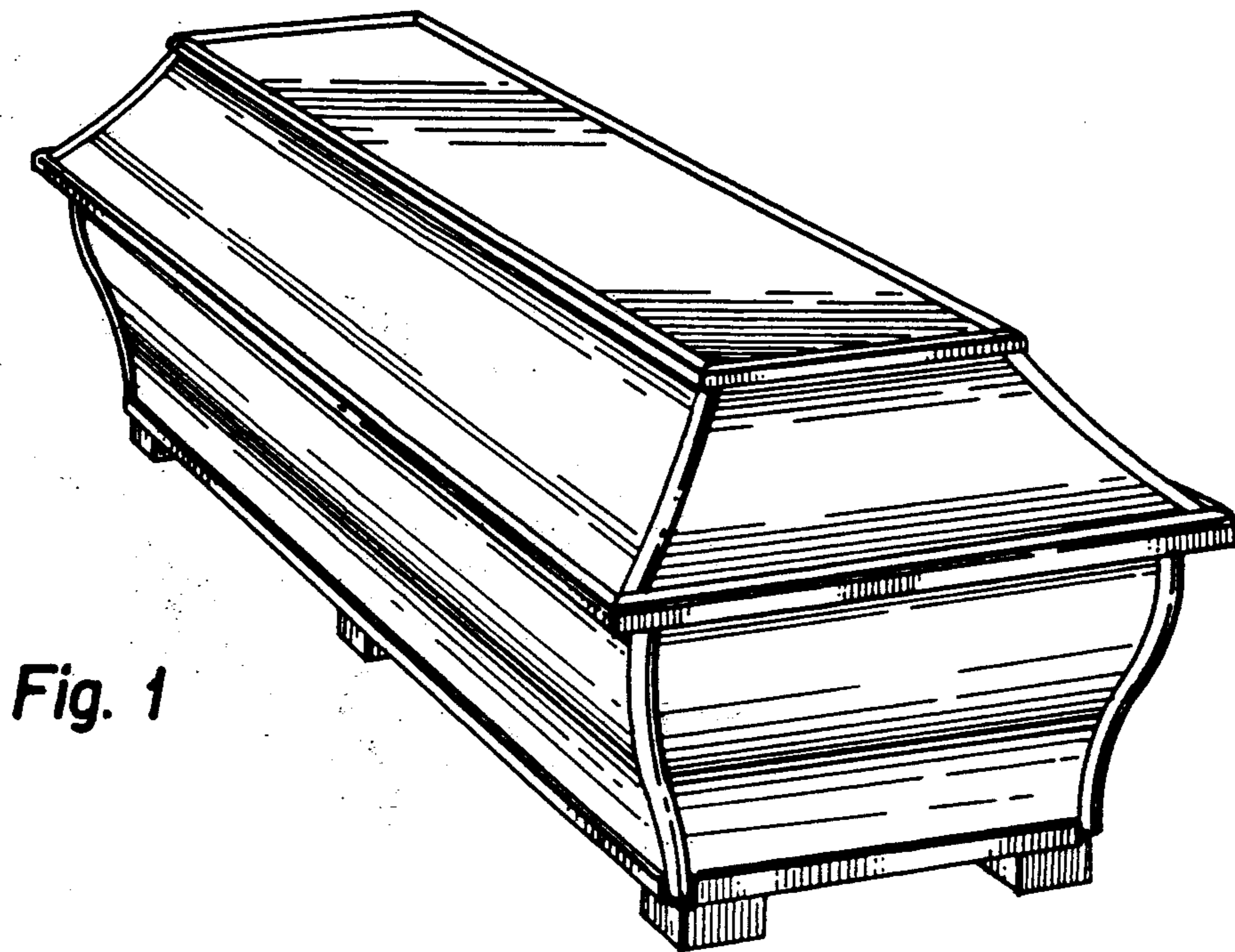
### [56] References Cited

#### U.S. PATENT DOCUMENTS

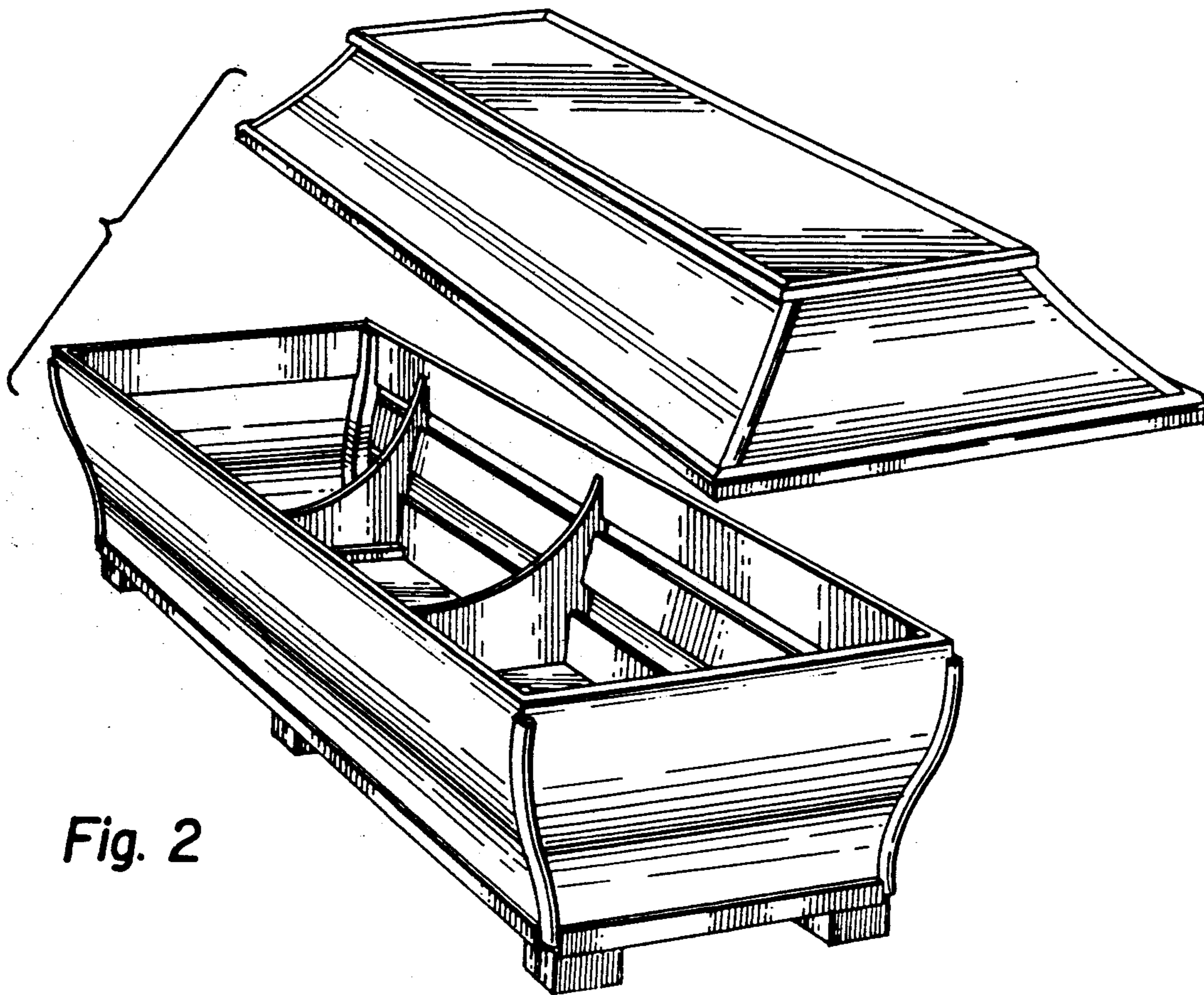
D. 292,839 11/1987 Brogdon ..... D99/1

305,402 9/1884 Otto, Jr. .... D99/1 X





*Fig. 1*



*Fig. 2*



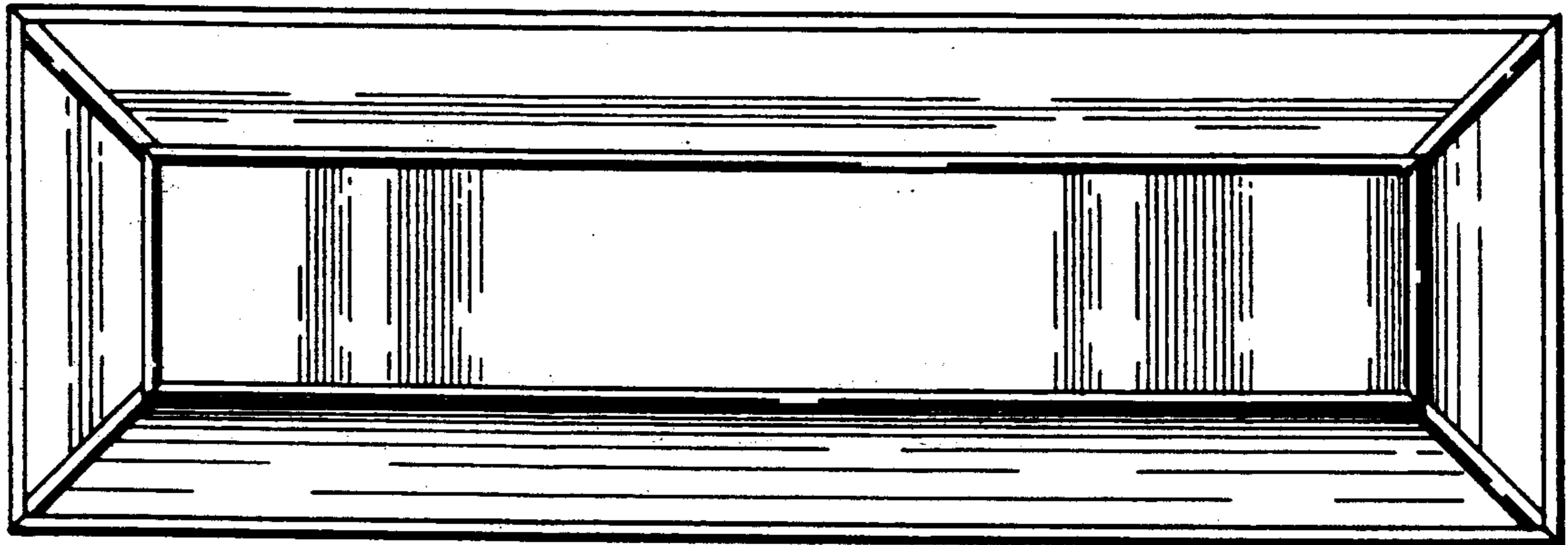


Fig. 3

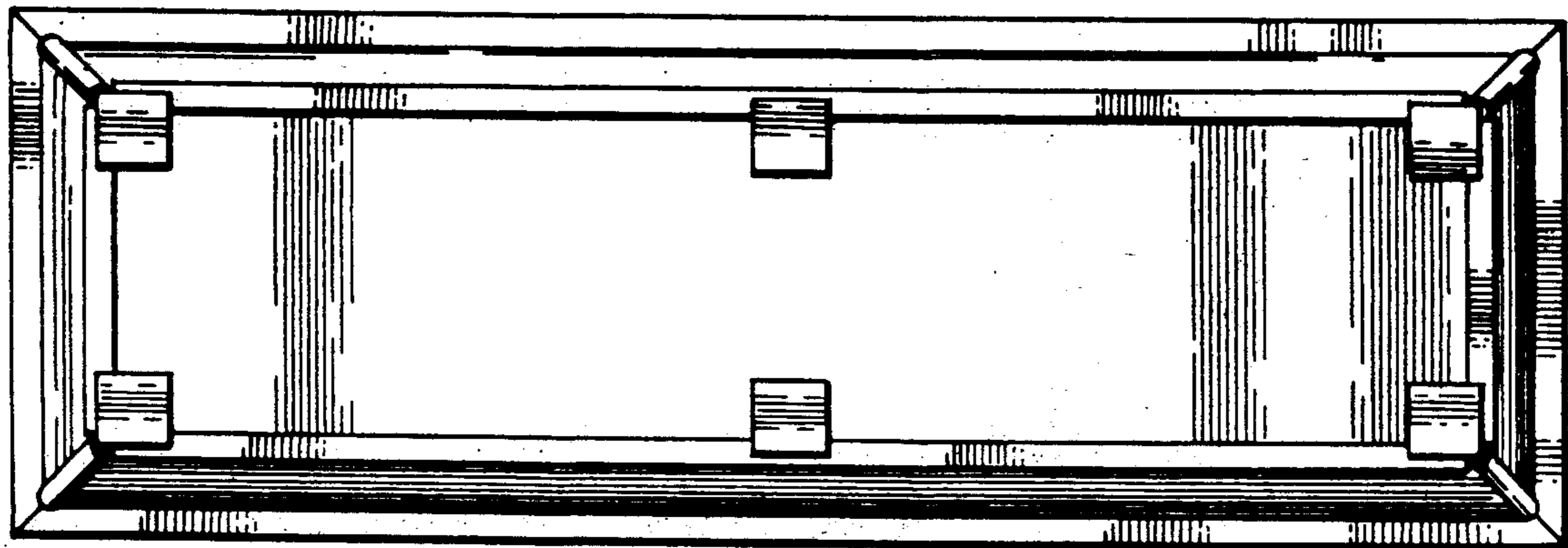


Fig. 4

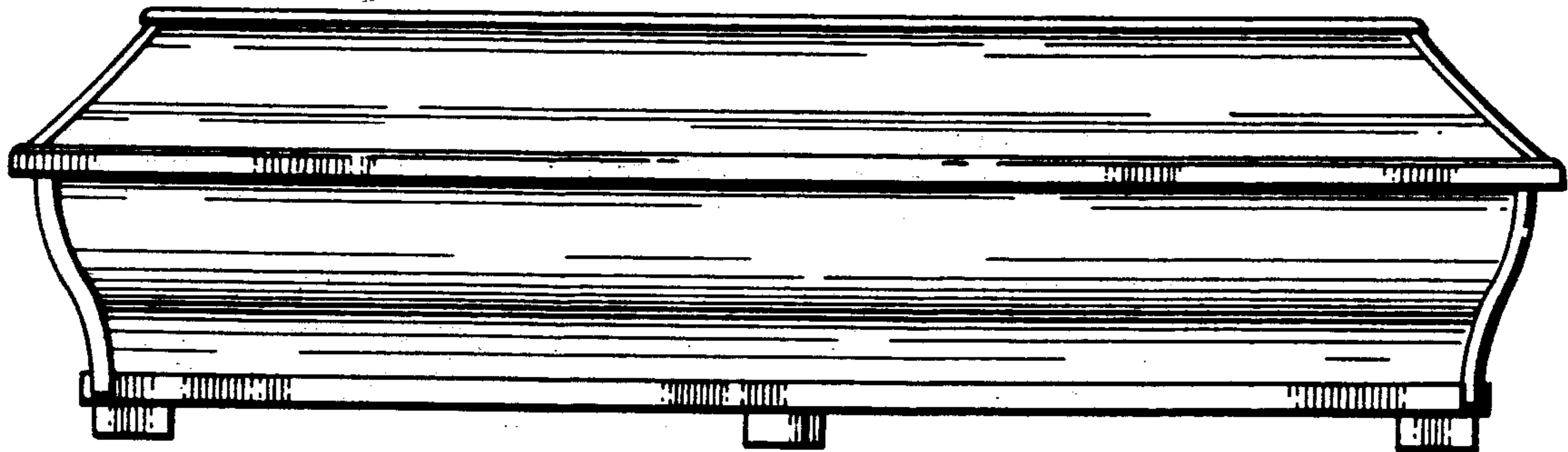


Fig. 5

Fig. 6

