



US00D343940S

United States Patent [19]
Glass

[11] **Patent Number: Des. 343,940**

[45] **Date of Patent: ** Feb. 1, 1994**

[54] **COIN SCOOP**

[76] **Inventor: Marne Glass, 9210 Whitney Way,
Cypress, Calif. 90630**

[**] **Term: 14 Years**

[21] **Appl. No.: 2,894**

[22] **Filed: Dec. 22, 1992**

[52] **U.S. Cl. D99/34; D8/10**

[58] **Field of Search D8/10; 206/0.8, 0.81,
206/0.82, 0.83; 294/55, 131; 209/418, 419;
D99/34**

D. 332,675 1/1993 Simon D8/10
4,483,560 11/1984 Lordi 294/55
4,635,843 1/1987 Tomlinson 294/55

*Primary Examiner—Alan P. Douglas
Assistant Examiner—J. H. Musgrove
Attorney, Agent, or Firm—Walter A. Hackler*

[57] **CLAIM**

The ornamental design for the coin scoop, as shown and described.

DESCRIPTION

FIG. 1 is a perspective view of the right side, top and front of the present invention;
FIG. 2 is a plan view of the present invention;
FIG. 3 is a view of the left side of the present invention;
FIG. 4 is a front view of the present invention;
FIG. 5 is a rear view of the present invention; and,
FIG. 6 is a bottom view of the present invention.

[56] **References Cited**

U.S. PATENT DOCUMENTS

D. 272,799 2/1984 Pluss D8/10
D. 301,930 6/1989 Cantu D99/34
D. 308,277 5/1990 Walker D99/34

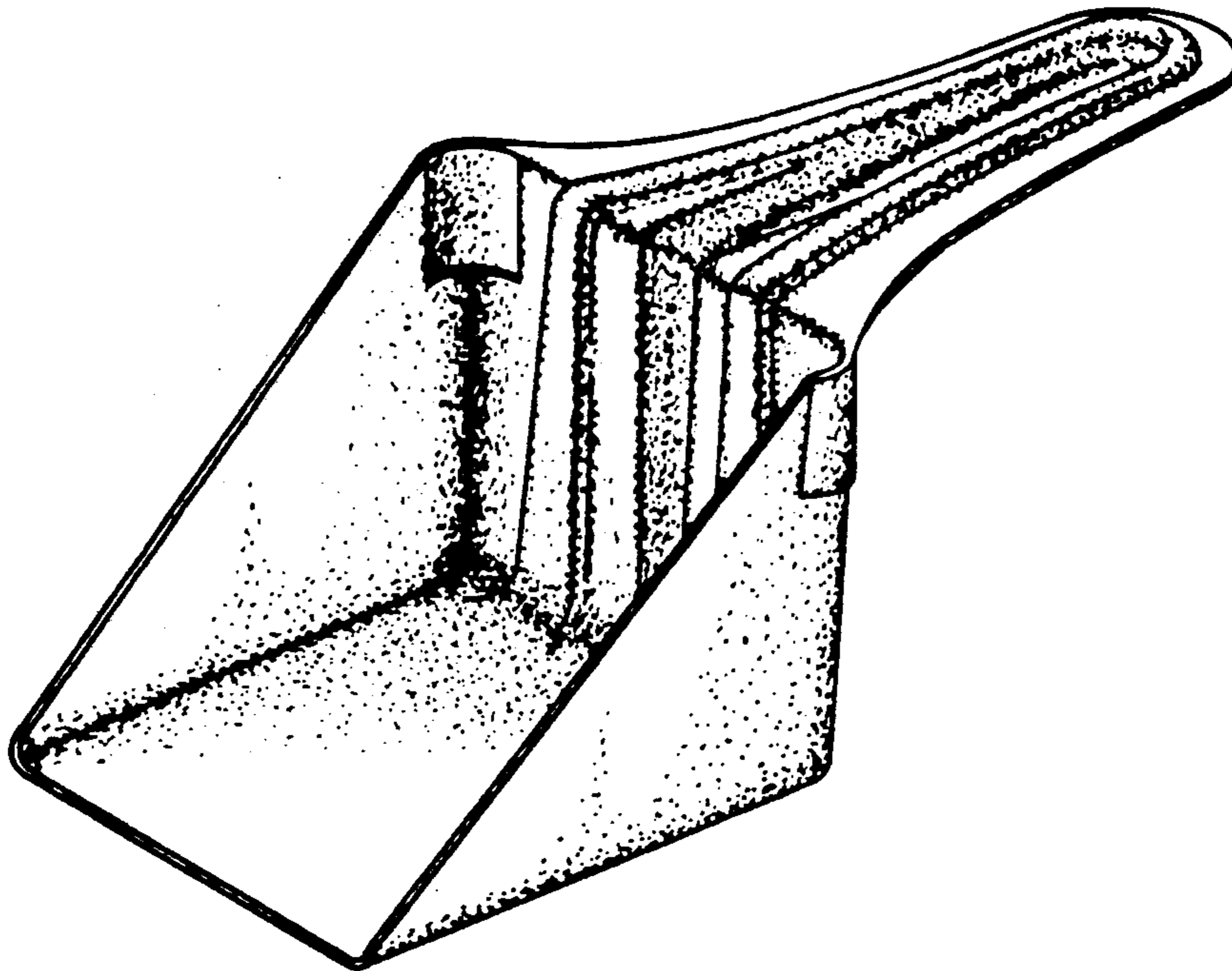


FIG. 1.

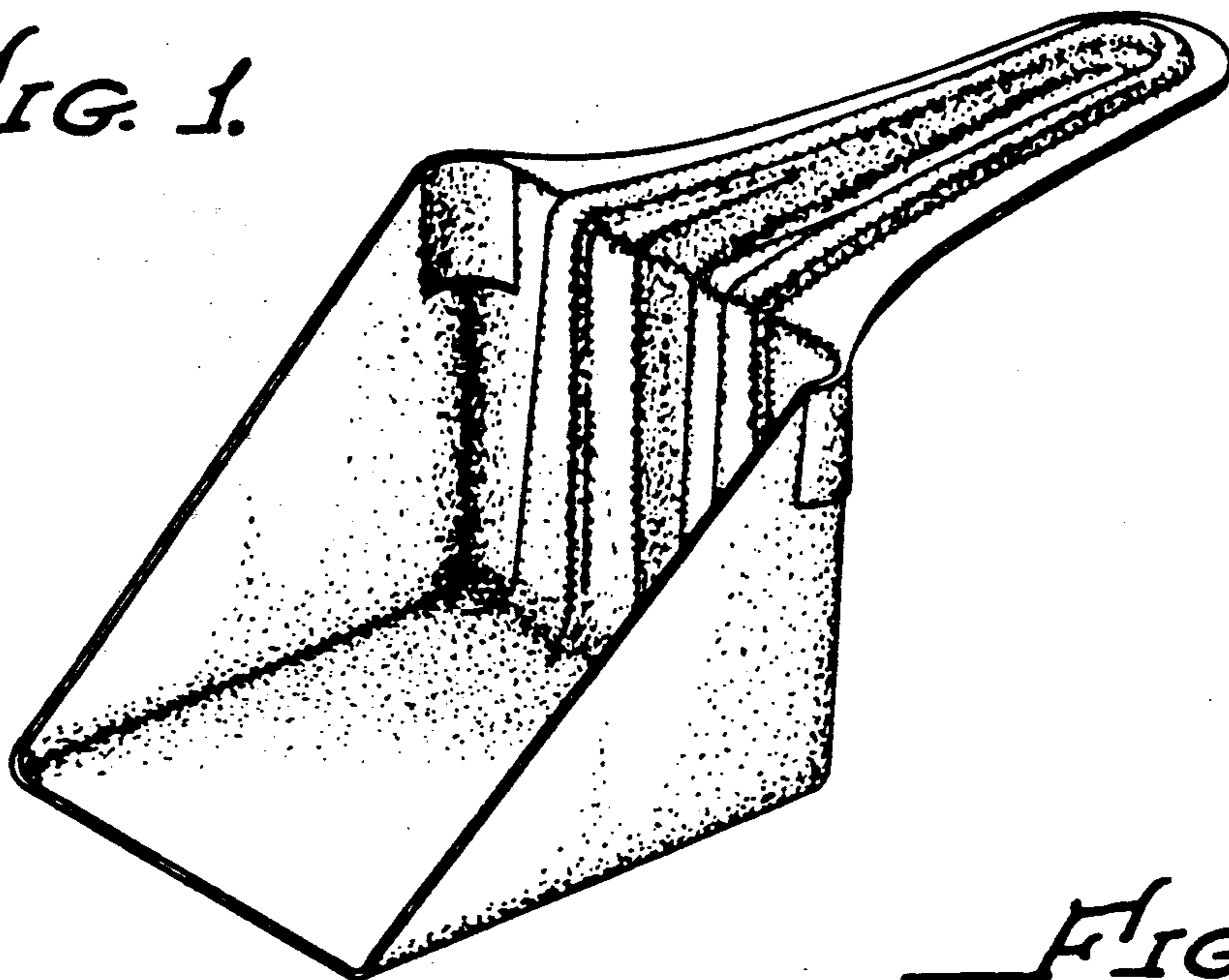


FIG. 2.

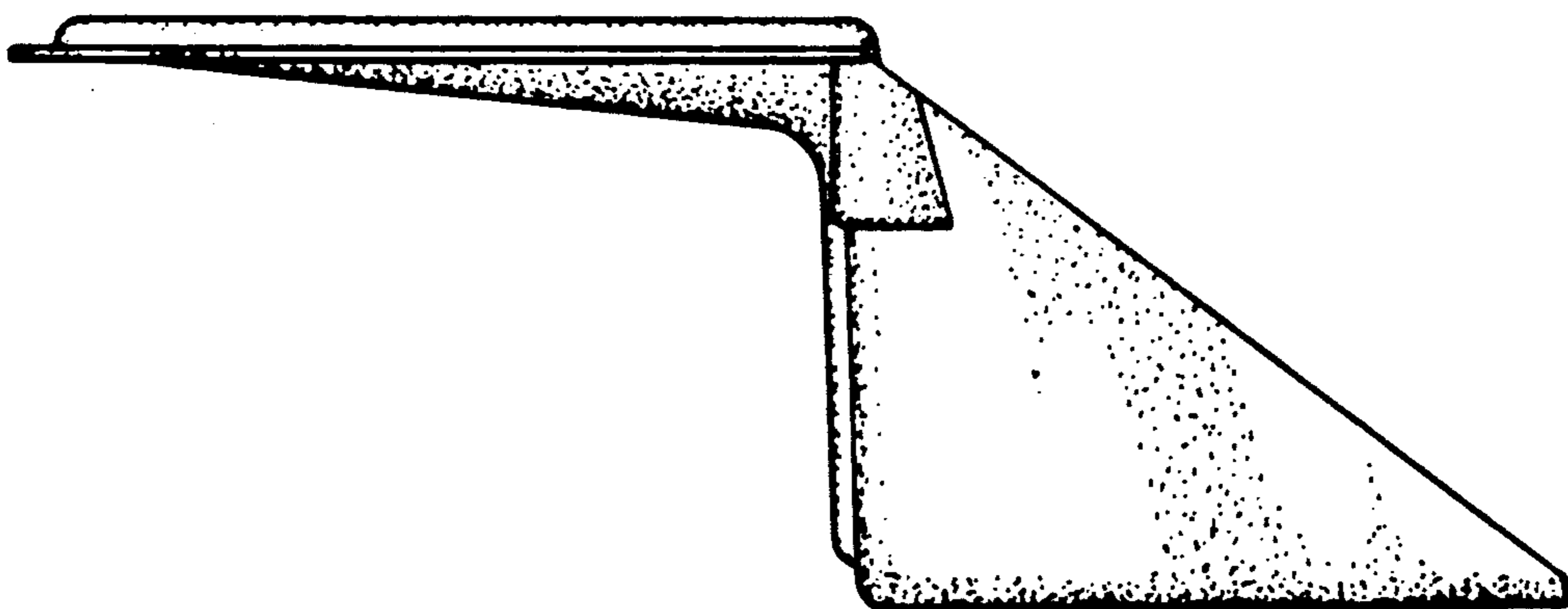
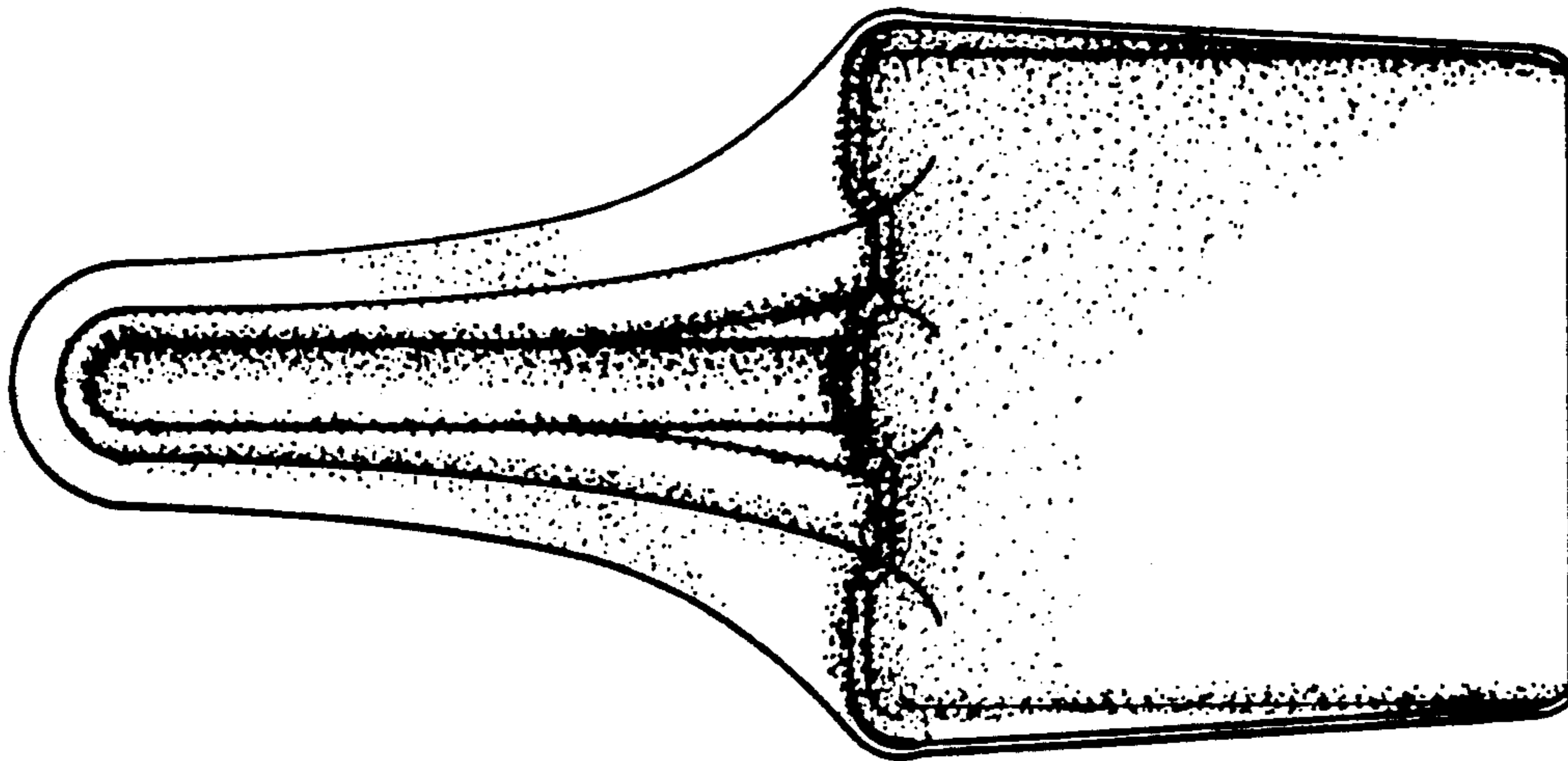


FIG. 3.

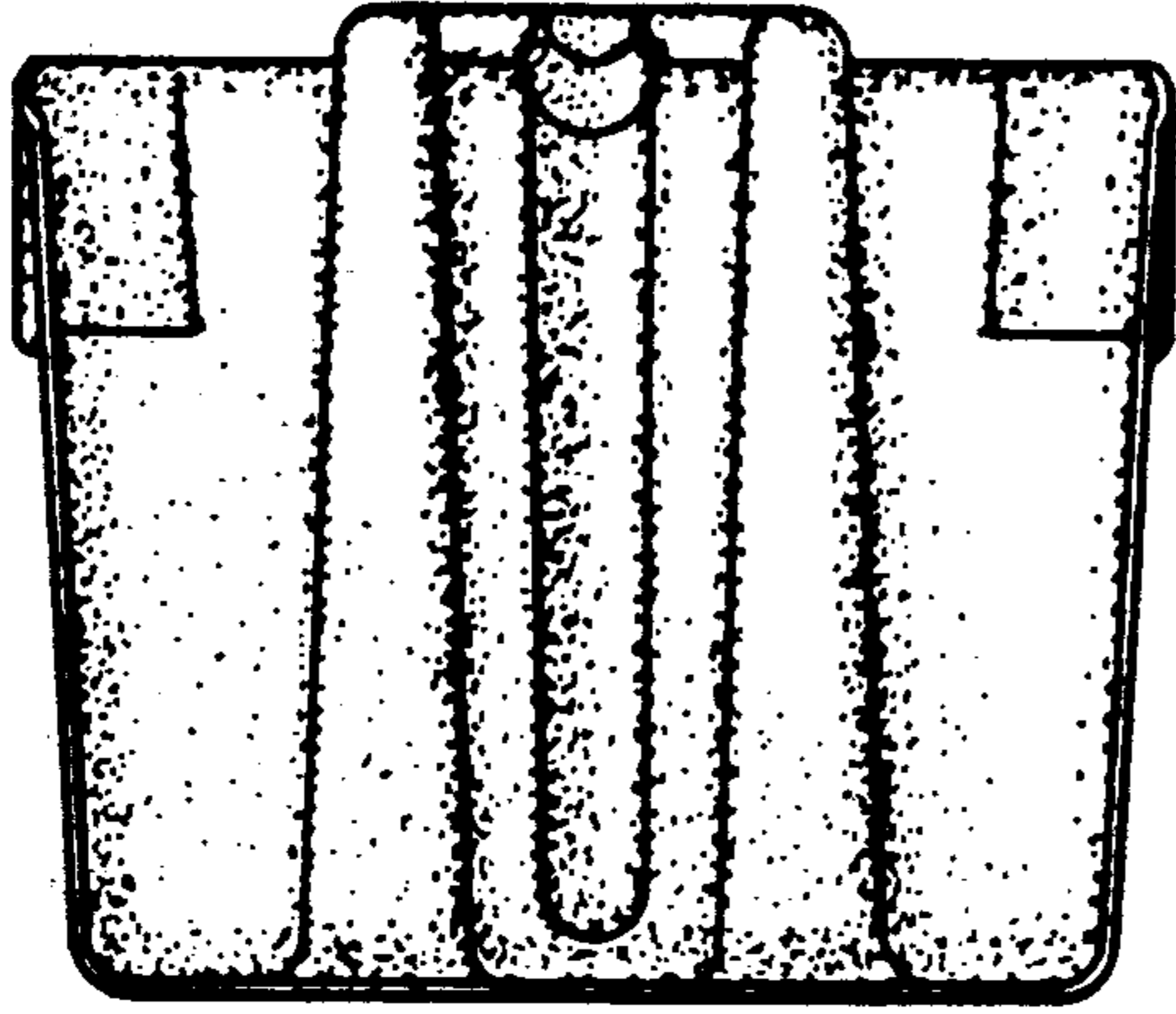


FIG. 4.

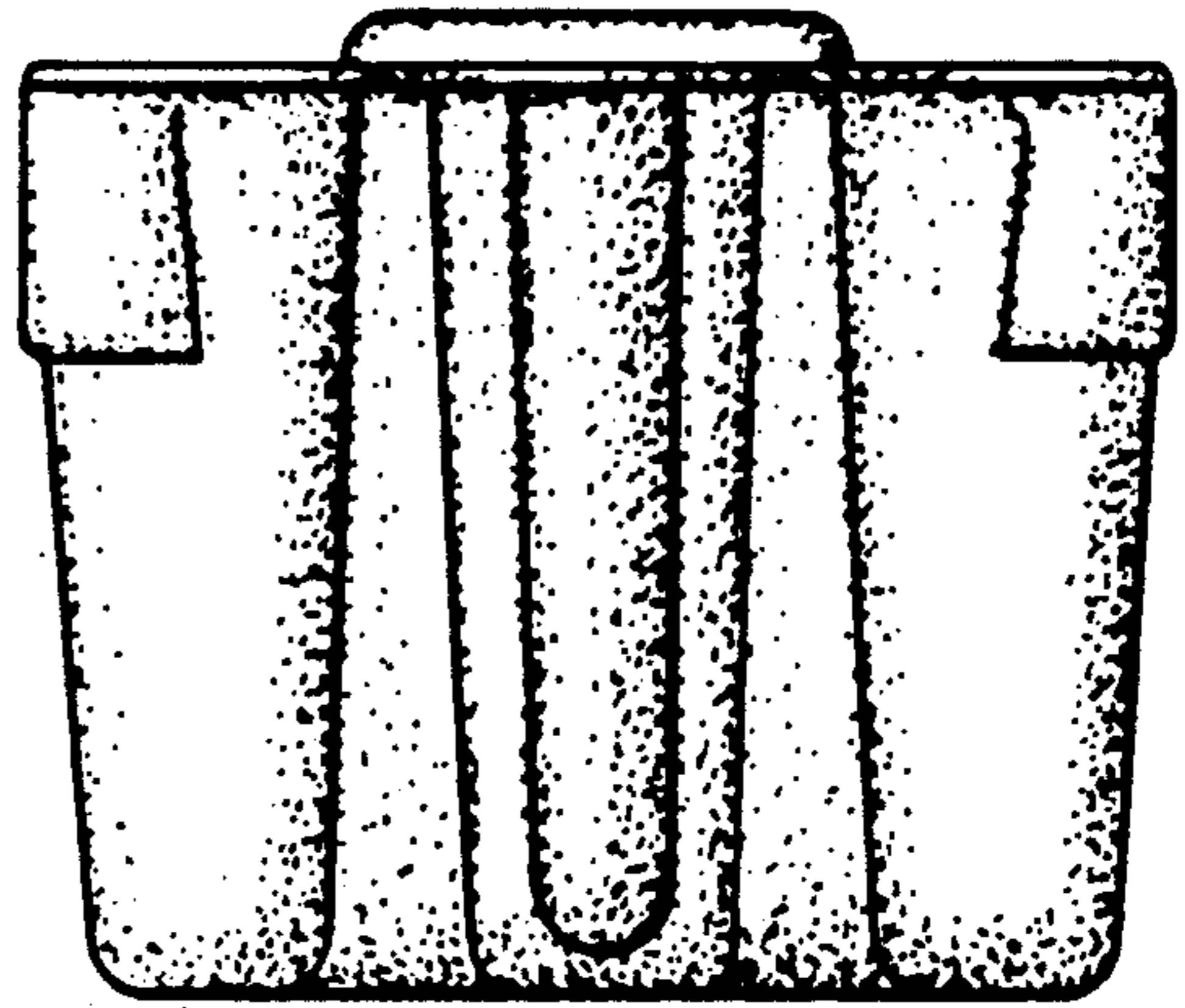


FIG. 5.

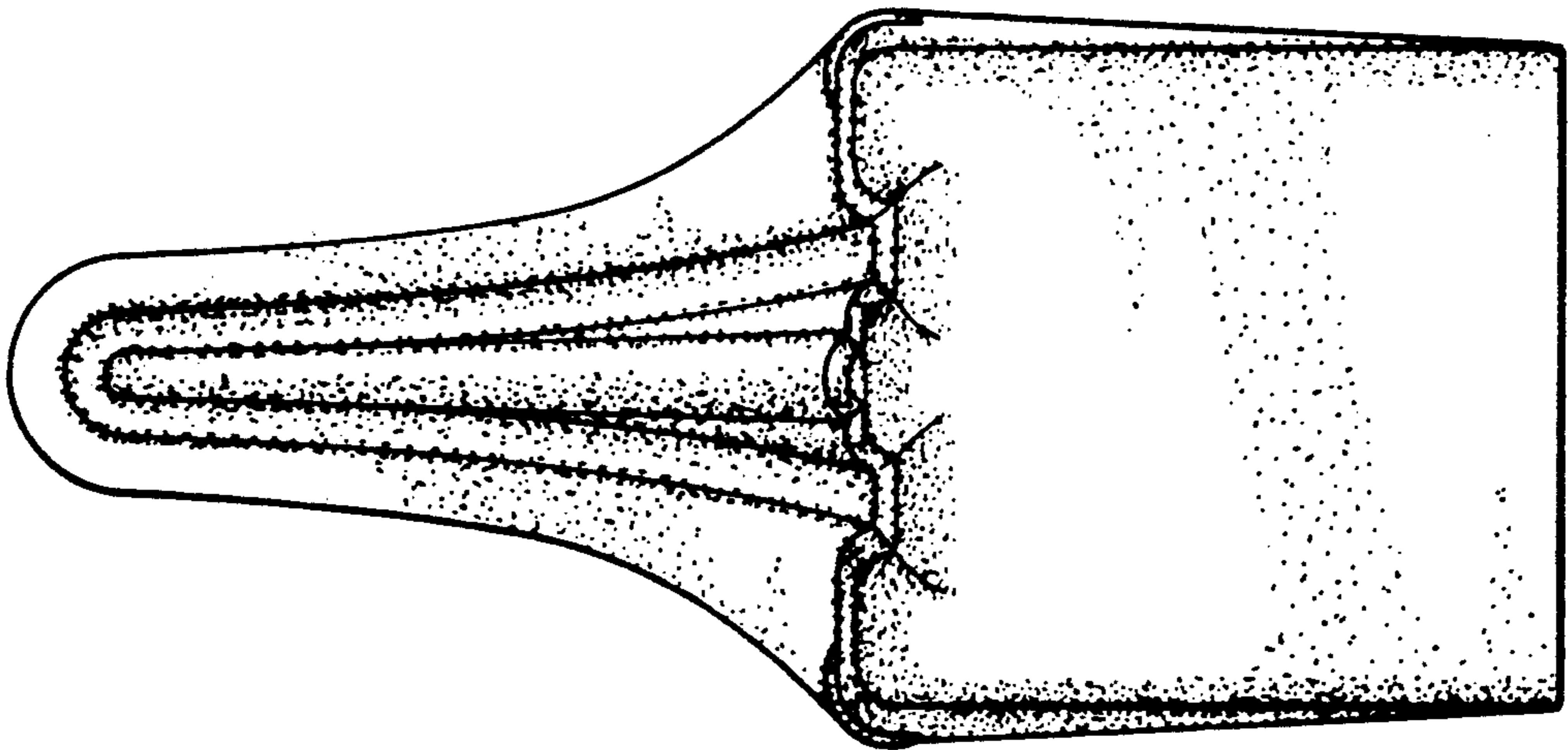


FIG. 6.