



US00D343939S

United States Patent [19]

[11] Patent Number: **Des. 343,939**

Rojdev

[45] Date of Patent: **** Feb. 1, 1994**

[54] **MULTI-POSITIONABLE ARM REST FOR A DECEASED**

[75] Inventor: **Ilija Rojdev, Cincinnati, Ohio**

[73] Assignee: **Batesville Casket Company, Inc., Batesville, Ind.**

[**] Term: **14 Years**

[21] Appl. No.: **896,335**

[22] Filed: **Jun. 11, 1992**

[52] U.S. Cl. **D99/99**

[58] Field of Search **27/18, 12; D99/99**

[56] **References Cited**

U.S. PATENT DOCUMENTS

872,584	12/1907	Reno	27/13
3,748,705	7/1973	Deaton	27/13 X
3,799,534	3/1974	Coles	27/13 X
3,955,252	5/1976	Reda	27/13 X

Primary Examiner—Alan P. Douglas
Assistant Examiner—Jeff Musgrove
Attorney, Agent, or Firm—Wood, Herron & Evans

[57] **CLAIM**

The ornamental design for a multi-positionable arm rest for a deceased, as shown and described.

DESCRIPTION

FIG. 1 is a perspective view of my new, original and ornamental design for a multi-positionable arm rest for a deceased;

FIG. 2 is a top plan view thereof;

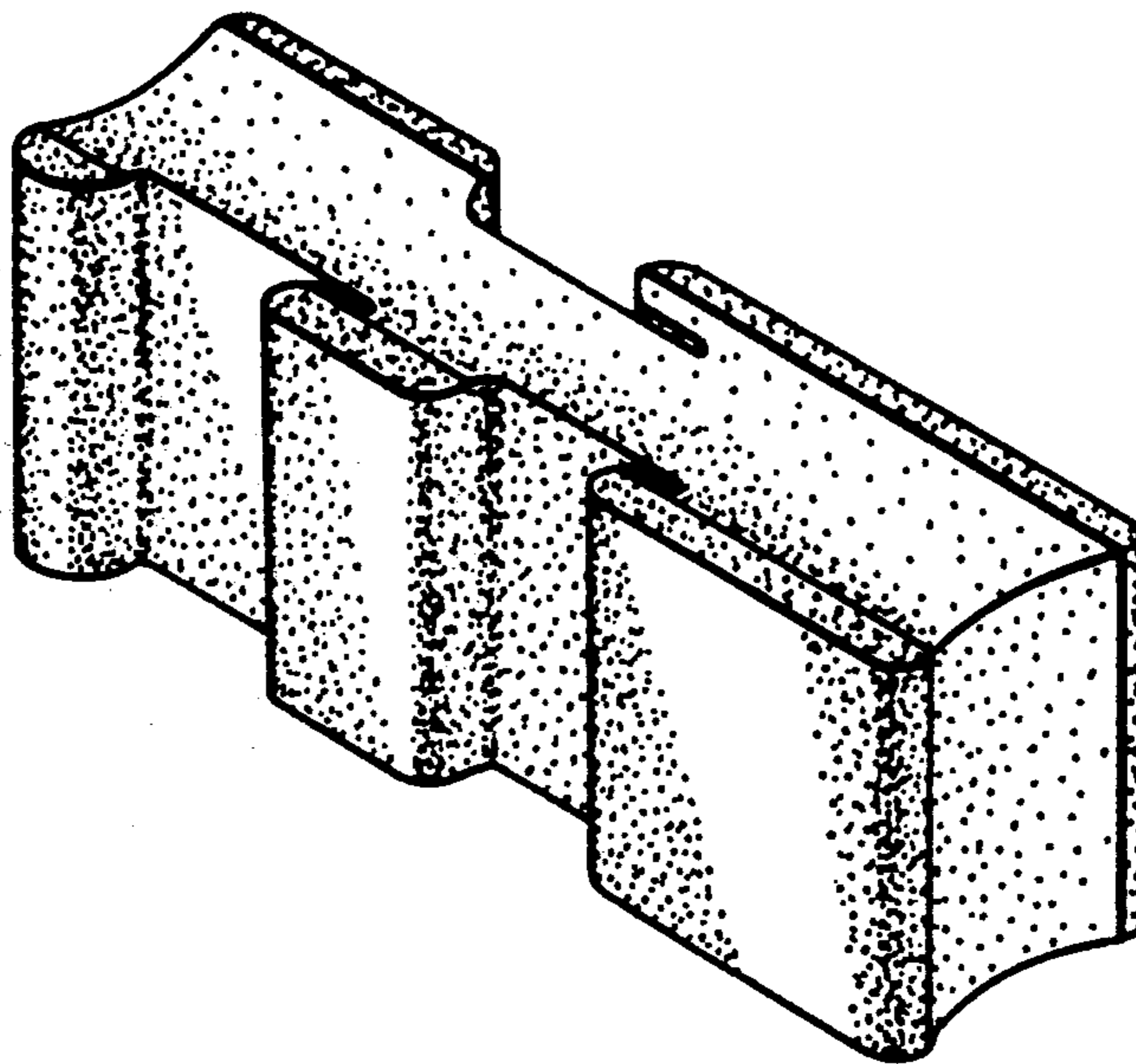
FIG. 3 is a side elevational view of one side thereof;

FIG. 4 is an end elevational view of one end thereof;

FIG. 5 is an end elevational view of another end thereof;

FIG. 6 is a side elevational view of another side thereof; and,

FIG. 7 is a bottom plan view thereof.



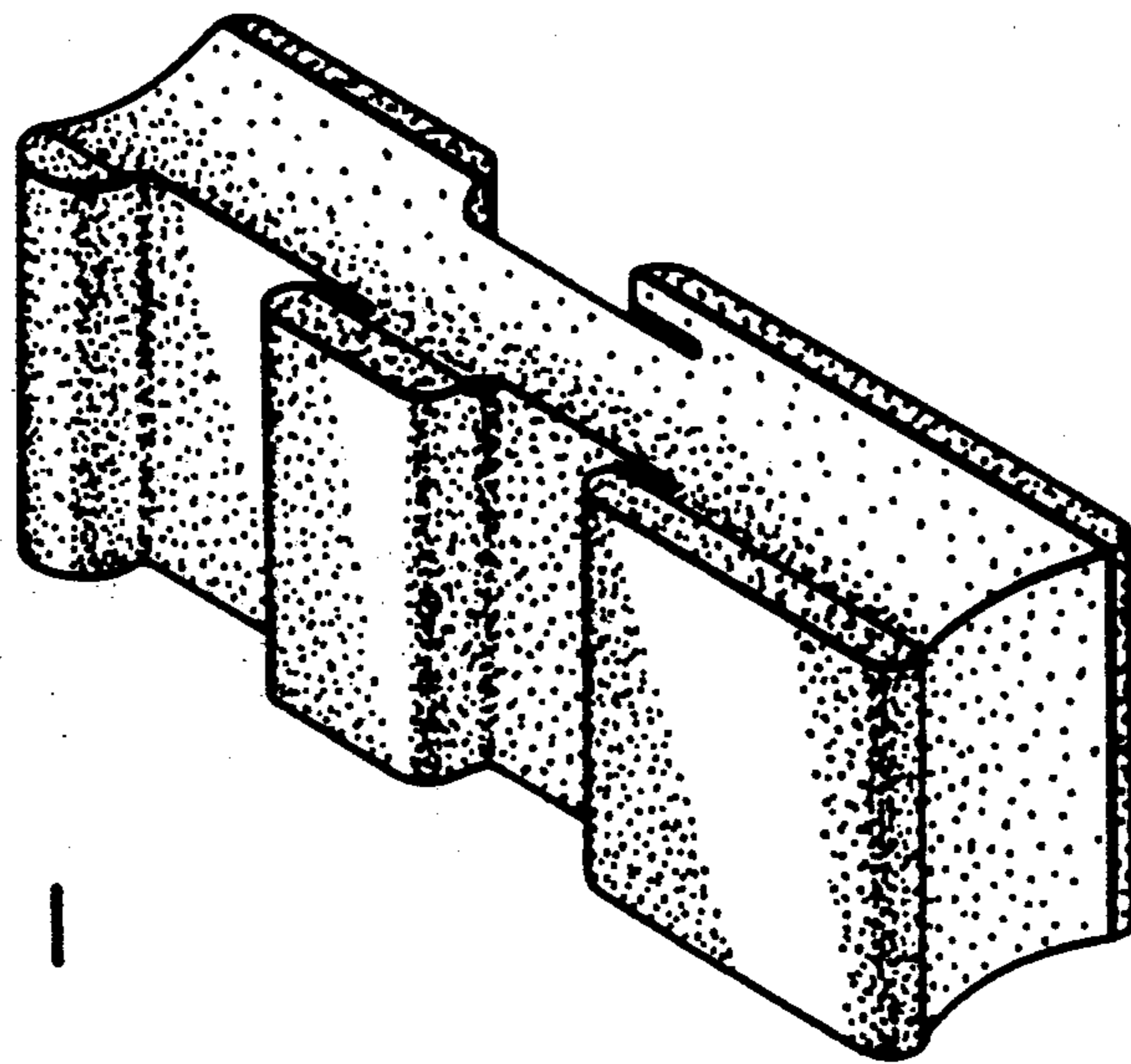


FIG. 1

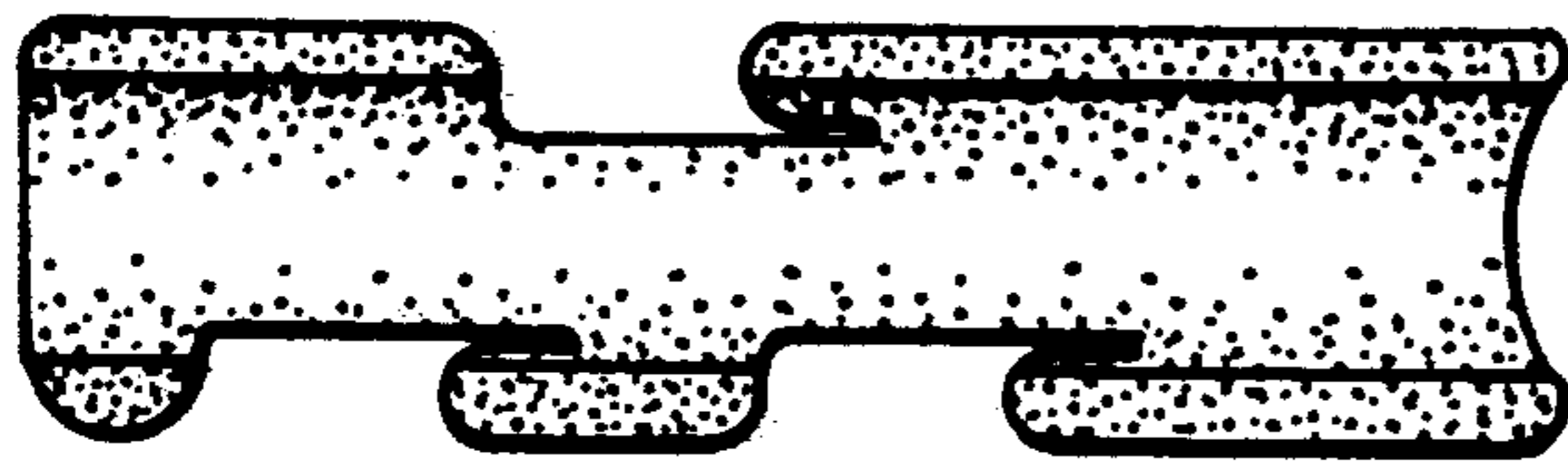


FIG. 2

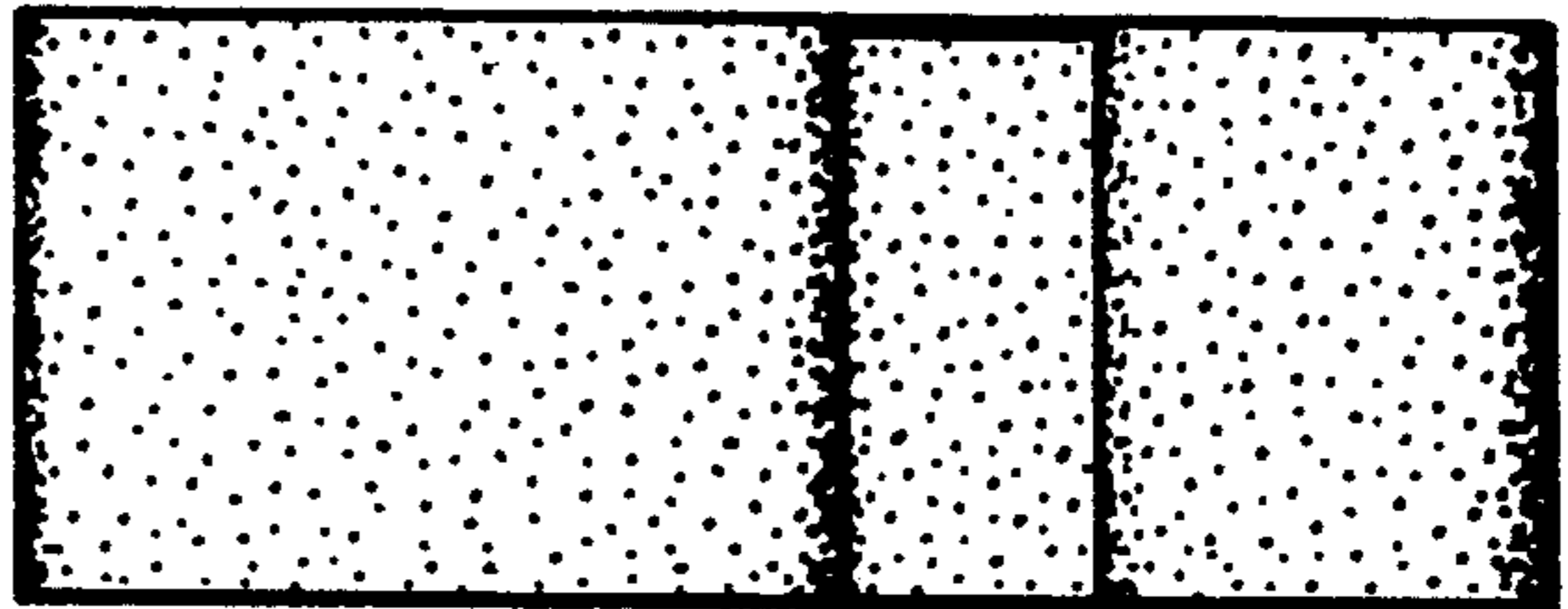


FIG. 3

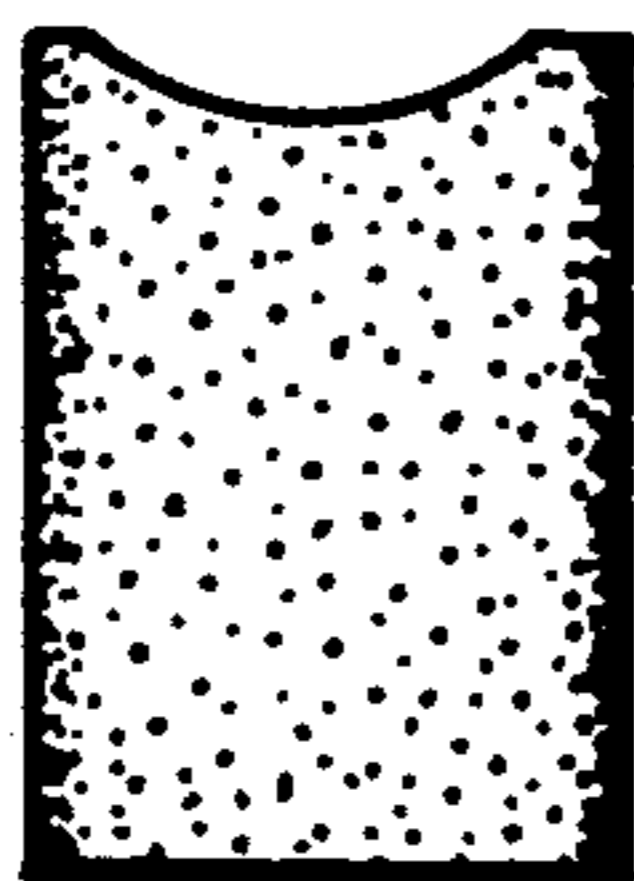


FIG. 4

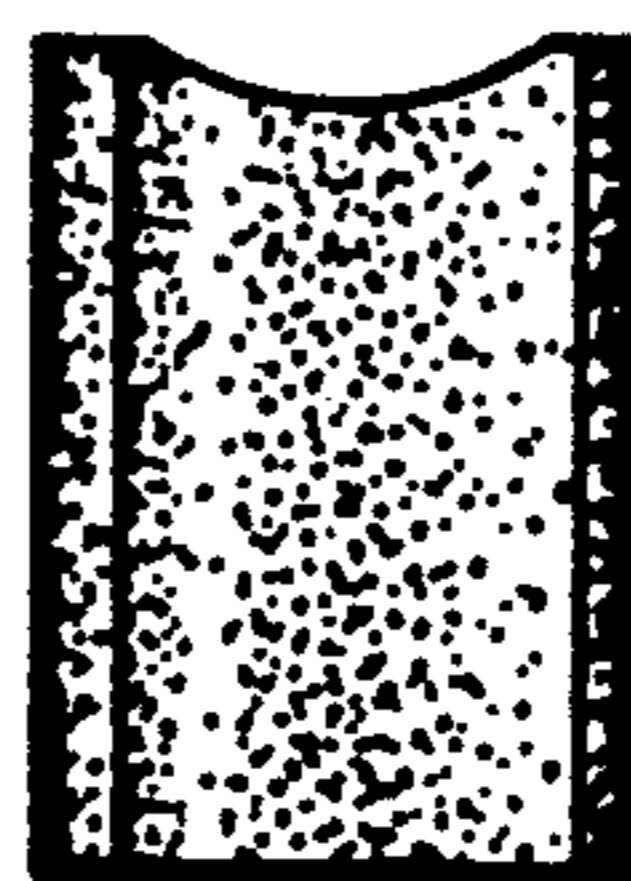


FIG. 5

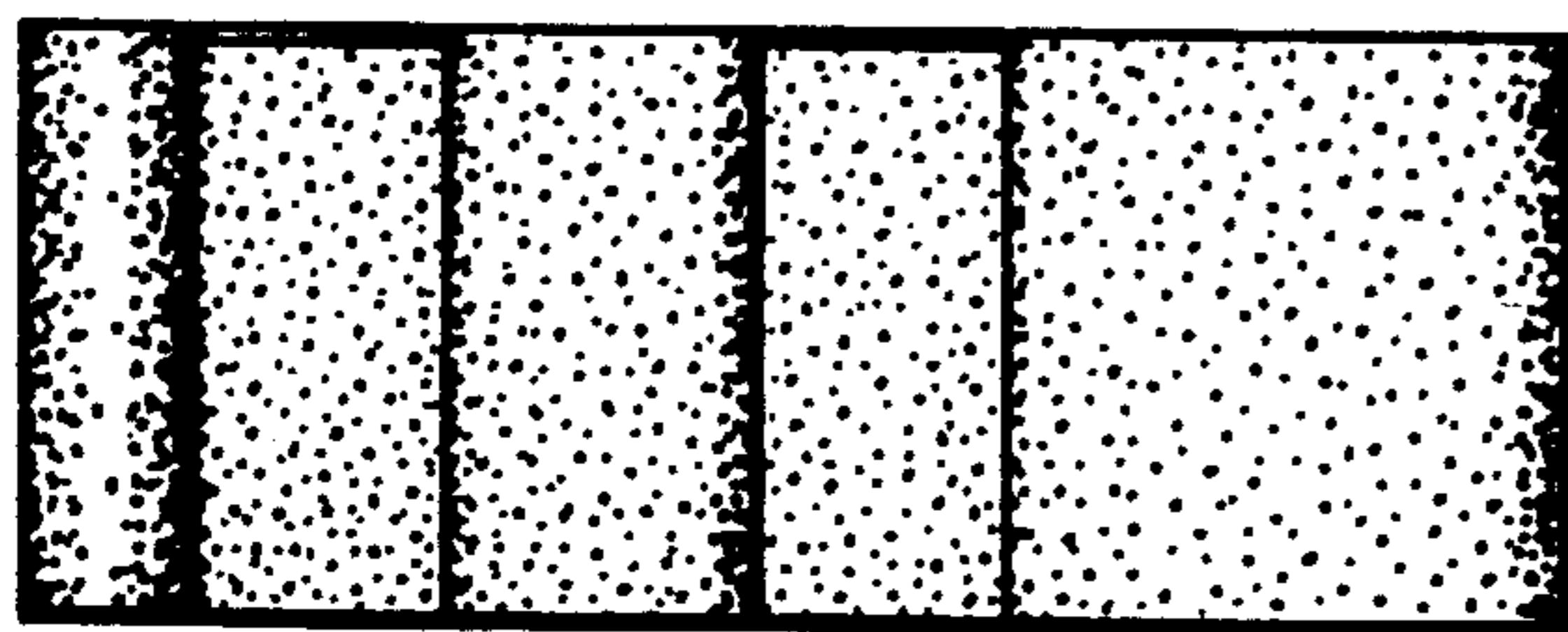


FIG. 6

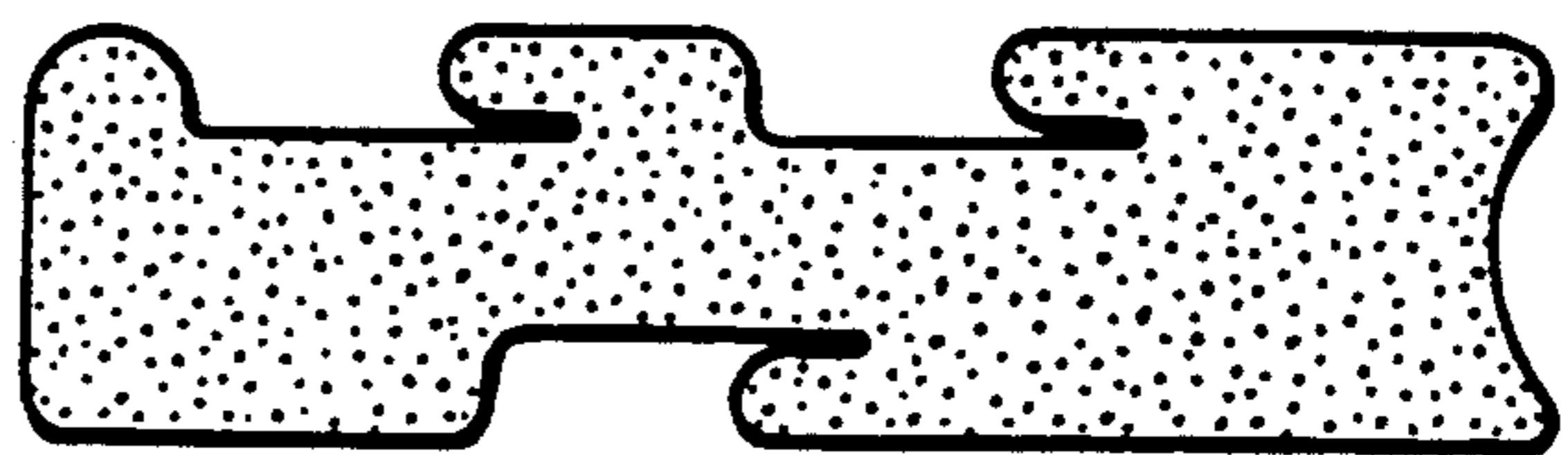


FIG. 7