



US00D343938S

United States Patent [19]

[11] Patent Number: **Des. 343,938**

Liverman

[45] Date of Patent: **** Feb. 1, 1994**

[54] **PORTABLE CAR WASH CART**

4,861,050 8/1989 Bergeron 280/47.35

[75] Inventor: **James V. Liverman, Zebulon, N.C.**

Primary Examiner—Kay H. Chin

[73] Assignee: **BLE Incorporated, Zebulon, N.C.**

Attorney, Agent, or Firm—Rhodes, Coats & Bennett

[**] Term: **14 Years**

[57] **CLAIM**

[21] Appl. No.: **812,208**

The ornamental design for a portable car wash cart, as shown and described.

[22] Filed: **Dec. 23, 1991**

DESCRIPTION

[52] U.S. Cl. **D34/25; D34/24**

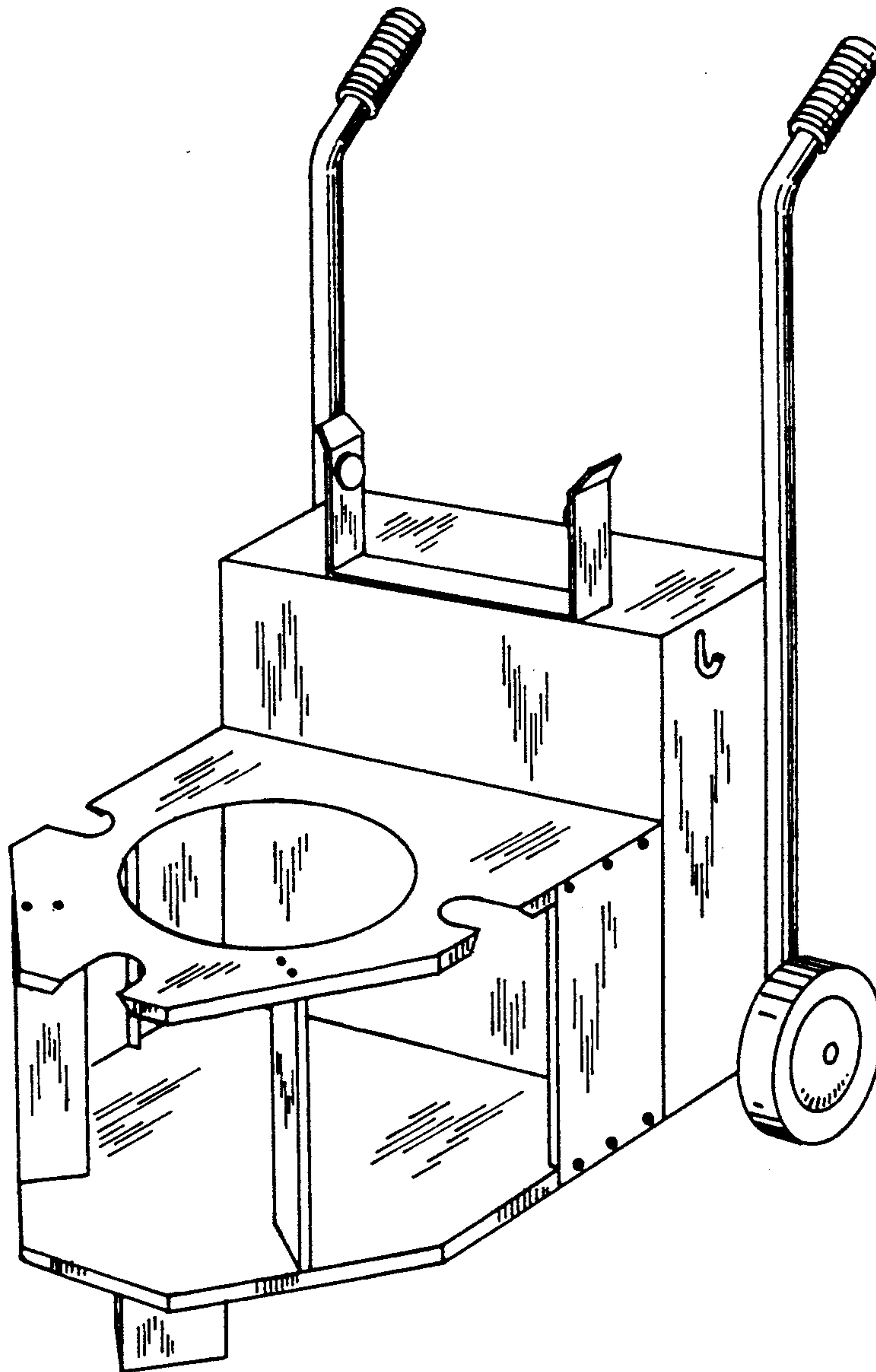
[58] Field of Search 280/79.3, 47.35, 47.34;
D34/12, 17, 19, 20, 21, 23, 24, 25, 26

FIG. 1 is a top plan view of the portable car wash cart; FIG. 2 is a side elevational view with the opposite side being a mirror image of the same; FIG. 3 is a front elevational view; FIG. 4 is a back elevational view; FIG. 5 is a bottom plan view; and, FIG. 6 is a top perspective view.

[56] **References Cited**

U.S. PATENT DOCUMENTS

D. 322,501 12/1991 Legault D34/24



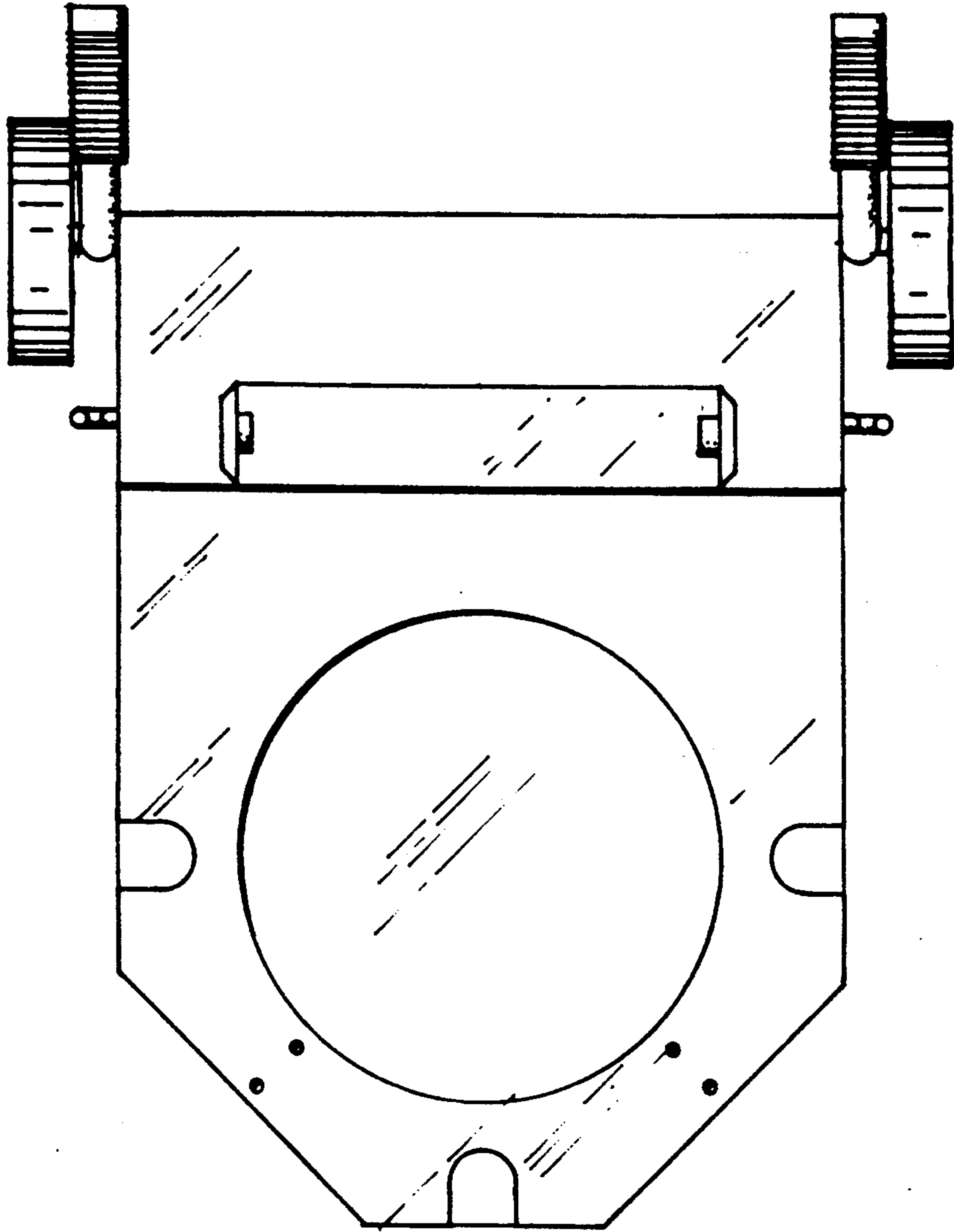


Fig. 1

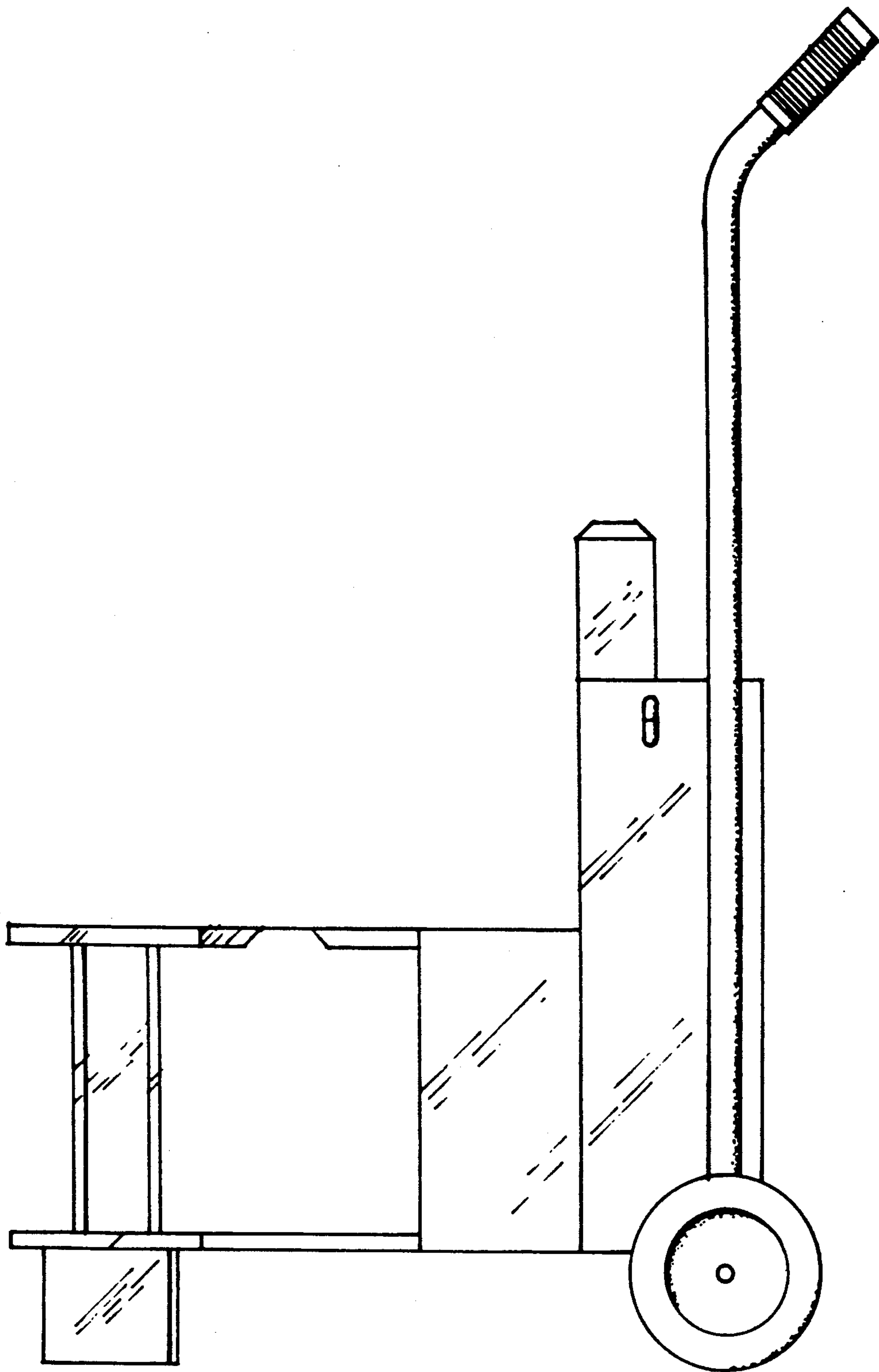


Fig. 2

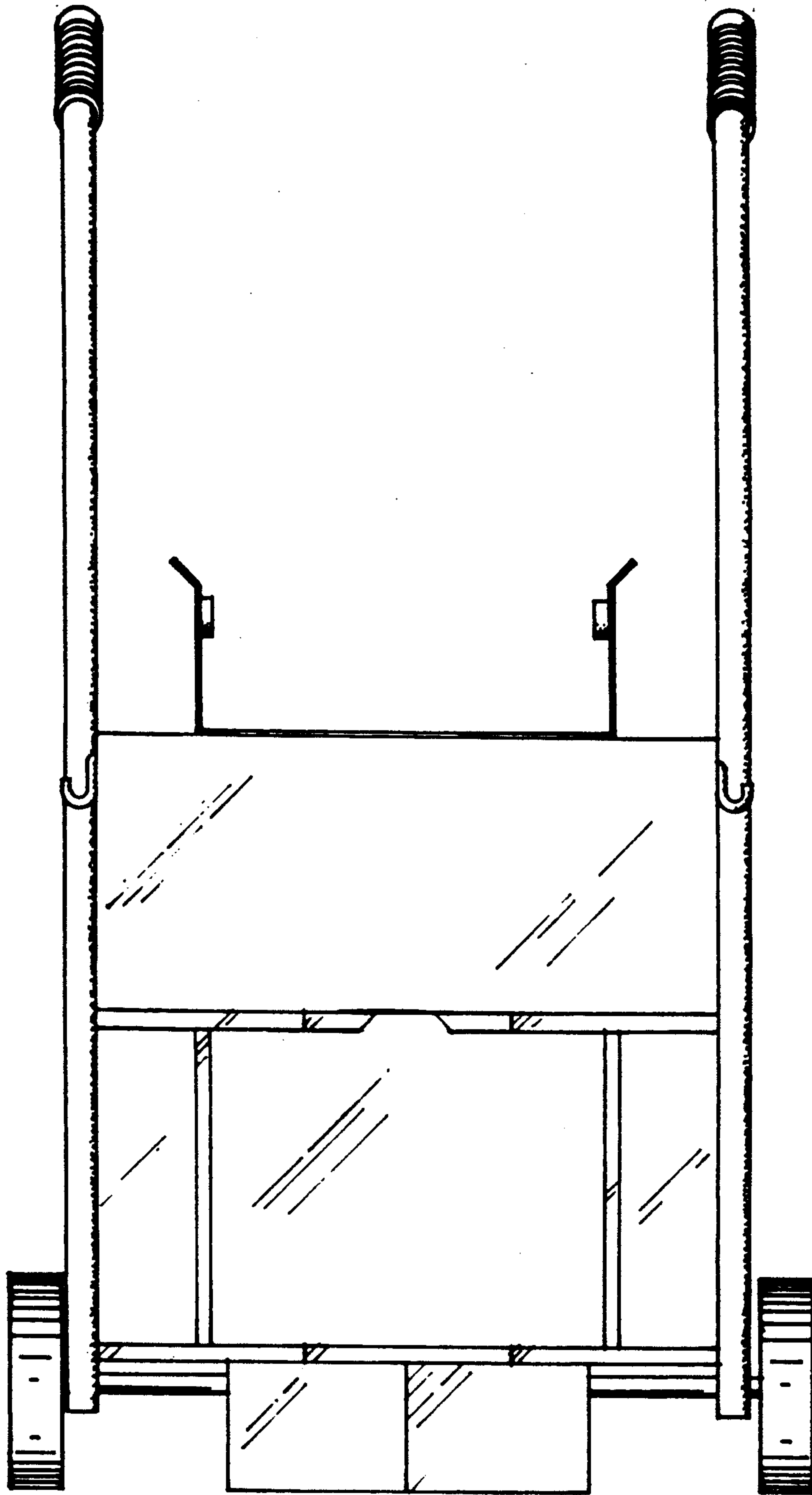


Fig. 3

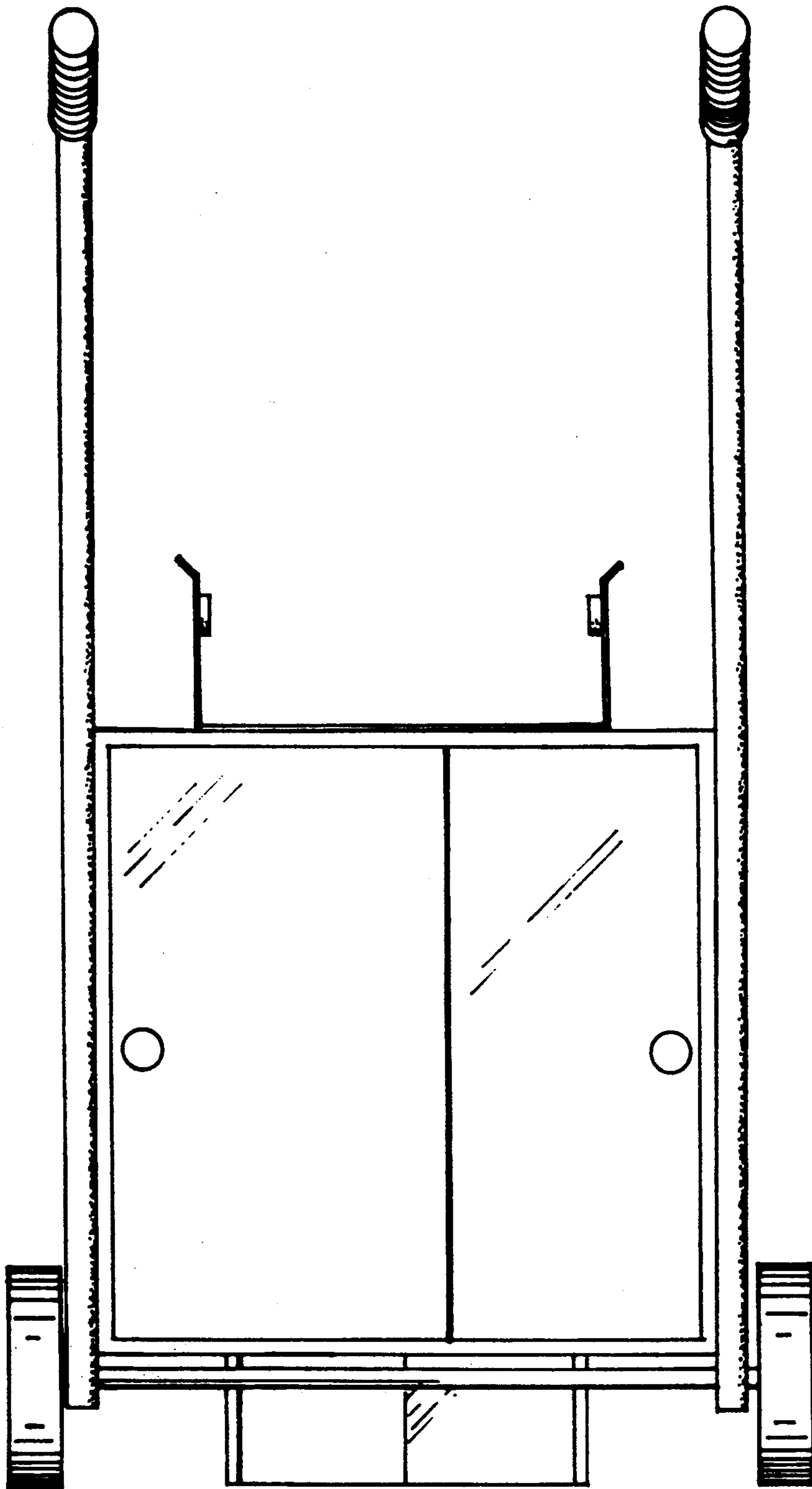


Fig. 4

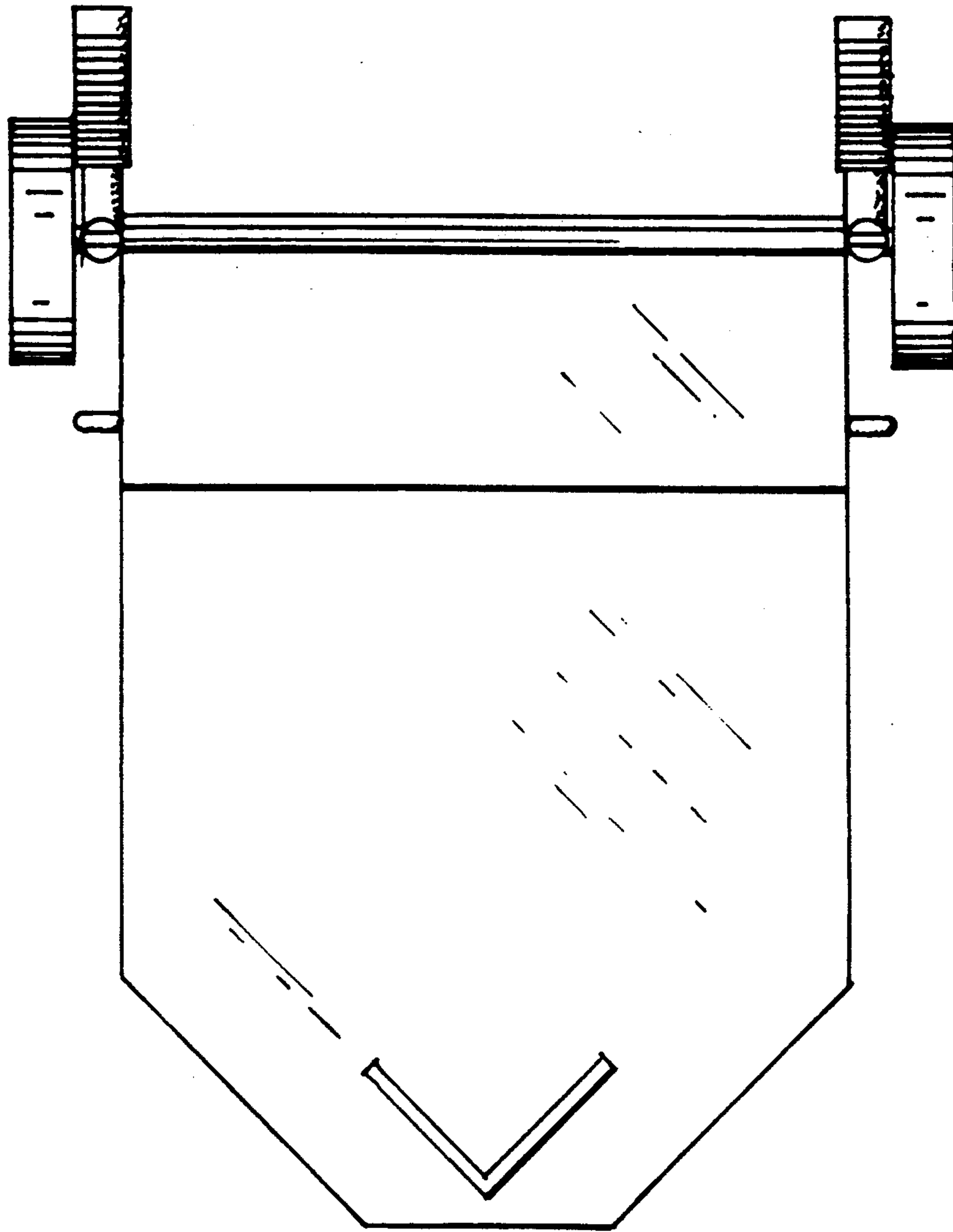


Fig. 5

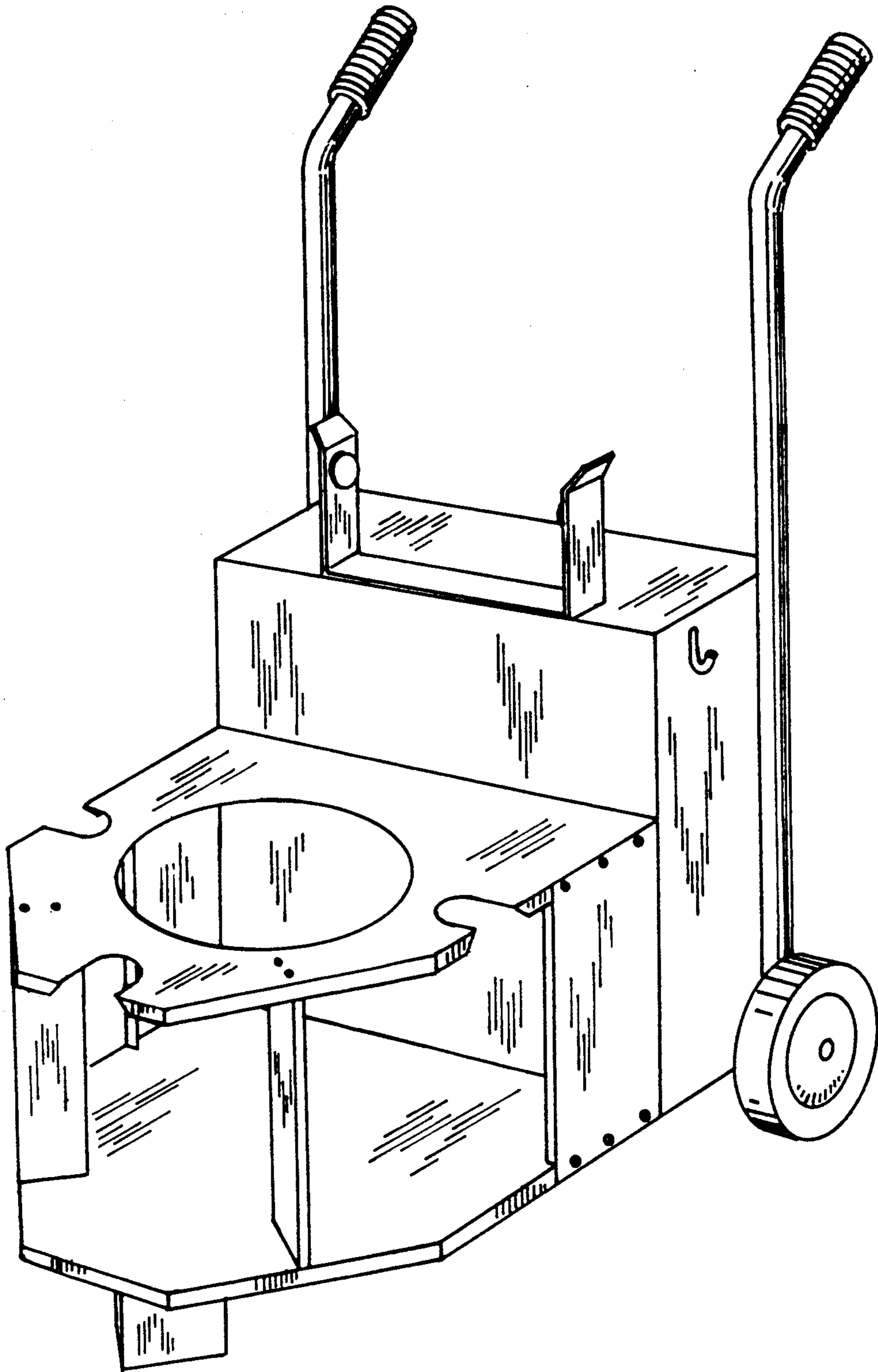


Fig. 6