



US00D343934S

United States Patent [19]

[11] Patent Number: **Des. 343,934**

Meelen

[45] Date of Patent: **** Feb. 1, 1994**

[54] **COMBINED ALL PURPOSE WET AND DRY SHAMPOO CLEANER**

[56]

References Cited

U.S. PATENT DOCUMENTS

[75] Inventor: **Hans T. Meelen, Drachten, Netherlands**

D. 186,211	9/1959	Allemang	D32/21
D. 223,509	4/1972	Hohulin et al.	D32/21
D. 286,695	11/1986	Nupp	D32/21
D. 316,767	5/1991	Suh	D32/21

[73] Assignee: **U.S. Philips Corporation, New York, N.Y.**

Primary Examiner—Ruth McInroy
Attorney, Agent, or Firm—Jack E. Haken

[**] Term: **14 Years**

[57]

CLAIM

[21] Appl. No.: **880,434**

The ornamental design for a combined all purpose wet and dry shampoo cleaner, as shown.

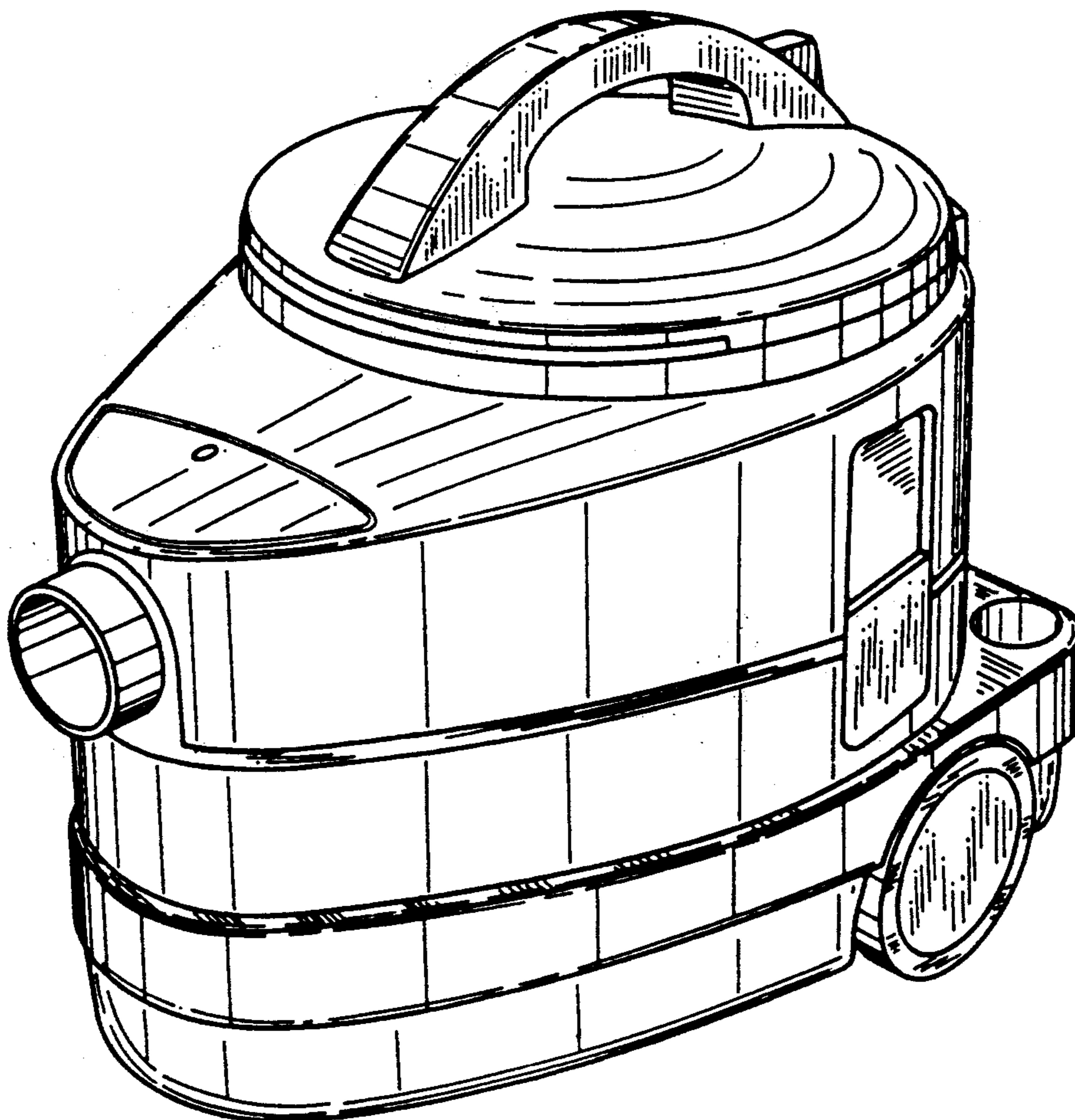
[22] Filed: **May 8, 1992**

DESCRIPTION

[30] Foreign Application Priority Data

Dec. 3, 1991 [CH] Switzerland DM/021.326
 [52] U.S. Cl. D32/24; D32/21
 [58] Field of Search 15/320-321,
 15/323, 327.1-327.2, 327.4-327.7, 347,
 352-353, 412; D32/1, 21, 23-24, 31

FIG. 1 is a top, front and right side perspective view of a combined all purpose wet and dry shampoo cleaner showing my new design;
 FIG. 2 is a front elevational view thereof;
 FIG. 3 is a rear elevational view thereof;
 FIG. 4 is a right side elevational view thereof;
 FIG. 5 is a left side elevational view thereof;
 FIG. 6 is a top plan view thereof; and,
 FIG. 7 is a bottom plan view thereof.



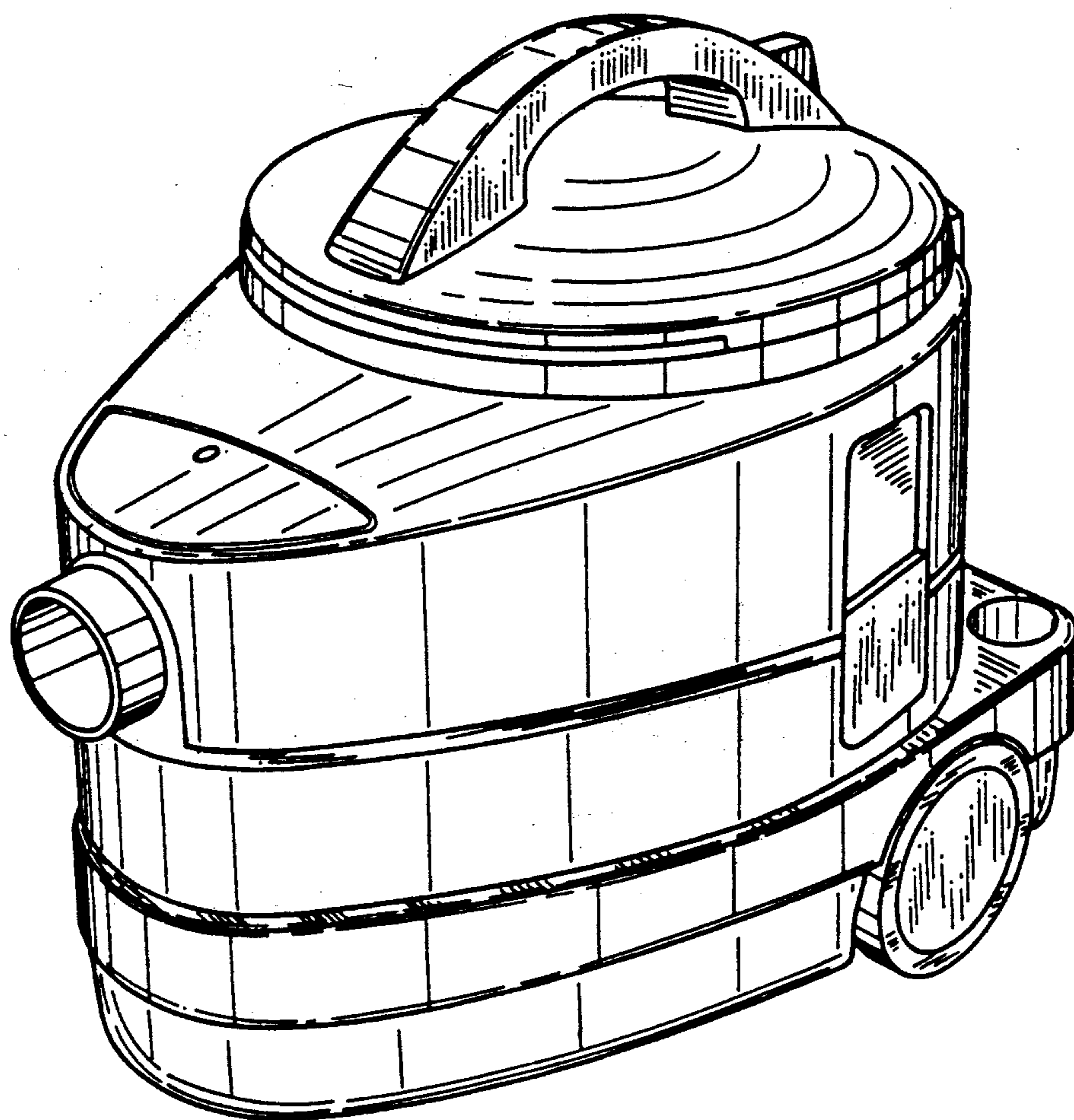


FIG. 1

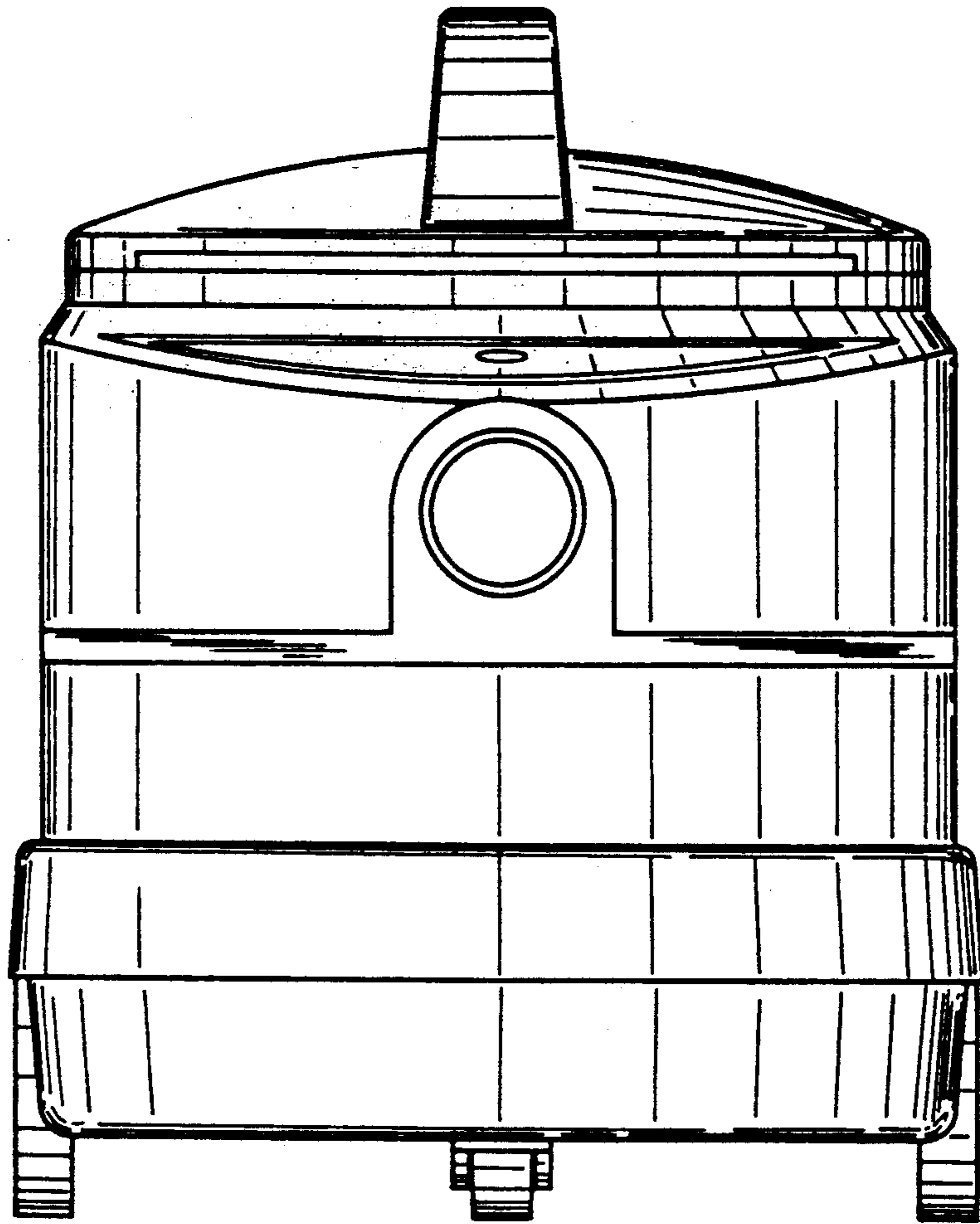


FIG. 2

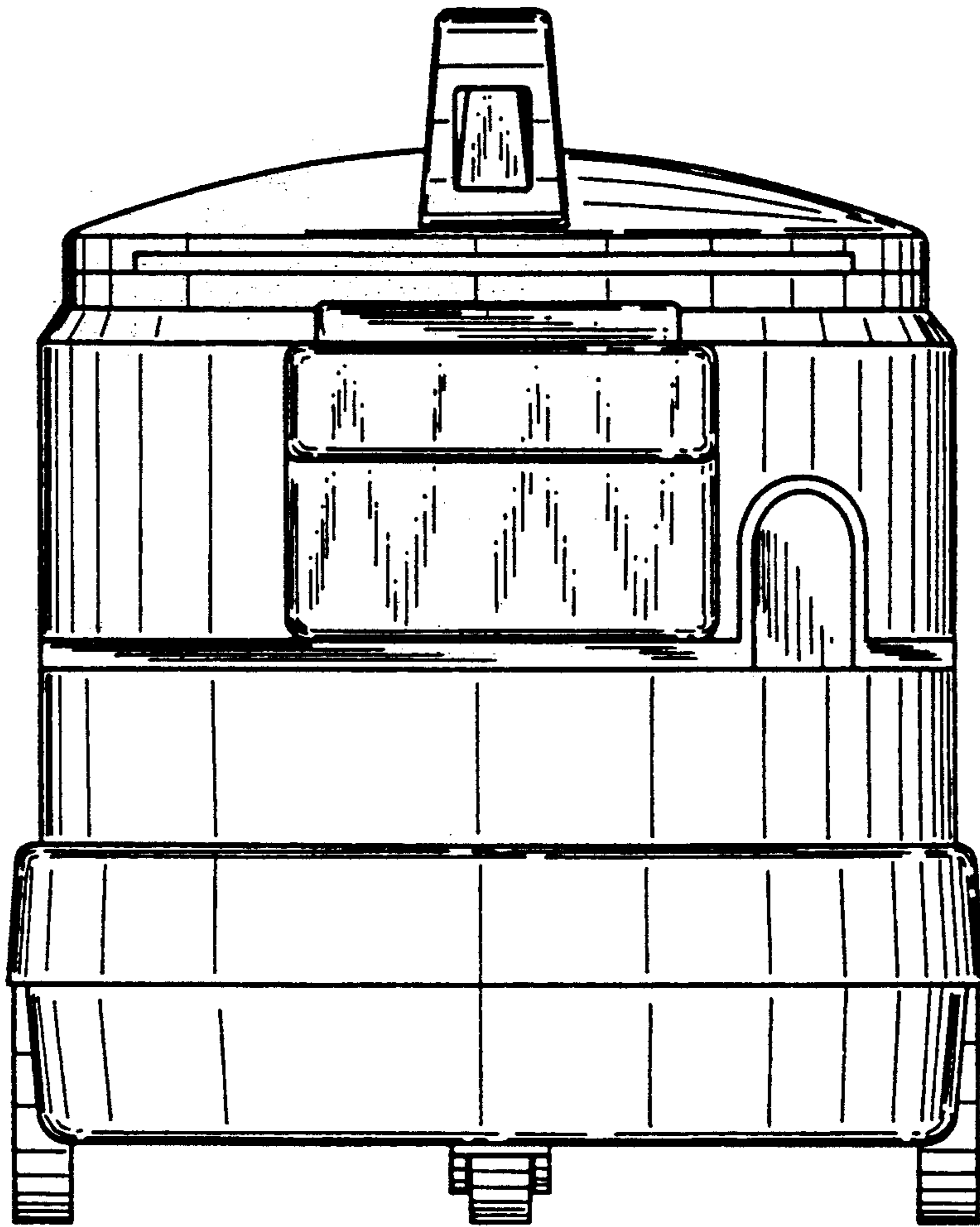


FIG. 3

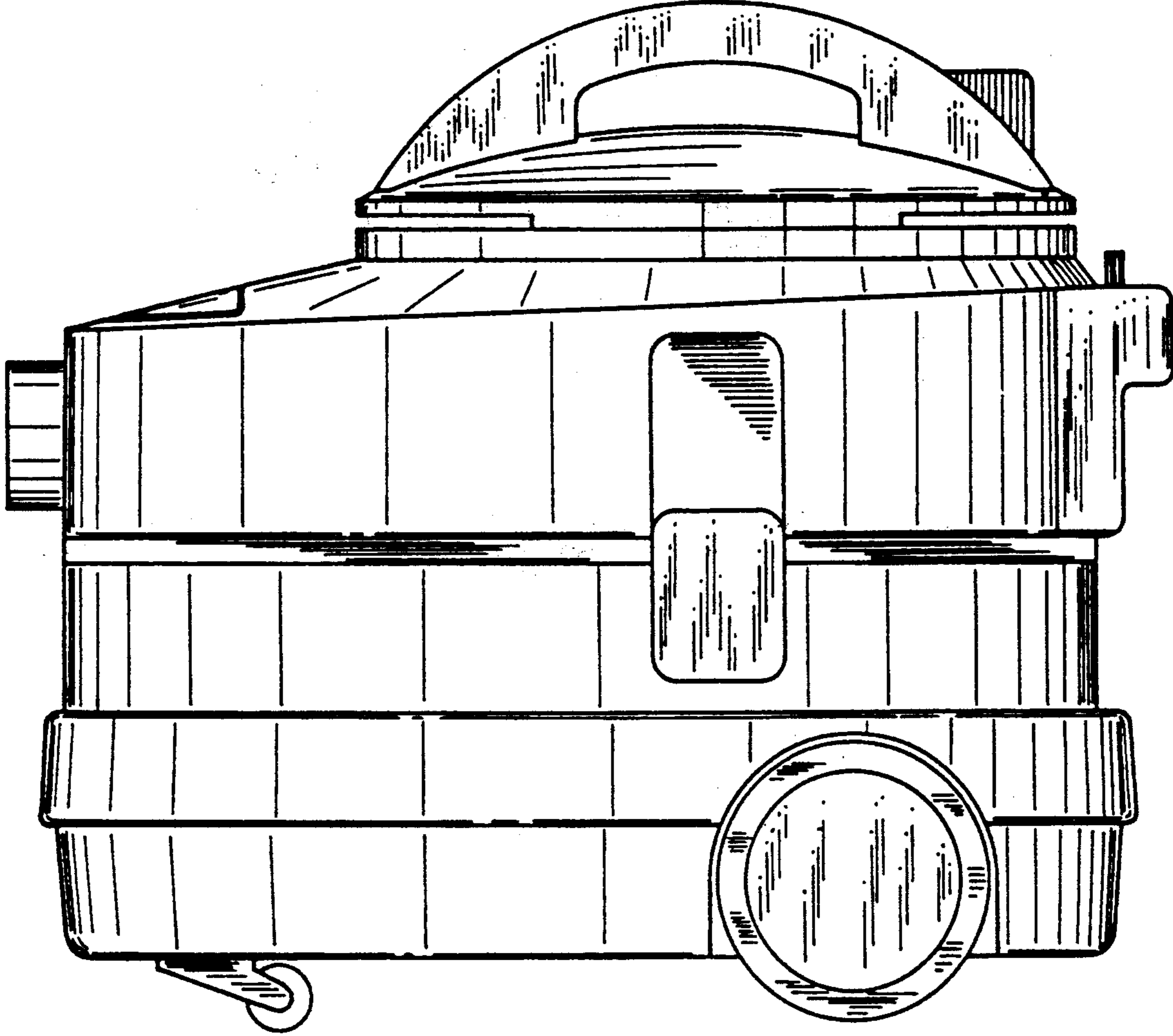


FIG. 4

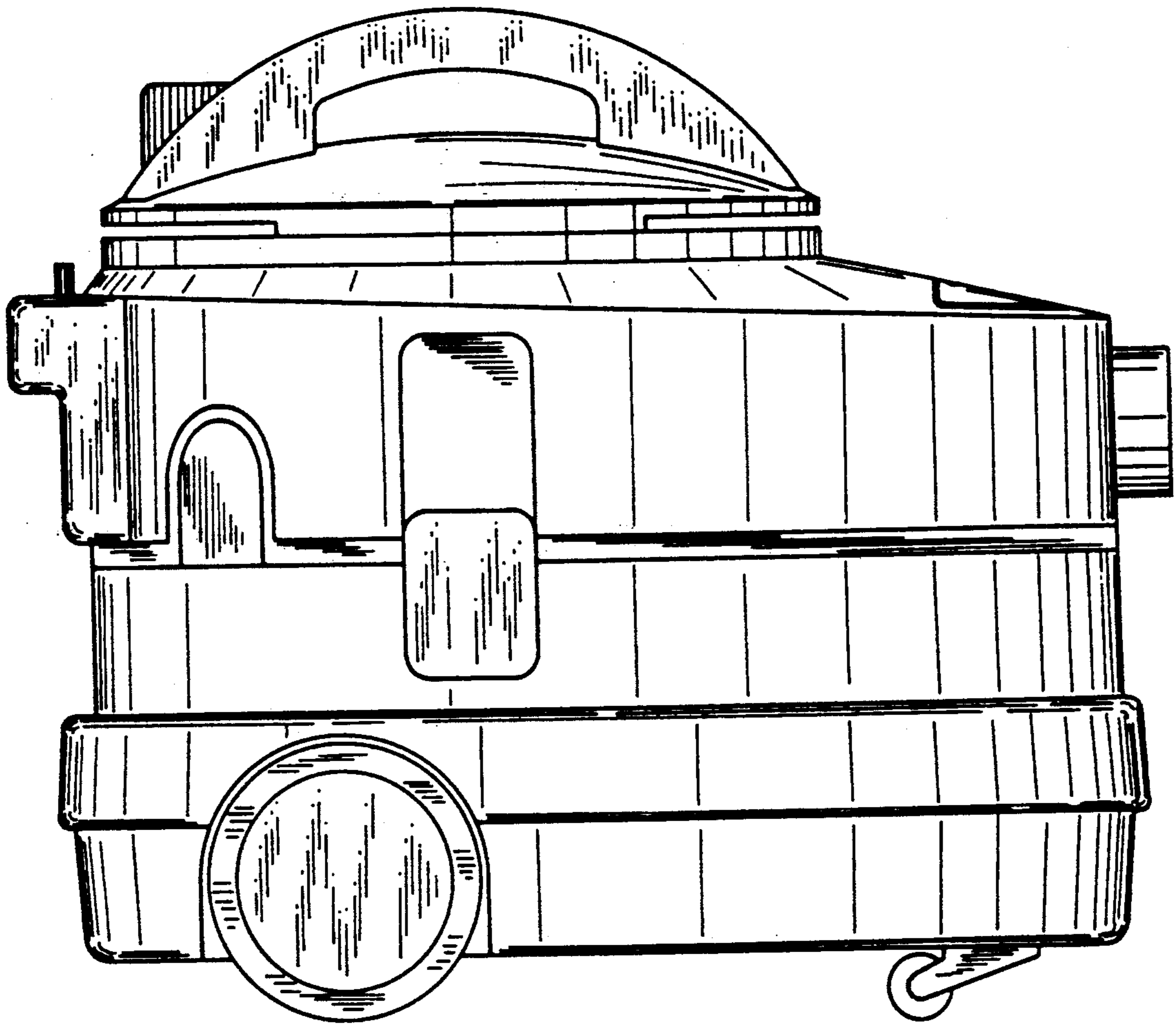


FIG. 5

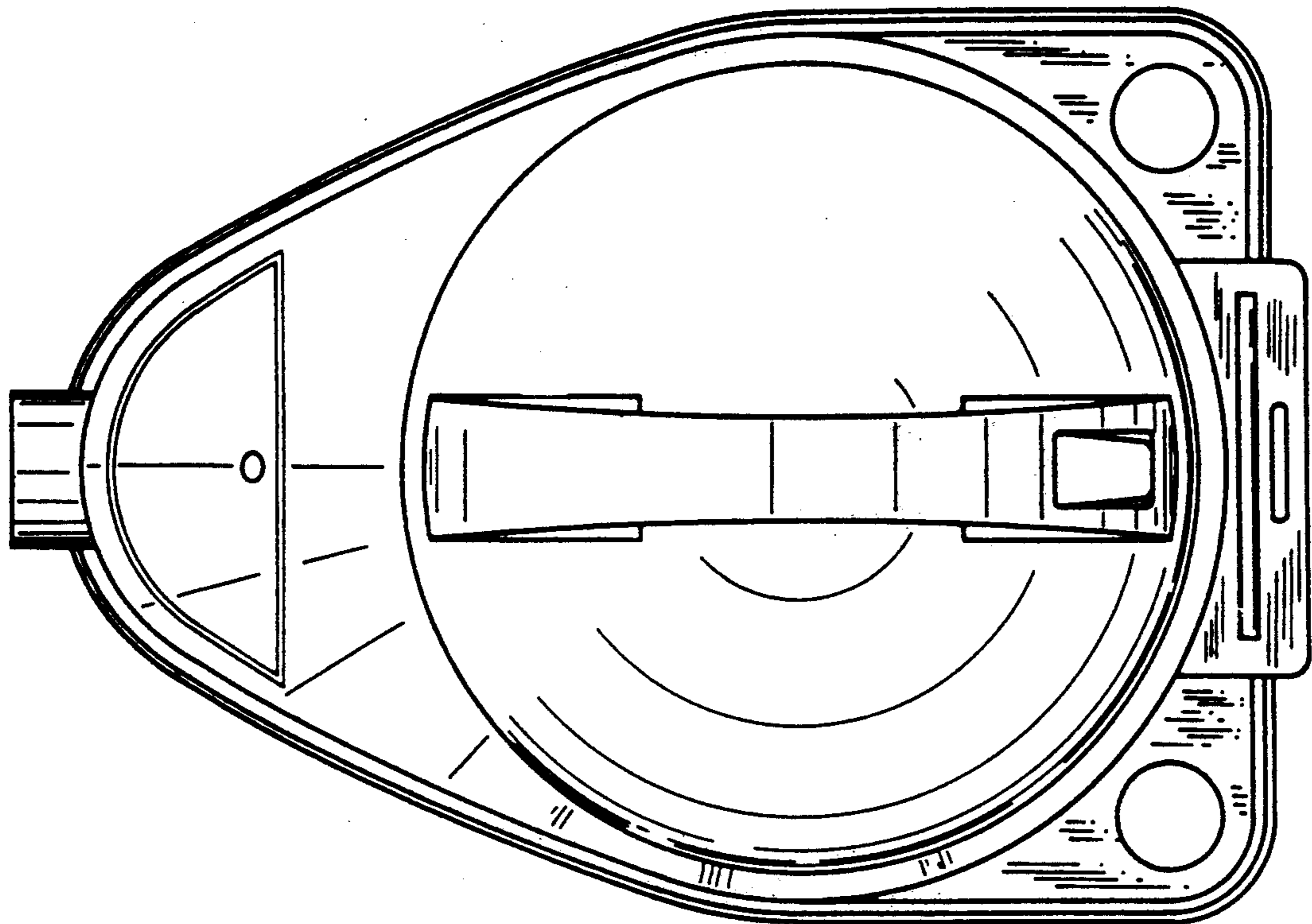


FIG. 6

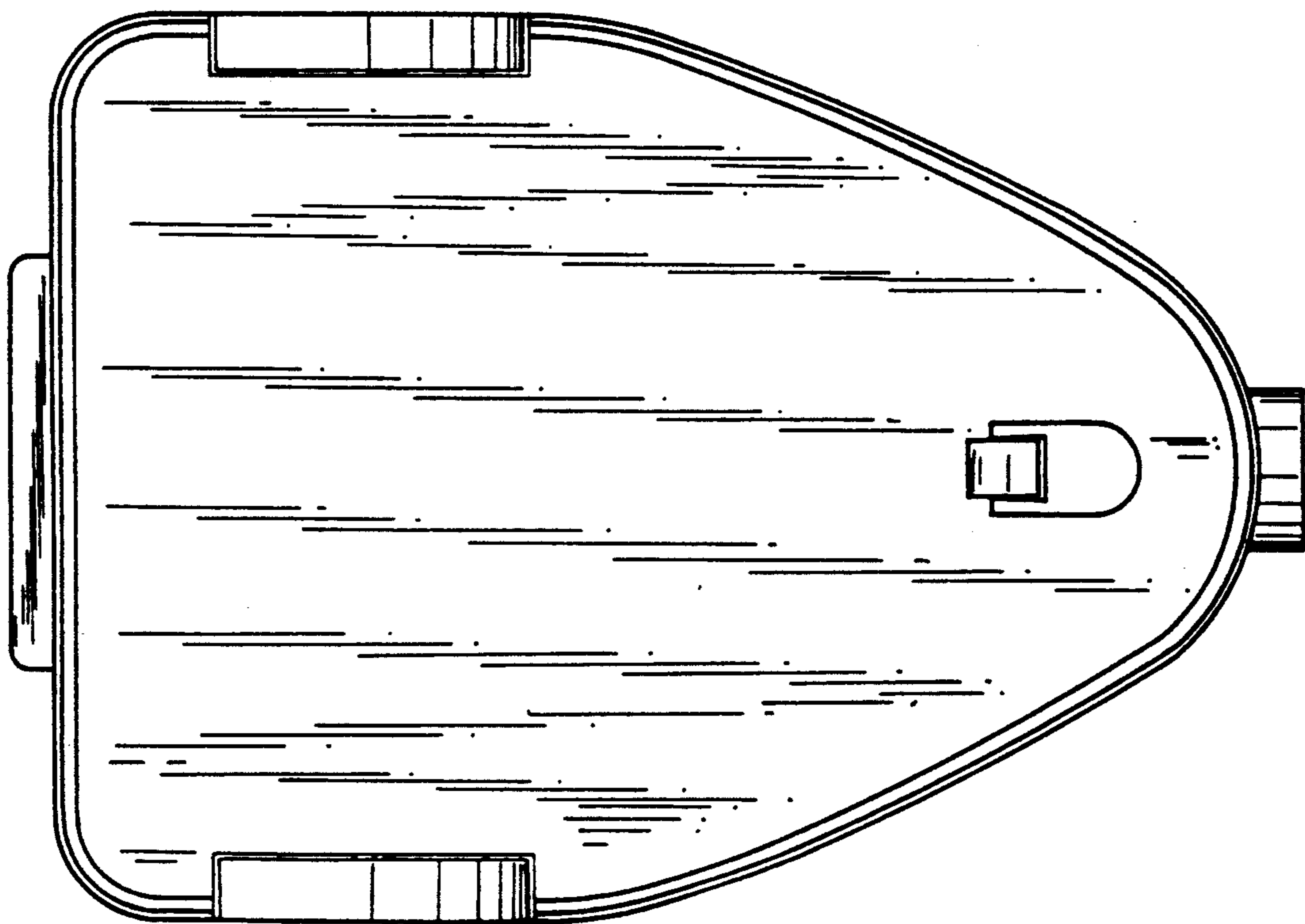


FIG. 7