



US00D343932S

# United States Patent [19]

[11] Patent Number: **Des. 343,932**

Wulff et al.

[45] Date of Patent: **\*\* Feb. 1, 1994**

[54] **BURNISHER**

[75] Inventors: **Richard F. Wulff**, Maple Plain, Minn.; **Luciano Hernandez, IV**, Holland, Mich.

[73] Assignee: **Castex Industries, Inc.**, Holland, Mich.

[\*\*] Term: **14 Years**

[21] Appl. No.: **850,062**

[22] Filed: **Mar. 12, 1992**

[52] U.S. Cl. .... **D32/25; D32/19**

[58] Field of Search ..... 15/49.1, 50.1, 50.3, 15/52, 52.1, 98, 78, 79.1, 79.2, 82, 87; D32/15-16, 19-20, 22, 24

D. 307,068	4/1990	Bradd .....	D32/19
D. 321,420	11/1991	Von Vett et al. ....	D32/19
4,365,377	12/1982	Todd et al. ....	15/49.1
4,756,042	7/1988	Genovese et al. ....	15/98
4,845,798	7/1989	Genovese et al. ....	15/98
5,177,828	1/1993	Von Vett .....	15/49.1

*Primary Examiner*—Ruth McInroy  
*Attorney, Agent, or Firm*—Price, Heneveld, Cooper, DeWitt & Litton

## [57] CLAIM

The ornamental design for a burnisher, as shown and described.

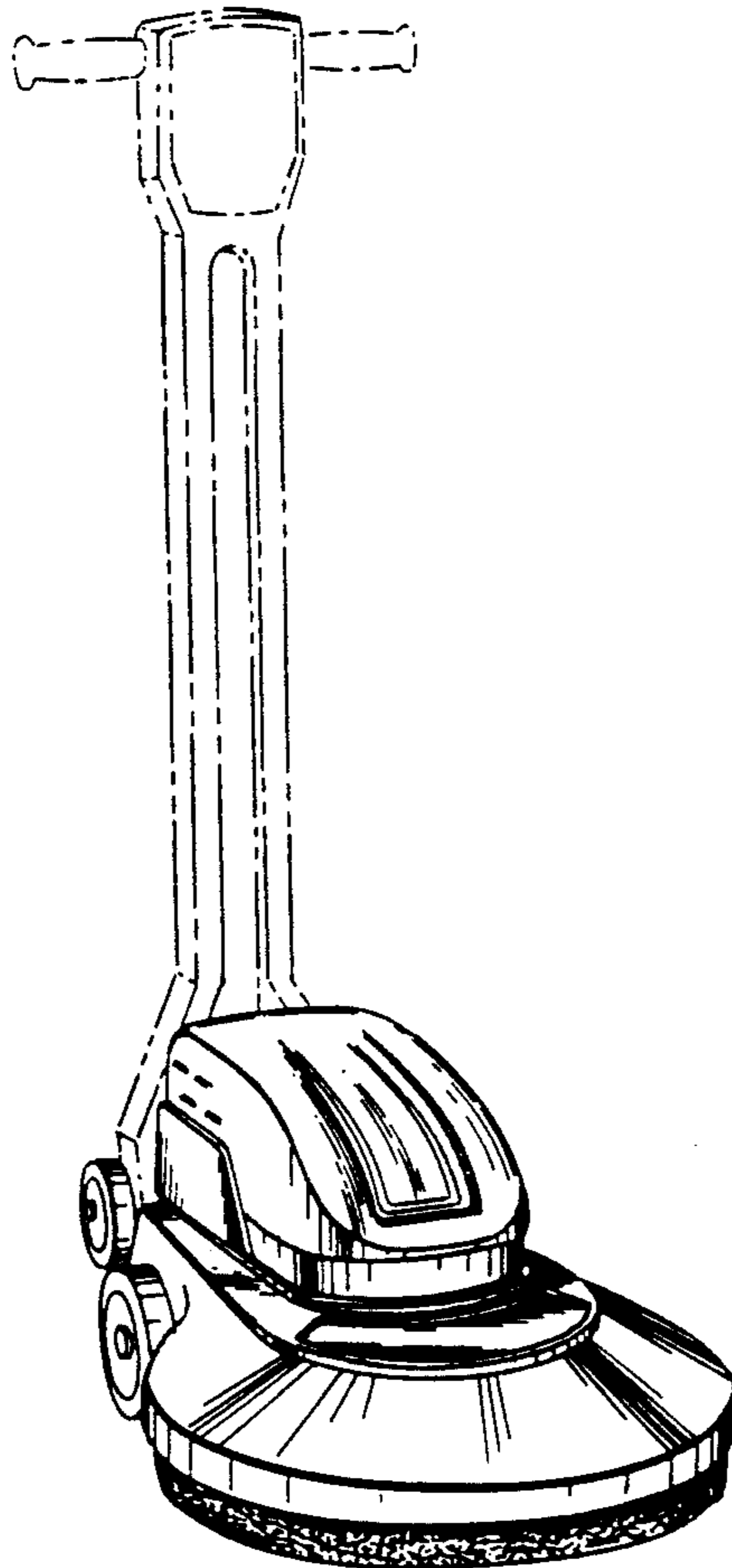
## DESCRIPTION

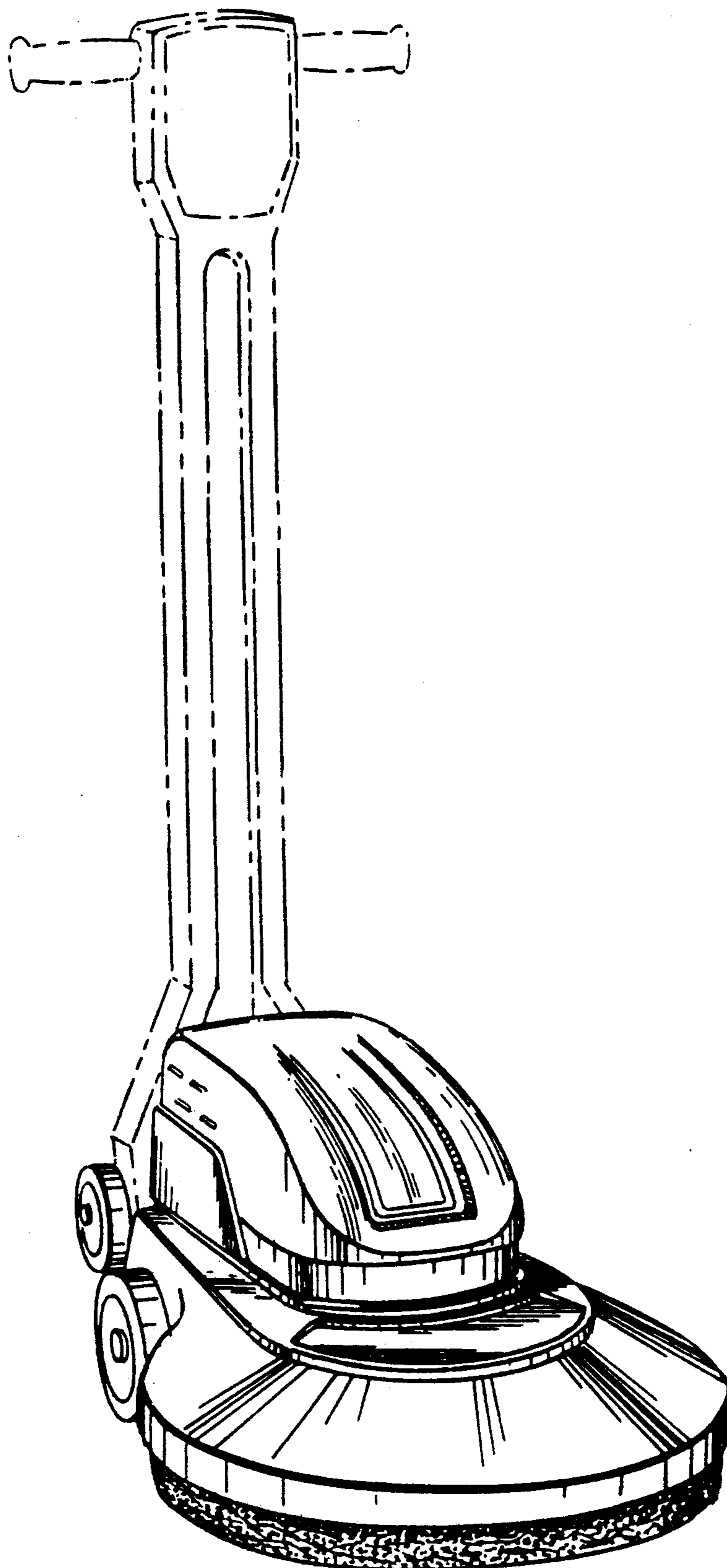
FIG. 1 is a front perspective view of a burnisher showing my new design;  
 FIG. 2 is a top plan view thereof;  
 FIG. 3 is a front elevational view thereof;  
 FIG. 4 is a rear elevational view thereof; and,  
 FIG. 5 is a side elevational view of one side thereof, the other side being a mirror image thereof.  
 The undisclosed bottom in plain and unornamented.  
 The broken line showing of a handle in FIG. 1, and partial showing of a handle in FIGS. 2-5, is for illustrative purposes only and forms no part of the claimed design.

## [56] References Cited

### U.S. PATENT DOCUMENTS

D. 87,851	9/1932	Myen .....	D32/19
D. 251,007	2/1979	Burgan .....	D32/19
D. 269,557	6/1983	Cook, Jr. ....	D32/19
D. 282,110	1/1986	Tucker et al. ....	D32/19
D. 296,250	6/1988	Genovese .....	D32/19
D. 296,251	6/1988	Genovese .....	D32/19
D. 296,252	6/1988	Genovese .....	D32/19





*Fig. 1.*

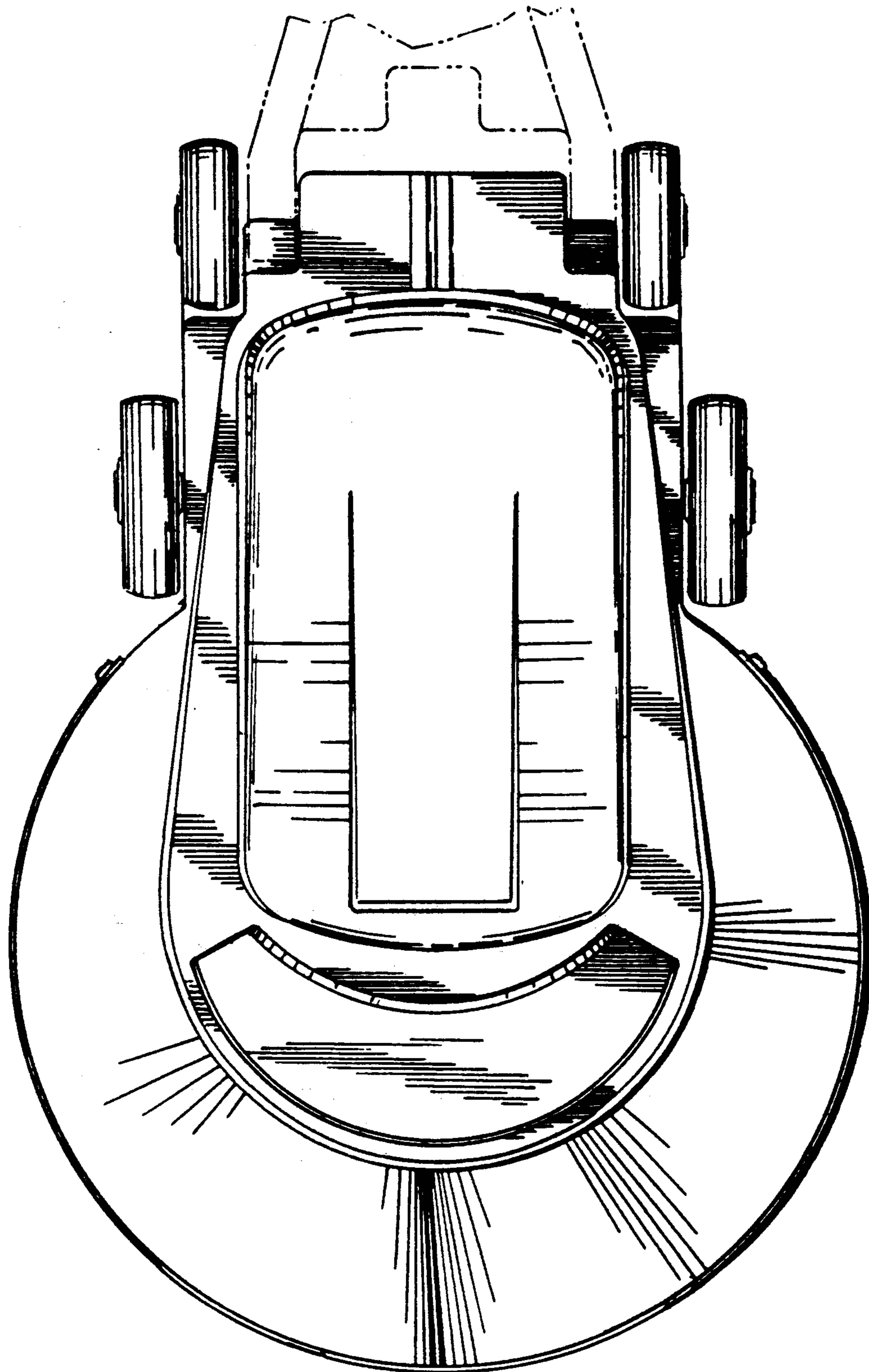
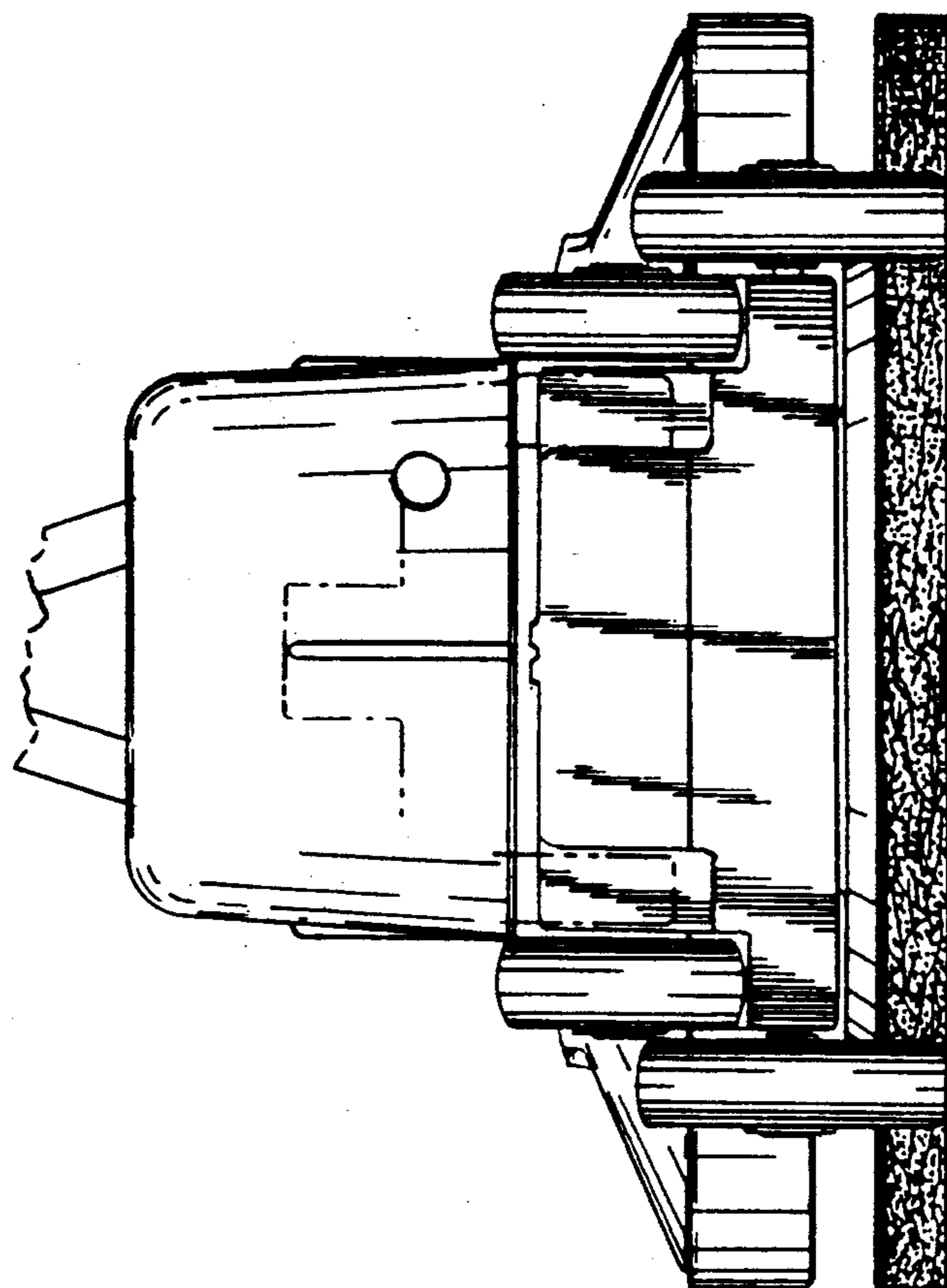
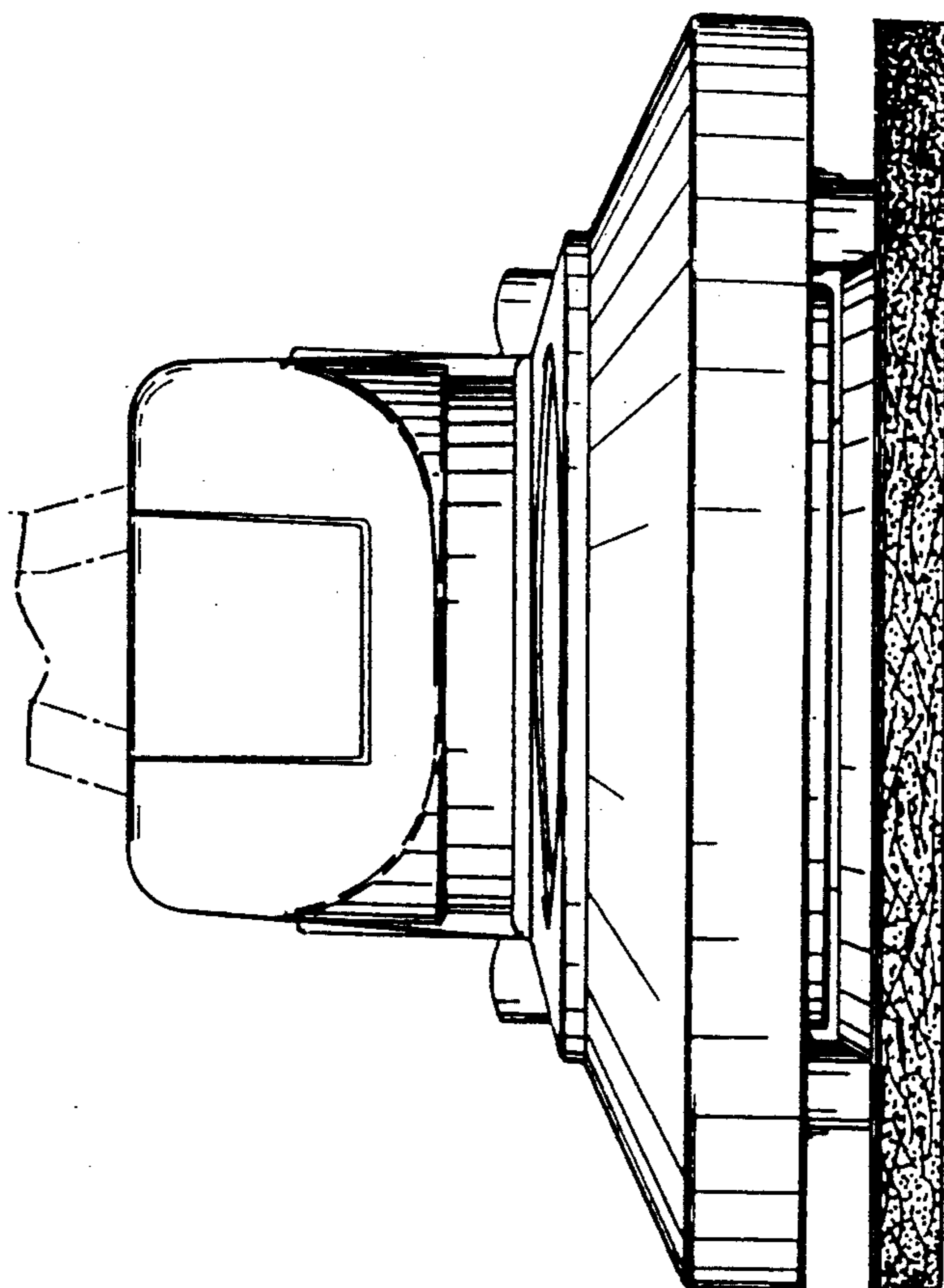


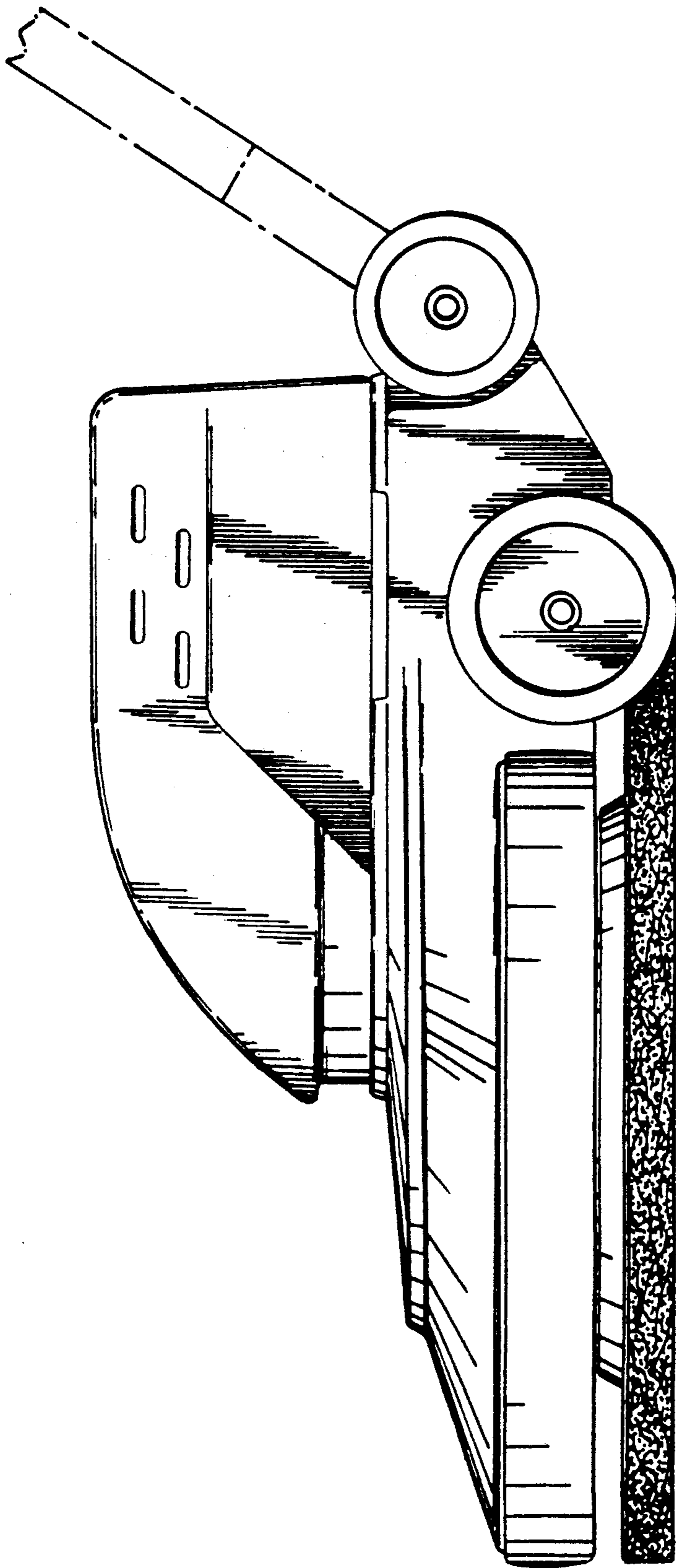
Fig. 2.



*Fig. 4.*



*Fig. 3.*



*Fig. 5.*