



US00D343931S

United States Patent [19]

[11] Patent Number: **Des. 343,931**

Tsuruha et al.

[45] Date of Patent: **** Feb. 1, 1994**

- [54] **ELECTRIC VACUUM CLEANER**
- [75] Inventors: **Toshiaki Tsuruha; Takashi Shoji,**
both of Osaka, Japan
- [73] Assignee: **Matsushita Electric Industrial Co.,**
Ltd., Osaka, Japan
- [**] Term: **14 Years**
- [21] Appl. No.: **846,426**
- [22] Filed: **Mar. 6, 1992**
- [30] **Foreign Application Priority Data**
Nov. 12, 1991 [JP] Japan 3-34264
- [52] U.S. Cl. **D32/21**
- [58] Field of Search 15/320-321,
15/323, 327.1, 327.2, 327.4-327.7, 347,
352-353, 412; D32/1, 21, 23-24, 31

- D. 312,901 1/1990 Miyata et al. D32/21
- D. 313,680 1/1991 Ichihara et al. D32/21
- D. 315,041 2/1991 Bradd D32/21
- D. 318,937 8/1991 Shinozaki et al. D32/21

OTHER PUBLICATIONS

Catalog of the Hoover SPECTRUM 800 Series Canister Vacuum Cleaner, published Feb. 1990.
Sears Catalog of CANISTER VACS, published Jun. 1991.

Primary Examiner—Ruth McInroy
Attorney, Agent, or Firm—Sughrue, Mion, Zinn,
Macpeak & Seas

[56] References Cited

U.S. PATENT DOCUMENTS

- D. 289,213 4/1987 Perkins D32/21
- D. 290,896 7/1987 Kim D32/21
- D. 296,944 7/1988 Yamamoto et al. D32/21
- D. 311,613 10/1990 Kuriya D32/21
- D. 311,614 10/1990 Hirano et al. D32/21

[57] **CLAIM**
The ornamental design for an electric vacuum cleaner, as shown.

DESCRIPTION

FIG. 1 is a front, top and right side perspective view of an electric vacuum cleaner showing our new design; FIG. 2 is a front elevational view thereof; FIG. 3 is a right side elevational view thereof; FIG. 4 is a left side elevational view thereof; FIG. 5 is a top plan view thereof; FIG. 6 is a rear elevational view thereof; and, FIG. 7 is a bottom plan view thereof.

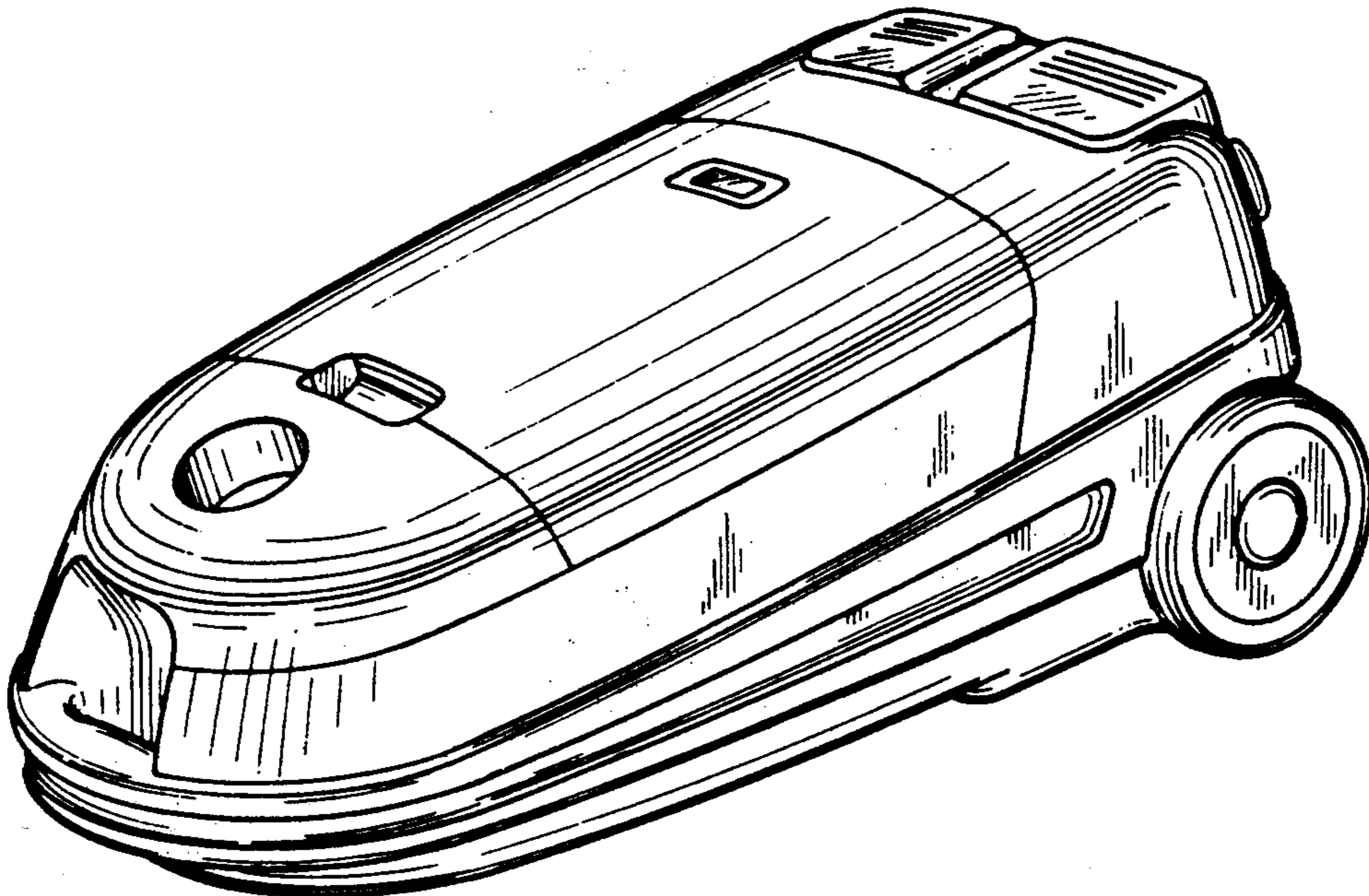


FIG. 1

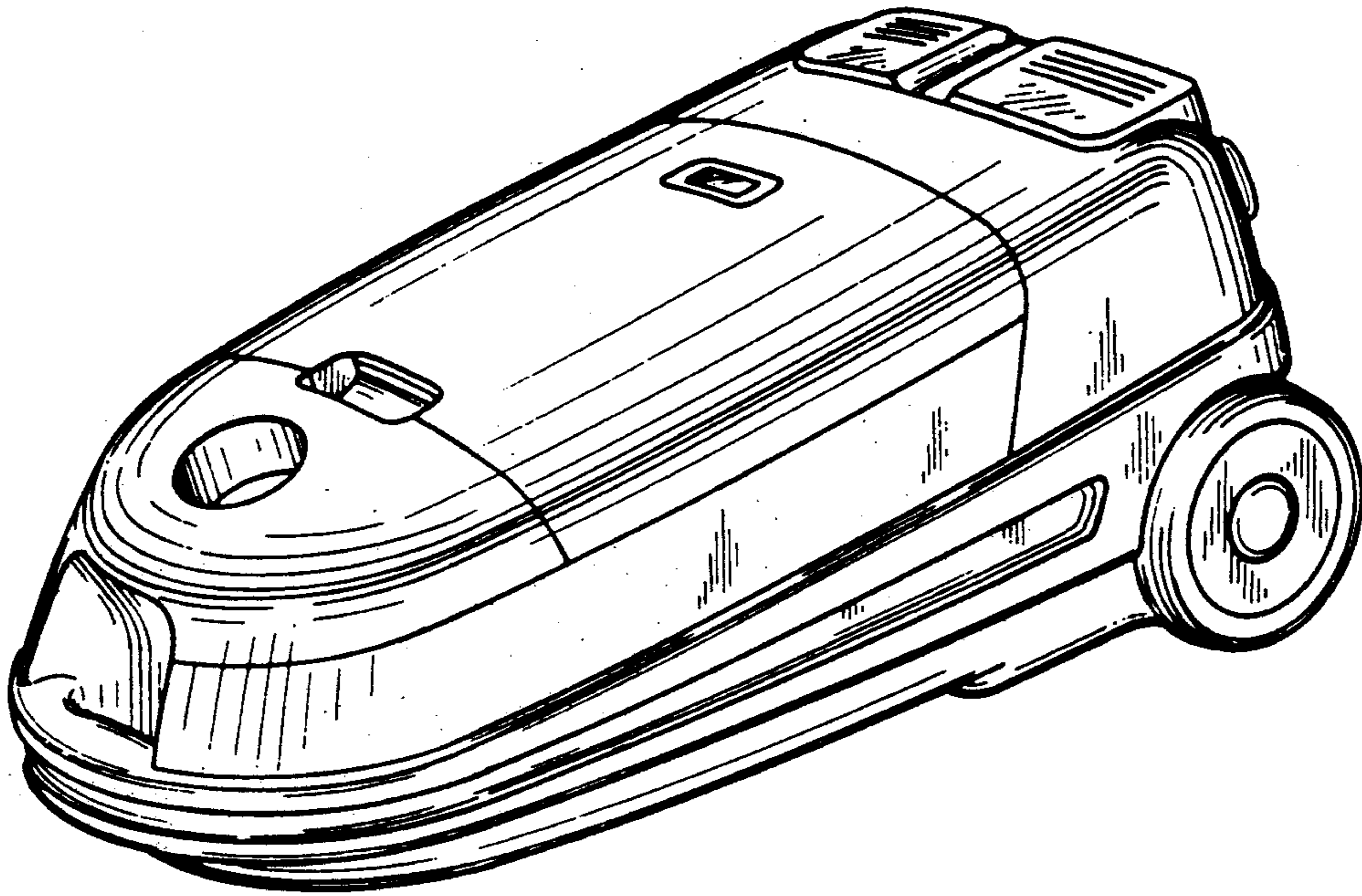


FIG. 2

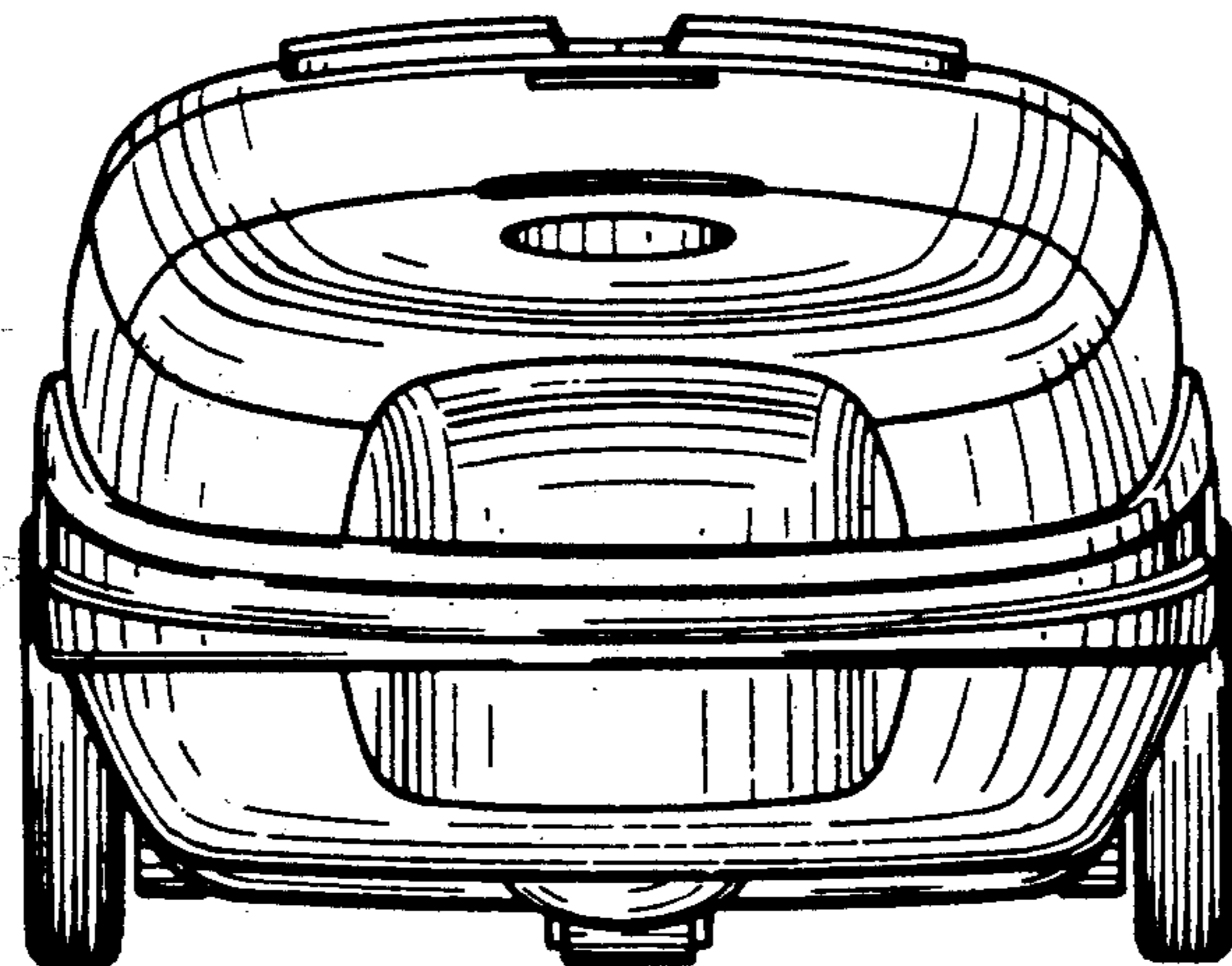


FIG. 3

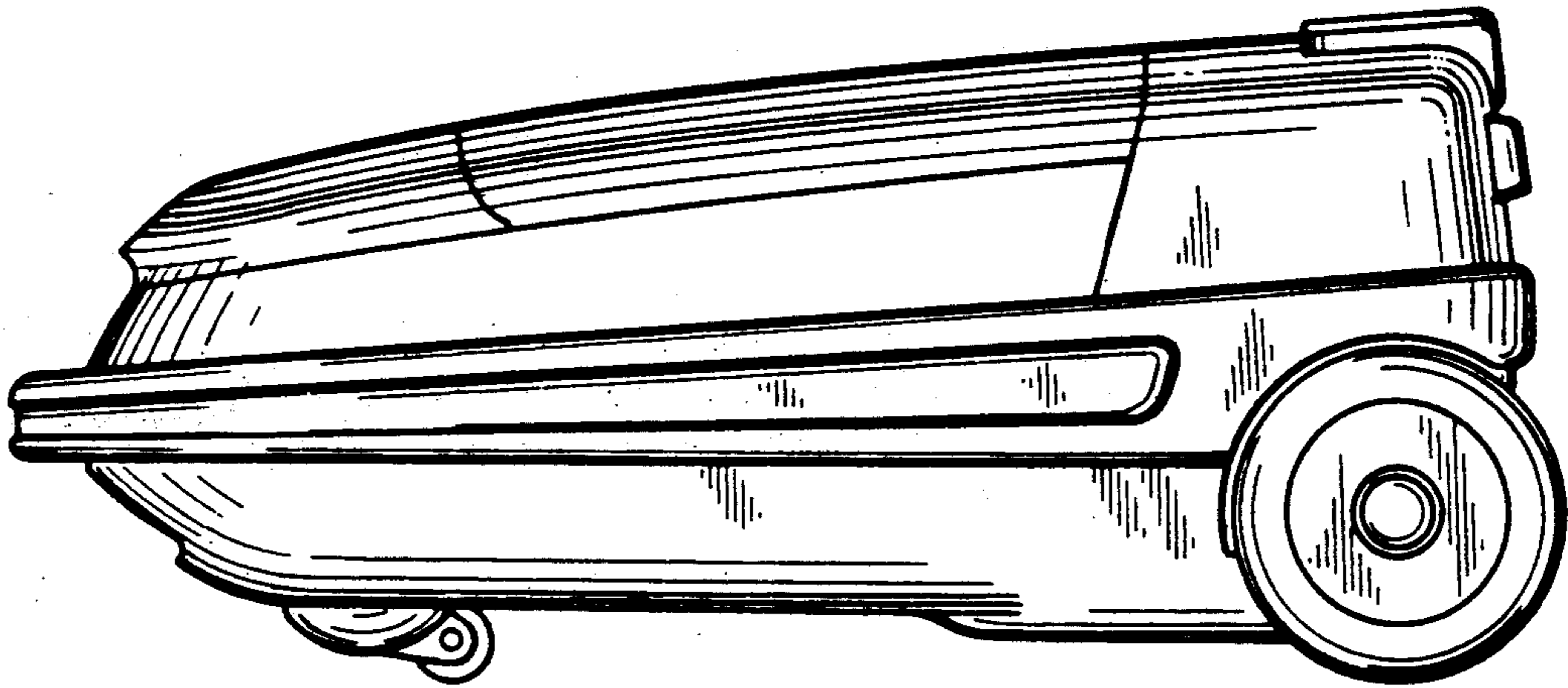


FIG. 4

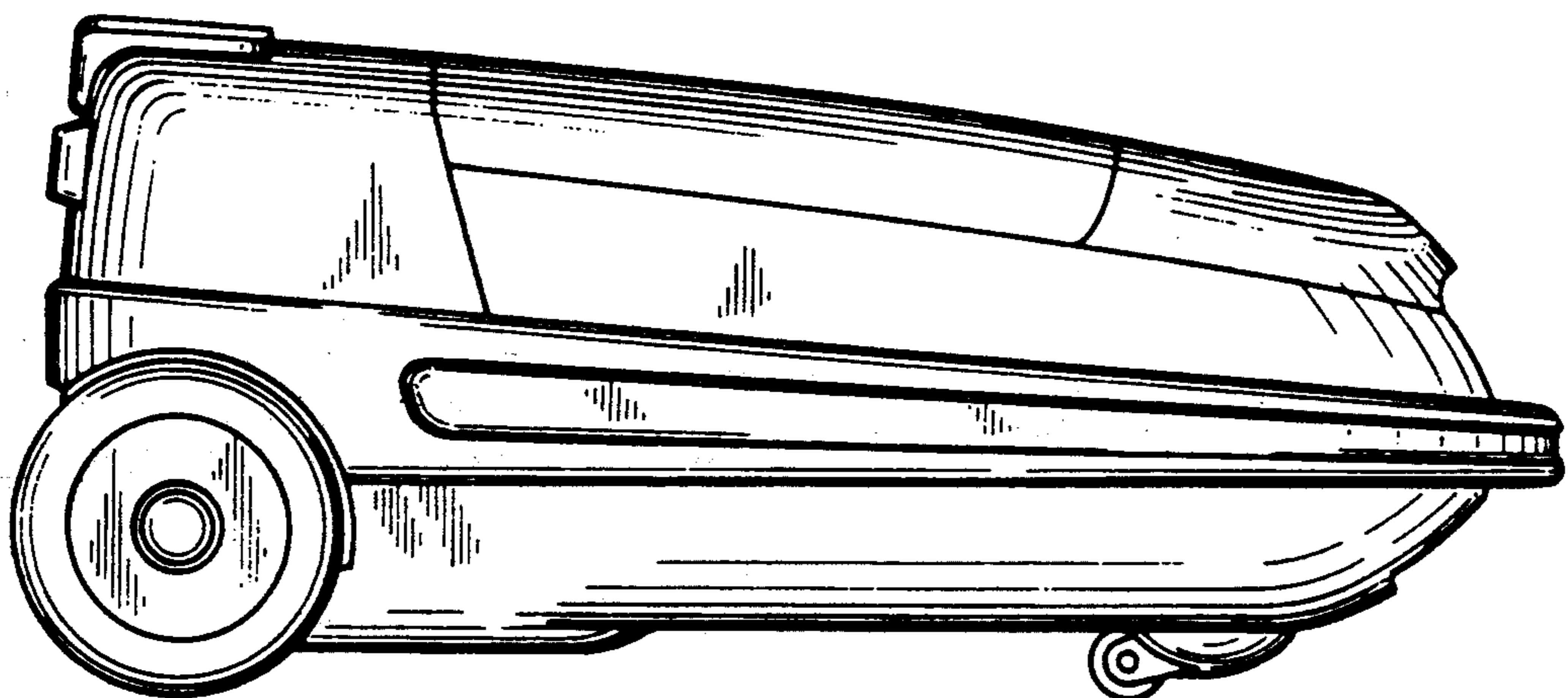


FIG. 5

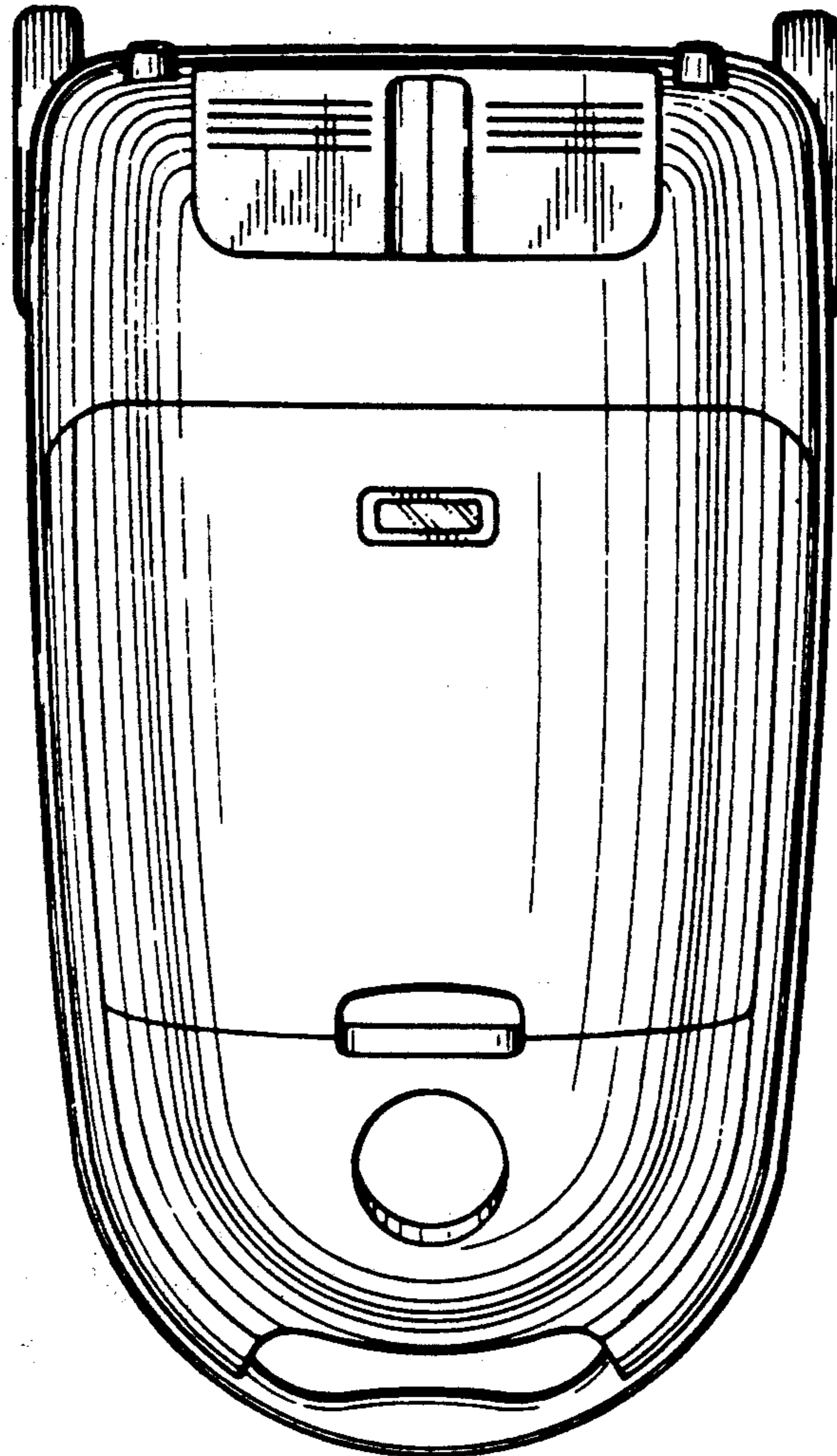


FIG. 6

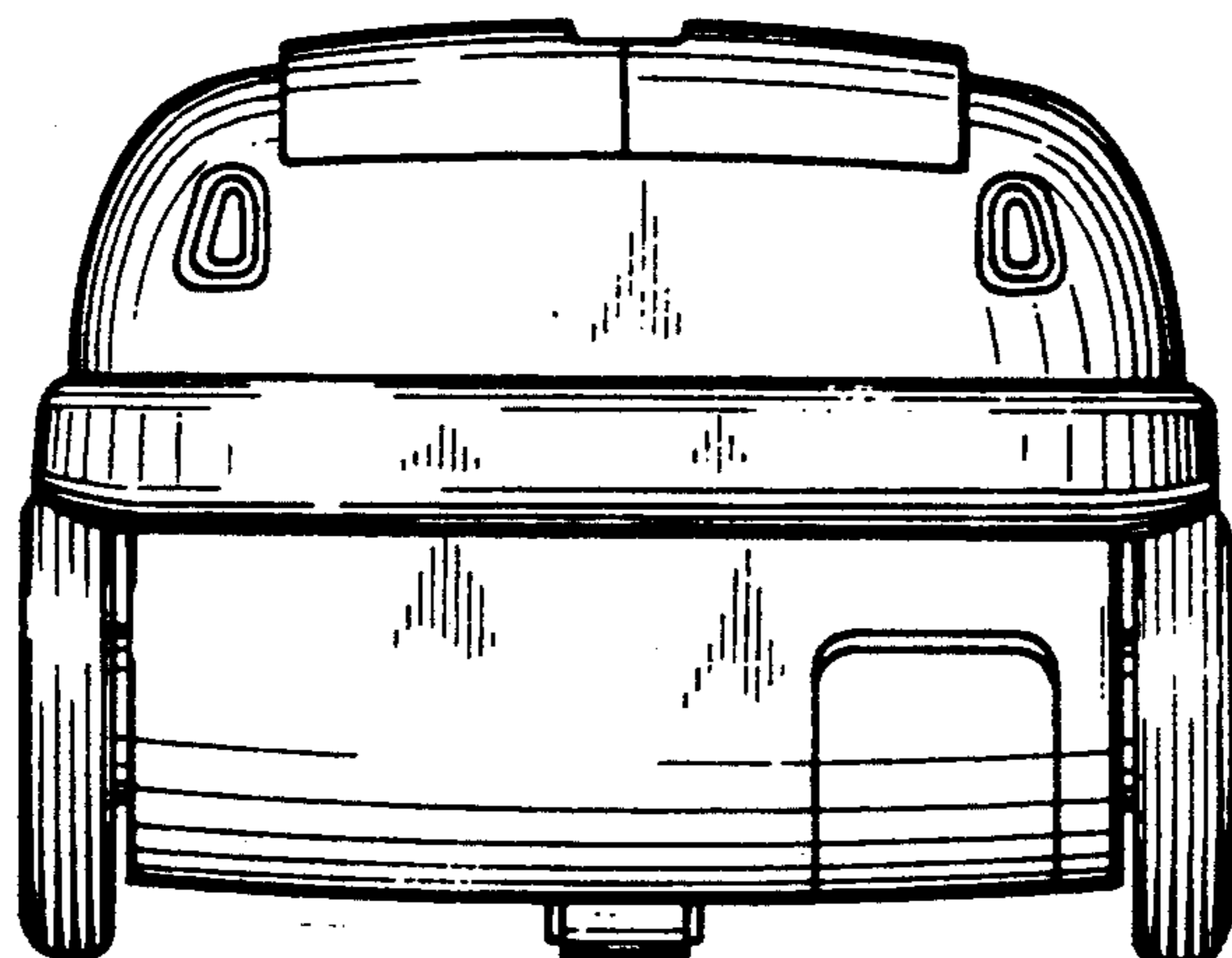


FIG. 7

