



US00D343929S

United States Patent [19]

[11] Patent Number: **Des. 343,929**

Karapetian

[45] Date of Patent: **** Feb. 1, 1994**

[54] **PET DISH**

[76] Inventor: **Vabe Karapetian**, 4801 Los Feliz Blvd., Los Angeles, Calif. 90027

[**] Term: **14 Years**

[21] Appl. No.: **784,049**

[22] Filed: **Oct. 28, 1991**

[52] U.S. Cl. **D30/130**

[58] Field of Search 119/61, 51.5, 72, 74; D7/672; D30/121, 129, 130, 131, 132, 133; D22/122

2,543,465	2/1951	Morey	119/51.5
4,395,015	7/1983	Reardon	D30/130
5,113,798	5/1992	Rera	119/61
5,117,778	6/1992	Imamura	119/51.5
5,195,463	3/1993	Lorenzana et al.	D30/132

OTHER PUBLICATIONS

Popular Mechanics; Dec. 1943; p. 131; Waterer.

Primary Examiner—A. Hugo Word

Assistant Examiner—CathyAnne MacCormac

Attorney, Agent, or Firm—Lyon & Lyon

[57] CLAIM

The ornamental design for a pet dish, as shown and described.

[56] References Cited

U.S. PATENT DOCUMENTS

D. 105,812	8/1937	Siekert	D30/130
D. 269,386	6/1983	Khider	D30/130
D. 296,485	6/1988	Peterson	D30/130
D. 303,169	8/1989	Hovey	D30/130
D. 304,275	10/1989	Kiefer	D30/129
2,529,354	11/1950	Schroeder	D7/672

DESCRIPTION

FIG. 1 is a prospective view showing the upper and side portions of the pet dish;

FIG. 2 is a plan view thereof;

FIG. 3 is a side view thereof; and,

FIG. 4 is a bottom view thereof.

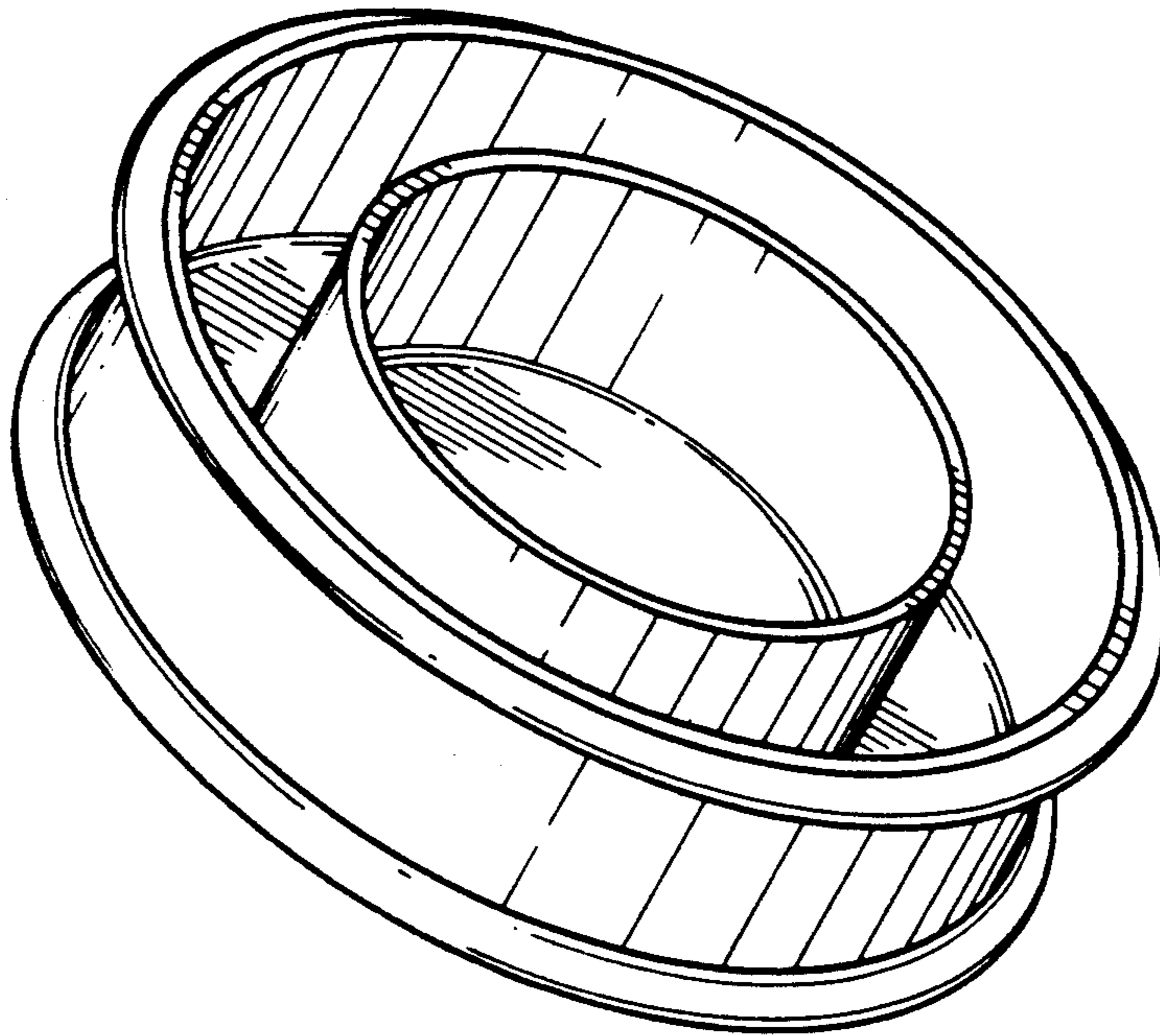


FIG. 1.

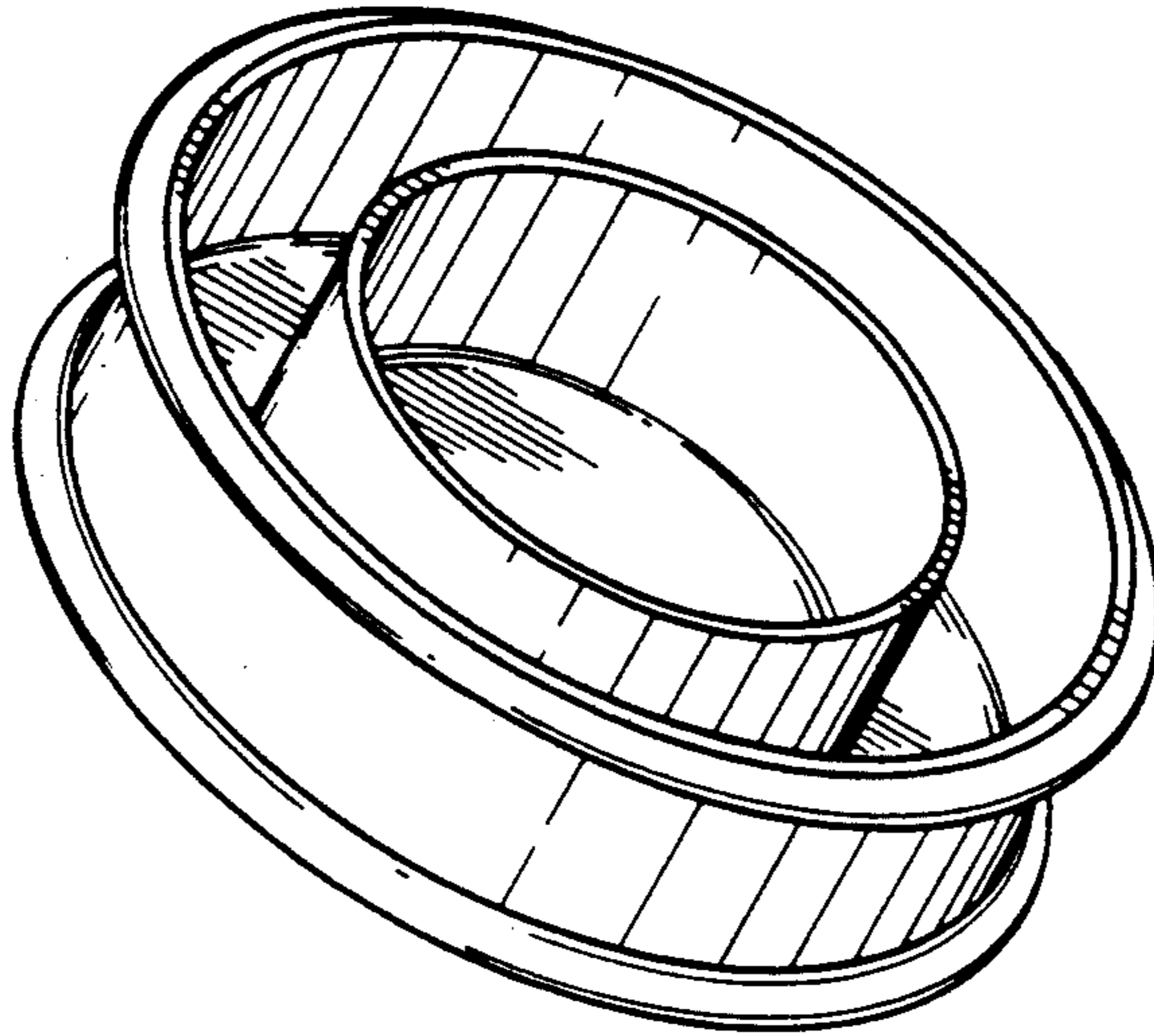


FIG. 3.

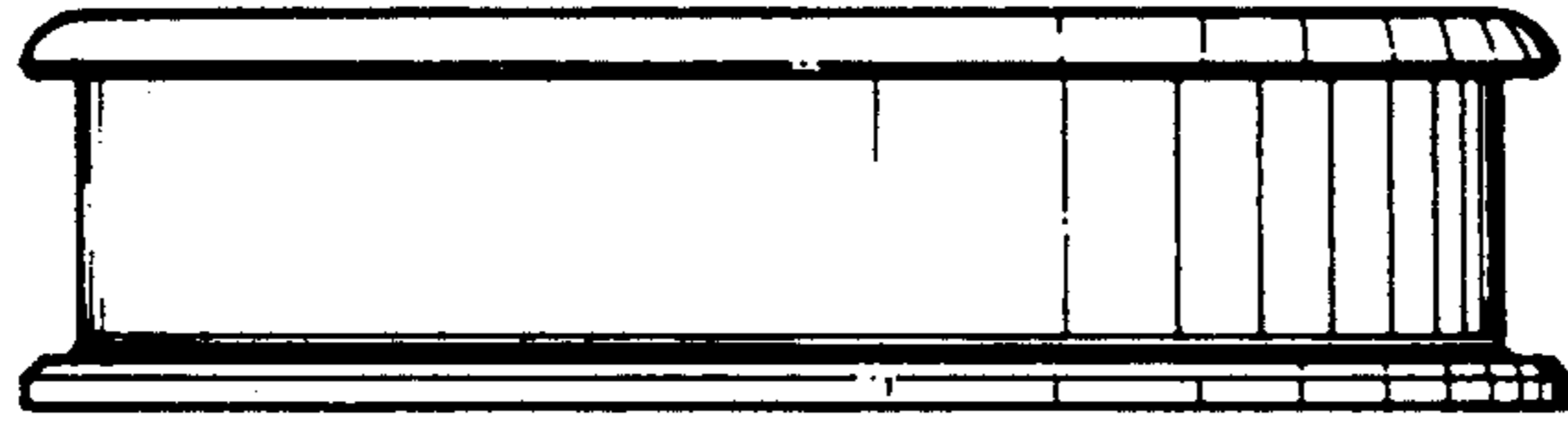


FIG. 2.

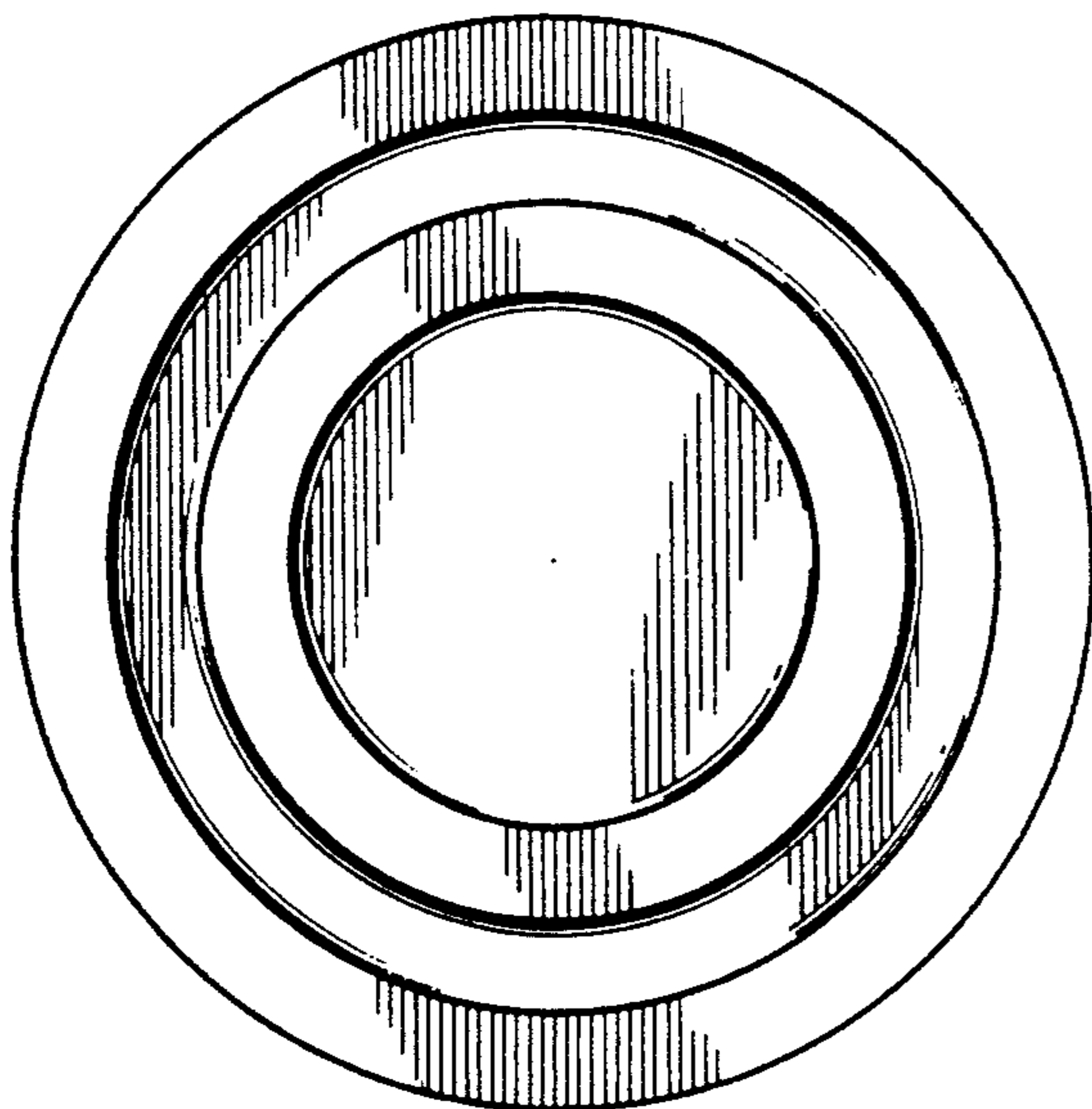
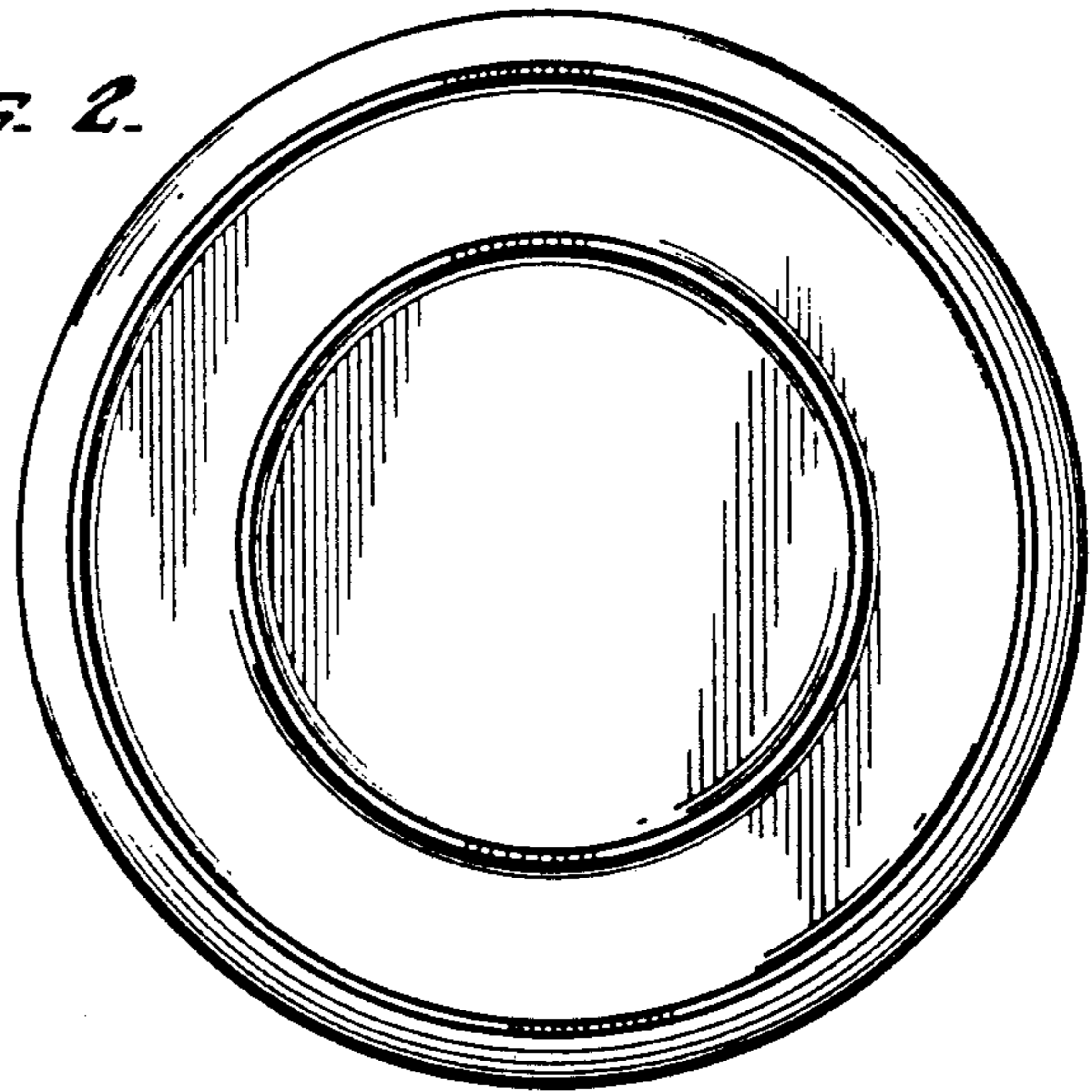


FIG. 4.