



US00D343916S

United States Patent [19]

[11] Patent Number: **Des. 343,916**

King et al.

[45] Date of Patent: **** Feb. 1, 1994**

[54] **HEADLAMP WITH HEXAGONAL FACETED REFLECTOR**

Primary Examiner—Susan J. Lucas
Attorney, Agent, or Firm—William E. Meyer

[75] Inventors: **Robert L. King; James J. Murphy,**
both of Seymour, Ind.

[57] **CLAIM**

[73] Assignee: **GTE Products Corporation,** Danvers,
Mass.

The ornamental design for a headlamp with hexagonal faceted reflector, as shown and described.

[**] Term: **14 Years**

DESCRIPTION

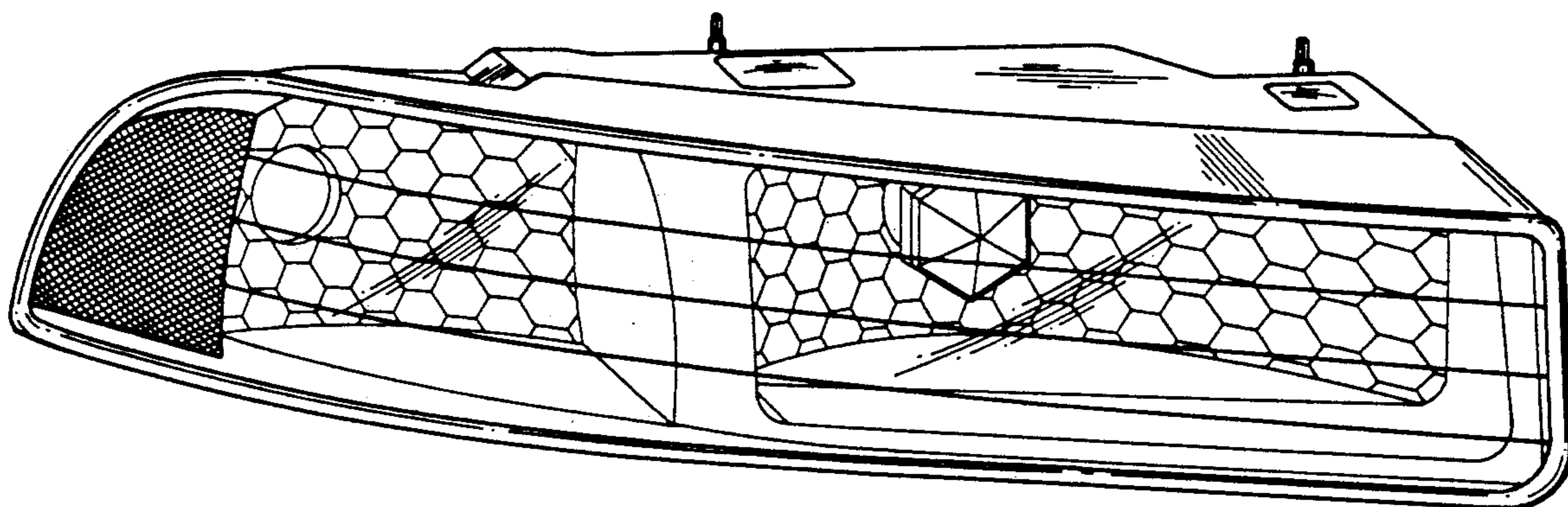
[21] Appl. No.: **813,427**

FIG. 1 is a front perspective view of a headlamp with hexagonal faceted reflector;
FIG. 2 is a front elevational view thereof;
FIG. 3 is a back view thereof;
FIG. 4 is an inboard (right side) view thereof;
FIG. 5 is an outboard (left side) view thereof;
FIG. 6 is a top view thereof; and,
FIG. 7 is a bottom view thereof.

[22] Filed: **Dec. 26, 1991**

[52] U.S. Cl. **D26/35**

[58] Field of Search 362/61, 80, 80.1, 83,
362/83.3, 326, 334, 335, 336, 337, 339;
D26/28-36, 120, 122



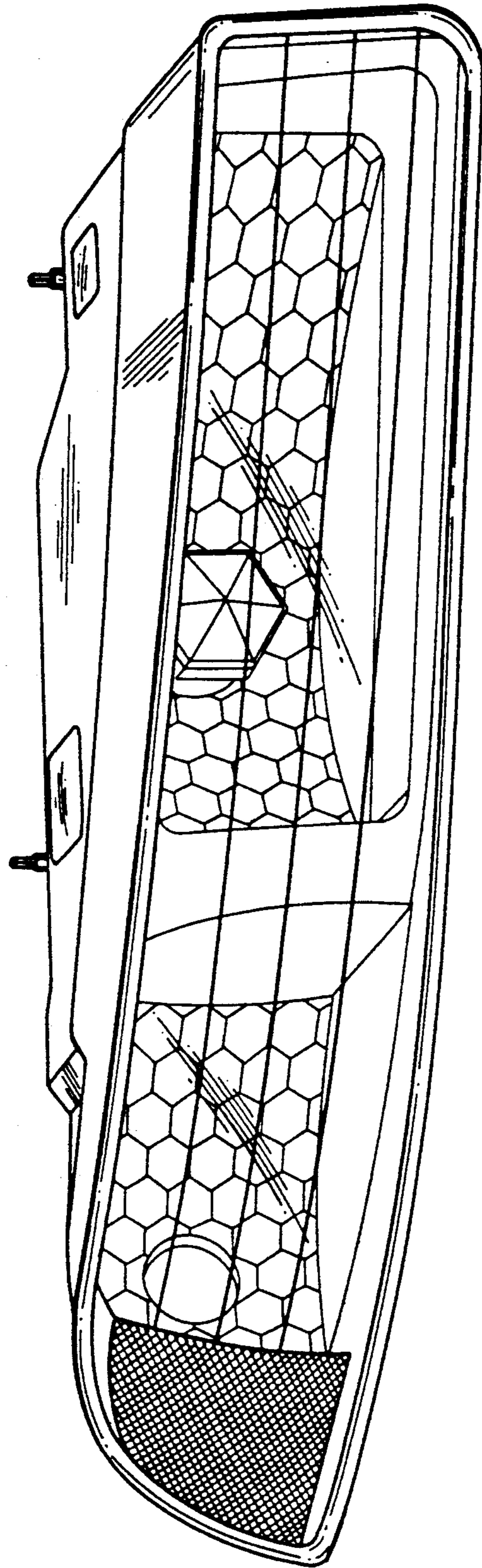


FIG. 1

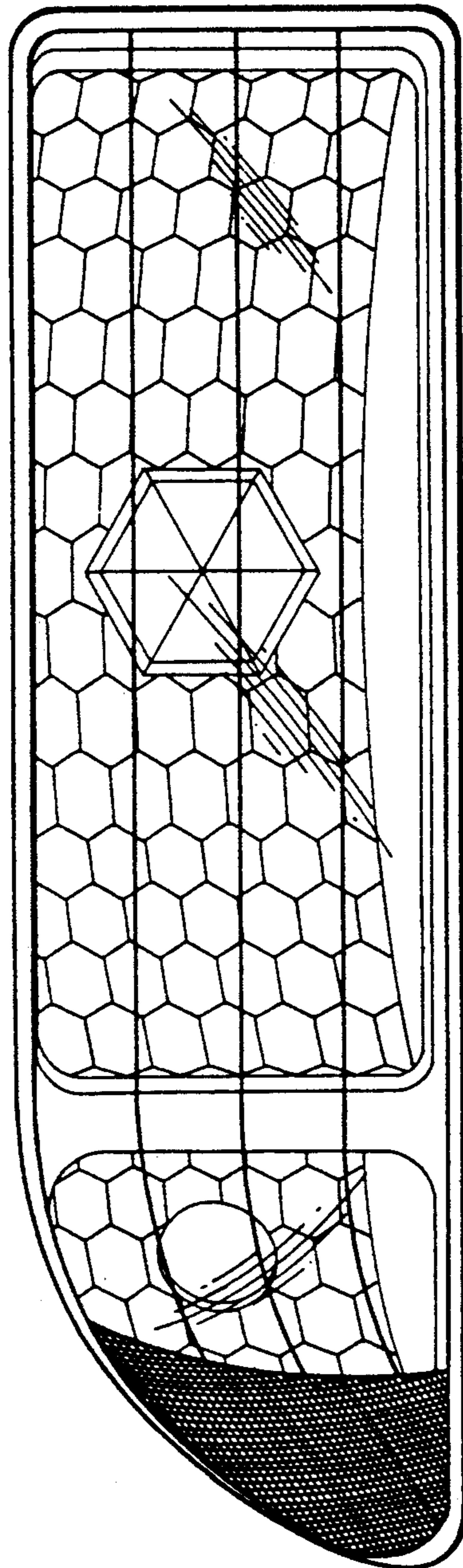


FIG. 2

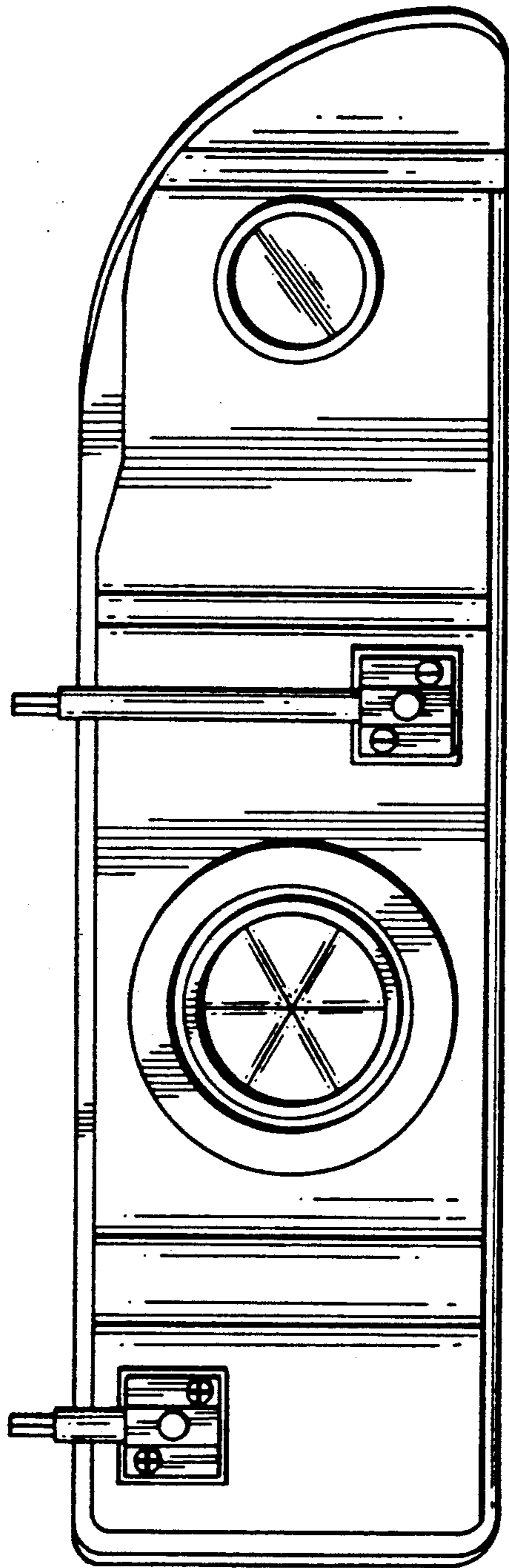


FIG. 3

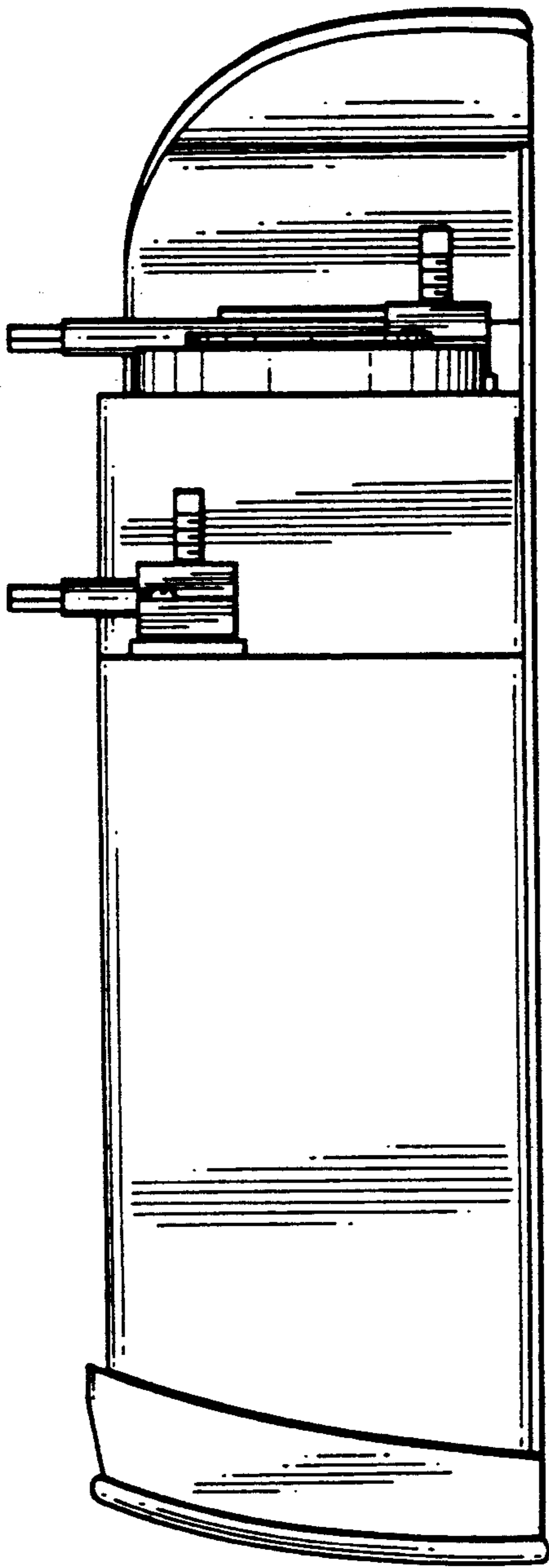


FIG. 4

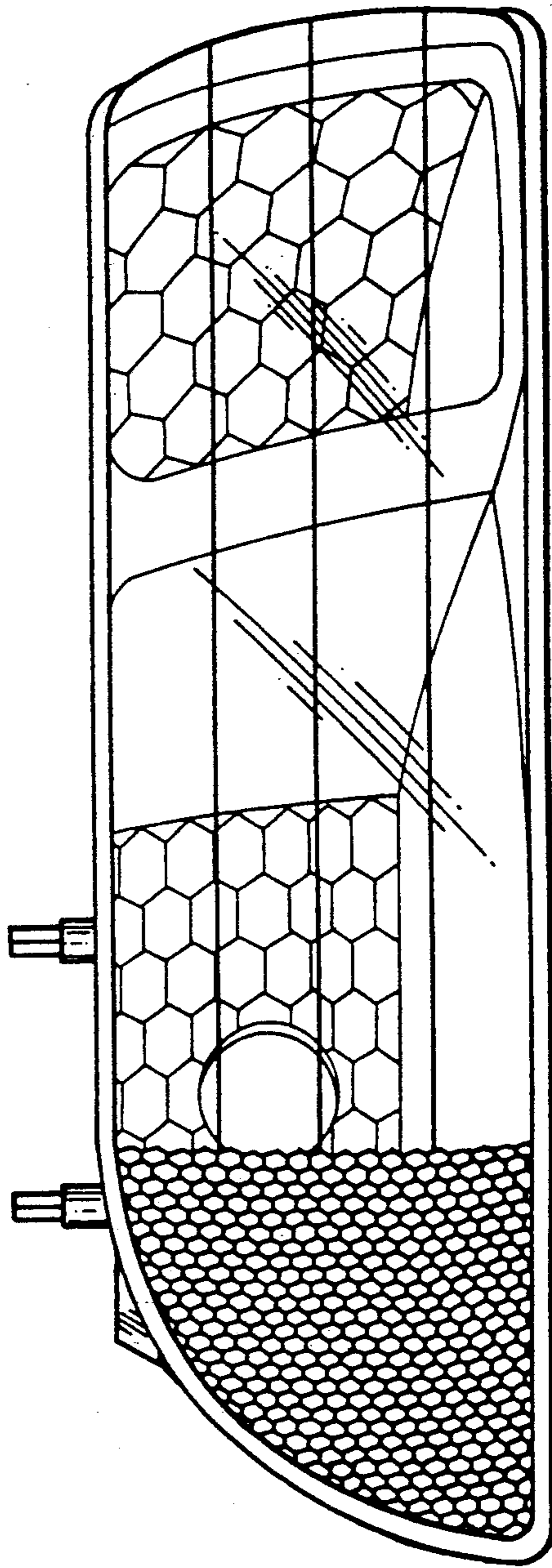


FIG. 5

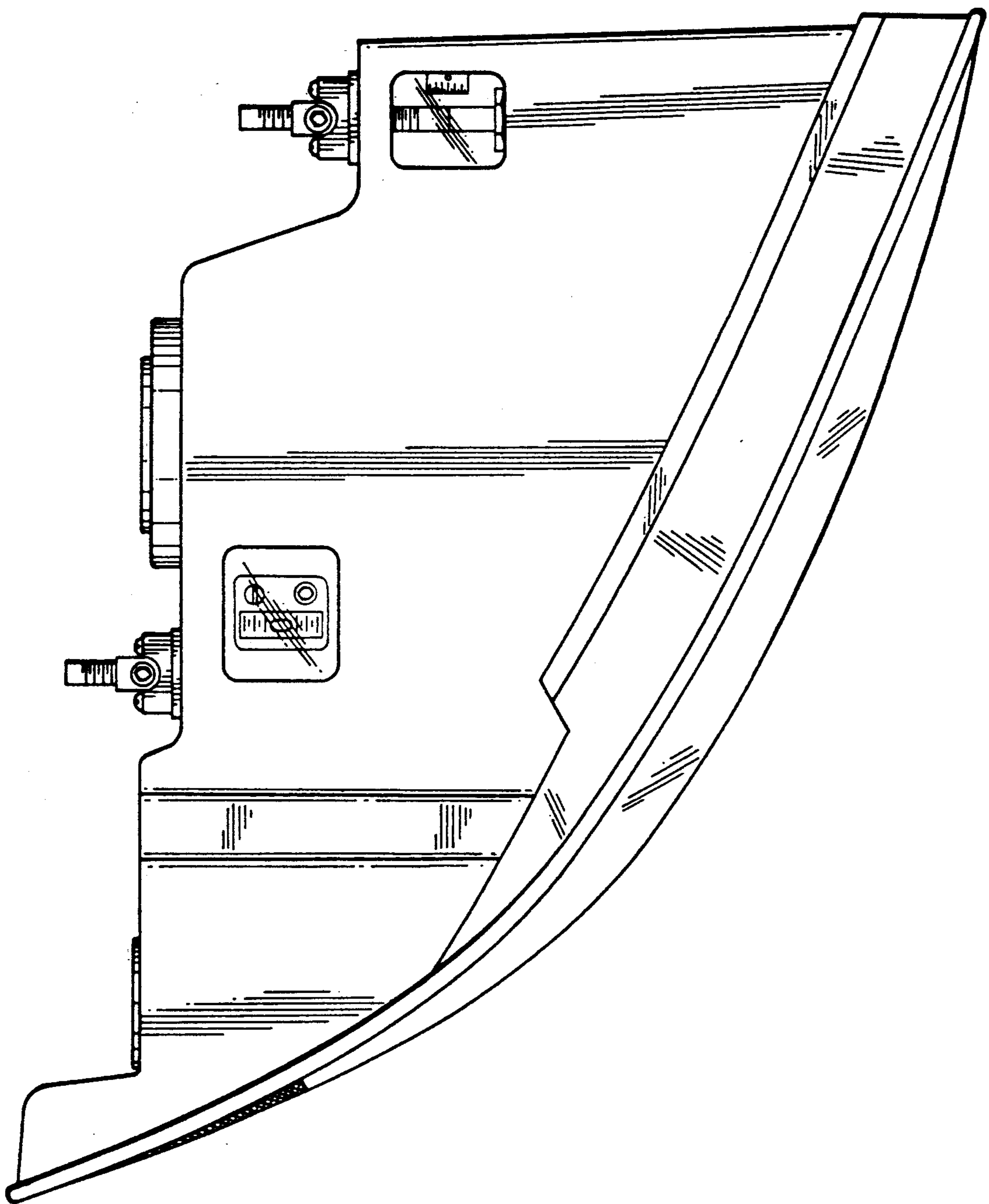


FIG. 6

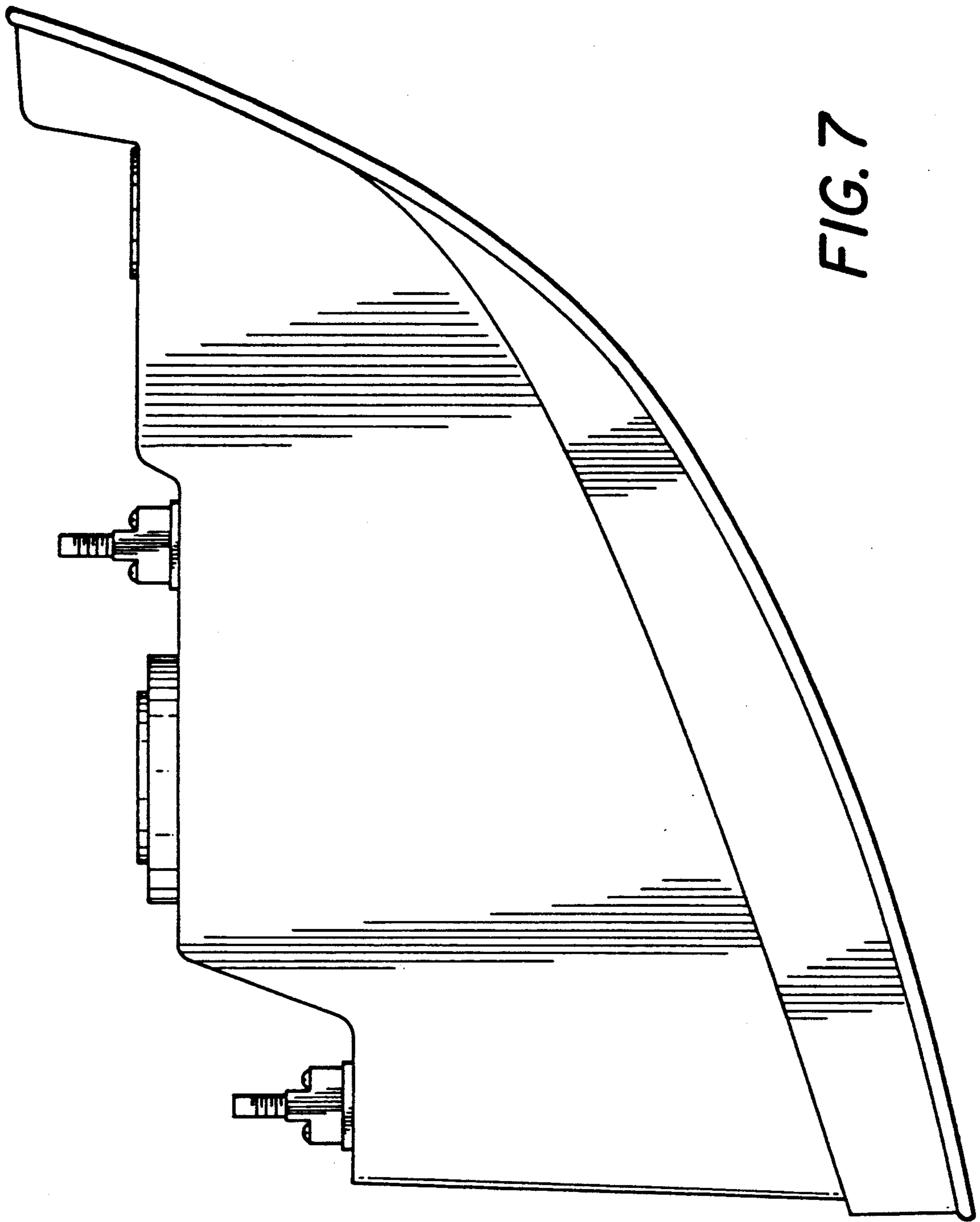


FIG. 7