



US00D343915S

# United States Patent [19]

[11] Patent Number: **Des. 343,915**

**Baader et al.**

[45] Date of Patent: **\*\* Feb. 1, 1994**

## [54] RECESSED HOUSING FOR VEHICLE INTERIOR DOME LIGHT

[76] Inventors: **Joseph E. Baader**, 333 Holiday Dr., Springfield, Ohio 45505; **Edward J. Baader**, 232 Stephen La., Springfield, Ohio 45505

[\*\*] Term: **14 Years**

[21] Appl. No.: **783,074**

[22] Filed: **Oct. 24, 1991**

[52] U.S. Cl. .... **D26/28; D26/74**

[58] Field of Search ..... **362/147, 432, 61, 74, 362/80, 80.1, 83; D26/72, 80-92, 74, 28-36**

### [56] References Cited

#### U.S. PATENT DOCUMENTS

2,116,750	5/1938	Dashner .	
3,671,739	6/1972	McCain .	
4,628,417	12/1986	Kaminski et al. ....	362/74
4,686,609	8/1987	Dykstra et al. ....	362/61
4,760,500	7/1988	Peng .....	362/74

### FOREIGN PATENT DOCUMENTS

727330	3/1955	United Kingdom .....	362/74
1451580	10/1976	United Kingdom .....	362/74

### OTHER PUBLICATIONS

Xantech Lighting Catalog, ©1987, p. 2, Courtesy Light #103110.

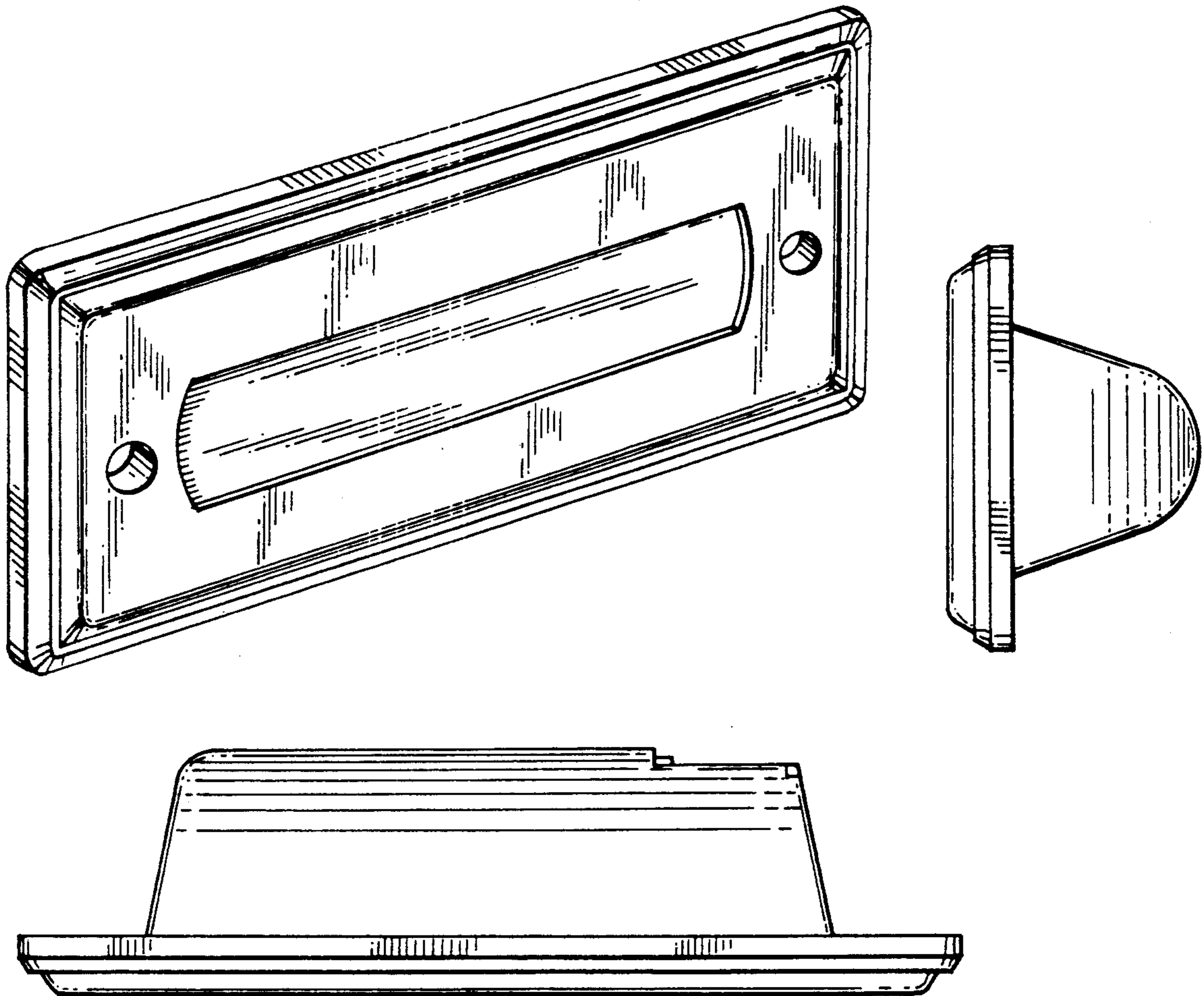
*Primary Examiner*—Susan J. Lucas  
*Attorney, Agent, or Firm*—David H. Semmes

### [57] CLAIM

The ornamental design for a recessed housing for vehicle interior dome light, as shown and described.

### DESCRIPTION

FIG. 1 is a perspective view of the front of the recessed housing for vehicle interior dome light;  
FIG. 2 is a front elevation;  
FIG. 3 is a top plan;  
FIG. 4 is a rear elevation;  
FIG. 5 is a bottom plan;  
FIG. 6 is an end elevation from the left-hand side; and,  
FIG. 7 is an end elevation from the right-hand side.



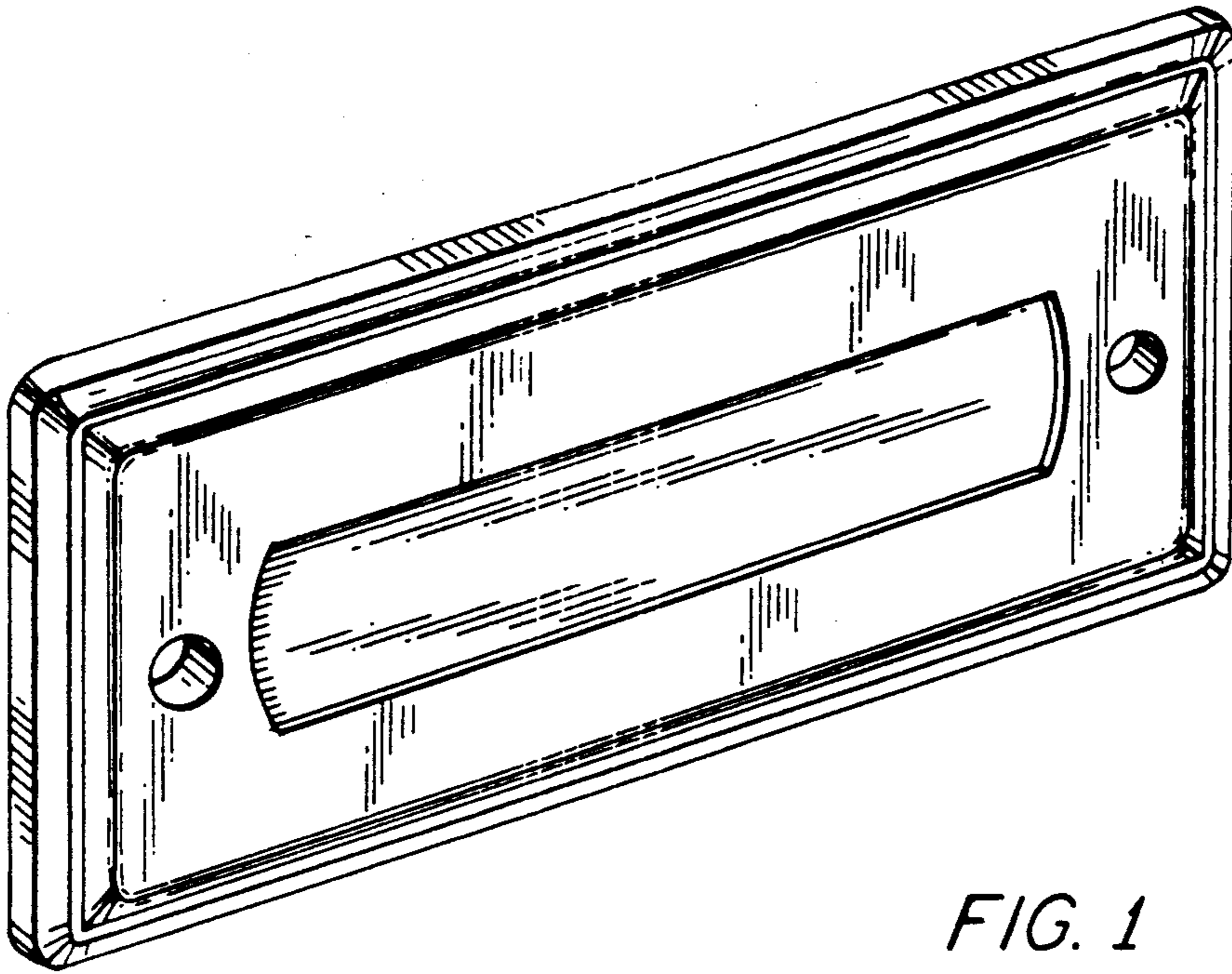


FIG. 1

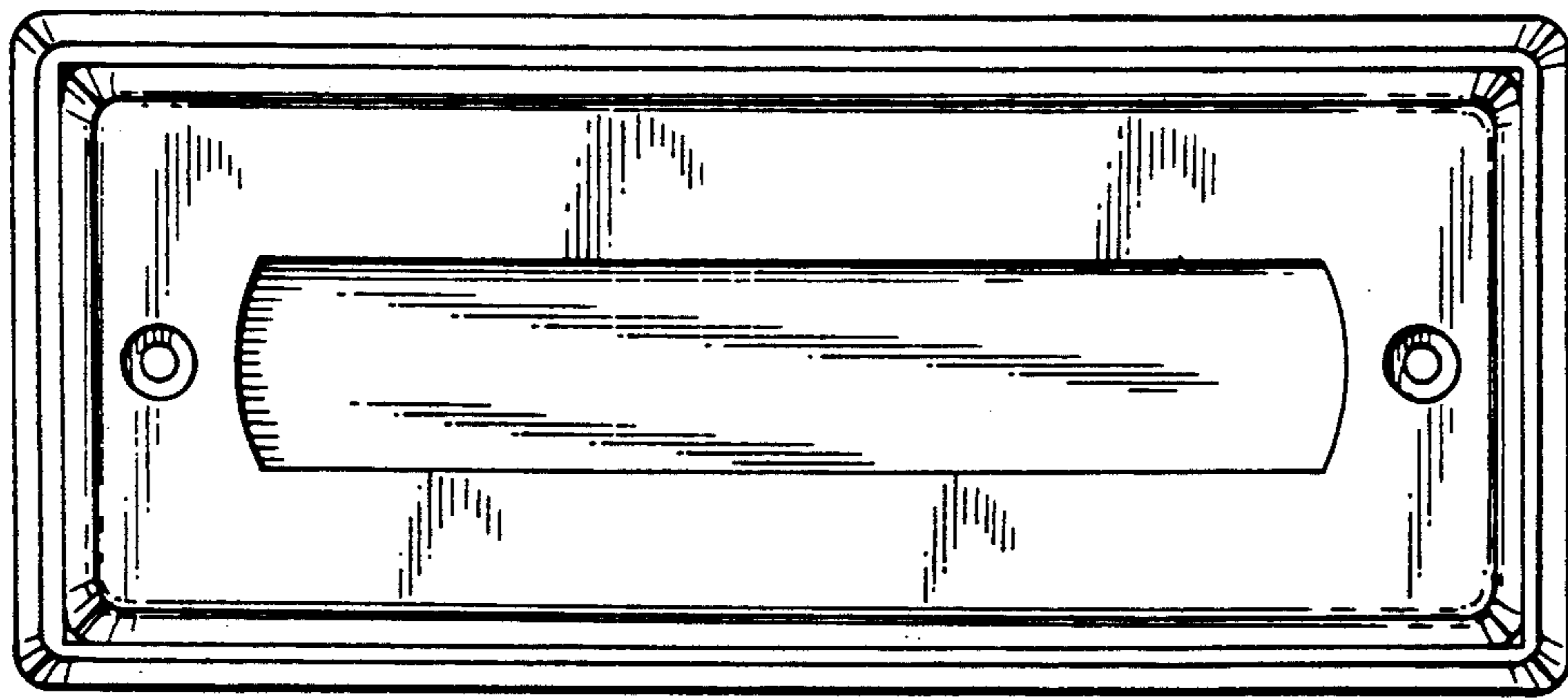


FIG. 2

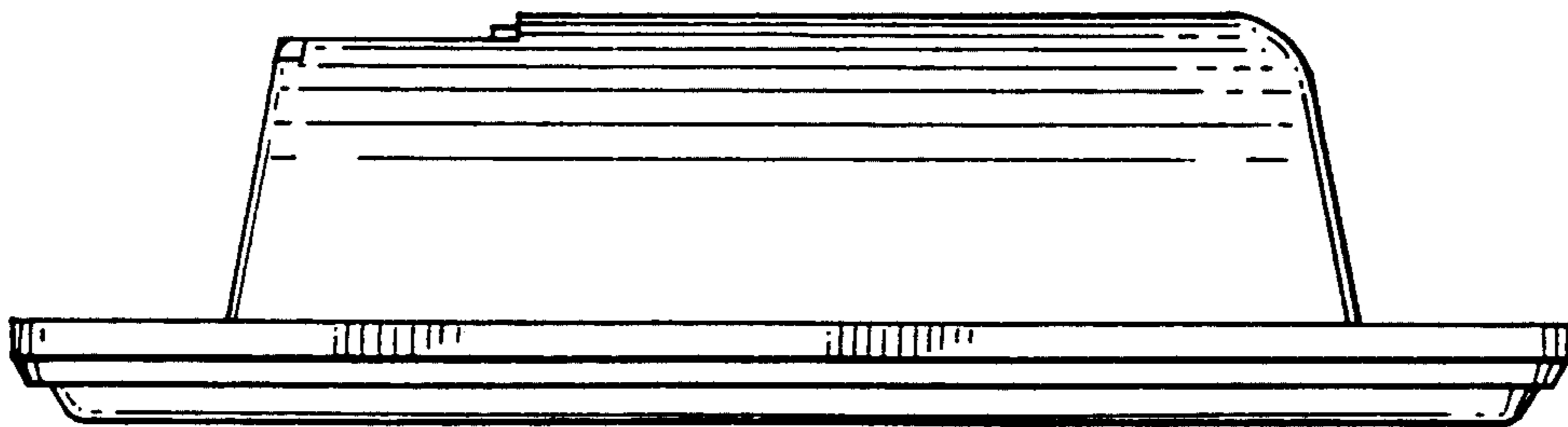


FIG. 3

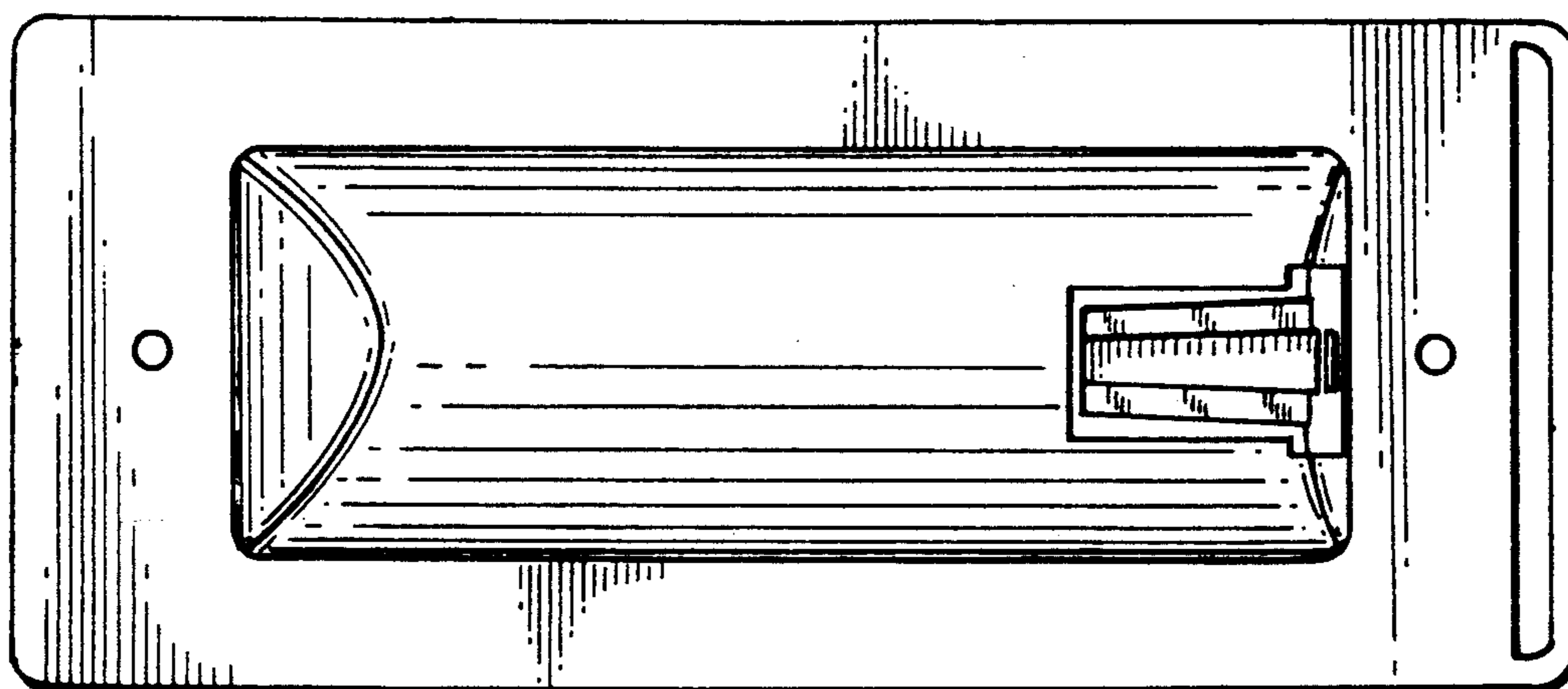


FIG. 4

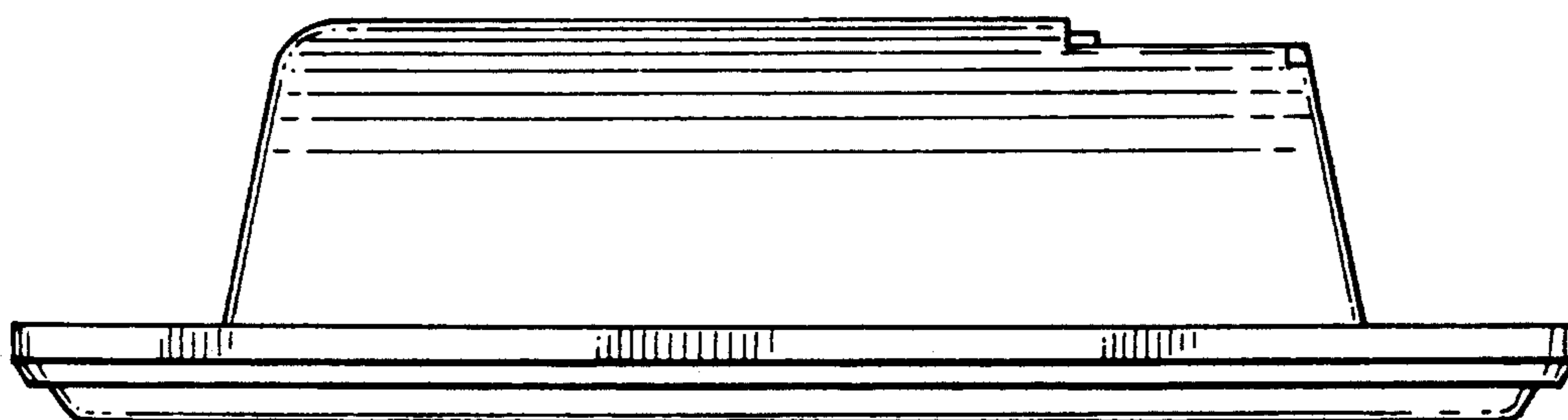


FIG. 5

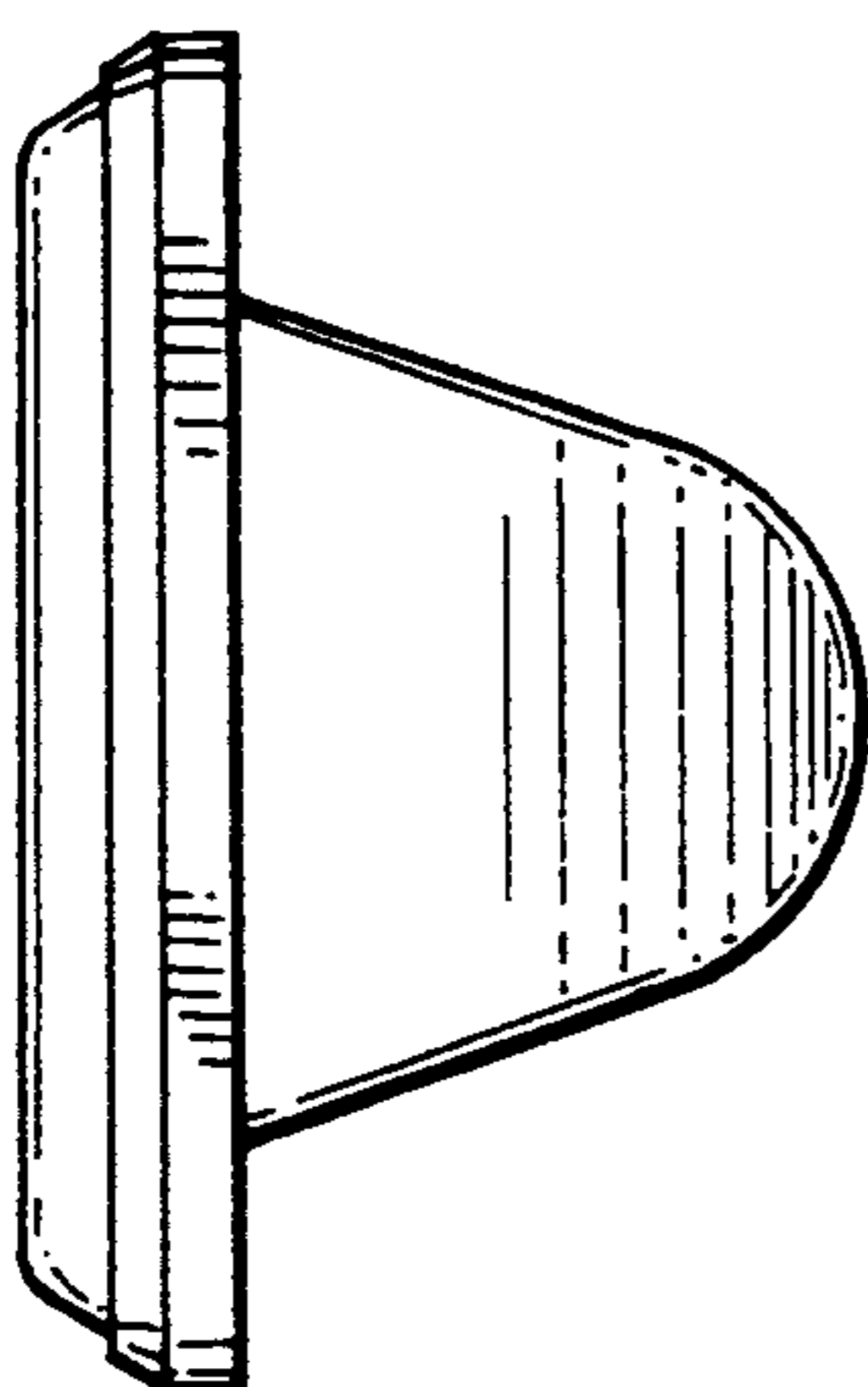


FIG. 6

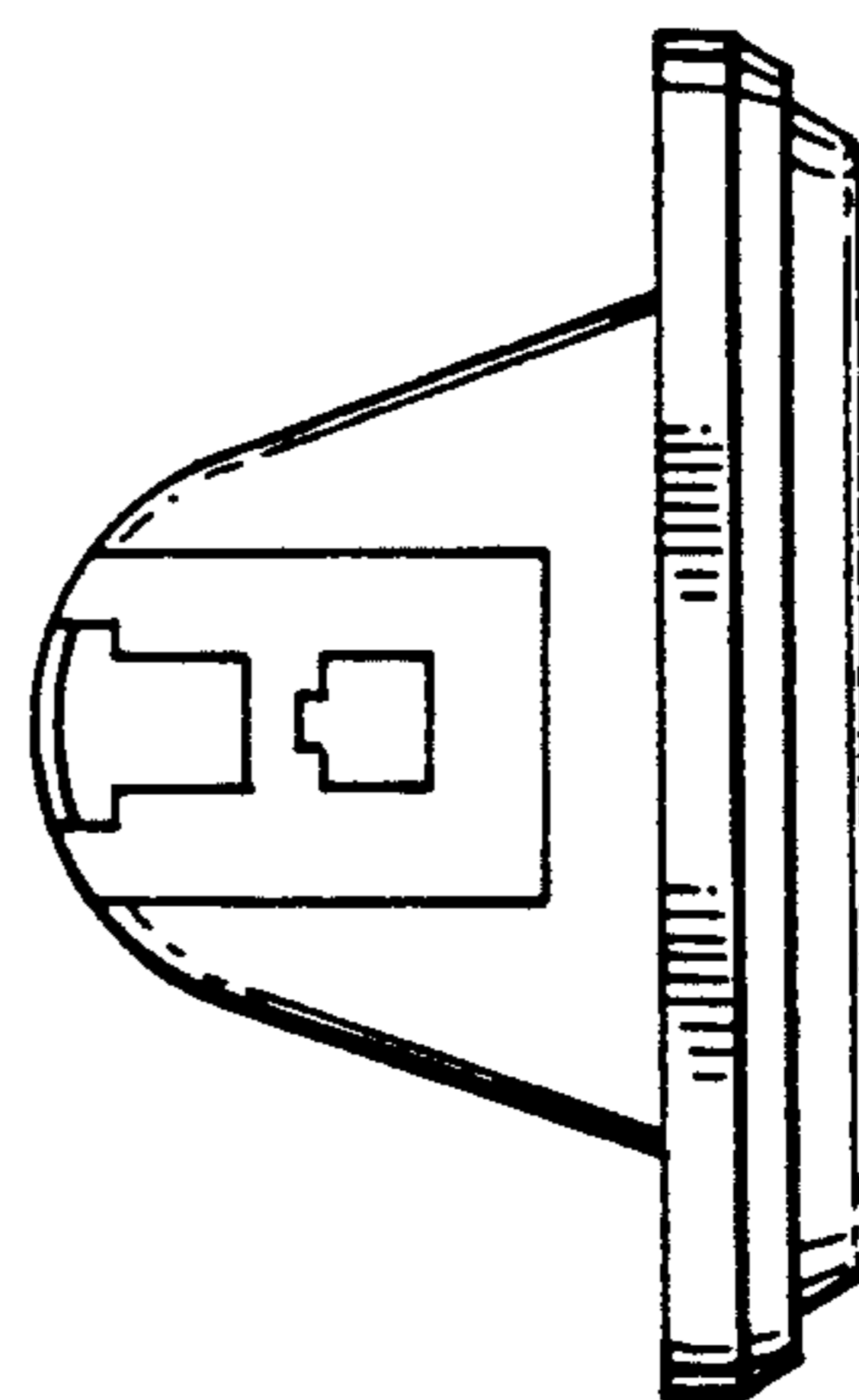


FIG. 7