



US00D343913S

United States Patent [19]

Kane

[11] Patent Number: **Des. 343,913**

[45] Date of Patent: **** Feb. 1, 1994**

[54] **LIQUID CANDLE SNUFFER**

[75] Inventor: **Richard J. Kane, Middlesex, N.J.**

[73] Assignee: **Standex International Corporation, Salem, N.H.**

[**] Term: **14 Years**

[21] Appl. No.: **855,332**

[22] Filed: **Mar. 17, 1992**

[52] U.S. Cl. **D26/23; D29/2**

[58] Field of Search **431/33, 34, 35, 289, 431/290, 293, 144, 146; D29/2; D26/23**

[56] **References Cited**

U.S. PATENT DOCUMENTS

D. 305,264	12/1989	Bengtsson et al.	D26/23
D. 310,127	8/1990	Johnsson	D26/23
1,822,652	9/1931	Gluckert	431/289

Primary Examiner—Wallace R. Burke
Assistant Examiner—Robin Taylor
Attorney, Agent, or Firm—Fishman, Dionne & Cantor

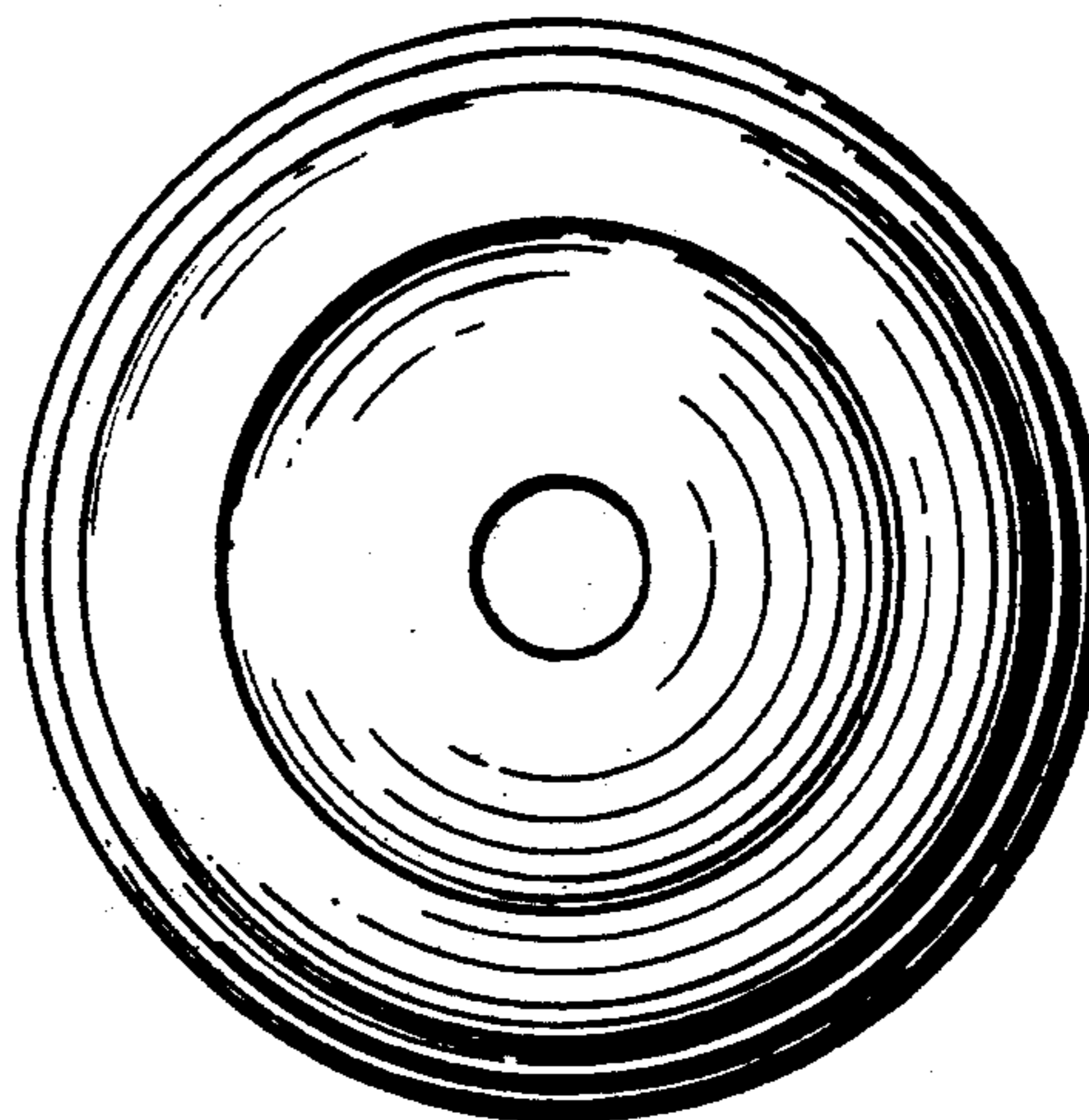
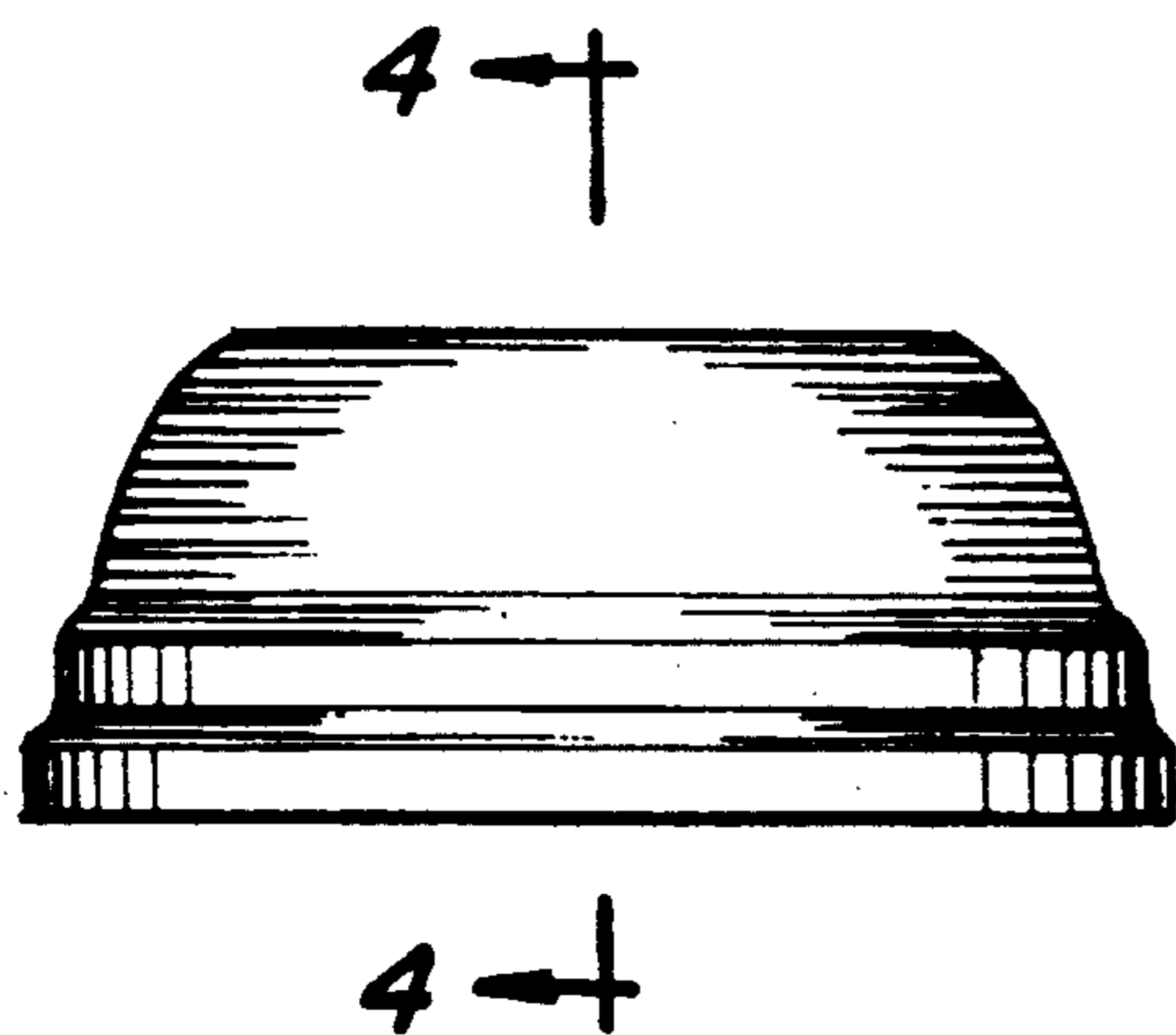
[57] **CLAIM**

The ornamental design for a liquid candle snuffer, as shown and described.

DESCRIPTION

FIG. 1 is a front elevation view of my new design for a liquid candle snuffer;
FIG. 2 is a top view thereof;
FIG. 3 is a bottom view thereof; and,
FIG. 4 is a section view thereof taken along the line 4-4 of FIG. 1 wherein a liquid candle is shown in phantom.

The broken line showing of liquid candle is for illustrative purposes only and forms no part of the claimed design.



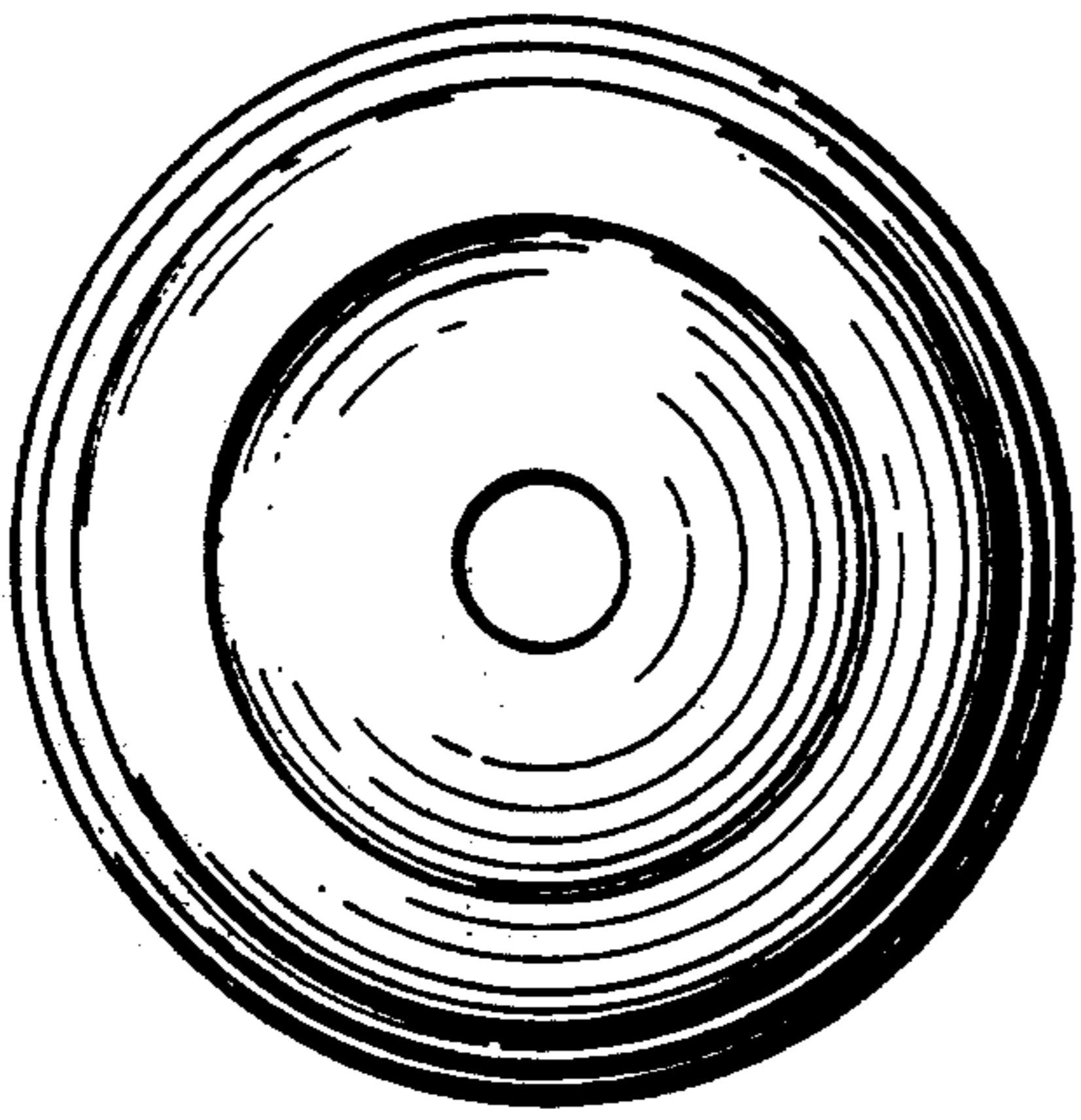
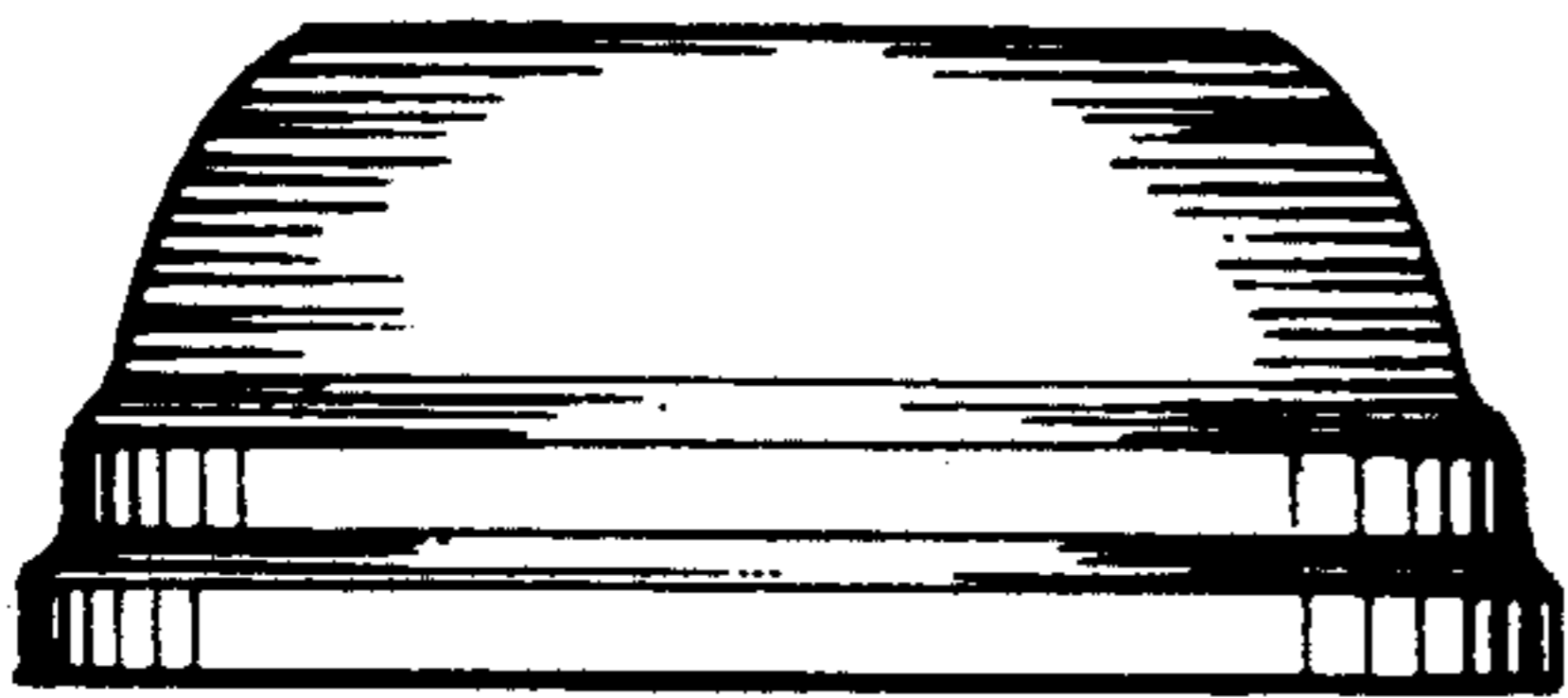


FIG. 2

4 ←



4 ←

FIG. 1

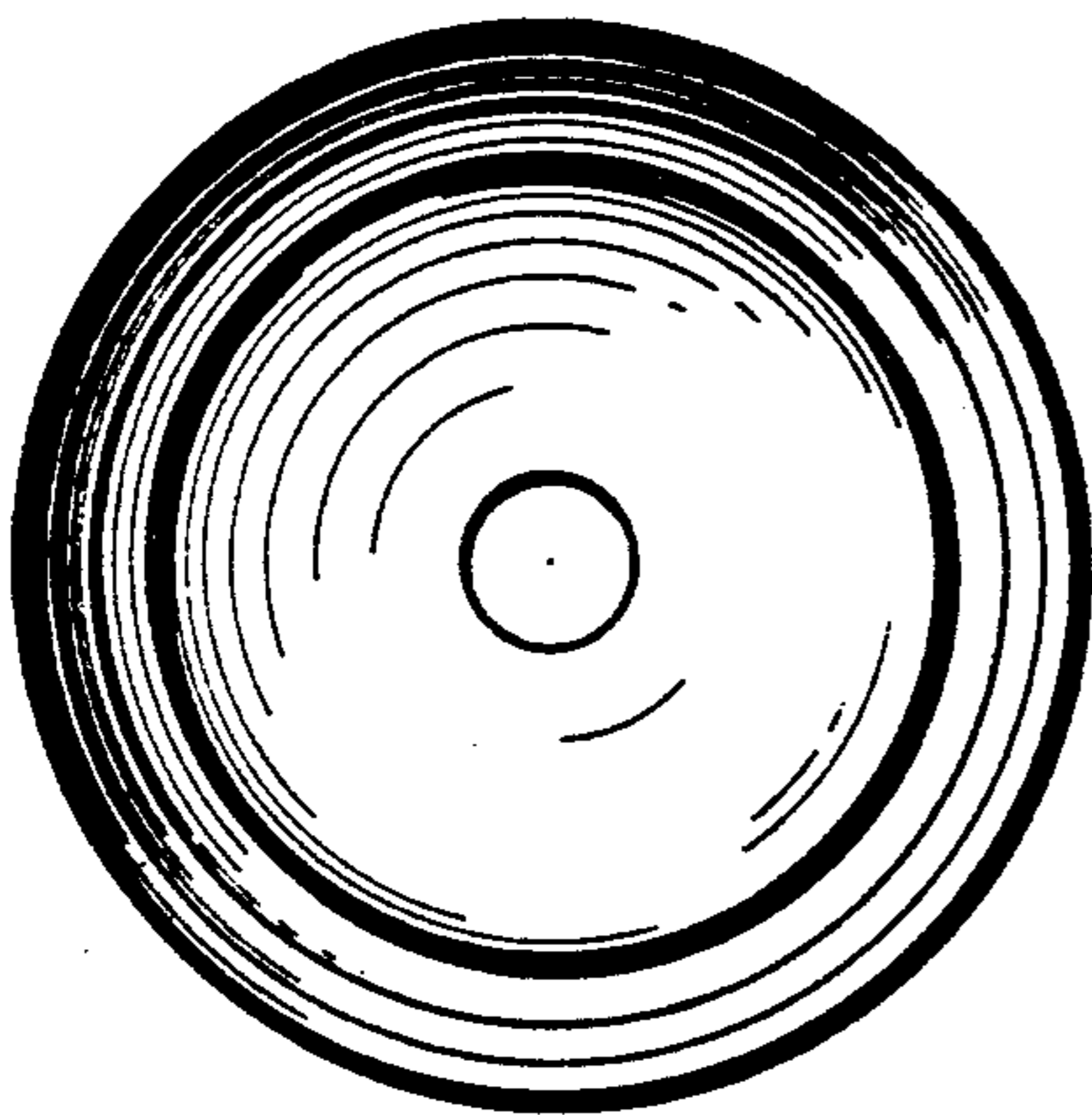


FIG. 3

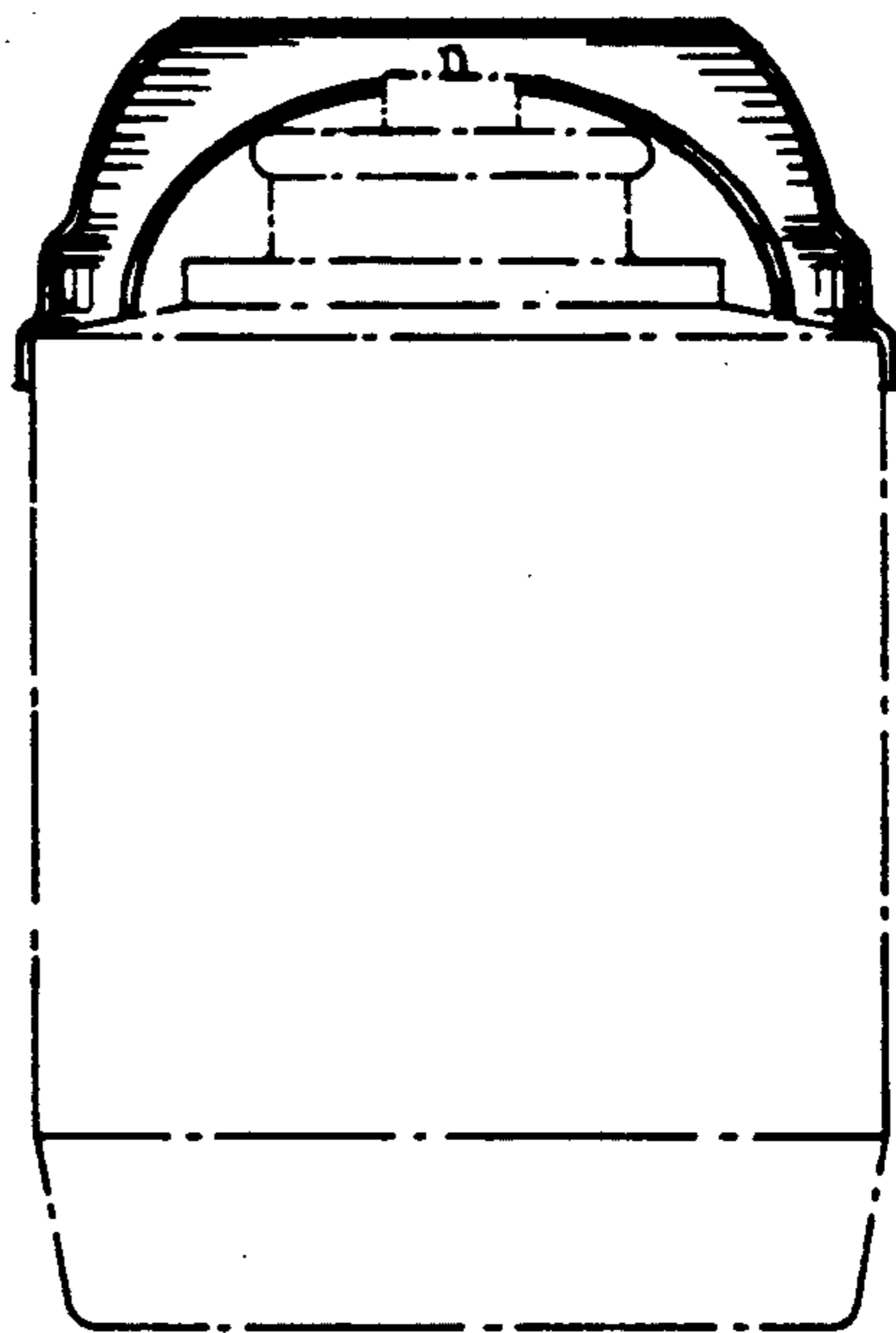


FIG. 4