



US00D343909S

United States Patent [19]

[11] Patent Number: **Des. 343,909**

Flynn

[45] Date of Patent: **** Feb. 1, 1994**

[54] **METAL EXTRUSION SHAPE FOR SUPPORTING SCREENING AROUND PORCHES**

Primary Examiner—A. Hugo Word
Assistant Examiner—Doris Clark
Attorney, Agent, or Firm—Thomas A. Lennox

[76] Inventor: **Gerald B. Flynn, 5221 Bush River Rd., Columbia, S.C. 29212**

[57] **CLAIM**

The ornamental design for a metal extrusion shape for supporting screening around porches, as shown and described.

[**] Term: **14 Years**

[21] Appl. No.: **900,345**

DESCRIPTION

[22] Filed: **Jun. 8, 1992**

[52] U.S. Cl. **D25/123**

[58] Field of Search 256/DIG. 6; 52/827;
D25/119, 121, 123, 125, 126, 131, 132

FIG. 1 is a front, top, and right side perspective view of a metal extrusion shape for supporting screening around porches showing my new design, the extrusion is broken in the center to disclose indeterminate length;

FIG. 2 is a rear, bottom, and left side perspective view thereof;

FIG. 3 is a front, top and right side perspective view of a second embodiment of a metal extrusion shape for supporting screening around porches showing my new design, the extrusion is broken in the center to disclose indeterminate length; and,

FIG. 4 is a rear, bottom, and left side perspective view thereof.

[56] **References Cited**

U.S. PATENT DOCUMENTS

D. 300,567	4/1989	Dallaire et al.	D25/124
837,014	11/1906	Wege	52/827
1,265,990	5/1918	Benner	D25/123
1,900,769	3/1933	Schemmel	D25/124
3,238,687	3/1966	Tisbo	D25/119
3,902,703	9/1975	Bouye	256/65

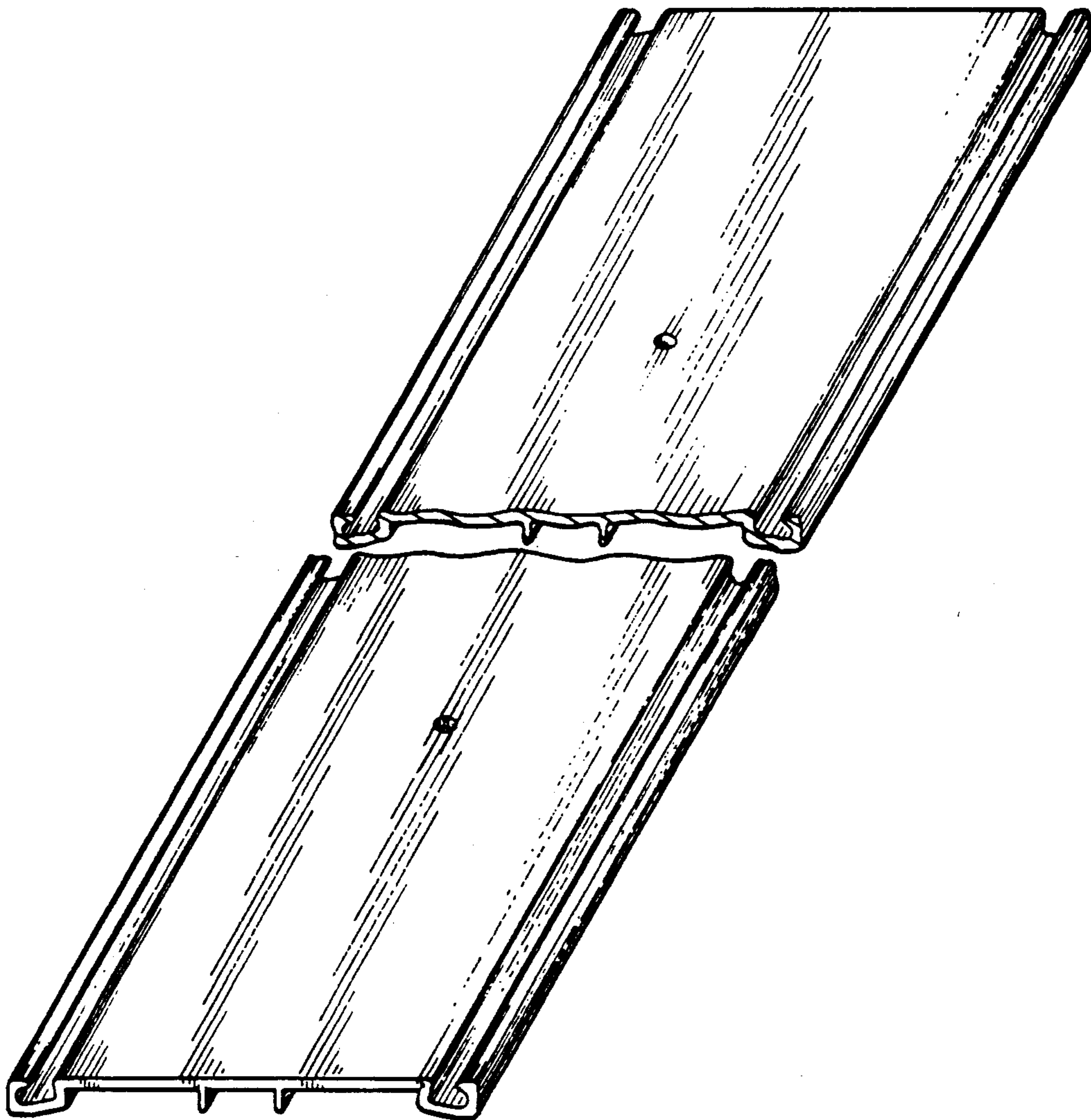


Fig. 1

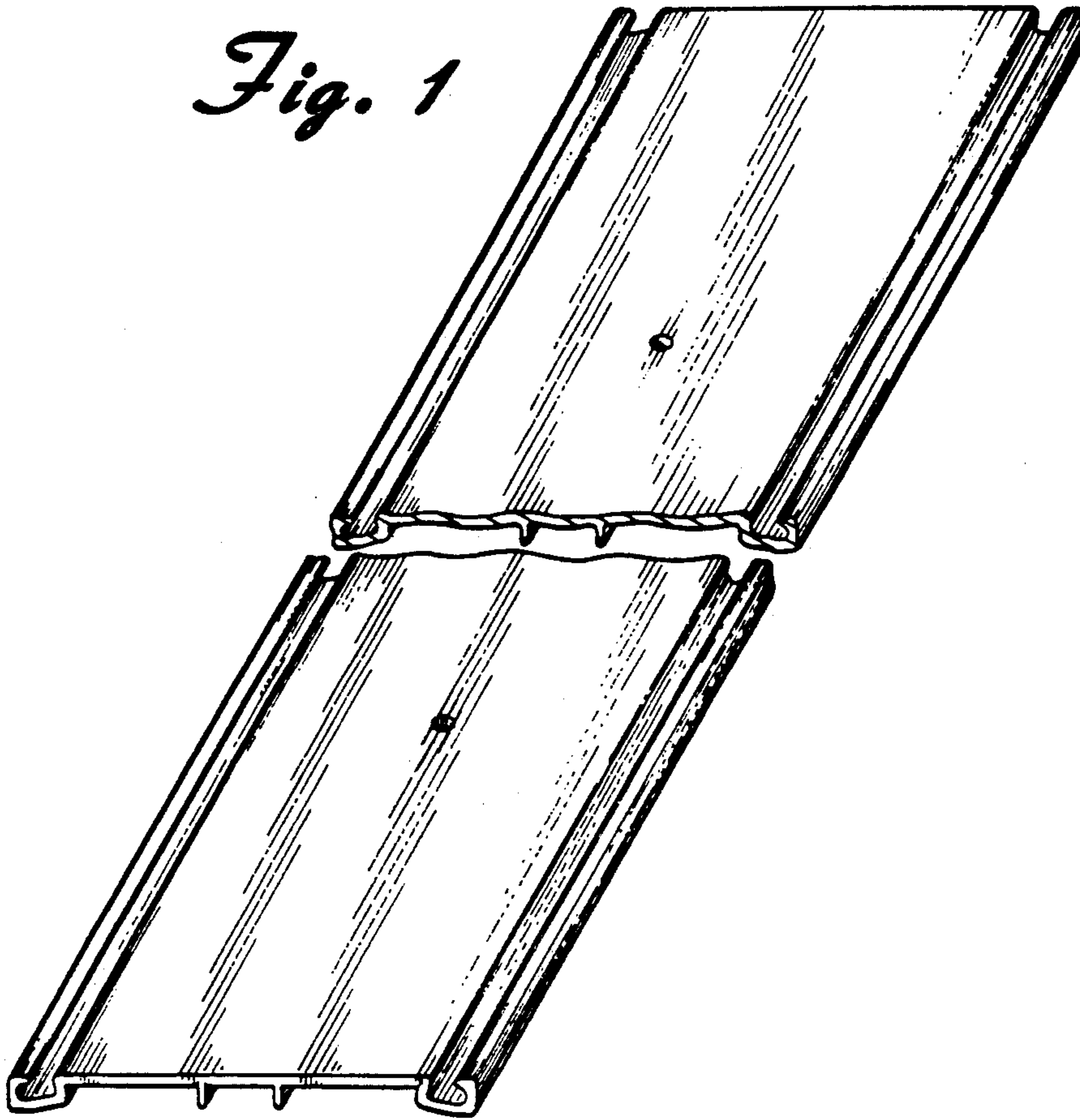


Fig. 2

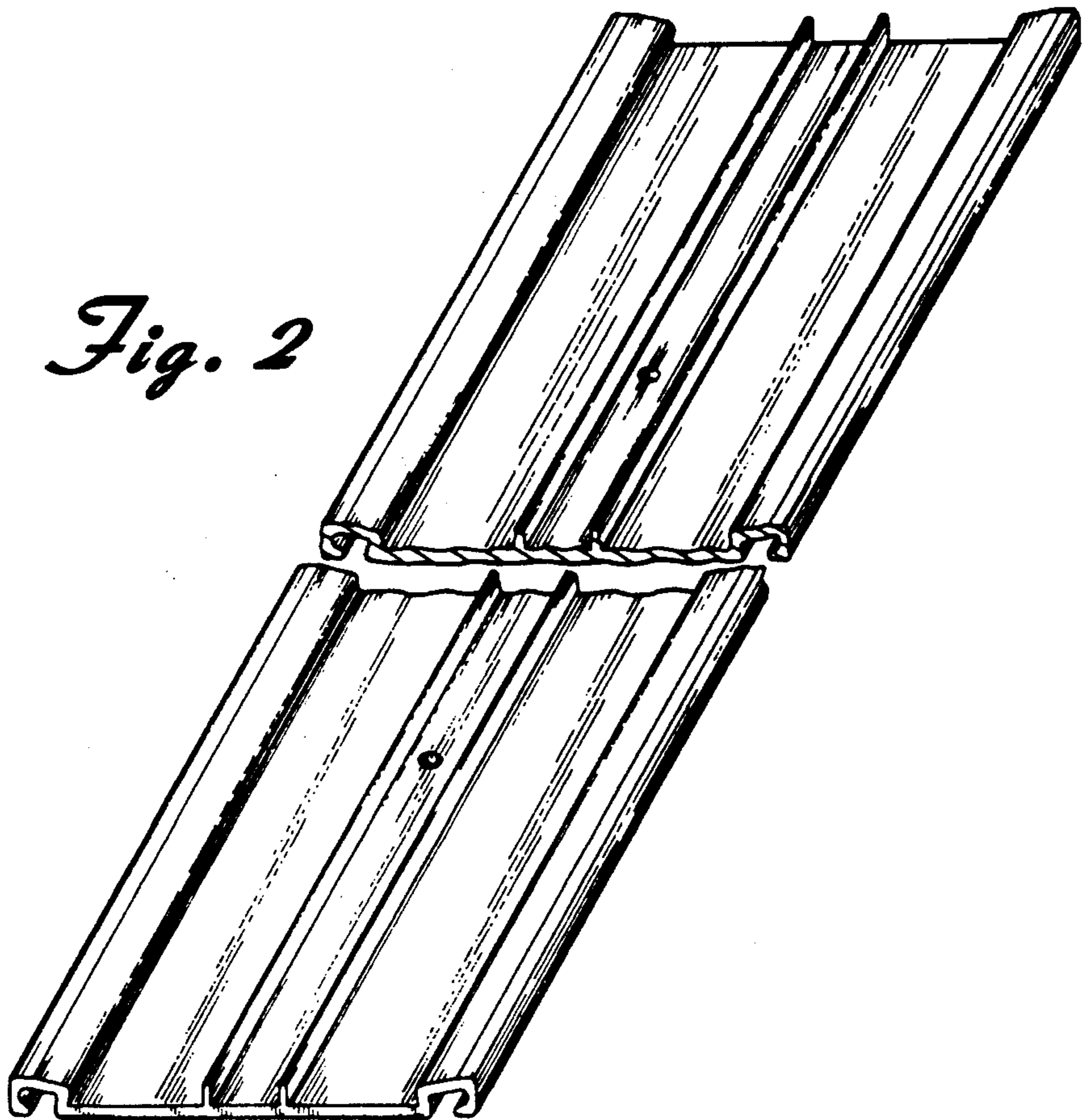


Fig. 3

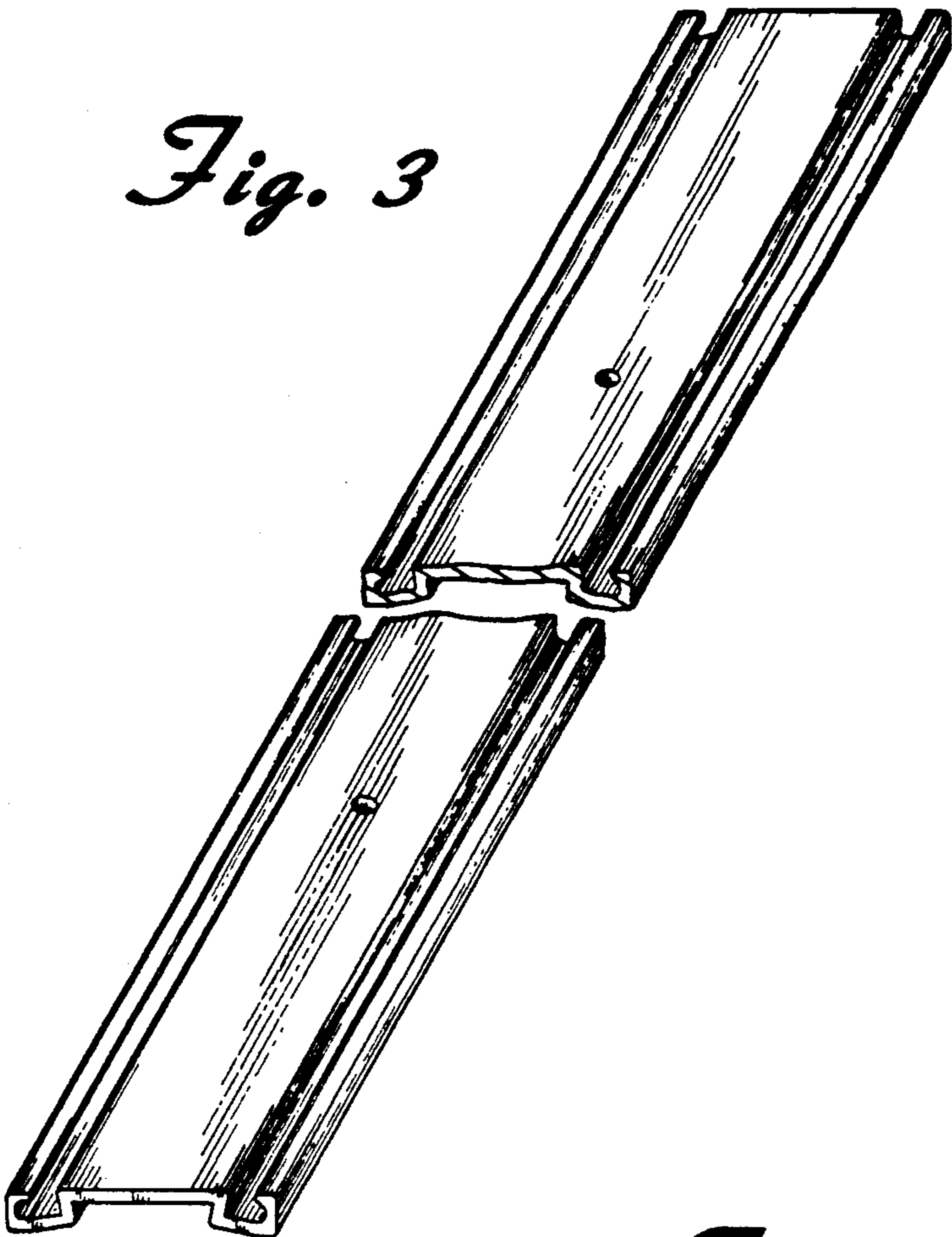


Fig. 4

