



US00D343904S

# United States Patent [19]

[11] Patent Number: **Des. 343,904**

Silver et al.

[45] Date of Patent: **\*\* Feb. 1, 1994**

[54] **CENTRIFUGE**

[75] Inventors: **Jerry B. Silver**, Newport Beach;  
**John McGettrick**, San Clemente,  
both of Calif.

[73] Assignee: **Davstar California, Inc.**, Newport  
Beach, Calif.

[\*\*] Term: **14 Years**

[21] Appl. No.: **849,974**

[22] Filed: **Mar. 12, 1992**

[52] U.S. Cl. .... **D24/219**

[58] Field of Search ..... 494/16, 20, 21, 26,  
494/40, 38, 60; D24/219

[56] **References Cited**

**U.S. PATENT DOCUMENTS**

- D. 126,851 4/1941 Goldstein ..... D24/219
- D. 179,297 11/1956 Isreeli ..... D24/219 X
- D. 303,570 9/1989 Eberle ..... D24/219

**OTHER PUBLICATIONS**

Sargert Welch Laboratory Instruments "Centrifuges"  
p. 228 @ 1979 Ex room.

VWR Scientific "Centrifuges" p. 244, 256 257  
1989-1990 Catalog @ 1989 Ex room.  
American Scientific Products "Centrifuges" p. 254, 255  
1981-1982 Catalog Ex room.

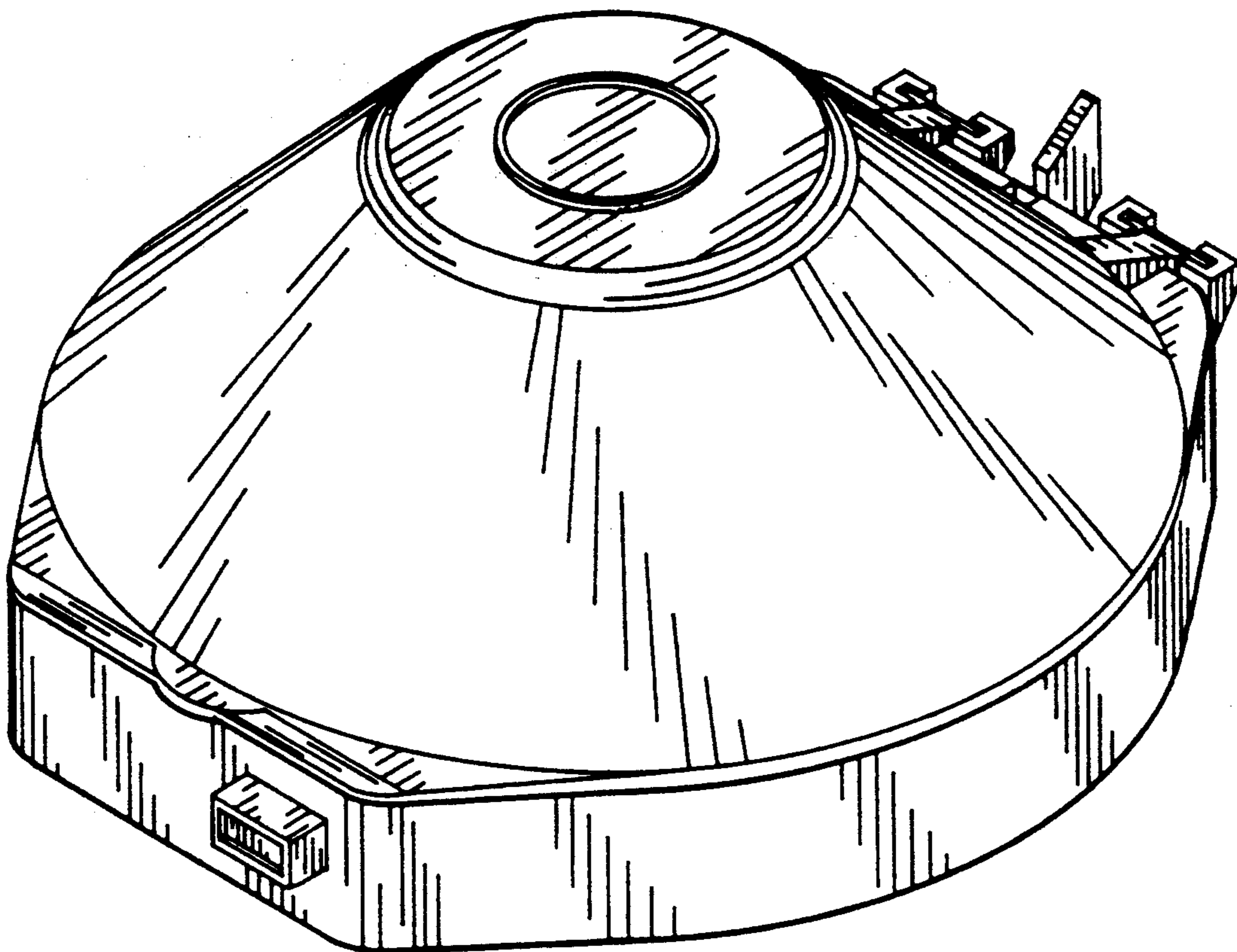
*Primary Examiner*—A. Hugo Word  
*Assistant Examiner*—I. Simmons  
*Attorney, Agent, or Firm*—Michael J. Ram

[57] **CLAIM**

The ornamental design for a centrifuge, as shown and  
described.

**DESCRIPTION**

FIG. 1 is a front right perspective view of a centrifuge  
showing our new design;  
FIG. 2 is a front right perspective view of a second  
embodiment of a centrifuge showing our new design;  
FIG. 3 is a left rear perspective view of FIG. 1;  
FIG. 4 is a top plan view thereof;  
FIG. 5 is a front elevational view thereof;  
FIG. 6 is a right side elevational view thereof, the left  
side elevational view being identical thereto;  
FIG. 7 is a rear elevational view thereof; and,  
FIG. 8 is a perspective view thereof, with the cover in  
open position.



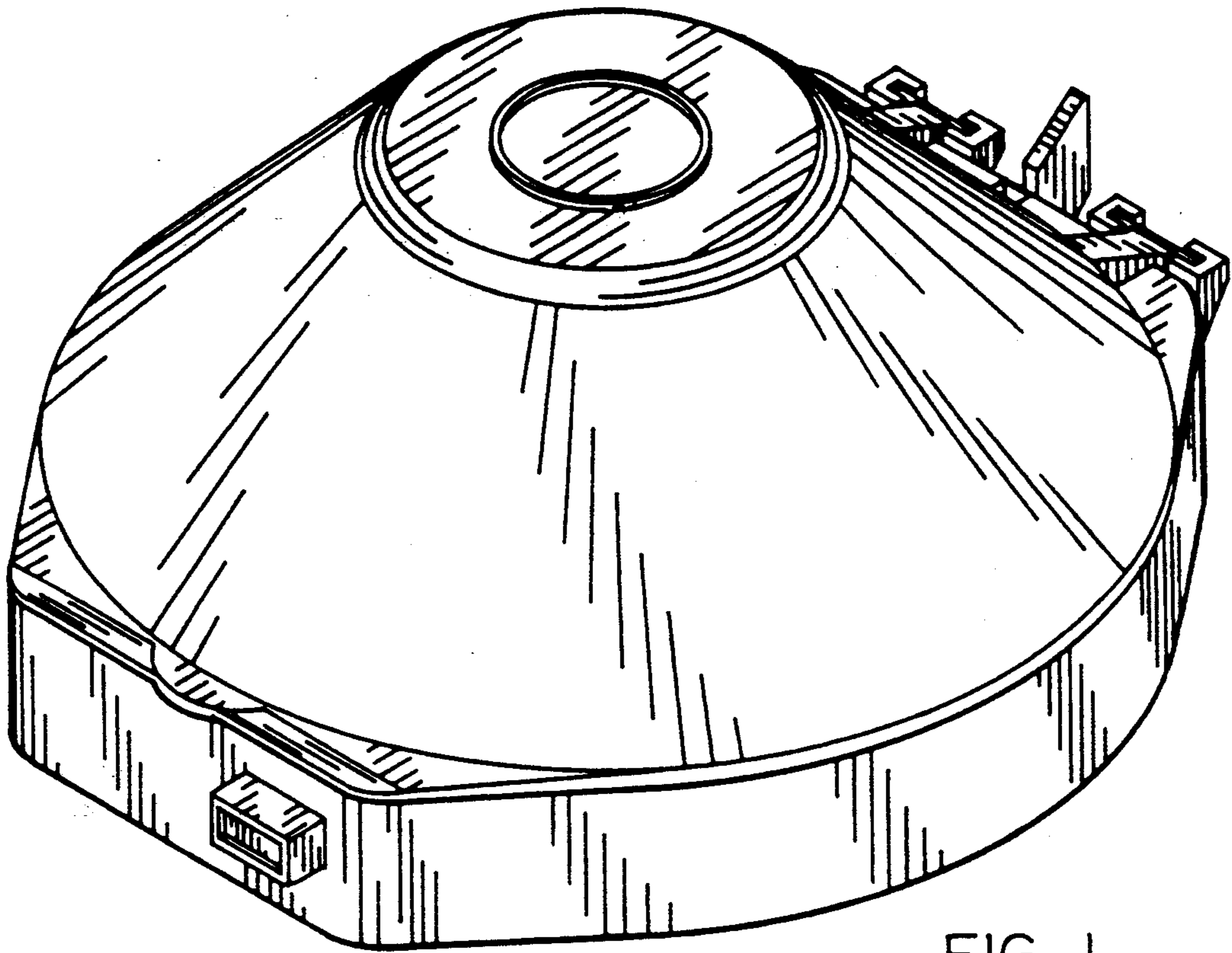


FIG. 1

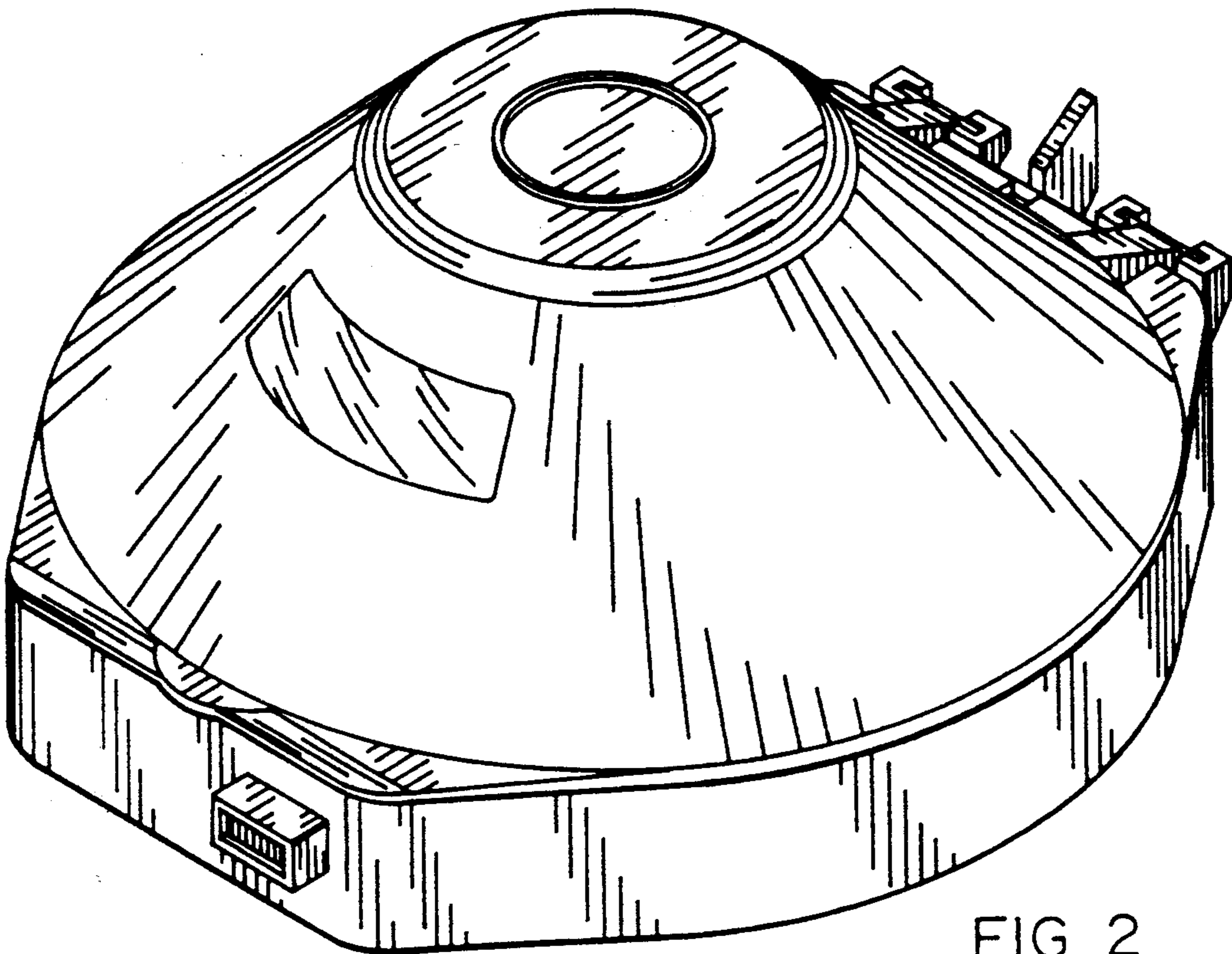


FIG. 2

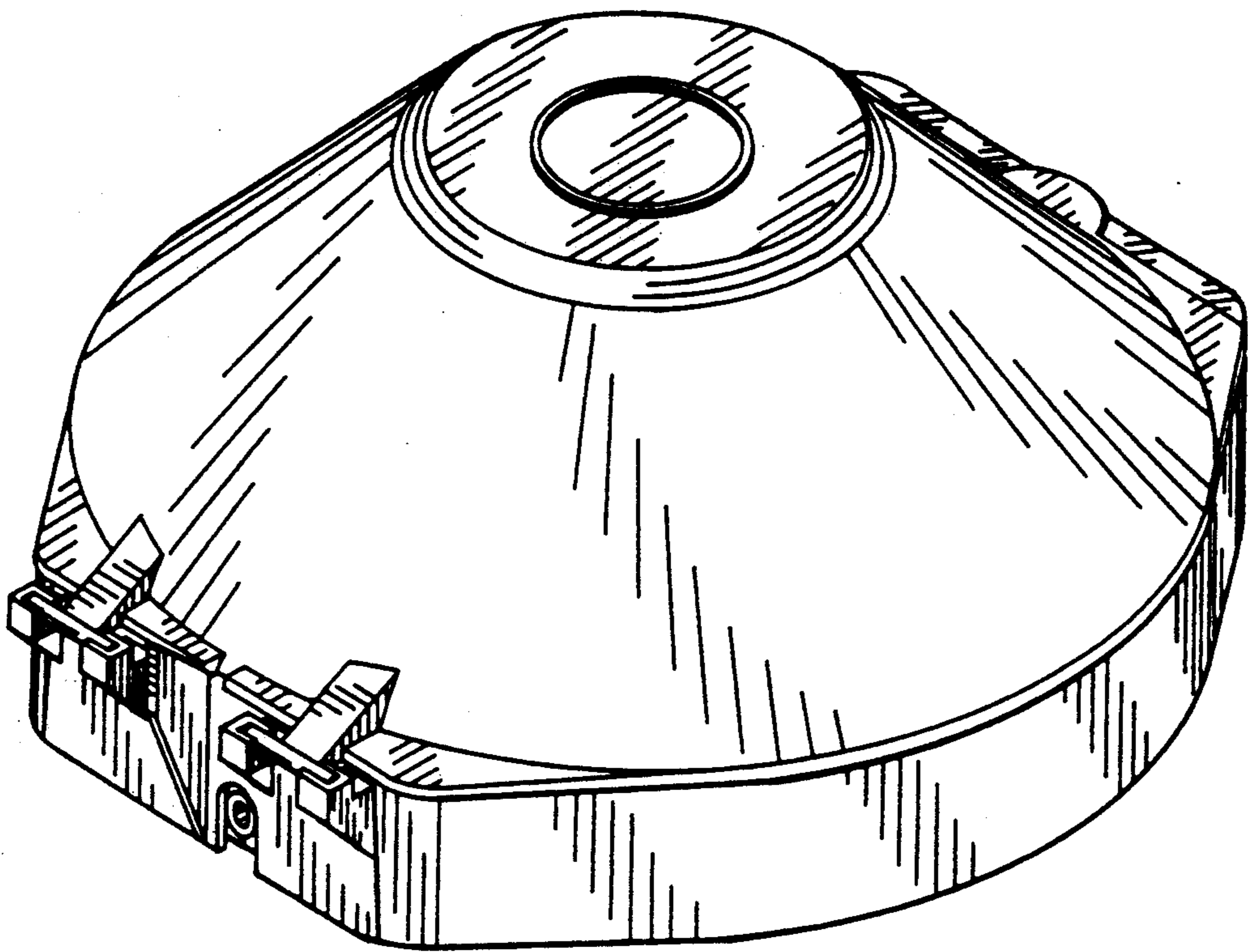


FIG. 3

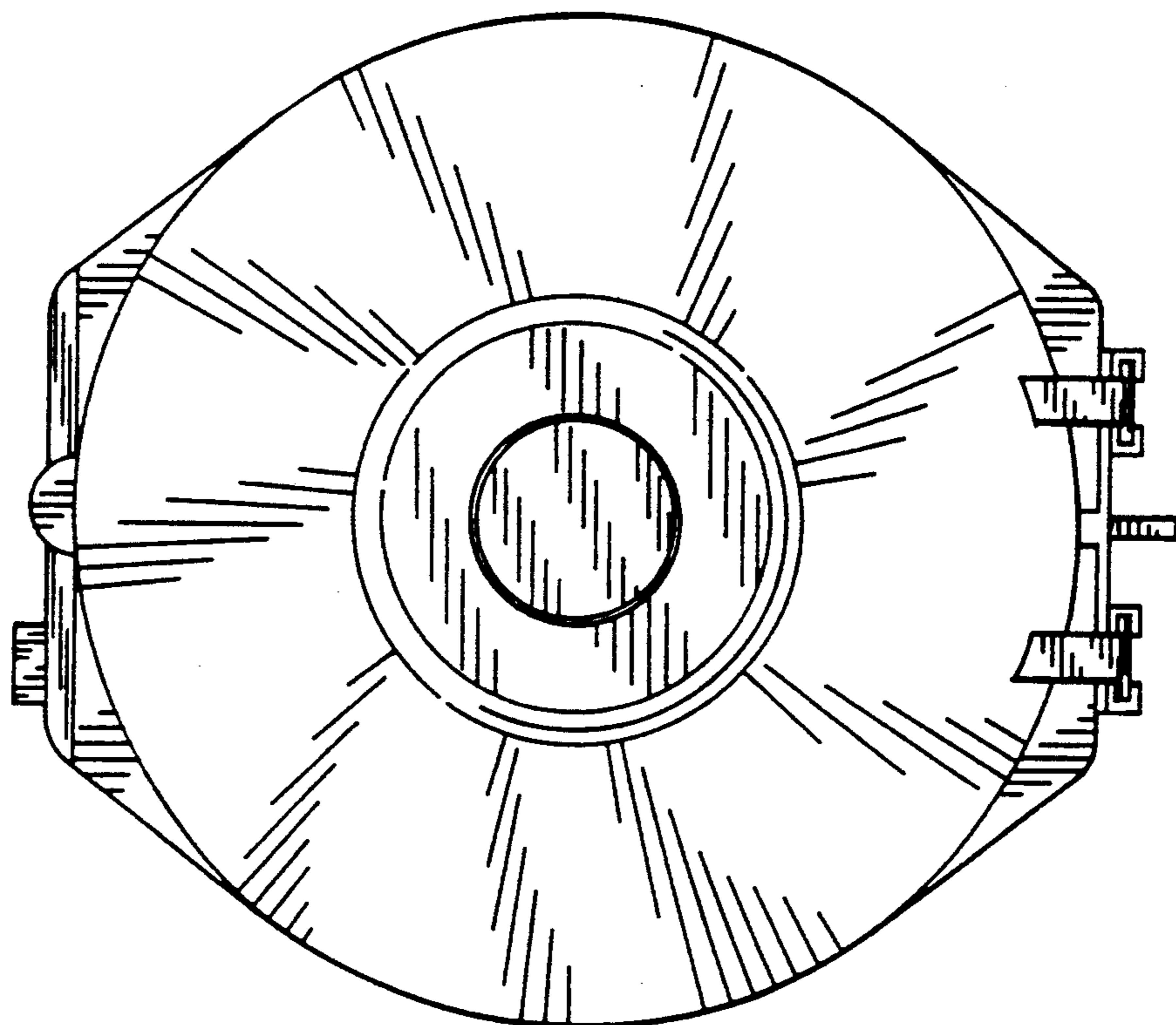


FIG. 4

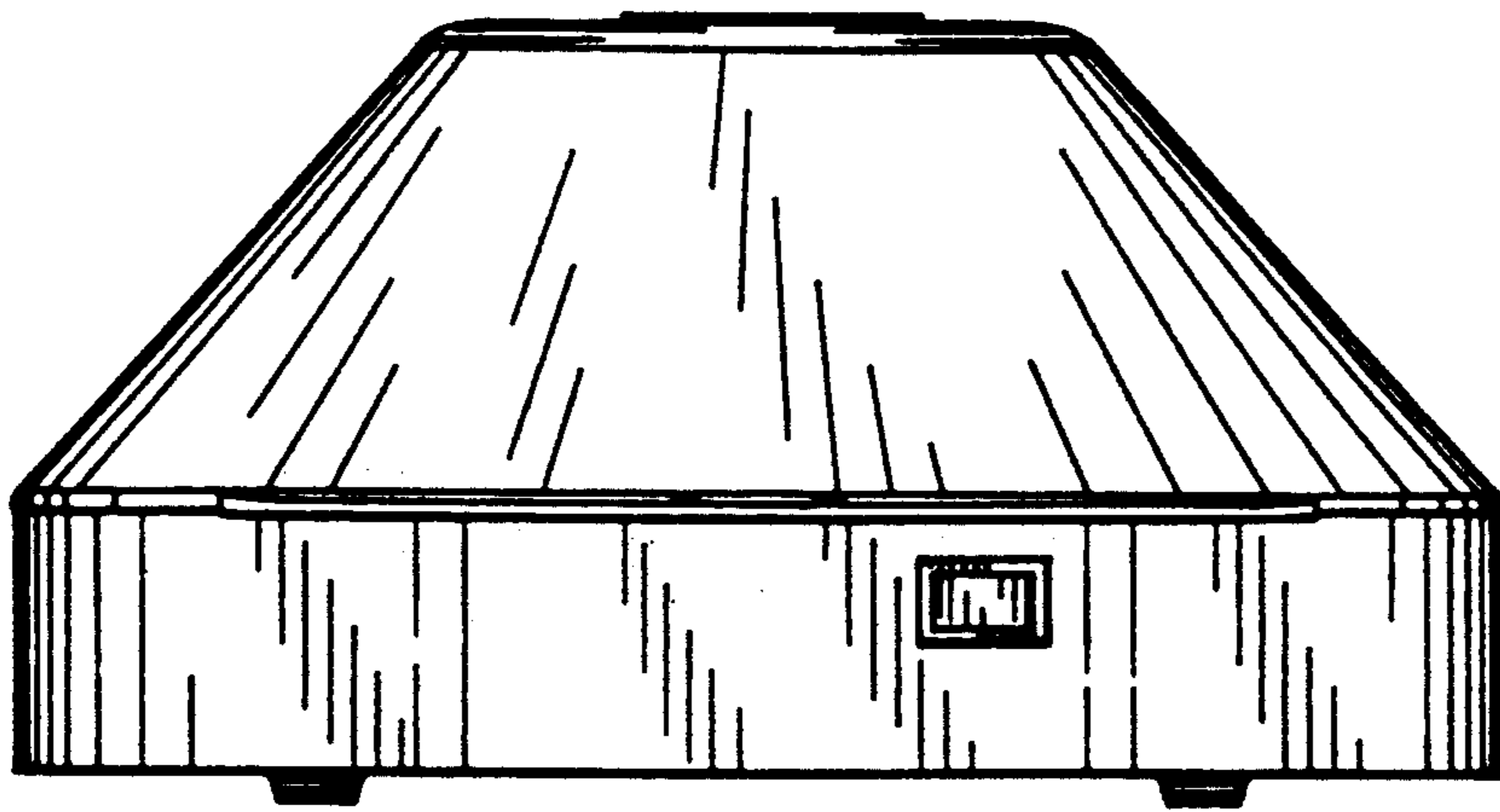


FIG. 5

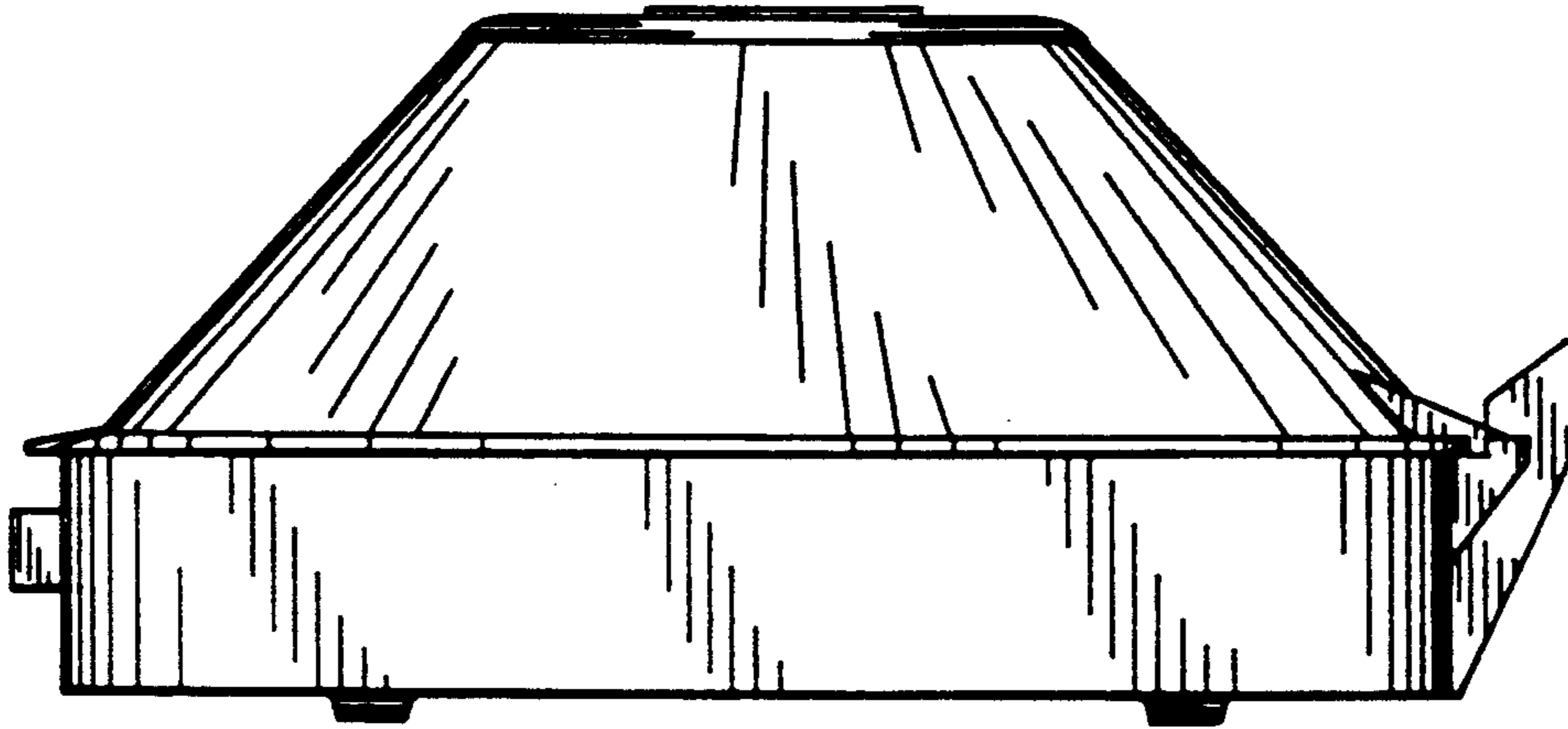


FIG. 6

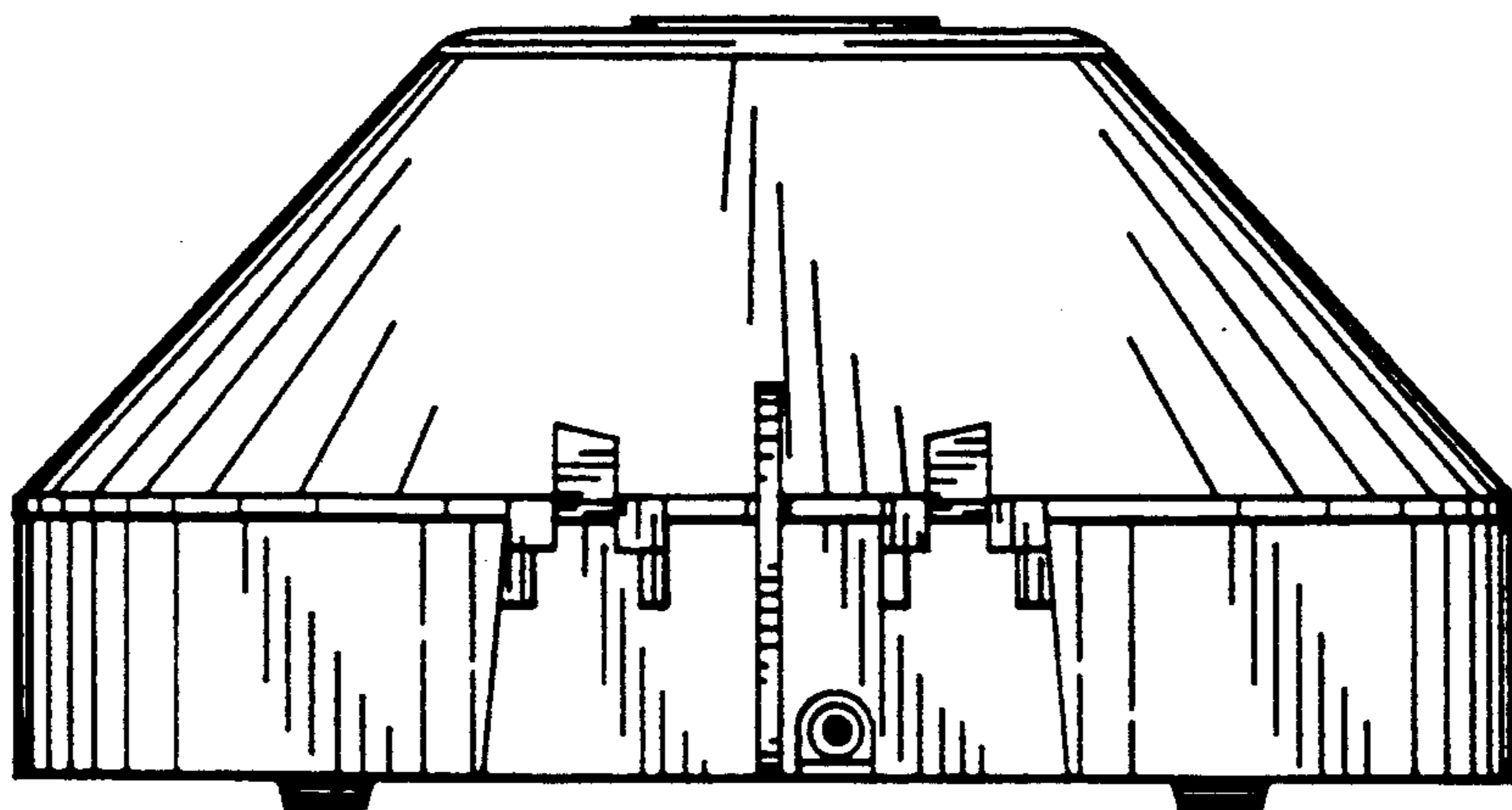


FIG. 7

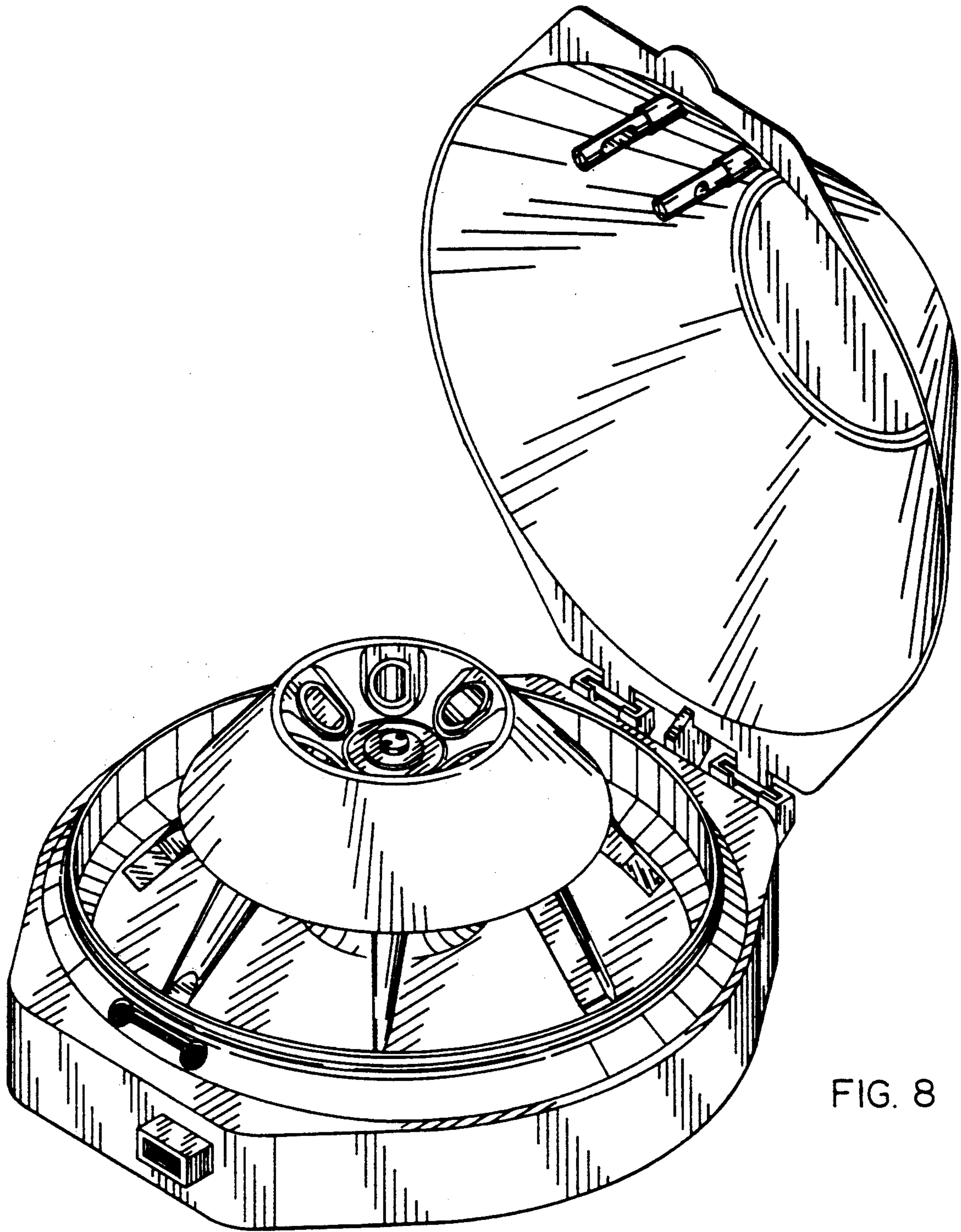


FIG. 8